

ODC Series DC Output Module

c **us** File E29244

Users should thoroughly review the technical data before selecting a product part number. It is recommended that users also seek out the pertinent approvals files of the agencies/laboratories and review them to ensure the product meets the requirements for a given application.

Features

- Industry standard package and pin-out.
- Color coded by function.
- 4000V rms optical isolation.
- High immunity to false operation.
- Series compatible.
- Output modules can be controlled from sinking or sourcing logic.
- Compatible with 2IO series mounting boards.

Engineering Data

Switch Form: 1 Form A (SPST-NO)
Duty: Continuous.
Operating Temperature: -30°C to +80°C.
Storage Temperature: -30°C to +100°C.
Potting Compound Flammability: UL94V-0.
Approximate Weight: 1.38 oz. (35g).

Ordering Information

Typical Part Number >

ODC -5 A

1. Basic Series: ODC = DC Output module — red case

2. Input Voltage: 5 = 5VDC
 15 = 15VDC
 24 = 24VDC

3. Output: Blank = 3A, 3-60VDC output**
 A = 1A, 3-250VDC output**

** Is not polarity sensitive.

Our authorized distributors are more likely to maintain the following items in stock for immediate delivery.

ODC-5
 ODC-5A
 ODC-15
 ODC-15A
 ODC-24

Input Specifications

Parameter	Conditions	Units	ODC-5 ODC-5A			ODC-15 ODC15A			ODC-24 ODC-24A		
			Min.	Typ.	Max.	Min.	Typ.	Max.	Min.	Typ.	Max.
Control Voltage Range V_{IN}		VDC	3	5	8	9	15	18	18	24	32
Must Operate Voltage $V_{IN(OP)}$		VDC			3			9			18
Must release Voltage $V_{IN(REL)}$		VDC	1			1			1		
Maximum Input Current	@ V_{IN} =Nominal	mADC		8 - 20			13 - 20			8 - 20	
Input Resistance R_{IN}		Ohms	Current Regulator								

PIN-3 must be positive with respect to PIN-4 for correct operation.

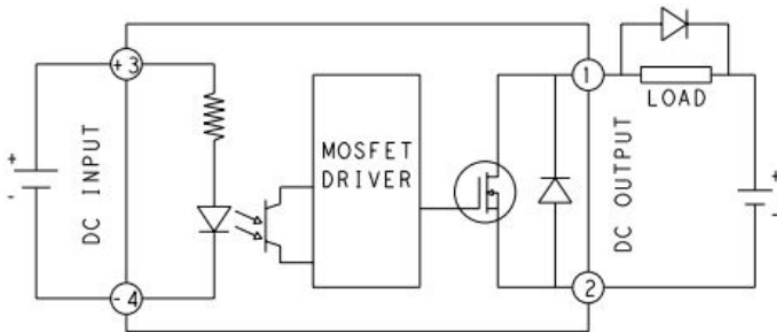
ODC Series (Continued)
DC Output Module

Output Specifications (@ +25°C unless otherwise specified)

Parameter	Conditions	Units	ODC-5			ODC-5A		
			ODC-15		ODC-24	ODC-15A		ODC-24A
			Min.	Typ.	Max.	Min.	Typ.	Max.
Load Voltage V_L		VDC	3		60	3		250
Load Current I_L		ADC		3			1	
Maximum Surge Current for 1 Second		ADC		33			8	
Maximum Leakage Current (Off-State)	$V_L=MAX$	μADC			500			500
Maximum On-State Voltage Drop	$I_L=MAX$	VDC			1.5			1.5
Maximum Turn-On Time		ms			0.1			0.1
Maximum Turn-Off Time		ms			0.75			0.75

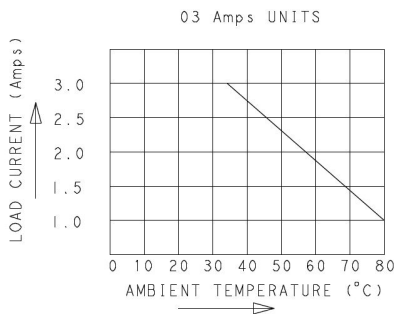
PIN-1 must be positive with respect to PIN-2 for correct operation.

ODC Operating Diagram

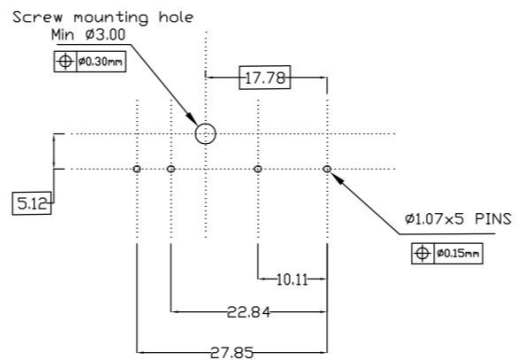


ODC Derating Diagram

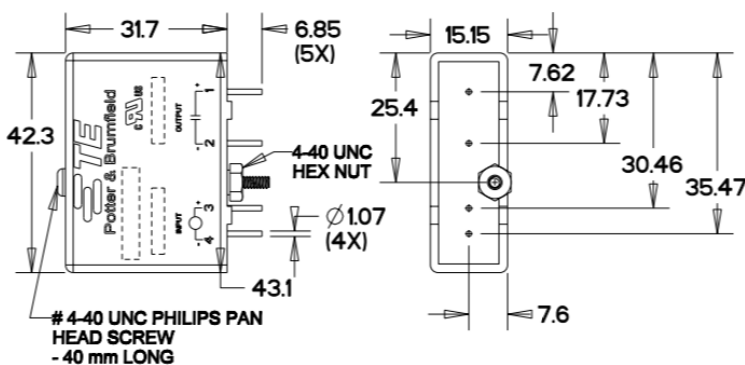
DERATING CURVE:



PCB Layout



Outline Dimensions



Note : Extra nut and washer will be provided on the screw, which will go under PCB to fix the relay.

Hex Nut S= 6.35 (width across flats)
Thickness = 2.40
Washer = OD : $\Phi 4.85 \pm 0.25$
ID : $\Phi 2.75 \pm 0.15$
Thickness : 0.55

DIMENSION IN mm

Mouser Electronics

Authorized Distributor

Click to View Pricing, Inventory, Delivery & Lifecycle Information:

[TE Connectivity:](#)

[ODC-5](#) [ODC-24](#) [ODC-15A](#) [ODC-5A](#) [ODC-15](#) [ODC-24A](#)