



# Printed Circuit Board Terminals and Disconnects

RoHS  
Ready 

 **Tyco Electronics**  
Our commitment. Your advantage.

## Table of Contents

### Disclaimer

While Tyco Electronics Corporation and its affiliates referenced herein ("Tyco Electronics") have made every reasonable effort to ensure the accuracy of the information in this catalog, Tyco Electronics does not guarantee that it is error-free, nor does Tyco Electronics make any other representation, warranty or guarantee that the information is accurate, correct, reliable or current.

Tyco Electronics reserves the right to make any adjustments to the information contained herein at any time without notice. Tyco Electronics expressly disclaims all implied warranties regarding the information contained herein, including, but not limited to, any implied warranties of merchantability or fitness for a particular purpose. Tyco Electronics' only obligations are those in the Tyco Electronics Standard Terms and Conditions of Sale, and in no case will Tyco Electronics be responsible for any incidental, indirect, or consequential damages arising from the sale, resale, use, or misuse of its products. Users should independently evaluate the suitability of, and test each product for, their application.

The dimensions, specifications, designs, construction, materials and processes in this catalog are for reference purposes only and are subject to change without notice. Please consult Tyco Electronics for the most current product information.

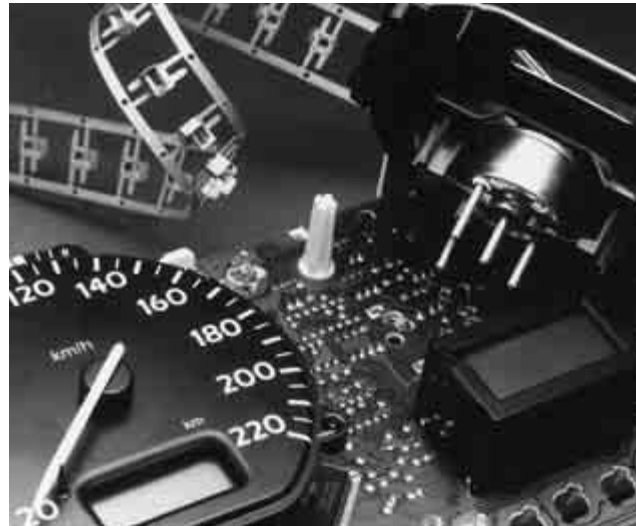
The export of certain Tyco Electronics products is restricted by the Arms Export Control Act (Title 22, U.S.C. Sec 2751, et seq.) or the Export Administration Act of 1979, as amended (Title 50, U.S.C., App. 2401 et seq.). Orders may be subject to export approval by the U.S. Government. Buyer must comply with all applicable export laws of all applicable jurisdictions.

© Copyright 2007, 1997, 1994, 1993, 1989 and 1986 by Tyco Electronics Corporation. All International Rights Reserved.

AMP, ACTION PIN, AMP-BARREL, AMP EDGE, AMP-IN, AMP MONO-SHAPE, AMP-O-ELECTRIC, AMPOMATOR, Comp-U-Sertor, FASTON, MAG-MATE, QUADRA-MATE, TE LOGO and TYCO ELECTRONICS are trademarks of Tyco Electronics Corporation.

Other products, logos, and company names mentioned herein may be trademarks of their respective owners.

**See inside back cover for Global Contacts and phone numbers.**



Printed Circuit Board PCB Pin Receptacles

### Need more information?

Call Technical Support at the numbers listed below.

Technical Support is staffed with specialists well versed in all Tyco Electronics products. They can provide you with:

- Technical Support
- Catalogs
- Technical Documents
- Product Samples
- Tyco Electronics Authorized Distributor Locations

|  |         |
|--|---------|
| Table of Contents                                  | 2, 3    |
| Printed Circuit Board (PCB) Pin Receptacles        | 4 - 5   |
| Printed Circuit Board (PCB) Receptacles            | 6 - 7   |
| FASTON Printed Circuit Board Tabs and Receptacles  | 8 - 16  |
| AMP-BARREL Terminals                               | 17 - 19 |
| AMP-BARREL Terminals - Application Tooling         | 20      |
| QUADRA-MATE Wire-to-Printed Circuit Board Terminal | 21 - 22 |
| Printed Circuit Board Disconnects                  | 23 - 25 |
| AMP EDGE Single Head Printed Circuit Terminals     | 26, 27  |
| Miniature AMP-IN Terminals                         | 28, 29  |
| Low Profile Miniature AMP-IN Connectors            | 30      |
| Test Probe Receptacles                             | 31      |
| Power Taps   | 32 - 36 |
| Application Tooling                                | 37 - 39 |
| Part Number Index                                  | 40      |

### Restriction on the use of Hazardous Substances (RoHS)

At Tyco Electronics, we're ready to support your RoHS requirements. We've assessed more than 1.5 million end items/components for RoHS compliance, and issued new part numbers where any change was required to eliminate the restricted materials. Part numbers in this catalog are identified as:

**RoHS Compliant** — Part numbers in this catalog are RoHS Compliant, unless marked otherwise. These products comply with European Union Directive 2002/95/EC as amended 1 January 2006 that restricts the use of lead, mercury, cadmium, hexavalent chromium, PBB, and PBDE in certain electrical and electronic products sold into the EU as of 1 July 2006.

**NOTE:** For purposes of this Catalog, included within the definition of RoHS Compliant are products that are clearly "Out of Scope" of the RoHS Directive such as hand tools and other non-electrical accessories.

**NOTE:** Information regarding RoHS compliance is provided based on reasonable inquiry of our suppliers and represents our current actual knowledge based on the information provided by our suppliers. This information is subject to change. For latest compliance status, refer to our website referenced at right.

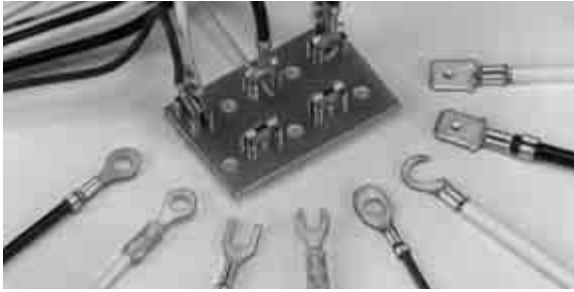
### Getting the Information You Need

Our comprehensive on-line RoHS Customer Support Center provides a forum to answer your questions and support your RoHS needs. A RoHS FAQ (Frequently Asked Questions) is available with links to more detailed information. You can also submit RoHS questions and receive a response within 24 hours during a normal work week. The Support Center also provides:

- Cross-Reference from Non-compliant to Compliant Products
- Ability to browse RoHS Compliant Products in our on-line catalog
- Downloadable Technical Data Customer Information Presentation
- More detailed information regarding the definitions used above
- So whatever your questions when it comes to RoHS, we have the answers at [www.tycoelectronics.com/leadfree](http://www.tycoelectronics.com/leadfree)

**RoHS**  
Customer  
Support  
Center

**Table of Contents** (Continued)



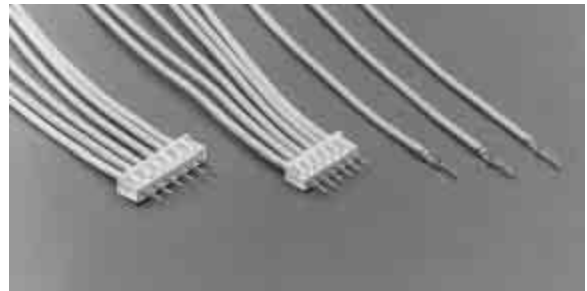
Printed Circuit Board (PCB) Receptacles



Miniature AMP-IN Terminals



AMP-BARREL Terminals



Low Profile Miniature AMP-IN Connectors



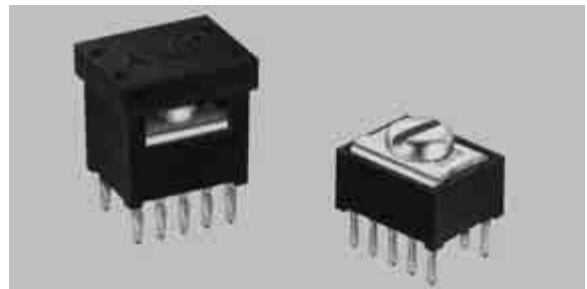
Printed Circuit Board Disconnects



Test Probe Receptacles



AMP-IN and AMP EDGE Terminals

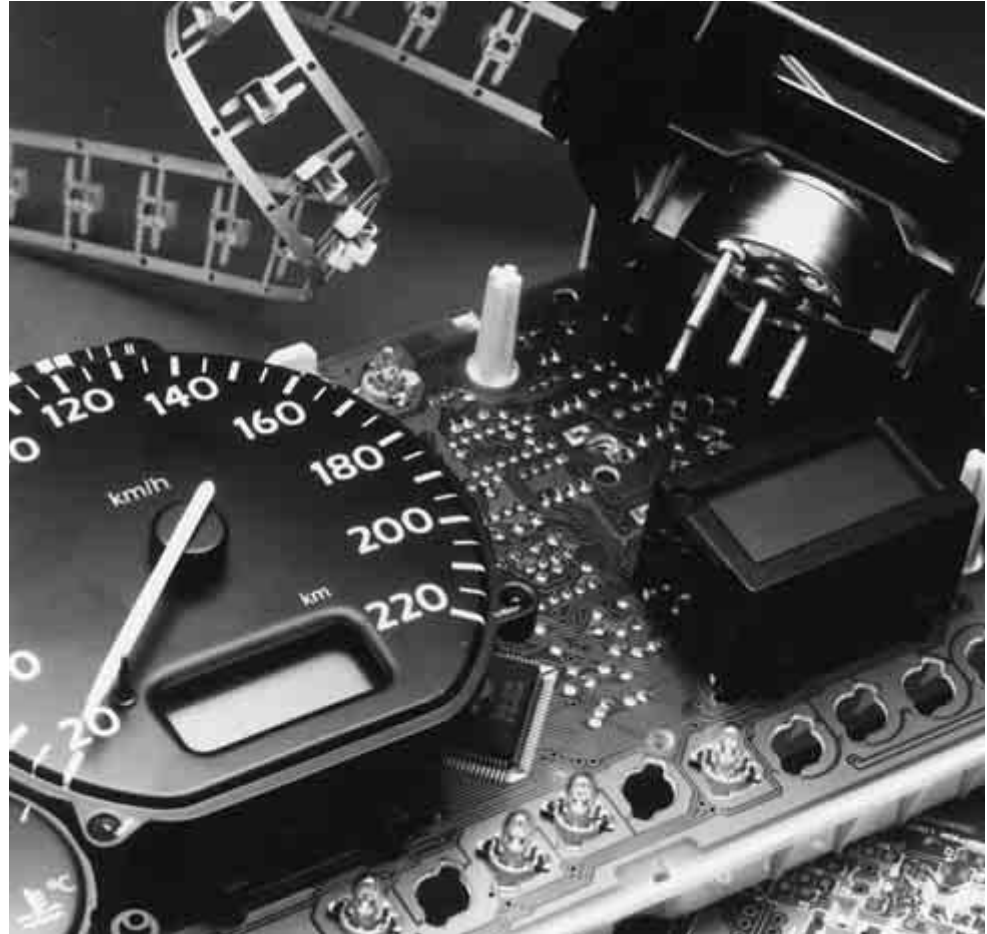


Power Taps

## Printed Circuit Board (PCB) Pin Receptacles

### Product Facts

- Components with pin contact can be easily inserted into the printed circuit board after the pin receptacles are flow soldered
- The receptacles hold the pins from the components without the necessity of soldering
- Components can be easily removed from the printed circuit board for replacement or repair
- Components with pin contacts may be mated and unmated 10 times
- The receptacle contacts are securely clinched to the printed circuit board prior to soldering
- The receptacles are machine applied by semiautomatic and automatic insertion equipment
- Components may be inserted from either side of the printed circuit board



### Technical Documents

**Product Specification**  
108-1411

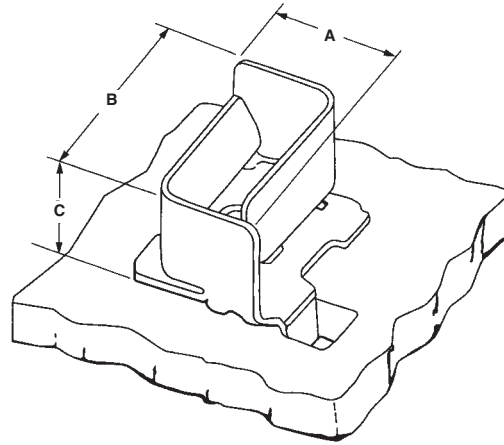
**Application Specification**  
114-2127

The Printed Circuit Board Pin Receptacle provides a reliable and cost effective means of attaching components with pin contacts to a printed circuit board. Components are held in place without solder allowing for their easy removal from the printed circuit board for replacement or repair. Receptacle contacts are inserted and securely clinched to the printed circuit board by means of semiautomatic or automatic machines.

**Printed Circuit Board (PCB) Pin Receptacles** (Continued)

**Material and Finish**

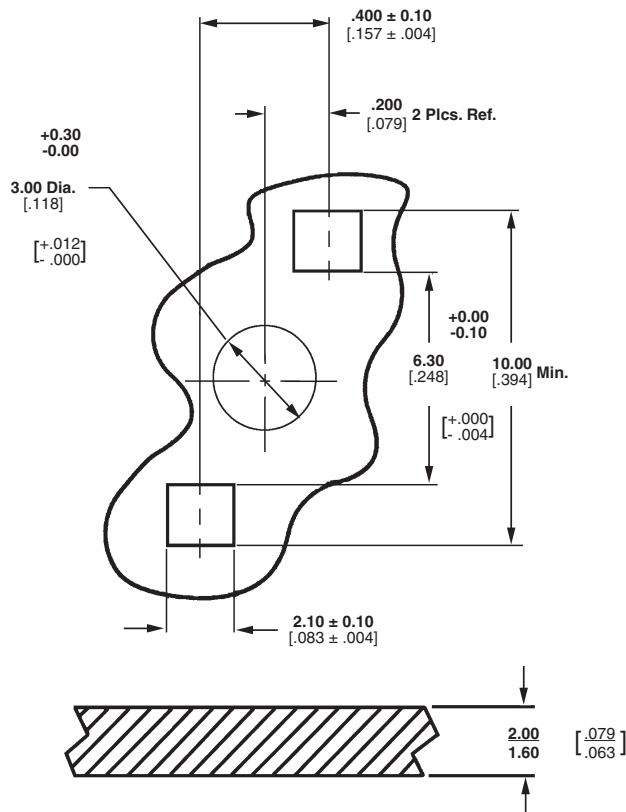
Tin plated phosphor bronze



| Mating Pin Dia.               | PCB Thickness                 | Dimensions          |                     |                     | Receptacle Part No. | Insertion Head <sup>1</sup> |
|-------------------------------|-------------------------------|---------------------|---------------------|---------------------|---------------------|-----------------------------|
|                               |                               | A                   | B                   | C                   |                     |                             |
| <b>.088-.093</b><br>2.24-2.36 | <b>.063-.079</b><br>1.60-2.01 | <b>.236</b><br>5.99 | <b>.276</b><br>7.01 | <b>.181</b><br>4.60 | 63566-1             | 904608-1                    |
| <b>.098</b><br>2.49           | <b>.063-.079</b><br>1.60-2.01 | <b>.236</b><br>5.99 | <b>.276</b><br>7.01 | <b>.181</b><br>4.60 | 63572-1             | 853439-3                    |

<sup>1</sup>For use with either AMP FHS Bench Machine 464300-1 or AMP Comp-U-Sertor II Machine 122300-1.  
**Note:** Part Numbers are RoHS compliant except: ♦ Indicates non-RoHS compliant.

**Recommended PCB Layout**



## Printed Circuit Board (PCB) Receptacles

### Product Facts

- Receptacles accept all .250 x .016 [6.35 x 0.41] thick terminal configurations
- Receptacles available for .250 x .032 [6.35 x 0.81] thick FASTON tab terminals
- Receptacles available for prepress termination of 24-22 AWG [0.2 - 0.4 mm<sup>2</sup>] solid wire using displacement crimp technique
- Available in tin-plated brass
- No tooling needed to insert or remove terminals
- Continuous strip contacts allow high-speed application with single or multiple-head insertion machines
- An economical means of retrofitting and field replacing wire-to-board connections

### Technical Documents

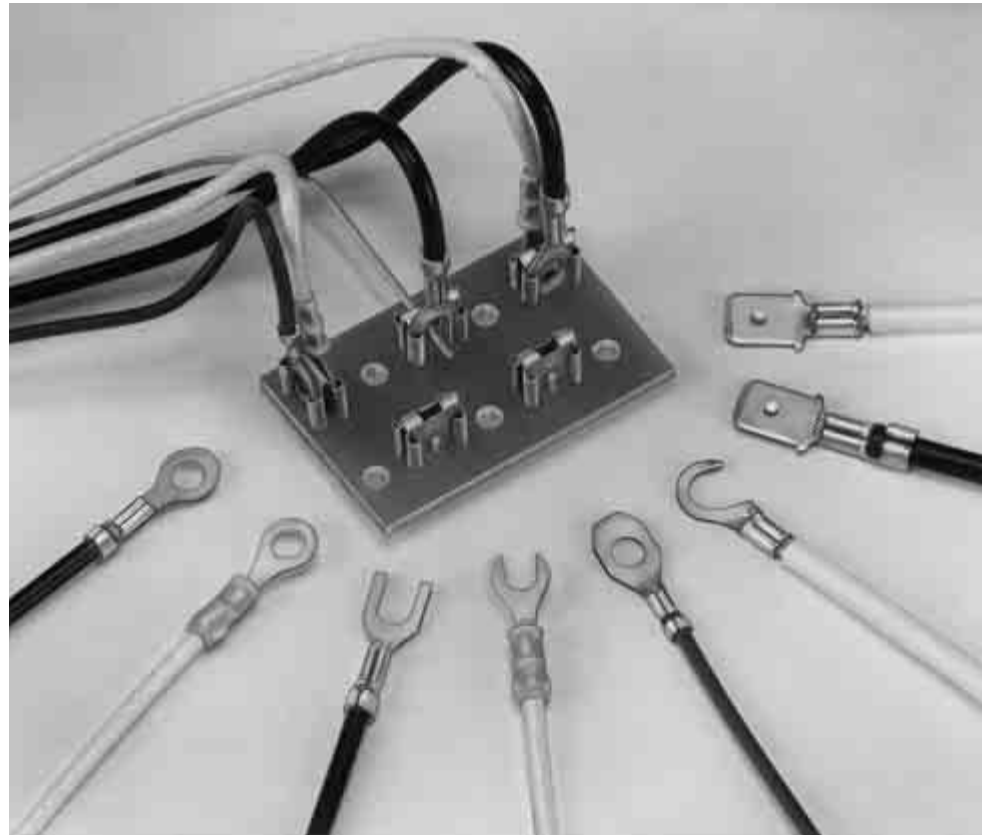
#### Product Specification

108-2005 Receptacle, Spade, PCB

#### Application Specifications

114-2001 Receptacle, PCB

114-2037 Receptacle, PCB, Clinchable



The Printed Circuit Board Receptacle is used in wire-to-printed circuit board terminations. Wires may be terminated with terminals having tongue widths and thicknesses of .250 x .016 [6.35 x 0.41] and FASTON tab terminals of .250 x .032 [6.35 x 0.81]. These terminated wires are plugged into the receptacle and may be removed and replugged as required. An added feature is the ability of one receptacle to accept a 24-22 AWG [0.2-0.4 mm<sup>2</sup>] unterminated solid wire as well as a terminated wire.

The receptacle has applications in all industries requiring wire-to-pc board applications both in new equipment and existing equipment. The purpose

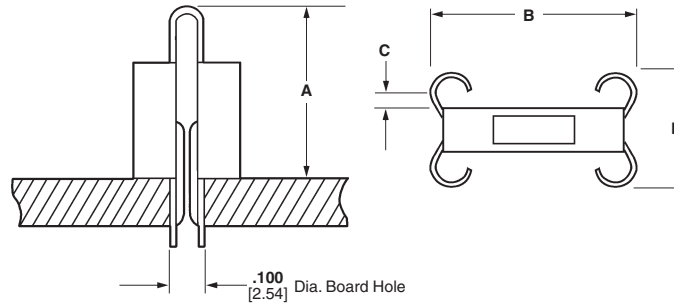
of its design is to allow field replacement without costly retrofitting. In new equipment, the pc board receptacle can be used to give flexibility in selection of wire termination, including tongue, fork, open barrel, and FASTON tabs. This receptacle also has the ability to replace screw and nut arrangements. In existing equipment, the receptacle is just as versatile and can be used for field replacement where the original wire termination remains the same, but the board layout changes. In essence, it allows you to plug the previously terminated wires into the new model without costly changes to wire termination tooling.

The pc board receptacle is a cost saving design that gives you a wide selection of wire termination alternatives. It is used in new equipment which provides versatility of connection and in old equipment to allow field replacements of units without costly retrofitting. In all cases installation of wire-to-board termination is accomplished without tools. For additional savings, the receptacle is designed to be inserted into your board by high-speed application equipment, then wave soldered giving you the lowest applied cost.

**Printed Circuit Board (PCB) Receptacles** (Continued)

**Material and Finish**

Tin plated brass



| Accepts   | Dimensions |      |      |        | Strip Form           |                                  | Loose Piece Receptacle |
|---|------------|------|------|--------|----------------------|----------------------------------|------------------------|
|   | A Max.     | B    | C    | D Max. | Receptacle           | Insertor Applicator <sup>2</sup> |                        |
| .250 x .016<br>6.35 x 0.41<br>Terminals               | .290       | .292 | .012 | .190   | 62745-1              | —                                | 62806-1                |
|   | 7.37       | 7.42 | 0.30 | 4.83   | 62111-2              | 467322-1                         |                        |
|   |            |      |      |        | 62751-1 <sup>3</sup> | 467322-2                         |                        |
| .250 x .016<br>6.35 x 0.41<br>24-22 AWG<br>Solid Wire | .290       | .292 | .012 | .190   | 62199-2              | 467322-1                         | —                      |
|   | 7.37       | 7.42 | 0.30 | 4.83   |                      |                                  |                        |
| .250 x .032<br>6.35 x 0.81<br>FASTON Tab<br>Terminals | .390       | .318 | .025 | .275   | 62172-2 <sup>1</sup> | —                                | —                      |
|   | 9.91       | 8.08 | 0.64 | 6.99   |                      |                                  |                        |

<sup>1</sup>For .123±.002 [3.12±0.05] board hole only.  
<sup>2</sup>For use with AMP "U" Frame Machine 691679-1.  
<sup>3</sup>With clinchable pcb tabs.

**Note:** Part Numbers are RoHS compliant except: ♦ Indicates non-RoHS compliant.

## FASTON Printed Circuit Board Tabs and Receptacles

### Product Facts

- Full line of PCB tabs and receptacles
- Straight and right-angle tabs available in .250, .187 and .110 series
- Receptacles produced in .250/.205 x .032 or .025. Standard or low insertion force receptacles available
- Strip product for automatic insertion
- Compatible with industry insertion equipment or full line of equipment available from Tyco Electronics



Tyco Electronics now offers a complete line of Printed Circuit Board tabs and receptacles. Tyco Electronics PCB product can be found in switches and on control boards around the world. Our product offering includes .250, .187 and .110 series vertical tabs, .250 and .187 right-angle tabs and .250/.205 vertical receptacles. Product is available in loose piece and strip form. In a short time, our product offering has grown from a handful of part numbers to dozens of parts. We continue to add to our product family as design changes, innovation and customers' requirements expand.

Insertion equipment is available for our entire strip product. The semiautomatic, air-powered Modular Insertion System (MIS) Bench machine is available for customers with moderate insertion requirements. The compact, fully automatic Comp-U-Sertor II machine is available for applications where larger volumes will be inserted and where programmable, microprocessor controlled equipment is desired. Insertion heads for both pieces of equipment are interchangeable, requiring less equipment investment. Tyco Electronics will also custom build a complete "pass through" system for high-end customer applications.

The Tyco Electronics product has been designed to be compatible with industry insertion equipment. In many cases, this product will work as a "drop in" replacement for existing product. In some cases, slight modifications or minor tooling changes are necessary. Please consult Technical Support or the Global Application Tooling Group for more details.

Tyco Electronics is one of the only companies that offers printed circuit board tabs and receptacles as well as the crimp to wire receptacles and tabs that offer a complete solution for your packaging needs.

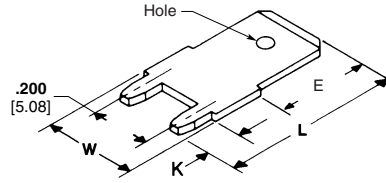


**FASTON Printed Circuit Board Tabs and Receptacles** (Continued)

**250 Series Printed Circuit Board Tabs**

**Stock Thickness** — .032 [0.81]

**Board Hole Size** —  
.055 ± .002 [1.40 ± 0.05] Dia.



| Dimensions   |               |              |               | Material and Finish | UL | SP | Terminal Part No.    |                          |
|--------------|---------------|--------------|---------------|---------------------|----|----|----------------------|--------------------------|
| W            | L             | K            | E             |                     |    |    | Strip <sup>2</sup>   | Loose Piece <sup>1</sup> |
|              | .502<br>12.75 | .125<br>3.18 | .312<br>7.92  | Tin Plated Brass    | X  | X  | 63839-1 <sup>3</sup> | —                        |
| .312<br>7.92 | .547<br>13.89 | .157<br>3.99 | .312<br>7.92  | Tin Plated Brass    | X  | X  | 63986-1              | —                        |
|              | .552<br>14.02 | .150<br>3.81 | .312<br>7.92  | Tin Plated Brass    | —  | —  | 1217566-1            | —                        |
| .295<br>7.49 | .622<br>15.80 | .125<br>3.18 | .312<br>7.92  | Tin Plated Brass    | X  | X  | —                    | 62409-1 <sup>3</sup>     |
|              | .487<br>12.37 | .125<br>3.18 | .312<br>7.92  | Tin Plated Brass    | X  | X  | 62650-1 <sup>3</sup> | —                        |
| .280<br>7.11 | .532<br>13.51 | .175<br>4.45 | .312<br>7.92  | Tin Plated Brass    | X  | X  | 63650-1 <sup>3</sup> | —                        |
|              | .622<br>15.80 | .125<br>3.18 | .452<br>11.48 | Tin Plated Brass    | X  | X  | —                    | 63900-1                  |
|              |               |              |               |                     | —  | —  | 63755-1 <sup>3</sup> | —                        |

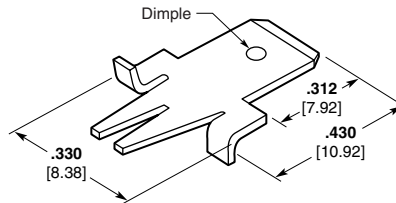
<sup>1</sup> Board Hole Size: .060/.053 [1.52/1.35] Dia.

<sup>2</sup> Insertion equipment available.

<sup>3</sup> Dimple.

**Stock Thickness** — .032 [0.81]

**Board Hole Size** —  
.100 ± .002 [2.54 ± 0.05] Dia.



| Material and Finish | UL | SP | Terminal Part No.  |             |
|---------------------|----|----|--------------------|-------------|
|                     |    |    | Strip <sup>1</sup> | Loose Piece |
| Tin Plated Brass    | X  | X  | 63066-1            | 63067-1     |

<sup>1</sup> Insertion equipment available.

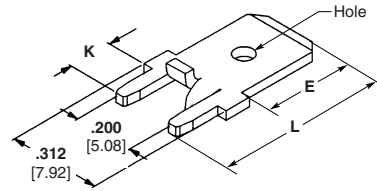
**Note:** Part Numbers are RoHS compliant except: ♦ Indicates non-RoHS compliant.

**FASTON Printed Circuit Board Tabs and Receptacles** (Continued)

**250 Series Printed Circuit Board Tabs** (Continued)

**Stock Thickness** — .032 [0.81]

**Board Hole Size** —  
.055 ± .002 [1.40 ± 0.05] Dia.

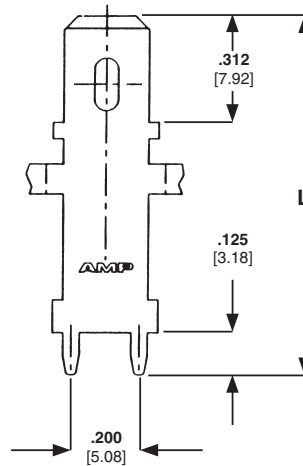


| Dimensions           |                     |                      | Material and Finish | UL | SP | Terminal Part No.      |                        |
|----------------------|---------------------|----------------------|---------------------|----|----|------------------------|------------------------|
| L                    | K                   | E                    |                     |    |    | Strip <sup>1</sup>     | Loose Piece            |
| <b>.552</b><br>14.02 | <b>.150</b><br>3.81 | <b>.312</b><br>7.92  | Tin Plated Brass    | X  | X  | 63862-1 <sup>2</sup>   | 1742188-1 <sup>2</sup> |
| <b>.582</b><br>14.78 | <b>.180</b><br>4.57 | <b>.312</b><br>7.92  | Tin Plated Brass    | X  | X  | 1217136-1              | —                      |
| <b>.650</b><br>16.51 | <b>.150</b><br>3.81 | <b>.410</b><br>10.41 | Tin Plated Brass    | X  | X  | 1217126-1 <sup>2</sup> | —                      |
| <b>.710</b><br>18.03 | <b>.150</b><br>3.81 | <b>.470</b><br>11.94 | Tin Plated Brass    | X  | X  | 1217125-1              | 1217169-1              |
| <b>.780</b><br>26.18 | <b>.150</b><br>3.81 | <b>.540</b><br>13.72 | Tin Plated Brass    | X  | X  | 1217127-1              | —                      |
|                      |                     |                      |                     | X  | X  | —                      | 1217167-1              |

<sup>1</sup> Insertion equipment available.  
<sup>2</sup> Dimple.

**Stock Thickness** — .032 [0.81]

**Board Hole Size** —  
.055 ± .002 [1.40 ± 0.05] Dia.



| Dimension L           | Material and Finish | UL | SP | Terminal Part No. |
|-----------------------|---------------------|----|----|-------------------|
| <b>1.062</b><br>26.97 | Tin Plated Brass    | X  | X  | 63949-1           |
| <b>1.207</b><br>30.66 | Tin Plated Brass    | X  | X  | 63950-1           |

**Note:** Part Numbers are RoHS compliant except: ♦ Indicates non-RoHS compliant.

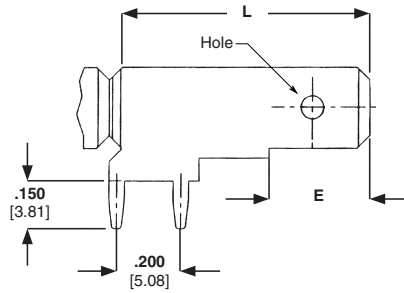
**FASTON Printed Circuit Board Tabs and Receptacles** (Continued)

**250 Series Printed Circuit Board Tabs** (Continued)

**Right-Angle Printed Circuit Board Tabs**

Stock Thickness — .032 [0.81]

Board Hole Size —  
.055 ± .002 [1.40 ± 0.05] Dia.



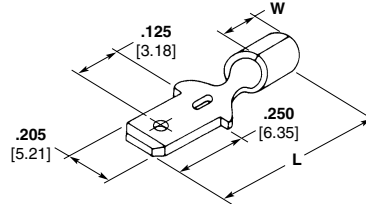
| Dimensions    |               | Material and Finish | Ⓡ | Ⓢ | Terminal Part No.  |             |
|---------------|---------------|---------------------|---|---|--------------------|-------------|
| E             | L             |                     |   |   | Strip <sup>1</sup> | Loose Piece |
| .312<br>7.92  | .800<br>20.32 | Tin Plated Brass    | X | X | 63951-1            | 1217754-1   |
| .358<br>9.09  | .630<br>16.00 | Tin Plated Brass    | — | — | —                  | 928814-1    |
| .738<br>18.74 | 1.00<br>25.40 | Tin Plated Brass    | — | — | 63952-1            | —           |

<sup>1</sup> Insertion equipment available.

**205 Series Printed Circuit Board Only**

Stock Thickness — .020 [0.51]

Board Hole Size —  
.100 – .095 [2.54 – 2.41] Dia.

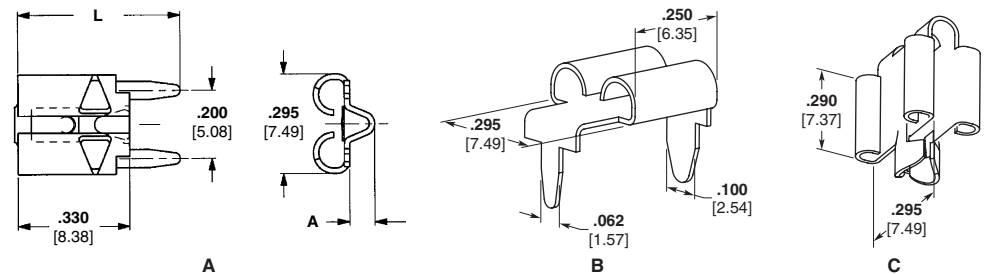


| Dimensions    |              | Material and Finish | Ⓡ | Ⓢ | Terminal Part No.    |
|---------------|--------------|---------------------|---|---|----------------------|
| L             | W            |                     |   |   |                      |
| .525<br>13.34 | .070<br>1.78 | Tin Plated Brass    | X | X | 62411-1 <sup>1</sup> |
| .545<br>13.84 | .160<br>4.06 | Tin Plated Brass    | X | X | 60284-2 <sup>1</sup> |

<sup>1</sup> Loose piece only.

**.250/.205 Printed Circuit Board Receptacles**

Stock Thickness — .016 [0.41]



| Style | Fits Tab                            | Dimensions   |               | Material and Finish    | Ⓡ | Ⓢ | Part No.               |             |
|-------|-------------------------------------|--------------|---------------|------------------------|---|---|------------------------|-------------|
|       |                                     | A            | L             |                        |   |   | Strip                  | Loose Piece |
| A     | .032<br>0.81 (LIF)                  | .075<br>1.91 | .480<br>12.19 | Tin Plated Brass       | — | — | 63968-1                | —           |
|       | .032<br>0.81                        | .075<br>1.91 | .480<br>12.19 | Tin Plated Brass       | — | — | 63969-1                | 1217080-1   |
|       | .025<br>0.64 (LIF)                  | .075<br>1.91 | .480<br>12.19 | Tin Plated Brass       | — | — | 63994-1                | —           |
|       | .025<br>0.64                        | .075<br>1.91 | .510<br>12.95 | Tin Plated Brass       | — | — | 1217137-1 <sup>2</sup> | —           |
|       | .025<br>0.64                        | .075<br>1.91 | .480<br>12.19 | Tin Plated Brass       | — | — | 1217180-1              | —           |
| B     | .020<br>0.51                        | —            | —             | Tin Plated Phos Bronze | — | — | 1217107-1 <sup>1</sup> | —           |
| C     | .250 x .016<br>6.35 x 0.41<br>Spade | —            | —             | Tin Plated Brass       | — | — | 62751-1                | 62806-1     |

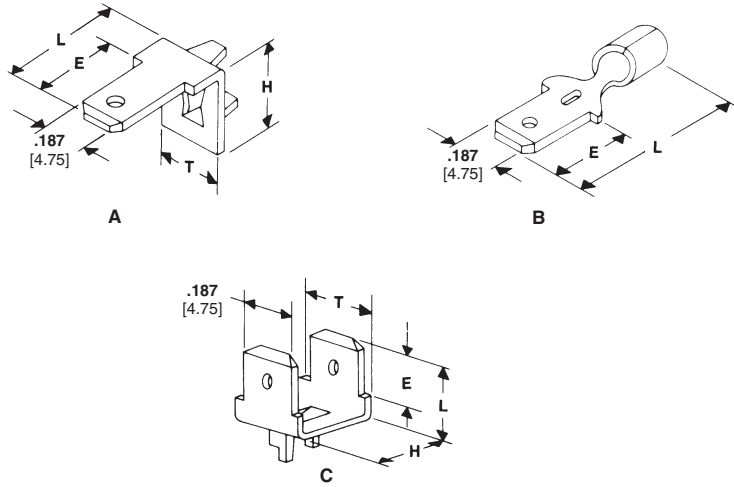
**Note:** Part Numbers are RoHS compliant except: ♦ Indicates non-RoHS compliant.

<sup>1</sup> Horizontal mount.  
<sup>2</sup> .180 [4.57] length — solder legs.

**FASTON Printed Circuit Board Tabs and Receptacles** (Continued)

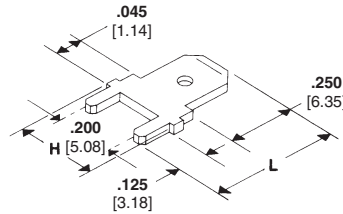
**187 Series**  
**Printed Circuit Board Tabs**

Stock Thickness — .020 [0.51]



| Type | Board Thickness | Dimensions |       |      |      | Material and Finish | UL | SP | Terminal Part No.    |
|------|-----------------|------------|-------|------|------|---------------------|----|----|----------------------|
|      |                 | T          | L     | E    | H    |                     |    |    |                      |
| A    | .055            | .250       | .332  | .250 | .283 | Pre-Tin Brass       | X  | X  | 61543-1 <sup>2</sup> |
|      | 1.38            | 6.35       | 8.43  | 6.35 | 7.19 | Pre-Tin Brass       | X  | X  | 62403-1 <sup>2</sup> |
| B    | .062            | —          | .545  | .250 | —    | Tin Plated Brass    | X  | X  | 61907-11             |
|      | 1.57            | —          | 13.84 | 6.35 | —    | Tin Plated Brass    | X  | X  | 61907-11             |
| C    | .062            | .250       | .332  | .250 | .303 | Pre-Tin Brass       | X  | X  | 62221-1 <sup>2</sup> |
|      | 1.57            | 6.35       | 8.43  | 6.35 | 7.70 | Pre-Tin Brass       | X  | X  | 62221-1 <sup>2</sup> |

<sup>1</sup> Loose piece only.  
<sup>2</sup> Insertion equipment available.



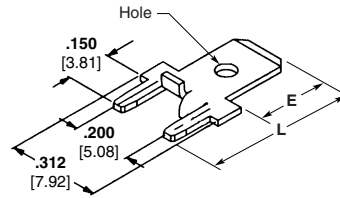
| Tab Thickness | Board Hole Size        | Dimensions |      | Material and Finish | UL | SP | Terminal Part No.    |             |
|---------------|------------------------|------------|------|---------------------|----|----|----------------------|-------------|
|               |                        | L          | H    |                     |    |    | Strip <sup>2</sup>   | Loose Piece |
| .032<br>0.81  | .053-.057<br>1.35-1.45 | .487       | .280 | Tin Plated Brass    | X  | X  | 63525-1 <sup>1</sup> | 1217057-11  |
|               |                        | 12.37      | 7.11 | Tin Plated Brass    | X  | X  | 63525-1 <sup>1</sup> | 1217057-11  |
| .020<br>0.51  | .050-.054<br>1.27-1.37 | .487       | .285 | Tin Plated Brass    | X  | X  | 63603-1              | 1217131-1   |
|               |                        | 12.37      | 7.24 | Tin Plated Brass    | X  | X  | 63603-1              | 1217131-1   |
|               |                        | .440       | .312 | Tin Plated Brass    | X  | X  | 63838-1              | —           |
|               |                        | 11.18      | 7.92 | Tin Plated Brass    | X  | X  | 63838-1              | —           |

<sup>1</sup> Dimple.  
<sup>2</sup> Insertion equipment available.

**Note:** Part Numbers are RoHS compliant except: ♦ Indicates non-RoHS compliant.

**FASTON Printed Circuit Board Tabs and Receptacles** (Continued)

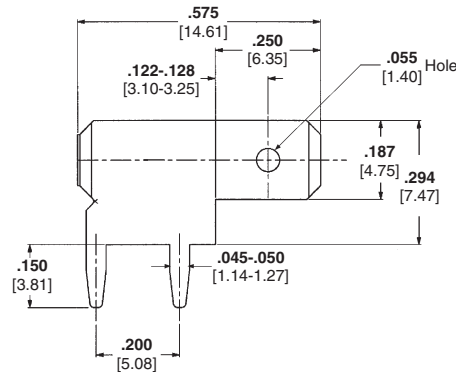
**187 Series**  
**Printed Circuit Board Tabs**  
(Continued)



| Tab Thickness | Dimensions    |               | Material and Finish | UL | SP | Terminal Part No.    |                        |
|---------------|---------------|---------------|---------------------|----|----|----------------------|------------------------|
|               | L             | E             |                     |    |    | Strip <sup>3</sup>   | Loose Piece            |
| .032<br>0.81  | .490<br>12.45 | .250<br>6.35  | Tin Plated Brass    | X  | X  | 63860-1 <sup>1</sup> | —                      |
|               | .710<br>18.03 | .470<br>11.94 | Tin Plated Brass    | X  | X  | 1217124-1            | —                      |
|               | .635<br>16.13 | .395<br>10.03 | Tin Plated Brass    | —  | —  | —                    | 1217332-1 <sup>2</sup> |
| .020<br>0.51  | .490<br>12.45 | .250<br>6.35  | Tin Plated Brass    | X  | X  | 1742362-1            | 63982-1                |

- <sup>1</sup> Dimple.
- <sup>2</sup> No hole or dimple.
- <sup>3</sup> Insertion equipment available.

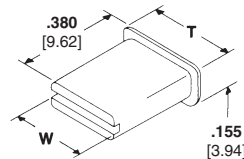
**Right-Angle Printed Circuit Board Tabs**



| Stock Thickness | Board Hole Size        | Material and Finish | UL | SP | Terminal Part No.      |
|-----------------|------------------------|---------------------|----|----|------------------------|
| .032<br>0.81    | .053-.057<br>1.35-1.45 | Tin Plated Brass    | X  | X  | 1217061-1              |
| .020<br>0.51    | .050-.054<br>1.27-1.37 | Tin Plated Brass    | X  | X  | 1217062-1              |
|                 |                        |                     | —  | —  | 1217156-1 <sup>1</sup> |

- <sup>1</sup> Loose piece.

**Tab Caps 187 and 250 Series**



| Tab Size                          | Material | UL 94 <sup>1</sup> | Color   | Dimensions   |              | Insulator Part No. |
|-----------------------------------|----------|--------------------|---------|--------------|--------------|--------------------|
|                                   |          |                    |         | T            | W            |                    |
| "187" Series<br>.020 [0.51] Thick | Nylon    | V2                 | Natural | .320<br>8.13 | .260<br>6.60 | 360041-1           |
| "250" Series<br>.032 [0.81] Thick | Nylon    | V2                 | Natural | .380<br>9.65 | .320<br>8.13 | 360042-1           |

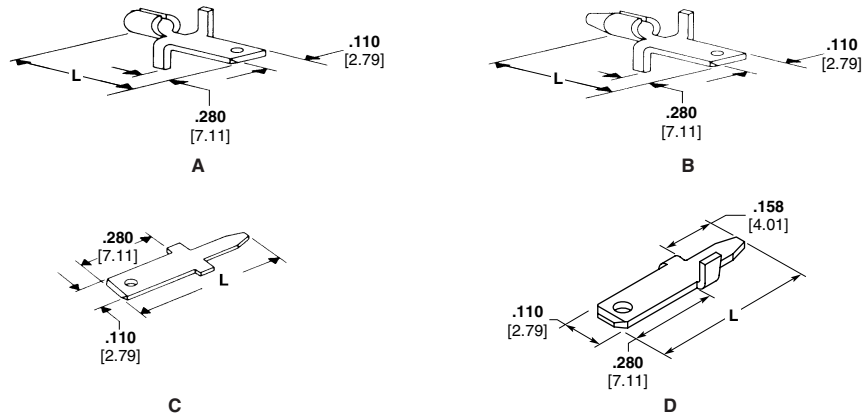
- <sup>1</sup> Flammability rating.

**Note:** Part Numbers are RoHS compliant except: ♦ Indicates non-RoHS compliant.

**FASTON Printed Circuit Board Tabs and Receptacles** (Continued)

**.110 Series Printed Circuit Board Tabs**

Stock Thickness — .020 [0.51]

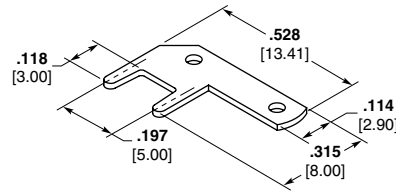


| Style | Mating Hole Diameter   | Dim. L                 | Material and Finish | Ⓜ                      | Ⓢ | Terminal Part No.      |
|-------|------------------------|------------------------|---------------------|------------------------|---|------------------------|
| A     | .060-.055<br>1.52-1.40 | .490<br>12.45          | Tin Plated Brass    | X                      | X | 61134-3 <sup>1</sup>   |
| B     | .067-.063<br>1.70-1.60 | .485<br>12.32          | Tin Plated Brass    | X                      | X | 61968-1 <sup>2</sup>   |
|       |                        |                        |                     | X                      | X | 62437-1 <sup>1</sup>   |
| C     | .044-.048<br>1.12-1.22 | .490<br>12.45          | Tin Plated Brass    | X                      | X | 62395-1 <sup>2</sup>   |
|       |                        | .622<br>15.80          | Tin Plated Brass    | X                      | X | 63756-1 <sup>2,3</sup> |
|       |                        | .910<br>23.11          | Tin Plated Brass    | —                      | — | 63794-1 <sup>4</sup>   |
|       |                        | .622<br>15.80          | Tin Plated Brass    | —                      | — | 1217514-1              |
|       |                        | .067-.073<br>1.70-1.85 | .490<br>12.45       | Pre-tin/<br>Pre-copper | X | X                      |
| D     | .062-.068<br>1.57-1.73 | .545<br>13.84          | Tin Plated Brass    | —                      | — | 1217577-1 <sup>2</sup> |

- <sup>1</sup> Loose piece only.
- <sup>2</sup> Insertion machine available.
- <sup>3</sup> .032 [0.81] Stock.
- <sup>4</sup> .060 [1.52] Tab width.

**Right-Angle Printed Circuit Board Tabs**

Tab Width — .114 [2.90]



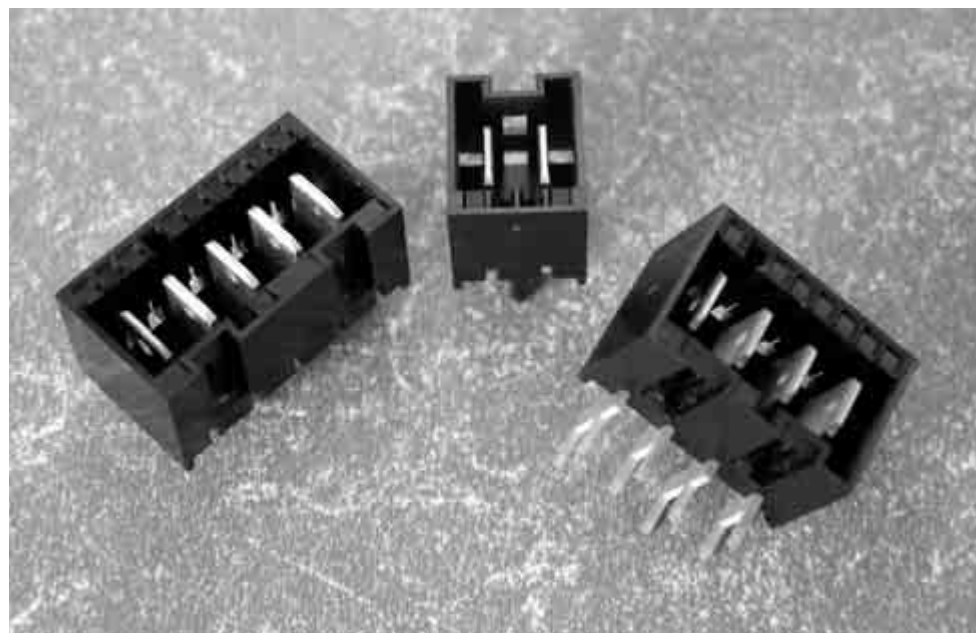
| Tab Thickness | PCB Hole Dia. +0/-0.01 [+0/-0.03] | Material and Finish | Ⓜ | Ⓢ | Terminal Part No. |
|---------------|-----------------------------------|---------------------|---|---|-------------------|
| .032<br>0.81  | .055<br>1.40                      | Tin Plated Brass    | — | — | 725963-2          |
| .020<br>0.51  | .051<br>1.30                      | Tin Plated Brass    | — | — | 725996-2          |

**Note:** Part Numbers are RoHS compliant except: ♦ Indicates non-RoHS compliant.

**FASTON Printed Circuit Board Tabs and Receptacles** (Continued)

**FASTON RAST 5 Tab Header Assembly, 250 Series**
**Product Facts**

- **.250 x .032 [6.3 x 0.8]**  
FASTON Tabs built on 5 mm centerlines
- **Shrouded Header Assembly that conforms to the European RAST 5 Standard**
- **Mating Tyco Electronics Connector Families include Positive Lock RAST 5 Connector System, AMP Standard Timer RAST 5, AMP multifitting, AMP multifitting MKII, AMP MONO-SHAPE TAB MKI, and AMP MONO-SHAPE MKII**
- **Vertical and Right-Angle Versions available in 2 through 8 positions**
- **Tin Plated Brass Tabs are Standard, Silver Plated Tab Versions are available upon Request**
- **Lead Free Design is RoHS and ELV Compliant**
- **UL 94 V-0 Housing meets Glow Wire IEC 60695-1 Section 30.2.3 – 750° NO FLAME**
- **Component Recognition USR and CSR under File No. E28476**
- **VDE tested according to DIN EN61984 (VDE0627): 2002-09; EN61984: 2001 VDE Reg. No. B718**



The FASTON RAST 5 Tab Header Assembly system is designed to provide a RAST 5 interface to a Printed Circuit Board. The RAST 5 Standard defines and standardizes the connector mating interface. 250 Series Tabs are placed on 5mm center lines with a plastic shroud that has keying, polarization, and locking features that help prevent mismatching of the corresponding RAST 5 female receptacle housing. The header assembly is

designed to accept any RAST 5 compliant female receptacle system or individual quick connects.

The most common application for this product is for household appliance controls where OEMs want to minimize the possibility of crossed wires. It is also suited for other applications such as gaming, vending, and exercise equipment controls as well as residential, commercial and industrial HVAC and light industrial equipment. The

system comes fully assembled and is easily press fit into the board for the soldering operation. Preassembly of the tabs into the Header ensures tab perpendicularity to the board. The solder leg PCB layout is based on the Industry Standard for similar systems available on the market. To further enhance correct placement onto the board, the vertical system includes a plastic post which allows Header placement to be polarized.

**Material**

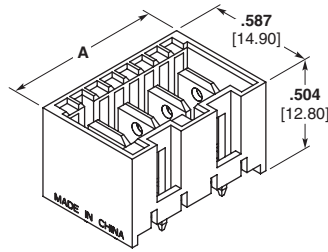
UL 94 V-0, 6/6 Nylon

See Tyco Electronics Catalogs 296599, 889803, 1308197, 1308209 for the complete line of RAST products.

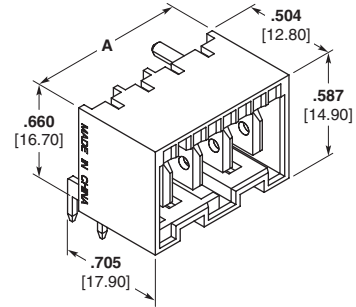
**FASTON Printed Circuit Board Tabs and Receptacles** (Continued)

**FASTON RAST 5 Tab Header Assembly, 250 Series**

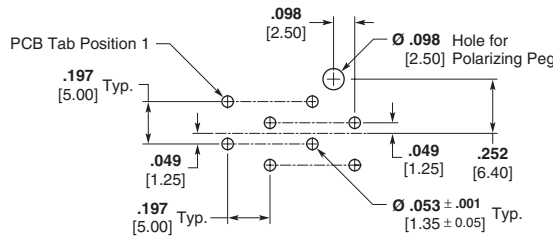
(Continued)



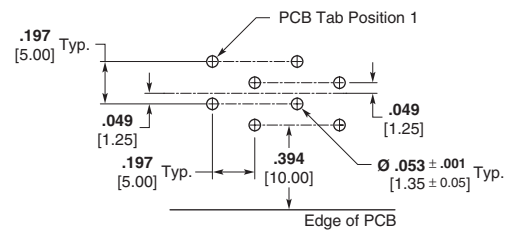
Vertical Orientation



Right-Angle Orientation



Vertical Orientation PCB Layout  
(Ref.) from Component Side



Right-Angle Orientation  
PCB Layout  
(Ref.) from Component Side

| No. of Positions | RAST 5 Configuration | Dim. A        | Part Numbers |             |
|------------------|----------------------|---------------|--------------|-------------|
|                  |                      |               | Vertical     | Right-Angle |
| 2                | 02-A                 | .484 [12.30]  | 521382-2     | 521384-2    |
|                  | 02-B                 | .484 [12.30]  | 1-521382-2   | 1-521384-2  |
|                  | 02-C                 | .484 [12.30]  | 2-521382-2   | 2-521384-2  |
|                  | 02-E                 | .484 [12.30]  | 3-521382-2   | 3-521384-2  |
|                  | 02-G                 | .484 [12.30]  | 4-521382-2   | 4-521384-2  |
|                  | 02-I                 | .484 [12.30]  | 5-521382-2   | 5-521384-2  |
|                  | 02-P                 | .484 [12.30]  | 6-521382-2   | 6-521384-2  |
| 3                | 03-A                 | .681 [17.30]  | 521382-3     | 521384-3    |
|                  | 03-B                 | .681 [17.30]  | 1-521382-3   | 1-521384-3  |
|                  | 03-D                 | .681 [17.30]  | 2-521382-3   | 2-521384-3  |
|                  | —                    | .681 [17.30]  | 3-521382-3   | 3-521384-3  |
| 4                | 04-A                 | .878 [22.30]  | 521382-4     | 521384-4    |
|                  | 04-B                 | .878 [22.30]  | 1-521382-4   | 1-521384-4  |
|                  | 04-C                 | .878 [22.30]  | 2-521382-4   | 2-521384-4  |
|                  | 04-F                 | .878 [22.30]  | 3-521382-4   | 3-521384-4  |
|                  | 04-G                 | .878 [22.30]  | 4-521382-4   | 4-521384-4  |
|                  | —                    | .878 [22.30]  | 5-521382-4   | 5-521384-4  |
| 5                | 05-B                 | 1.075 [27.30] | 521382-5     | 521384-5    |
|                  | —                    | 1.075 [27.30] | 1-521382-5   | 1-521384-5  |
|                  | —                    | 1.075 [27.30] | 2-521382-5   | 2-521384-5  |
|                  | —                    | 1.075 [27.30] | 3-521382-5   | 3-521384-5  |
| 6                | 06-A                 | 1.272 [32.30] | 521382-6     | 521384-6    |
|                  | 06-D                 | 1.272 [32.30] | 1-521382-6   | 1-521384-6  |
|                  | 07-C                 | 1.469 [37.30] | 521382-7     | 521384-7    |
| 7                | —                    | 1.469 [37.30] | 1-521382-7   | 1-521384-7  |
|                  | —                    | 1.469 [37.30] | 2-521382-7   | 2-521384-7  |
|                  | —                    | 1.469 [37.30] | 3-521382-7   | 3-521384-7  |
|                  | 08-D                 | 1.665 [42.30] | 521382-8     | 521384-8    |
| 8                | —                    | 1.665 [42.30] | 1-521382-8   | 1-521384-8  |
|                  | 08-C                 | 1.665 [42.30] | 2-521382-8   | 2-521384-8  |


Refer to the Tyco Electronics Customer Drawing for additional details.  
For more information related to the RAST 5 Standard, see Tyco Electronics Literature Distribution no. 1308243.

**Note:** Part Numbers are RoHS compliant except: ♦ Indicates non-RoHS compliant.



## AMP-BARREL Terminals

### Product Facts

- Unique insulation displacement technology
- Eliminates wire preparation—no stripping or soldering
- Capable of being wave-soldered to pc board with other components, enabling wires to be terminated at a more conducive time and location
- Anti-solder wicking design
- Accepts a wide range of wire sizes, solid or stranded
- Available in single and two-wire version
- Reusable terminal
- Available in loose-piece or strip version
- Semiautomatic insertion machine for strip version
- Simple, rugged low cost wire insertion tool
- Recognized Under Component Recognition Program of Underwriters Laboratories, Inc. — File No. E28456 

### Technical Documents

#### Product Specification

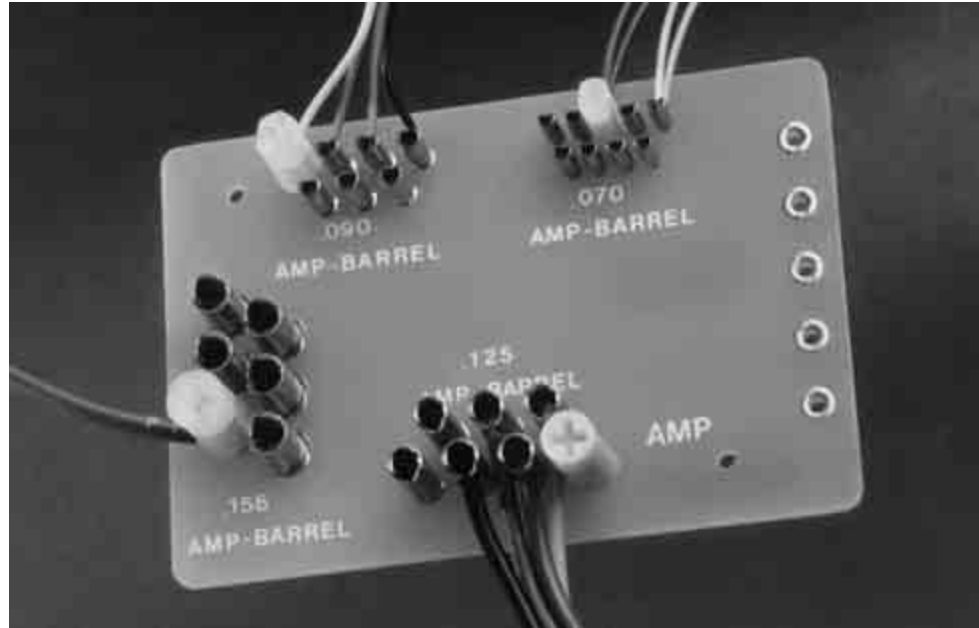
108-6043 .070 [1.78] Diameter Terminal  
 108-6044 .090 [2.29] Diameter Terminal  
 108-6025 .125 [3.18] Diameter Terminal  
 108-6026 .156 [3.96] Diameter Terminal

#### Application Specification

114-6000 AMP-BARREL Terminals

#### Instruction Sheets

408-3187  
 408-6505  
 408-6553



AMP-BARREL Terminals solve the problem of interconnecting discrete wires to printed circuit boards without permanently soldering them in place, and provide cost savings by eliminating the need for two-piece terminal systems, terminal strips or expensive space-consuming modular connectors.

These unique insulation displacement terminals are suitable for most printed circuit boards from .047 [1.19] to .125 [3.18] thick and are mounted in a space-saving, free-standing manner wherever required.

AMP-BARREL Terminals may be obtained in loose piece or strip form for semiautomatic machine insertion. Upon insertion, they are hand or wave-soldered with other components without fear of solder wicking into the wire termination area.

Termination is achieved by placing the end of a pre-cut unstripped wire horizontally to the board at the top of the AMP-BARREL Terminal. Insertion to the proper depth is accomplished by

the use of a simple, low-cost screwdriver type tool or low cost plastic stuffer cap. These caps use a standard Phillips type screwdriver to terminate the wire. When left in place on the terminal they provide strain relief and insulation. They may be removed and reused for field changes and/or repairs. The high compliancy of the terminal assures a highly reliable, stable interconnection and withstands extreme temperature, vibration and shock.

AMP-BARREL Terminals offer the added benefit of accepting a wide wire range, solid or stranded, within the same terminal. The .125 [3.18] diameter AMP-BARREL Terminal accepts a wire range of 28-18 AWG [0.08-0.8 mm<sup>2</sup>] with a maximum insulation diameter of .086 [2.18]. It is made of high strength, high ductility, pre-tinned phosphor bronze and accepts one or two wires of the same type that may vary in size by one wire gauge. The C-shaped cross-slot assures a reliable two-wire termination.

This product also offers a wire cutoff version which allows the wire to be placed across the top of the terminal where the hand tool terminates and trims the wire in one action.

Similarly constructed, but of smaller size, are the .070 [1.78] and .090 [2.29] diameter AMP-BARREL Terminals. These terminals accept, respectively, wire sizes of 28-26 AWG [0.08-0.15 mm<sup>2</sup>] with a maximum insulation diameter of .036 [0.91] and 28-22 AWG [0.08-0.4 mm<sup>2</sup>] with a maximum insulation diameter of .053 [1.35]. They also will accept two wires of the same gauge and type.

The .156 [3.96] diameter AMP-BARREL Terminal accepts a wire range of 24-18 AWG [0.2-0.8 mm<sup>2</sup>] with a maximum insulation diameter of .115 [2.92]. It is made of tin-lead plated brass and will accept one wire per terminal.

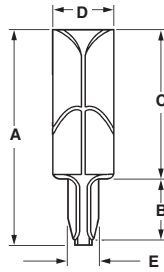
All AMP-BARREL Terminals are reusable. This feature is extremely important when correcting wiring errors, making field repairs or modifications.

**AMP-BARREL Terminals (Continued)**

**.070 [1.78] and .090 [2.29] Terminals**

**Material and Finish**

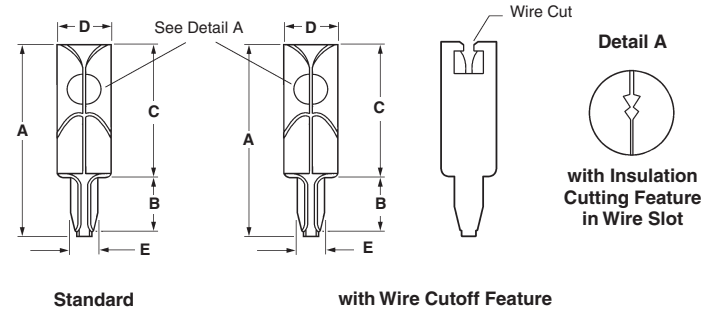
Pretinned phosphor bronze



**.125 [3.18] Terminals**

**Material and Finish**

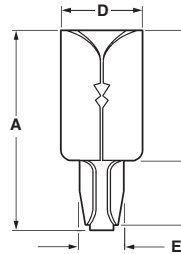
Pretinned phosphor bronze



**.156 [3.96] Terminals**

**Material and Finish**

Tin plated brass



| Terminal Size                              | Conductor (solid or stranded) |                 |                | PC Board   |                        | Terminal Dimensions    |               |              |              |              | Part Nos.    |           |           |
|--|-------------------------------|-----------------|----------------|------------|------------------------|------------------------|---------------|--------------|--------------|--------------|--------------|-----------|-----------|
|  | Wire Size Range AWG           | mm <sup>2</sup> | Max. Ins. O.D. | Thk. Range | Mtg. Hole Dia.         | A                      | B             | C            | D            | E            | Loose Pc.    | Strip     |           |
| .070<br>1.78                               | 28-26                         | 0.08-0.15       | .036<br>0.91   | 1 or 2     | .047-.062<br>1.19-1.57 | .035-.040<br>0.89-1.02 | .280<br>7.11  | .090<br>2.29 | .175<br>4.45 | .070<br>1.78 | .042<br>1.07 | 1742255-1 | 1742255-2 |
| .090<br>2.29                               | 28-22                         | 0.08-0.4        | .053<br>1.35   | 1 or 2     | .047-.094<br>1.19-2.39 | .050-.054<br>1.27-1.37 | .340<br>8.64  | .120<br>3.05 | .210<br>5.33 | .090<br>2.24 | .056<br>1.42 | 1742254-1 | 1742254-2 |
| .125<br>3.18<br>Standard                   | 28-18                         | 0.08-0.8        | .086<br>2.18   | 1 or 2     | .062-.094<br>1.57-2.39 | .061-.065<br>1.55-1.65 | .458<br>11.63 | .118<br>3.00 | .325<br>8.26 | .125<br>3.18 | .067<br>1.70 | 552699-1* | —         |
|  |                               |                 |                |            | .062-.125<br>1.57-3.18 | .061-.065<br>1.55-1.65 | **            | .118<br>3.00 | .325<br>8.26 | .125<br>3.18 | .067<br>1.70 | —         | 552699-2* |
|  |                               |                 |                |            | .062-.094<br>1.57-2.39 | .061-.065<br>1.55-1.65 | .458<br>11.63 | .118<br>3.00 | .325<br>8.26 | .125<br>3.18 | .067<br>1.70 | 552699-4  | —         |
|  |                               |                 |                |            | .062-.125<br>1.57-3.18 | .061-.065<br>1.55-1.65 | **            | .118<br>3.00 | .325<br>8.26 | .125<br>3.18 | .067<br>1.70 | —         | 552699-5  |
| .125<br>3.18<br>With wire cut-off features | 28-18                         | 0.08-0.8        | .086<br>2.18   | 1 or 2     | .062-.094<br>1.57-2.39 | .061-.065<br>1.55-1.65 | **            | .118<br>3.00 | .325<br>8.26 | .125<br>3.18 | .067<br>1.70 | —         | 554935-2* |
| .156<br>3.96                               | 24-18                         | 0.2-0.8         | .115<br>2.92   | 1          | .062-.094<br>1.57-2.39 | .078-.082<br>1.98-2.08 | .390<br>9.91  | .125<br>3.18 | .250<br>6.35 | .156<br>3.96 | .084<br>2.13 | 1742253-1 | 1742253-2 |

\*Has tough insulation cutting feature in wire slot (see Detail A in illustration). These barrels are not recommended for smaller standard wires.

\*\*Cutoff is adjustable depending on board thickness.

**Notes:**

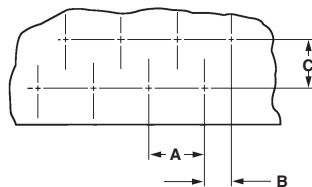
- .070 [1.78] and .090 [2.29] terminals accept two wires of the same gauge and type.
- The .125 [3.18] terminal accepts two wires of the same type that may vary in size by one wire gauge.
- .070 [1.78] and .090 [2.29] terminals have a solder resist material on the inside of barrel which prevents solder wicking.

**Note:** Part Numbers are RoHS compliant except: ♦ Indicates non-RoHS compliant.

**AMP-BARREL Terminals (Continued)**

**Recommended Printed Circuit Board Dimensions**

(for use in .047 [1.19] to .125 [3.18] pc boards)



| Terminal Size       | Minimum Hole Spacing |                     |                     |
|---------------------|----------------------|---------------------|---------------------|
|                     | A                    | B                   | C                   |
| <b>.070</b><br>1.78 | <b>.100</b><br>2.54  | <b>.050</b><br>1.27 | <b>.105</b><br>2.67 |
| <b>.090</b><br>2.29 | <b>.150</b><br>3.81  | <b>.075</b><br>1.91 | <b>.135</b><br>3.43 |
| <b>.125</b><br>3.18 | <b>.200</b><br>5.08  | <b>.100</b><br>2.54 | <b>.175</b><br>4.45 |
| <b>.156</b><br>3.96 | <b>.220</b><br>5.59  | <b>.110</b><br>2.79 | <b>.190</b><br>4.83 |

**Wire Stuffer Caps**

**Product Facts**

- Insulates
- Provides strain relief
- Acts as field service repair tool

**Material**

Thermoplastic



| Wire Size Range<br>AWG | mm <sup>2</sup> | Color   | For Use With<br>Terminal Part No. | Wire Stuffer Cap<br>Part No. |
|------------------------|-----------------|---------|-----------------------------------|------------------------------|
| 28-26                  | 0.08-0.15       | Natural | 1742255                           | 553593-1                     |
| 28-22                  | 0.08-0.4        | Natural | 1742254                           | 553594-1                     |
| 22-18                  | 0.4-0.8         | Yellow  | 552699                            | 230707-1                     |
| 28-24                  | 0.08-0.2        | Natural | 552699                            | 230707-3                     |
| 24-18                  | 0.2-0.8         | Natural | 1742253                           | 553595-1                     |

**Note:** Part Numbers are RoHS compliant except: ♦ Indicates non-RoHS compliant.

## AMP-BARREL Terminals (Continued)

### Application Tooling

#### Wire Insertion Tool

Precut, unstripped wires are easily terminated in the AMP-BARREL Terminal with a simple screwdriver type tool. It properly positions the wire to the correct depth in the terminal. For two wire applications, the second wire pushes the first wire into the lower section of the terminal.

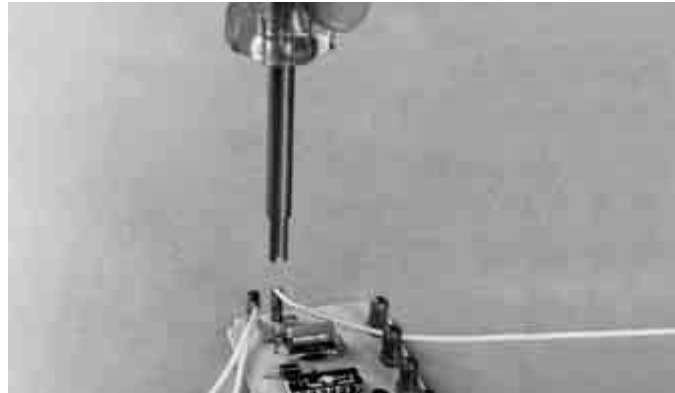
For improved comfort, a slip-on cushion grip is available.

The Wire Insertion Tool should be used for wire termination only; it should not be used to seat terminals onto the pc board.

#### Cushion Grip Material and Finish

Elastomer

Part No. 231279-1



| Wire Size Range |                 | Color Code<br>on Tool Shaft | For use with<br>Terminal Part No.        | Wire Insertion<br>Tool Part Nos. |
|-----------------|-----------------|-----------------------------|--|----------------------------------|
| AWG             | mm <sup>2</sup> |                             |  |                                  |
| 22-18           | 0.4-0.8         | Yellow                      | 552699-1, 552699-2<br>552699-4, 552699-5 | 552714-1                         |
| 24-18           | 0.2-0.8         | Red                         | 1742253-1 and<br>1742253-2               | 552714-2                         |
| 28-24           | 0.08-0.2        | White                       | 552699-1, 552699-2<br>552699-4, 552699-5 | 552714-3                         |
| 28-22           | 0.08-0.4        | Blue                        | 1742254-1 and<br>1742254-2               | 552714-4                         |
| 28-26           | 0.08-0.15       | Green                       | 1742255-1 and<br>1742255-2               | 552714-5                         |
| 22-26           | 0.4-0.15        | None                        | 554935-2                                 | 231890-1                         |

### Manual Terminal Insertion Kit

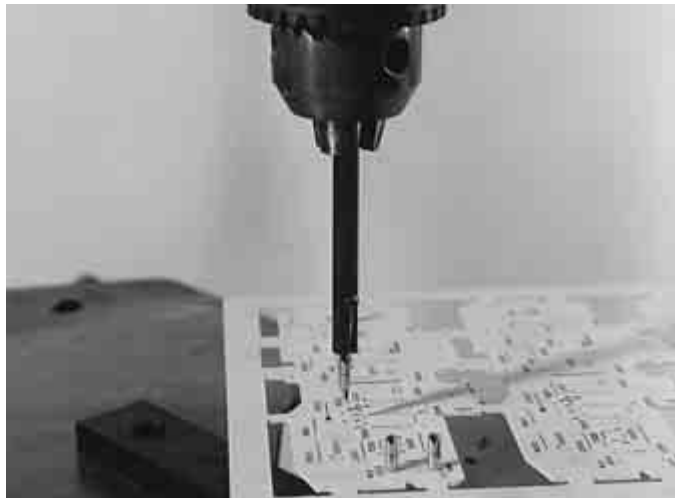
Each insertion kit consists of a ram and pedestal assembly for use in a standard drill press. The ram assembly holds the terminal and provides a firm seat during insertion. It fits into the drill chuck. The pedestal assembly sits on the drill table and supports the pc board during insertion.

**Kit No. 230549-3** for .070 [1.78]  
AMP-BARREL Terminal  
Part No. 1742255-1

**Kit No. 230549-4** for .090 [2.29]  
AMP-BARREL Terminal  
Part No. 1742254-1

**Kit No. 230549-1** for .125 [3.18]  
AMP-BARREL Terminals  
Part Nos. 552699-1 and 552699-4

**Kit No. 230549-2** for .156 [3.96]  
AMP-BARREL Terminal  
Part No. 1742253-1



**Note:** Part Numbers are RoHS compliant except: ♦ Indicates non-RoHS compliant.

## QUADRA-MATE Wire-to-Printed Circuit Board Terminal

### Product Facts

- Redundant wire insulation displacement termination
- Built-in strain relief
- Accepts 28-24 AWG [0.09-0.2 mm<sup>2</sup>]
- Feed-thru connections allow wiring flexibility
- Free-standing
- Low board profile (less than ¼" [6.35 mm] high)
- Available in loose piece or strip form
- Mass termination adaptability
- Capable of being reused
- Low applied costs

### Applications

- Electronic games
- Computer
- Telephone equipment
- Business machines
- Electronic control equipment

### Technical Documents

Application Specification  
114-2051

Product Specification  
108-2032

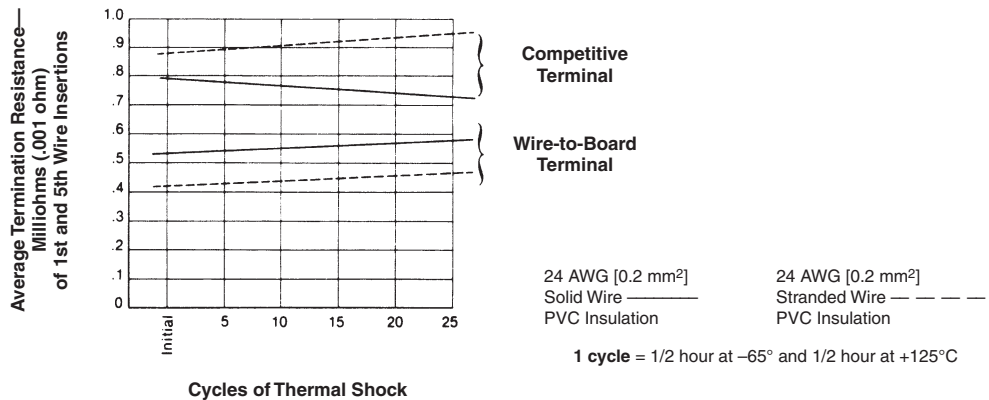
The QUADRA-MATE Wire-to-Printed Circuit Board Terminal is an extension of the MAG-MATE connector program, and is designed to terminate discrete wires to a pc board via insulation displacement slot technology. It is capable of accepting solid or stranded wire and permits wire end or feed-thru terminations. The terminal features four slots for redundant wire terminations and strain relief. The terminals are installed in random positions or in rows on the edge of a pc board either by hand tool, semiautomatic or fully-automatic machines.

The terminal is compact in design and readily adaptable to a wide variety of materials and plating selections, as well as terminating techniques such as daisy chaining, single ending and on-board jumping and programming.

The .100 [2.54] wide terminal has an overall height of approximately .210 [5.33] and occupies less than .120 x .130 [3.05 x 3.3] of board area and accommodates wire sizes 28-24 AWG [0.09-0.2 mm<sup>2</sup>] (see table).

The terminals are supplied in both loose piece and strip form and are easily assembled to the pc board in conjunction with on-board components prior to wave soldering. With the terminal being an integral part of the board, insertion of the unstripped wire into the four insulation displacement slots is accomplished by use of a simple hand tool (see table).

### Thermal Shock Data for Wire-to-Board Terminal



## QUADRA-MATE Wire-to-Printed Circuit Board Terminal (Continued)

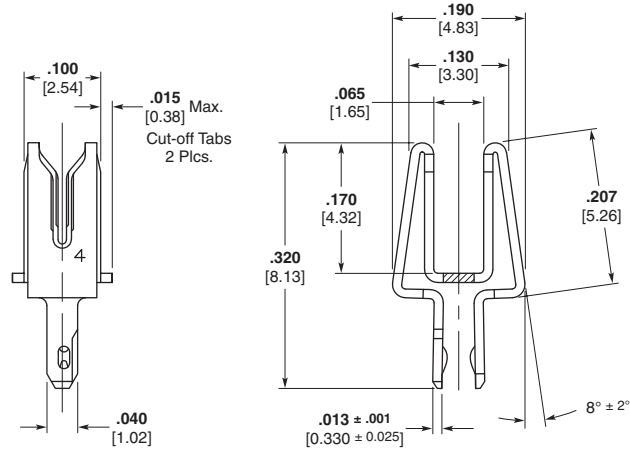
### Typical Assembly

#### Material and Finish

**Terminal** – Brass, tin plated over copper underplate

Other plating and terminal materials available. Contact Tyco Electronics.

**Max. Ins. Dia.** — .060 [1.52]



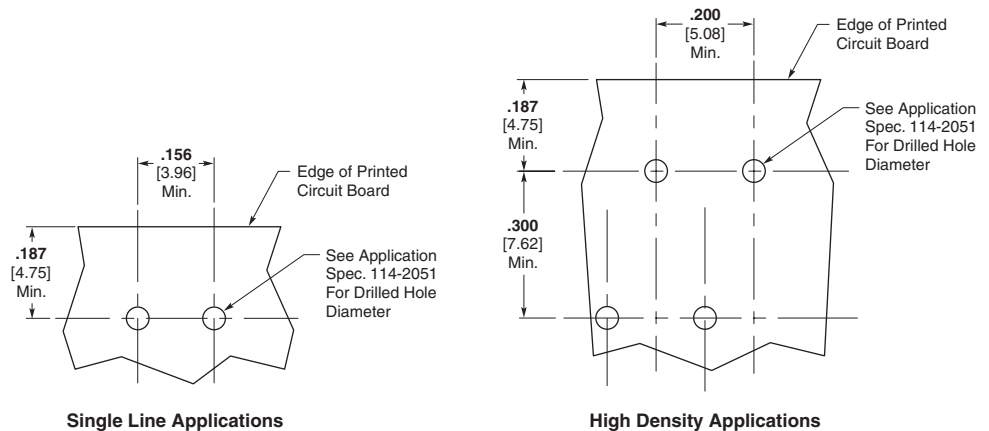
| Wire Size (AWG) over mm <sup>2</sup> |                    |            | Part Numbers |          |                          |
|--------------------------------------|--------------------|------------|--------------|----------|--------------------------|
| 7-Strand                             | Solid              | Fused      | Loose Piece  | Strip    | Wire to Term. Hand Tool  |
| 24<br>0.2                            | 24-26<br>0.2-0.13  | 26<br>0.13 | 62977-1      | 63007-1  |                          |
| 26<br>0.14                           | 26-28<br>0.13-0.08 | 28<br>0.09 | 63024-1*     | 63003-1* | 274377-1<br>(Heavy Duty) |
| 28<br>0.09                           | 28<br>0.08         | 28<br>0.09 | 63025-1*     | 63004-1* |                          |

Semiautomatic insertion of strip parts to pc board is accomplished using mini-insertion head, Part No. 803371-1 in "U" frame applicator, Part No. 691679-1. For more sophisticated application equipment including cable makers and C.N.C. machines, contact Tyco Electronics.

\* Available upon request, contact Tyco Electronics.

### Recommended PC Board Applications

**Note:** Wire slots are designed to terminate wire sizes and types with polyvinyl chloride (PVC) insulation, Class 12B. For other wire sizes and insulation types, contact Tyco Electronics for application approval.



**Note:** Part Numbers are RoHS compliant except: ♦ Indicates non-RoHS compliant.

## Printed Circuit Board Disconnects

### Product Facts

- Quick connect or disconnect
- Automatic or semiautomatic application of strip form receptacles to wire
- Receptacles for wire size range 28 AWG [0.08] thru 17 AWG [1.0] and tinsel wire
- Automatic or semiautomatic insertion of strip form pins to printed circuit boards
- Solid or formed pins, single- or double-sided printed circuit board capability
- Choice of materials and platings

### Technical Documents

#### Product Specification

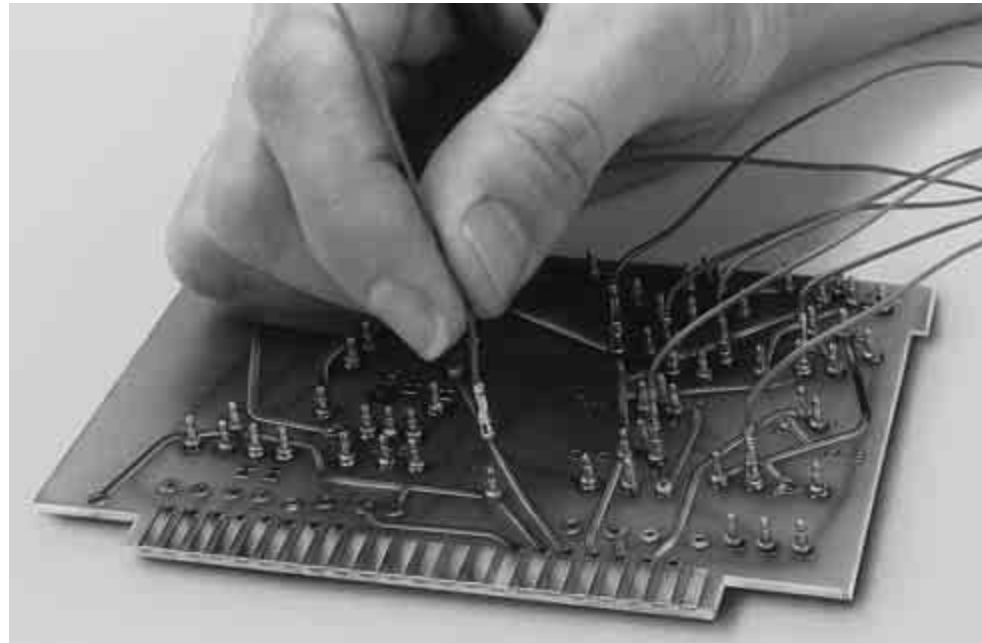
108-1025  
108-1059

#### Application Specification

114-1008

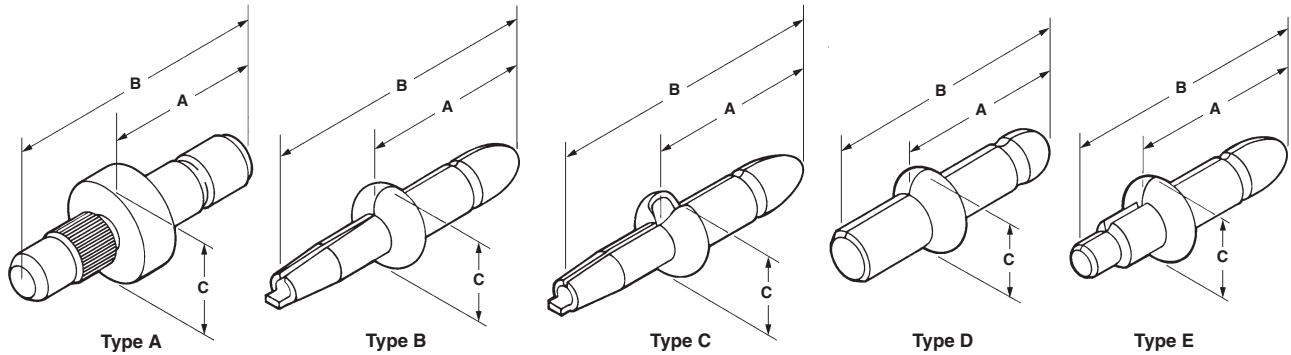
#### Instruction Sheets

408-7850  
408-7951  
408-7963  
408-7698  
408-7850  
408-7377  
408-7345



Tyco Electronics printed circuit disconnect embodies the dual features of automation and the ability to make quick wiring changes. The special formed pins, available in .058 [1.47] and .093 [2.36] diameters, can be inserted in a printed circuit board quickly and reliably by fully automatic or semiautomatic machinery. The solid pin family, in .058 [1.47] diameter, is attached manually; its knurled edge retains it mechanically in the board until soldering is complete. All pins must be soldered to insure mechanical and electrical reliability. Pins may be used for either single or double-sided pc boards. The receptacles are applied quickly and efficiently to wire using semiautomatic AMP-O-LECTRIC or fully automatic AMPOMATOR machines.

All receptacles feature a precision wire crimp with an insulation crimp for high mechanical strength. A variety of wire and insulation ranges are available as listed. The combination of the pin and receptacle enables users to bring a variety of wires to a printed circuit board and offers the capability of a quick connect or disconnect. The product is ideal for use in prototype and production applications, particularly where wiring changes or rapid pc board interconnections are required. Specific users include radio, television, test equipment, computer and business machine industries.

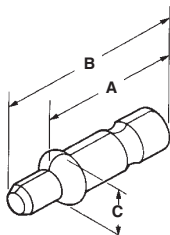
**Printed Circuit Board Disconnects (Continued)**

**.058 [1.47] Diameter Solid Pins**

| Type | Hole Diameter          | Pc Board Thickness | Dimensions   |              |              | Material and Finish | Part Nos. Loose Piece |
|------|------------------------|--------------------|--------------|--------------|--------------|---------------------|-----------------------|
|      |                        |                    | A            | B            | C            |                     |                       |
| A    | .062-.059<br>1.57-1.50 | .125<br>3.18       | .195<br>4.95 | .385<br>9.78 | .110<br>2.79 | Brass, Tin          | 3-60753-2             |
| A    | .062-.059<br>1.57-1.50 | .0312<br>0.79      | .195<br>4.95 | .260<br>6.60 | .110<br>2.79 | Brass, Tin          | 3-60839-1             |

**.058 [1.47] Diameter Formed Pins**

| Type | Hole Diameter          | Pc Board Thickness           | Dimensions   |              |              | Material and Finish           | Part Nos.  |                          | Insertion Head |
|------|------------------------|------------------------------|--------------|--------------|--------------|-------------------------------|------------|--------------------------|----------------|
|      |                        |                              | A            | B            | C            |                               | Strip Form | Loose Piece <sup>1</sup> |                |
| B    | .050-.046<br>1.27-1.17 | .063 or .094<br>1.60 or 2.39 | .210<br>5.33 | .360<br>9.14 | .095<br>2.41 | Phos. Brz., Pre-Tin           | 60802-2    | 60803-2                  | 904554-1       |
|      |                        |                              |              |              |              | Phos. Brz., Gold <sup>2</sup> | 3-60802-1  | 3-60803-1                | 904554-1       |
| B    | .062-.058<br>1.57-1.47 | .063 or .094<br>1.60 or 2.39 | .210<br>5.33 | .360<br>9.14 | .095<br>2.41 | Phos. Brz., Pre-Tin           | 60809-1    | 60874-1                  | 904554-1       |
|      |                        |                              |              |              |              | Phos. Brz., Gold <sup>2</sup> | 3-60809-2  | 3-60874-2                | 904554-1       |
|      |                        |                              |              |              |              | Phos. Brz., Tin               | 60809-4    | —                        | 904554-1       |
| B    | .070-.066<br>1.78-1.68 | .063 or .094<br>1.60 or 2.39 | .210<br>5.33 | .360<br>9.14 | .095<br>2.41 | Phos. Brz., Pre-Tin           | 60813-1    | 61018-1                  | 904554-1       |
| C    | .050-.046<br>1.27-1.17 | .063 or .094<br>1.60 or 2.39 | .210<br>5.33 | .360<br>9.14 | .095<br>2.41 | Phos. Brz., Gold <sup>3</sup> | 61038-1    | 61067-1                  | 904554-1       |
| D    | .073-.067<br>1.85-1.70 | .063<br>1.60                 | .210<br>5.33 | .310<br>7.87 | .095<br>2.41 | Phos. Brz., Pre-Tin           | 60824-1    | 61097-1                  | 904554-2       |
|      |                        |                              |              |              |              | Phos. Brz., Gold <sup>2</sup> | 3-60824-2  | 3-61097-2                | 904554-2       |
| E    | .050-.046<br>1.27-1.17 | .063<br>1.60                 | .210<br>5.33 | .310<br>7.87 | .095<br>2.41 | Phos. Brz., Gold <sup>3</sup> | 640967-2   | —                        | 904554-2       |
| E    | .061-.055<br>1.55-1.40 | .047<br>1.19                 | .210<br>5.33 | .310<br>7.87 | .095<br>2.41 | Phos. Brz., Pre-Tin           | 641944-1   | —                        | —              |
| E    | .061-.055<br>1.55-1.40 | .063<br>1.60                 | .210<br>5.33 | .310<br>7.87 | .095<br>2.41 | Phos. Brz., Pre-Tin           | 60973-1    | 640394-1                 | 904554-2       |
|      |                        |                              |              |              |              | Phos. Brz., Gold <sup>2</sup> | 3-60973-2  | —                        | 904554-2       |

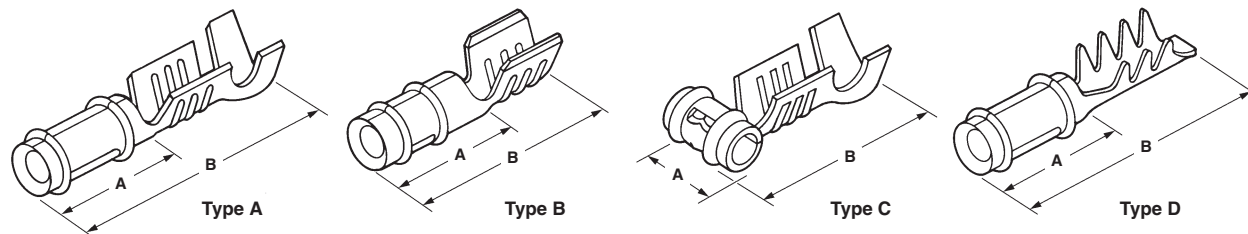
<sup>1</sup>Use Insertion Tool Part No. 689141-1 for Loose Piece Pins  
<sup>2</sup>.000030 [0.00076] gold plated  
<sup>3</sup>.000030 [0.00076] gold plated in disconnect area  
**Note:** All above formed pins are made from .010 [0.25] thick material

**.093 [2.36] Diameter Formed Pins**


| Hole Diameter          | Pc Board Thickness | Dimensions   |               |              | Material and Finish | Part Nos.  |             | Insertion Machine |
|------------------------|--------------------|--------------|---------------|--------------|---------------------|------------|-------------|-------------------|
|                        |                    | A            | B             | C            |                     | Strip Form | Loose Piece |                   |
| .073-.067<br>1.85-1.70 | .063<br>1.60       | .305<br>7.75 | .410<br>10.41 | .115<br>2.92 | Phos. Brz., Pre-Tin | 61137-1    | 350491-1    | 904558-1          |

**Note:** Part Numbers are RoHS compliant except: ♦ Indicates non-RoHS compliant.



**Printed Circuit Board Disconnects (Continued)**
**Receptacles**

**.058 [1.47] Diameter**

| Type | Wire Size Range |                 | Insulation Diameter    | Dimensions   |               | Material and Finish  | Part Nos.                                |  |           |                             |
|------|-----------------|-----------------|------------------------|--------------|---------------|--|--|--|-----------|-----------------------------|
|      | AWG             | mm <sup>2</sup> |                        | A            | B             |  | Strip Form <sup>3</sup>                  | Loose Piece                              | Hand Tool | Insertion <sup>5</sup> Head |
| A    | 28-26           | 0.08-0.15       | .035-.045<br>0.89-1.14 | .155<br>3.94 | .380<br>9.65  | Phos. Brz., Pre-Tin  | 60354-7                                  | —  | —         | —                           |
| A    | 26-22           | 0.15-0.4        | .035-.065<br>0.89-1.65 | .155<br>3.94 | .380<br>9.65  | Phos. Brz., Gold <sup>1</sup><br>Phos. Brz., Pre-Tin<br>Be. Cu., Tin<br>Be. Cu., Gold <sup>1</sup> | 60888-2<br>60888-1<br>60888-3<br>60888-4 | 60983-1<br>60983-2<br>60983-4<br>60983-3 | 90131-4   | 452383-1                    |
| A    | 26-20           | 0.15-0.6        | .040-.110<br>1.02-2.79 | .155<br>3.94 | .395<br>10.03 | Be. Cu., Tin   | 350196-1 <sup>4</sup>                    | —  | —         | —                           |
| A    | 24-20           | 0.2-0.6         | .045-.070<br>1.14-1.78 | .155<br>3.94 | .380<br>9.65  | Phos. Brz., Pre-Tin<br>Be. Cu., Tin<br>Phos. Brz., Gold<br>Be. Cu., Gold <sup>2</sup>              | 60598-3<br>60598-4<br>60598-7<br>60598-9 | 60789-1<br>60789-2<br>60789-3<br>60789-8 | 91507-1   | 452383-1                    |
| A    | 24-20           | 0.2-0.6         | .060-.090<br>1.52-2.29 | .155<br>3.94 | .395<br>10.03 | Phos. Brz., Pre-Tin<br>Be. Cu., Tin  | 60940-1<br>60940-2                       | 60986-1<br>—                             | 90221-2   | —                           |
| B    | 22-17           | 0.4-1.0         | —                      | .155<br>3.94 | .300<br>7.62  | Be. Cu., Tin   | 640259-1                                 | 640024-1                                 | 90314-1   | 453850-1                    |
| C    | 26-22           | 0.15-0.4        | .035-.065<br>0.89-1.65 | .160<br>4.06 | .330<br>8.38  | Be. Cu., Gold <sup>2</sup><br>Phos. Brz., Pre-Tin  | 61513-1<br>61513-2                       | 350189-2<br>350189-1                     | 90131-4   | —                           |
| C    | 24-20           | 0.2-0.6         | .045-.070<br>1.14-1.78 | .160<br>4.06 | .330<br>8.38  | Be. Cu., Gold <sup>2</sup><br>Phos. Brz., Pre-Tin<br>Be. Cu., Tin                                  | 61119-1<br>61119-2<br>61119-3            | 61276-1<br>61276-2<br>61276-3            | 91507-1   | 453850-1                    |
| D    | Tinsel Wire     |                 | .030-.040<br>0.76-1.02 | .155<br>3.94 | .380<br>9.65  | Phos. Brz., Pre-Tin  | 350393-1                                 | —  | —         | —                           |

**.093 [2.36] Diameter**

| Type | Wire Size Range |                 | Insulation Diameter    | Dimensions   |               | Material and Finish | Part Nos.               |             |           |                |
|------|-----------------|-----------------|------------------------|--------------|---------------|---------------------|-------------------------|-------------|-----------|----------------|
|      | AWG             | mm <sup>2</sup> |                        | A            | B             |                     | Strip Form <sup>3</sup> | Loose Piece | Hand Tool | Insertion Head |
| A    | 28-26           | 0.08-0.15       | .032-.057<br>0.81-1.45 | .255<br>6.48 | .545<br>13.84 | Phos. Brz., Tin     | 35022-1                 | —           | —         | 452383-1       |
| A    | 22-18           | 0.4-0.8         | .060-.110<br>1.52-2.79 | .255<br>6.48 | .550<br>13.97 | Phos. Brz., Tin     | 61291-1                 | 61260-1     | 90135-2   | 452383-3       |
| B    | 22-18           | 0.3-0.9         | —                      | .255<br>6.48 | .435<br>11.05 | Phos. Brz., Tin     | 350015-2                | —           | —         | 435850-1       |

<sup>1</sup>0.000030 [0.00076] gold plated

<sup>2</sup>0.000015 [0.00038] gold plated

<sup>3</sup>Machine applied; applicator required. For machine and applicator part numbers, call the Tooling Assistance Center at 1-800-722-1111.

<sup>4</sup>These receptacles have an overlap insulation crimp.

<sup>5</sup>Use the listed insertion head with either the Comp-U-Sert or II Insertion Machine No. 122300-1 or MIS Bench Machine No. 66280-4.

**Note:** Part Nos. 350221-1, 61291-1 and 61260-1 are made from .012 [0.30] thick material. All other receptacles are made from .010 [0.25] thick material.

**Note:** Part Numbers are RoHS compliant except: ♦ Indicates non-RoHS compliant.

## AMP EDGE Single Lead Printed Circuit Terminals

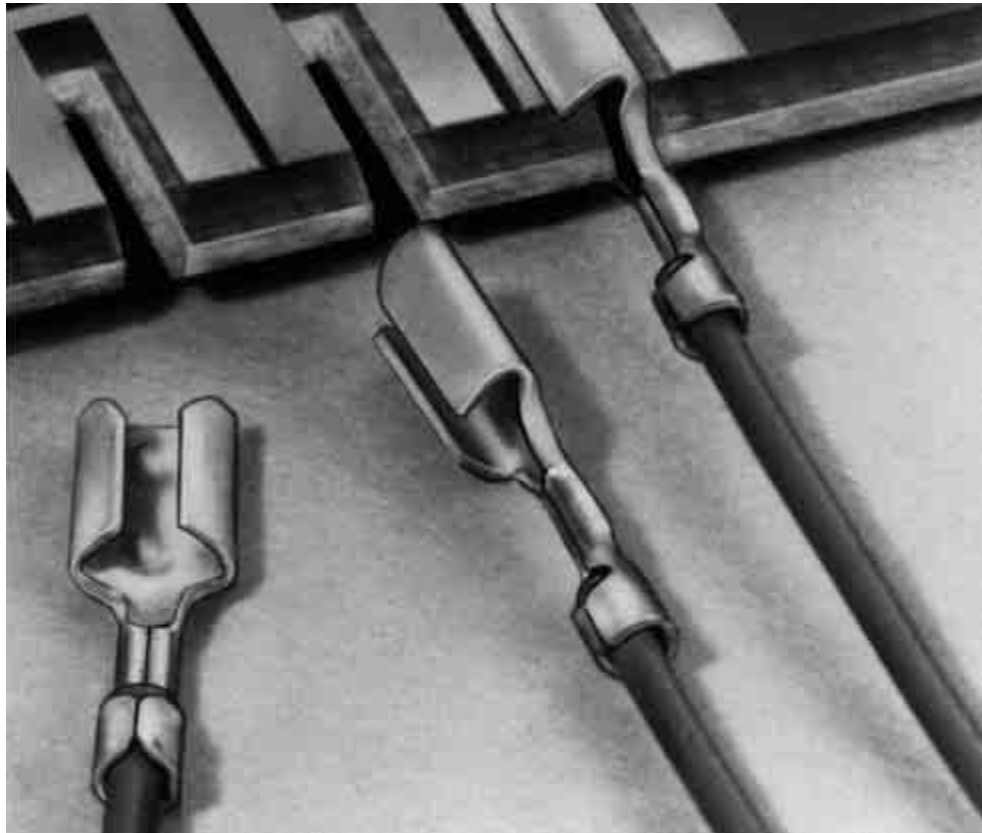
### Product Facts

- Friction fitting, quick connect/disconnects—no insertion nor extraction tools required
- Excellent vibration and shock resistance
- Accepts wire size range 32-16 AWG [0.03-1.4 mm<sup>2</sup>]
- Wide choice of materials and finishes
- High-speed machine terminated for volume production at lowest installed cost

### Technical Documents

#### Product Specification

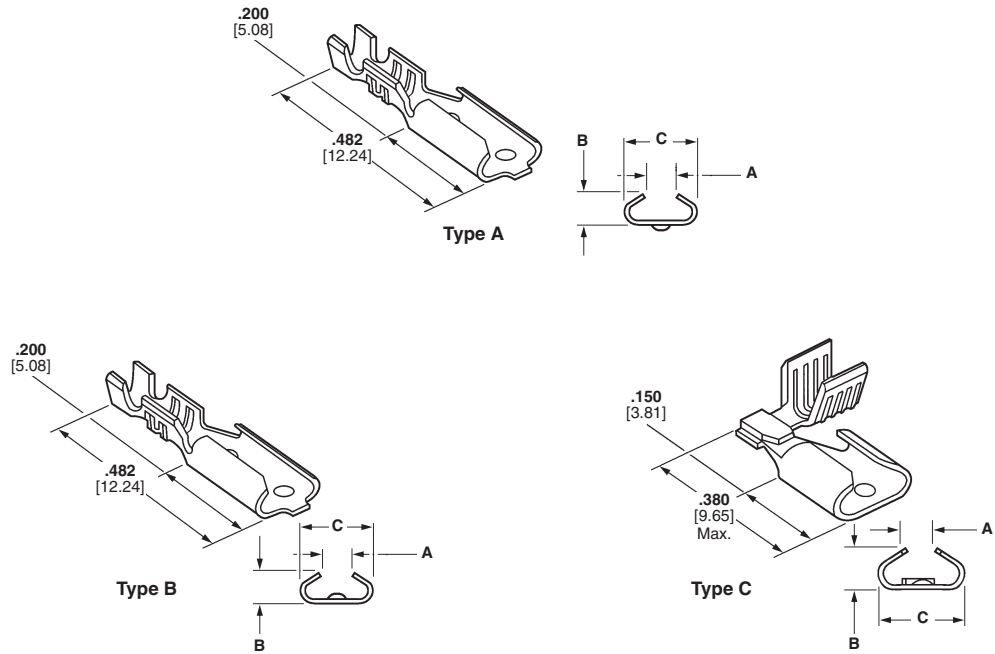
108-1011 AMP EDGE Terminals



AMP EDGE Terminals are quick connect/disconnect devices that adjust securely, through friction fitting, to machine slots in the type of board for which they are designed. Friction fitting not only precleans the contact areas, but also provides excellent vibration and shock resistance even under heavy stresses. Firm wire insulation support is a companion factor for positive retention in the board. These terminals, wholly aerated to eliminate moisture traps, may be applied anywhere on the perimeter of the board. They eliminate the need for eyelets and plated-through holes on two-sided boards and can be used back-to-back for commoning circuits.

**AMP EDGE Single Lead Printed Circuit Terminals (Continued)**

Related Product Data  
Application Tooling — pages 36-38



| Type | Wire Size Range |                 | Material   | Finish | Stock Thk.   | Ins. Dia.              | Board Thk.   | Dimensions   |              |              | Strip Form Part Nos. <sup>7</sup> |
|------|-----------------|-----------------|------------|--------|--------------|------------------------|--------------|--------------|--------------|--------------|-----------------------------------|
|      | AWG             | mm <sup>2</sup> |            |        |              |                        |              | A            | B            | C            |                                   |
| A    | 32-24           | 0.03-0.2        | Phos. Brz. | Tin    | .010<br>0.25 | .020-.050<br>0.51-1.27 | .062<br>1.57 | .045<br>1.14 | .080<br>2.03 | .153<br>3.89 | 61389-2 <sup>1</sup>              |
| A    | 30-22           | 0.05-0.4        | Phos. Brz. | Tin    | .010<br>0.25 | .075<br>1.91           | .062<br>1.57 | .046<br>1.17 | .080<br>2.03 | .153<br>3.89 | 61455-2 <sup>1</sup>              |
| A    | 22-20           | 0.4-0.6         | Phos. Brz. | Tin    | .010<br>0.25 | .075<br>1.91           | .062<br>1.57 | .050<br>1.27 | .080<br>2.03 | .153<br>3.89 | 42263-7 <sup>1</sup>              |
| B    | 22-18           | 0.4-0.8         | Phos. Brz. | Tin    | .010<br>0.25 | .080-.100<br>2.03-2.54 | .062<br>1.57 | .050<br>1.27 | .080<br>2.03 | .153<br>3.89 | 61561-2 <sup>2</sup>              |
| B    | 22-18           | 0.4-0.8         | Brass      | Tin    | .016<br>0.41 | .080-.100<br>2.03-2.54 | .062<br>1.57 | .052<br>1.32 | .088<br>2.24 | .160<br>4.06 | 60156-2 <sup>3</sup>              |
| B    | 22-18           | 0.4-0.8         | Brass      | Tin    | .016<br>0.41 | .080-.100<br>2.03-2.54 | .062<br>1.57 | .056<br>1.42 | .088<br>2.24 | .160<br>4.06 | 60704-1 <sup>4</sup>              |
| C    | 22-16           | 0.4-1.4         | Brass      | Tin    | .012<br>0.30 | —                      | .062<br>1.57 | .046<br>1.17 | .070<br>1.78 | .200<br>5.08 | 61782-1 <sup>5</sup>              |
| C    | 22-16           | 0.4-1.4         | Brass      | Tin    | .012<br>0.30 | —                      | .062<br>1.57 | .046<br>1.17 | .070<br>1.78 | .200<br>5.08 | 61782-2 <sup>6</sup>              |

<sup>1</sup>(2) dimples outside (.010 high) [0.25]

<sup>2</sup>(2) dimples inside (.020 high) [0.51]

<sup>3</sup>(2) dimples inside (.014 high) [0.36]

<sup>4</sup>(2) dimples inside (.005 high) [0.13]

<sup>5</sup>(2) dimples inside (.023 high) [0.58]

<sup>6</sup>(2) dimples inside (.023 high) [0.58], reverse reeled

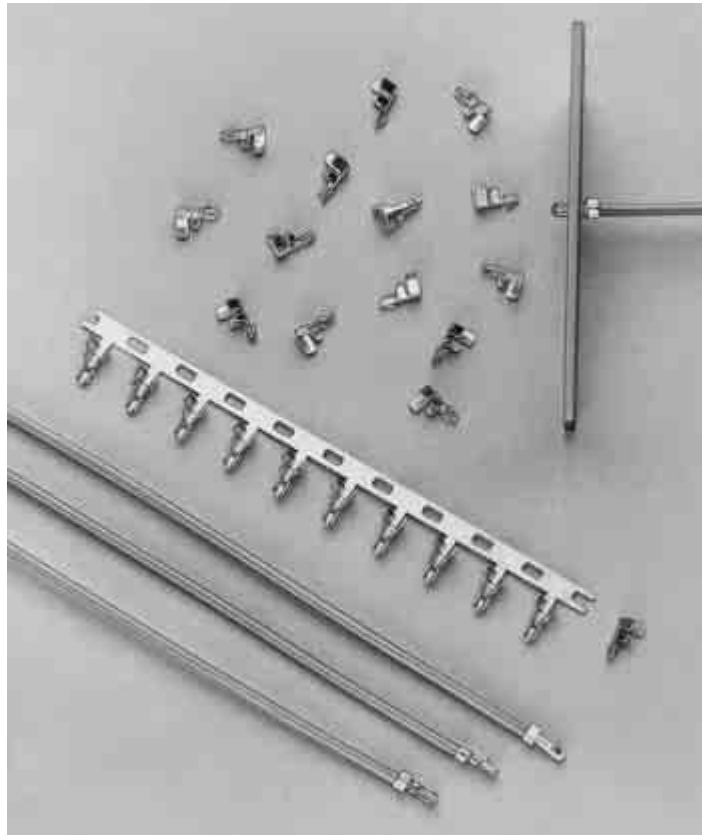
<sup>7</sup>Machine applied applicator required. For machine and applicator part numbers, call the Tooling Assistance Center at 1-800-722-1111.

**Note:** Part Numbers are RoHS compliant except: ♦ Indicates non-RoHS compliant.

## Miniature AMP-IN Terminals

### Product Facts

- Eliminates manual preparation of wires prior to soldering into pc boards
- Low applied cost
- Total height above pc board is less than most other components
- Available for 26-10 AWG, [0.15-5.5 mm<sup>2</sup>]
- Terminal locking lance holds wire in pc board for flow soldering
- Design allows both wire and terminal to be soldered and assures proper solder flow
- Insulation support provides strain relief for wire and protection of solder joint
- Type A terminals will provide both a positive board stop and positive insulation stop
- Type E terminal offers minimum below pc board length



The miniature AMP-IN Terminal is designed not as an electrical terminal but as a mechanical holding device to enhance soldering of hookup wires to printed circuit boards. The combination of terminal and application tooling eliminates costly manual preparation of wires prior to soldering, and positions the wire to achieve reliable solder joints. Movement of the wire during soldering is restricted, providing for proper solder flow.

### Technical Documents

#### Product Specification

108-1081

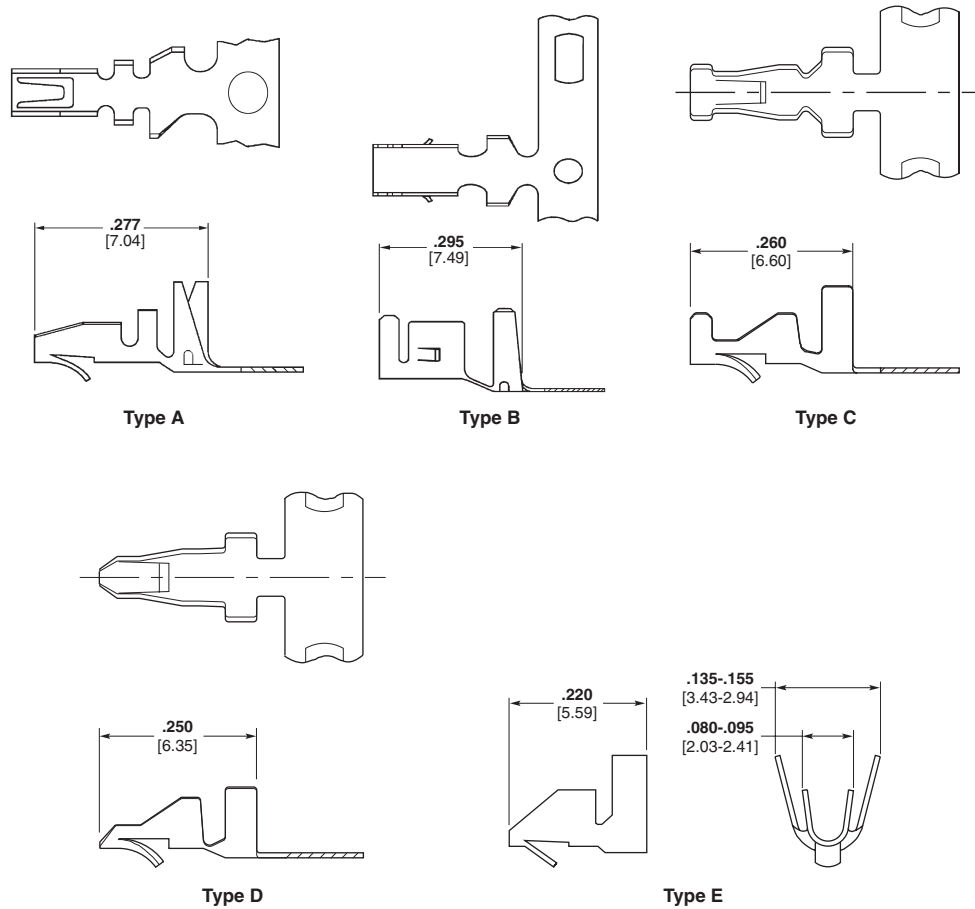
#### Application Specification

114-1016

#### Material and Finish

008 phosphor bronze, Pre-tin plated

**Pc Board Thickness** — .062 [1.57]

**Miniature AMP-IN Terminals** (Continued)


| Type | Wire Size Range |                 | Insulation Diameter    | Board Hole Diameter    | Extension Below Board (Ref.) | Strip Form Terminal Part Nos. <sup>3</sup> |
|------|-----------------|-----------------|------------------------|------------------------|------------------------------|--|
|      | AWG             | mm <sup>2</sup> |                        |                        |                              |  |
| A    | 22-18           | 0.3-0.9         | .060-.110<br>1.52-2.79 | .072±.003<br>1.83±0.08 | .100<br>2.54                 | 3-794121-1                                 |
|      | 26-22           | 0.12-0.4        | .040-.110<br>1.02-2.79 | .055±.004<br>1.40±0.10 | .100<br>2.54                 | 3-794122-1                                 |
| B    | 18-14           | 0.8-2.0         | .090-.150<br>2.29-3.81 | .125±.003<br>3.18±0.08 | .125<br>3.18                 | 3-770060-1                                 |
|      | 12              | 3.0             | .090-.150<br>2.29-3.81 | .125±.003<br>3.18±0.08 | .125<br>3.18                 | 3-794013-1                                 |
| C    | 22-18           | 0.4-0.8         | .060-.110<br>1.52-2.79 | .073±.004<br>1.85±0.10 | .100<br>2.54                 | 3-640311-1                                 |
|      | 26-22           | 0.15-0.4        | .040-.100<br>1.02-2.54 | .055±.004<br>1.40±0.10 | .100<br>2.54                 | 3-640401-1                                 |
| D    | 22-18           | 0.4-0.8         | .060-.110<br>1.52-2.79 | .073±.004<br>1.85±0.10 | .125<br>3.18                 | 3-350566-1                                 |
|      | 26-22           | 0.15-0.4        | .060-.100<br>1.52-2.54 | .055±.004<br>1.40±0.10 | .135<br>3.43                 | 3-640108-1                                 |
| E    | 22-18           | 0.8-0.4         | .060-.110<br>1.52-2.79 | .072±.004<br>1.83±0.10 | .090<br>2.29                 | 3-770565-2                                 |

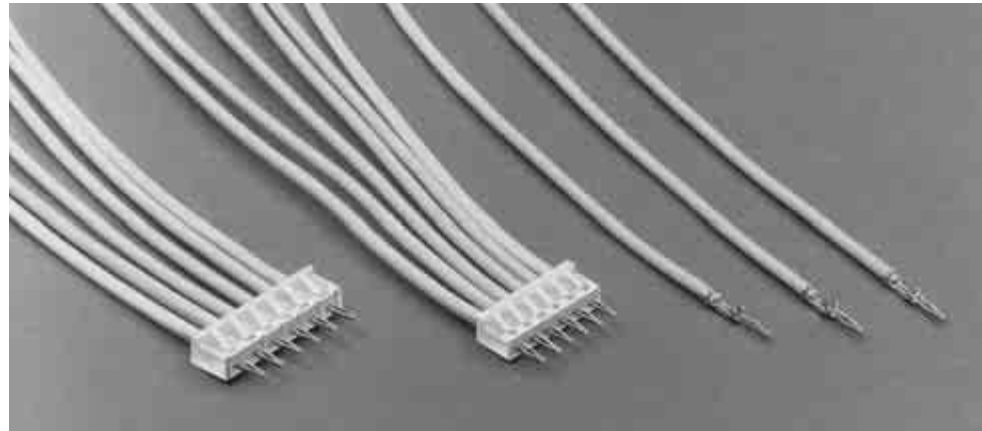
- Notes:**
- Higher tensile available with nose crimp type C.
  - Not available in loose piece.
  - No hand tools available.
  - Machine applied applicator required. For machine and applicator part numbers, call the Tooling Assistance Center at 1-800-722-1111.

**Note:** Part Numbers are RoHS compliant except: ♦ Indicates non-RoHS compliant.

## Low Profile Miniature AMP-IN Connectors

### Product Facts

- Connector housing provides gang insertion into pc board
- Housing insulates and provides short-circuit protection between contacts
- Housings are available in 2 to 15 positions for .079 [2.01] and 2 to 20 for .098 [2.49] centerline spacing
- Low profile design—.200 [5.08]
- Contacts available for 30-26 AWG [0.05-0.15 mm<sup>2</sup>] and 26-22 AWG [0.15-0.4 mm<sup>2</sup>]



Low Profile Miniature AMP-IN Connectors provide an easy means of gang inserting leads into printed circuit boards. The design of the crimp snap-in contact aids in locating the pc board hole and inserting the contact into that hole.

The low profile housing allows compactness of leads while providing insulation between them to prevent short-circuits. Housings are available in 2 to 15 positions for .079 [2.01] centerline spacing and 2 to 20 positions for .098 [2.49] centerline spacing.

Contacts come in 26-22 AWG [0.15-0.4 mm<sup>2</sup>] and 30-26 AWG [0.05-0.15 mm<sup>2</sup>] with insulation support crimp to provide strain relief. They accommodate a board thickness of .047 [1.19] to .062 [1.57].

### Technical Documents

#### Product Specification—

108-5163

#### Application Specification—

114-5062

### Material and Finish

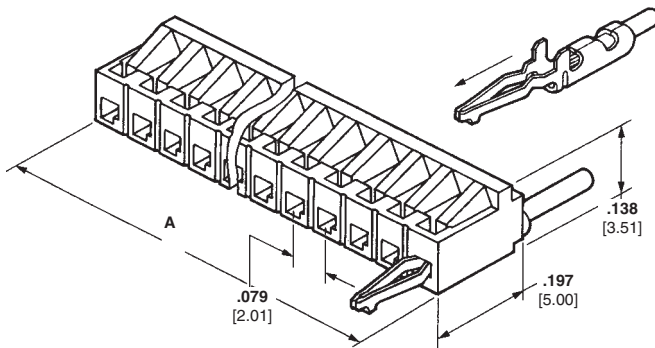
**Housing**—Nylon, 94V-0 rated

**Contact**—See chart

**Pc Board Thickness Range**—.047-.062 [1.19-1.57]

| Wire Size Range |                 | Insulation Diameter    | Hole Diameter | Material and Finish | Contact Part No.        |             | Hand Tool Part Nos. |
|-----------------|-----------------|------------------------|---------------|---------------------|-------------------------|-------------|---------------------|
| AWG             | mm <sup>2</sup> |                        |               |                     | Strip Form <sup>3</sup> | Loose Piece |                     |
| 30-26           | 0.05-0.15       | .043-.055<br>1.09-1.40 | .031<br>0.79  | Brass, Pre-Tin      | 172781-1                | 172797-1    | 755405-1            |
|                 |                 |                        | .039<br>0.99  | Brass, Tin          | 172781-4                | 172797-4    |                     |
| 26-22           | 0.15-0.4        | .055-.059<br>1.40-1.50 | .031<br>0.79  | Brass, Tin          | 172782-5                | —           | 755405-1            |
|                 |                 |                        | .039<br>0.99  | Brass, Tin          | 172782-7                | —           |                     |

- Notes:** 1. Refer to pages 36-38 for application tooling.  
2. Use Extraction Tool Part No. 753760-1.  
3. Machine applied applicator required. For machine and applicator part numbers, call the Tooling Assistance Center at 1-800-722-1111.



**Note:** Part Numbers are RoHS compliant except: ♦ Indicates non-RoHS compliant.

| No. of Positions | .079 [2.01] Centerline |            | .098 [2.49] Centerline |            |
|------------------|------------------------|------------|------------------------|------------|
|                  | A                      | Part Nos.  | A                      | Part Nos.  |
| 2                | .189<br>4.80           | 172890-2   | .236<br>5.99           | 172520-2   |
| 3                | .268<br>6.81           | 172890-3   | .335<br>8.51           | 172520-3   |
| 4                | .346<br>8.79           | 172890-4   | .433<br>11.00          | 172520-4   |
| 5                | .425<br>10.80          | 172890-5   | .532<br>13.51          | 172520-5   |
| 6                | .504<br>12.80          | 172890-6   | .630<br>16.00          | 172520-6   |
| 7                | .583<br>14.81          | 172890-7   | .729<br>18.52          | 172520-7   |
| 8                | .661<br>16.79          | 172890-8   | .827<br>21.01          | 172520-8   |
| 9                | .741<br>18.82          | 172890-9   | .926<br>23.52          | 172520-9   |
| 10               | .820<br>20.83          | 1-172890-0 | 1.024<br>26.01         | 1-172520-0 |
| 11               | —                      | —          | 1.123<br>28.52         | 1-172520-1 |
| 12               | .977<br>24.82          | 1-172890-2 | 1.221<br>31.01         | 1-172520-2 |
| 13               | —                      | —          | 1.320<br>33.53         | 1-172520-3 |
| 14               | —                      | —          | 1.418<br>36.02         | 1-172520-4 |
| 15               | 1.214<br>30.84         | 1-172890-5 | 1.517<br>38.53         | 1-172520-5 |
| 20               | —                      | —          | 2.010<br>51.05         | 2-172520-0 |

## Test Probe Receptacles

### Product Facts

- Leg mounts are "V" shaped to promote solder wicking and consistent fillets
- Receptacle is recessed in housing to prevent shorting or flashover
- Probe may be inserted in either end of test probe receptacle except Type C
- Housing color is molded, not dyed
- Accepts  $.080 \pm .001$  [ $2.03 \pm 0.025$ ] probes

### Material and Finish

**Housing**—Nylon type 6/6  
**Contact**—Beryllium copper  
**Receptacle and Legs**—Brass, ASTM B36, Alloy 6  
**Contact Plating**—See table below

### Technical Documents

**Product Specification**—  
 108-1082 Receptacle, Test Probe

### Performance Characteristics

**Insulation Resistance**—  
 10,000 megohms  
**Retention Value**—  
 16oz. [4.45 N]  
**Operating Temperature**—  
 55°C to 85°C [131°F to 185°F]

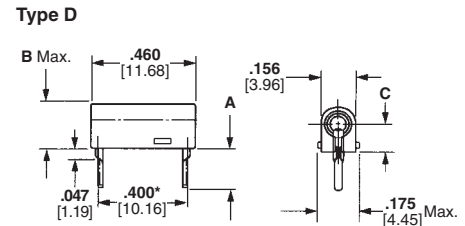
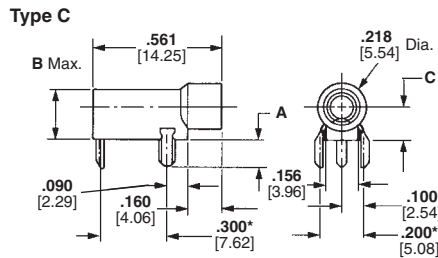
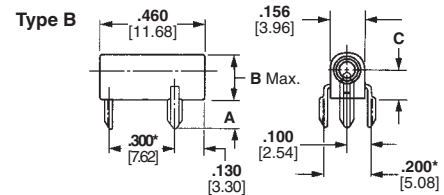
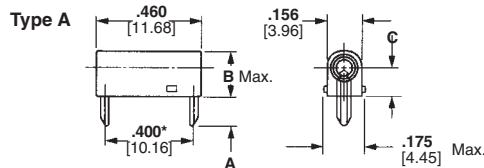


The Tyco Electronics line of Test Probe Receptacles is designed to provide low-cost test probe capability of circuits on pc boards, without interruption of operating currents, with precise reliability. Receptacles are available with either two or three mounting

legs. Two legs of a tri-leg mount are not part of the live testing circuit. Receptacles are also available either in the standard height, or in a taller height (to permit probing at any position on the board where clearance to probe is necessary). The three-leg mount gives maximum

stability. The two-leg mount yields maximum density.

The present line of test probe receptacles fits a range of board thicknesses from 1/32 to 1/8 depending on the length of the receptacle legs. The legs mount in  $.052$  [ $1.32$ ] diameter holes.



\*Mounting hole location for  $.050$ -. $054$  [ $1.27$ -. $1.37$ ] dia. holes.

### Color Suffix Table

| Suffix Dash Number | Housing Color |
|--------------------|---------------|
| -0                 | Black         |
| -1                 | Brown         |
| -2                 | Red           |
| -3                 | Orange        |
| -4                 | Yellow        |
| -5                 | Green         |
| -6                 | Blue          |
| -7                 | Violet        |
| -8                 | Gray          |
| -9                 | White         |

| Type | Contact Finish | Dimensions   |               |              | Housing Colors | Part Nos.* |
|------|----------------|--------------|---------------|--------------|----------------|------------|
|      |                | A            | B             | C            |                |            |
| A    | Bright Tin     | .130<br>3.30 | .230<br>5.84  | .138<br>3.51 | See Table      | 1-521799-x |
|      | Silver         | .130<br>3.30 | .230<br>5.84  | .138<br>3.51 | See Table      | 2-582118-x |
|      | Gold           | .130<br>3.30 | .230<br>5.84  | .138<br>3.51 | See Table      | 3-582118-x |
|      | Gold           | .130<br>3.30 | .230<br>5.84  | .138<br>3.51 | Natural        | 6-582118-9 |
|      | Bright Tin     | .130<br>3.30 | .467<br>11.86 | .375<br>9.53 | See Table      | 1-521800-x |
| B    | Gold           | .130<br>3.30 | .467<br>11.86 | .375<br>9.53 | See Table      | 3-582340-x |
|      | Gold           | .130<br>3.30 | .230<br>5.84  | .138<br>3.51 | See Table      | 3-582119-x |
| C    | Gold           | .130<br>3.30 | .467<br>11.86 | .375<br>9.53 | See Table      | 3-582120-x |
|      | Gold           | .130<br>3.30 | .230<br>5.84  | .138<br>3.51 | See Table      | 350180-x   |
| D    | Gold           | .180<br>4.57 | .230<br>5.84  | .138<br>3.51 | See Table      | 1-380736-x |
|      | Bright Tin     | .180<br>4.57 | .230<br>5.84  | .138<br>3.51 | Green          | 3-521801-5 |

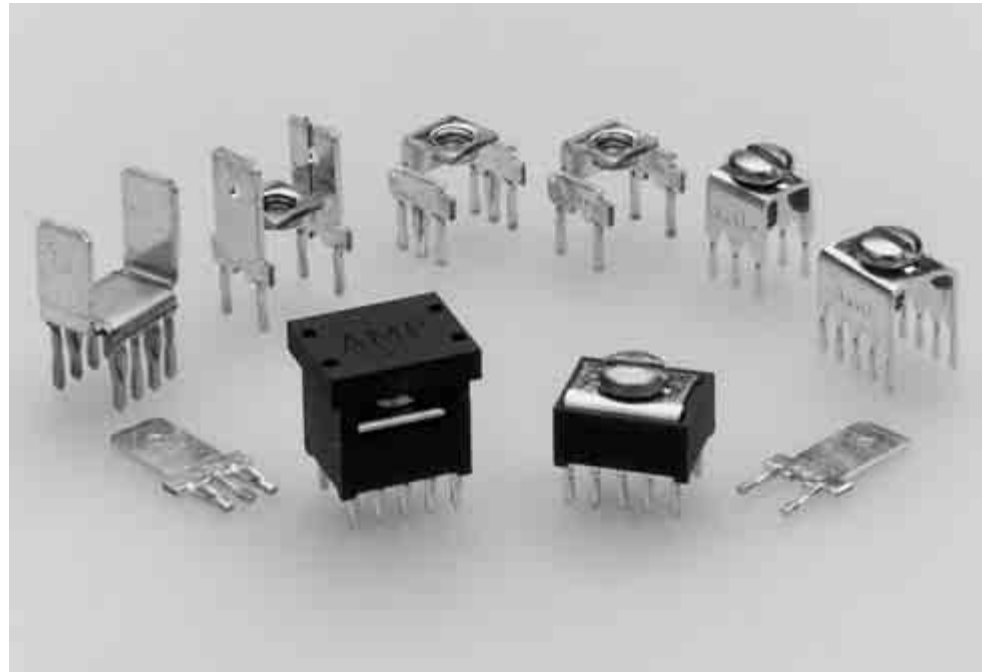
\*Part numbers with a numerical suffix are only for the specific color listed in the chart.

**Note:** Part Numbers are RoHS compliant except: ♦ Indicates non-RoHS compliant.

## Power Taps

### Product Facts

- **ACTION PIN** contacts eliminate soldering
- Provides high current, separable connection to pc board traces
- Wire-to-board connection using common terminals
- All metal-to-metal assembly for long-term integrity
- Standard DIP outlines (.300 x .100 [7.62 x 2.54]), 10 positions, and .250 x .125 [6.35 x 3.18], 6 and 10 positions, plus high current versions on .400 x .200 [10.16 x 5.08] footprint in 4 and 6 positions, .300 x .100 [7.62 x 2.54] in 8 positions, and both 2 and 3 position in-line .100 [2.54] tab taps
- Low resistance interface
- Internally threaded tap to secure screw to terminal
- Anti-rotational embossments hold wire and terminal in place
- Standard Power Taps rated at 2.5 amps per pin—6 position 15 amps, 10 position 25 amps current carrying capability
- High Current Power Taps rated at up to 5 amps per pin—2 position 10 amps, 3 position 15 amps, 4 and 6 position 20 amps and 8 position 40 amps



Tyco Electronics Power Taps are designed for the growing need for power to printed circuit board applications required in today's electronic industry. The taps provide a high current, separable connection to a pc board. Pin configuration is of the standard DIP outline with .300 x .100 [7.62 x 2.54] or .250 x .125 [6.35 x 3.18] for the Standard versions, plus .400 x .200 [10.16 x 5.08], .300 x .100 [7.62 x 2.54] and in-line spacing for the High Current versions.

ACTION PIN contacts provide a low resistance interface with tin plated-through holes in the pc board, thereby eliminating the need for soldering.

The variety of available power taps allow for various installation schemes. The Uninsulated Tap and Low Profile Tap can be used in bus bar pattern. The High Profile and Low Profile Taps offer insulation protection from other components. The High Current versions provide a greater power

density option with current ratings from 10 amps on the 2 position in-line .250 [6.35] tab tap up to 40 amps on the 8 position dual .250 [6.35] tab tap.

All Tyco Electronics Power Tap configurations are easily inserted into the pc board with a simple Tyco Electronics or customer supplied tool.



**Standard Power Taps**

**Standard Insulated Power Tap**

**Material and Finish**

**Connector Body and Lid**—Nylon, 105°C 94V-0 rated

**Contact**—Copper alloy, bright tin-lead plated and matte tin plated

**Screw**—Plated steel

**Electrical and Mechanical Characteristics**

**Resistance**—2 milliohms, max. (stud hole to ACTION PIN contact)

**Insertion Force**—40 lbs. [177.9 N], max. per pin

**Retention Force**—7 lbs. [31.1 N], min. per pin

**Technical Documents**

**Product Specification**

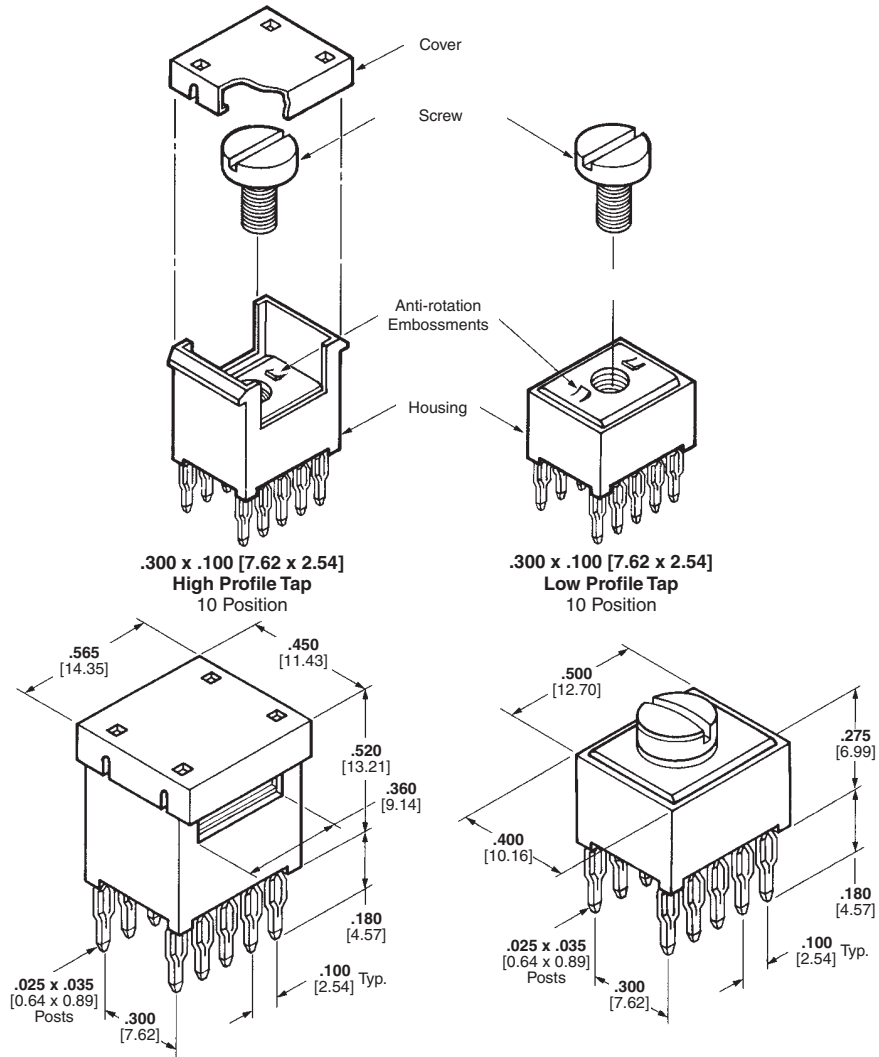
108-11030 Tap, Power Distribution

**Application Specification**

114-11000 Tap, Power Distribution

**Handbook**

5697 Guide to Application of ACTION PIN Connectors



| Tap Version  | Pcb Thickness          | Description  | Screw Hole Size | Part Nos. |           |
|--------------|------------------------|--|-----------------|-----------|-----------|
|              |                        |  |                 | Tin-Lead  | Tin       |
| High Profile | .062-.125<br>1.57-3.18 | Housing and contact assembled without screw <sup>1</sup> | 6-32            | 55557-3 ◆ | 5055557-3 |
| High Profile | .062-.125<br>1.57-3.18 | Housing and contact assembled with screw <sup>1,2</sup>  | 6-32            | 55557-4 ◆ | 5055557-4 |
| Low Profile  | .062-.125<br>1.57-3.18 | Housing and contact assembled with screw <sup>2</sup>    | 6-32            | 55556-4 ◆ | 5055556-4 |
| Low Profile  | .062-.125<br>1.57-3.18 | Housing and contact assembled with screw <sup>2,3</sup>  | 6-32            | 55673-2 ◆ | 5055673-2 |
| Low Profile  | .062-.125<br>1.57-3.18 | Housing and contact assembled without screw              | 6-32            | 55556-3 ◆ | 5055556-3 |
| Low Profile  | .062-.125<br>1.57-3.18 | Housing and contact assembled without screw              | M4              | 55556-9 ◆ | 5055556-9 |

<sup>1</sup>Cover not assembled  
<sup>2</sup>Screw not assembled  
<sup>3</sup>No anti-rotational embossments

**Note:** Part Numbers are RoHS compliant except: ◆ Indicates non-RoHS compliant.

**Standard Power Taps** (Continued)

**Standard Uninsulated Power Taps**

**Material and Finish**

**Contact**—Copper alloy, post plated bright tin-lead and matte tin plated

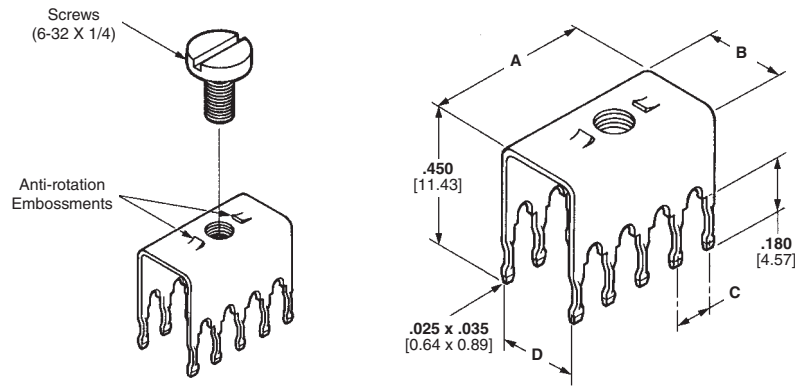
**Screw**—Stainless steel, passivated

**Electrical and Mechanical Characteristics**

**Resistance**—2 milliohms, max. (stud hole to ACTION PIN contact)

**Insertion Force**—40 lbs. [177.9 N] max. per pin

**Retention Force**—7 lbs. [31.1 N] min. per pin



| Size                                      | Pcb Thickness          | Dimensions    |              |              |              | Description   | Screw Size | Part Number            |             |
|---|------------------------|---------------|--------------|--------------|--------------|---------------|------------|------------------------|-------------|
|   |                        | A             | B            | C            | D            |               |            | Tin Lead               | Tin         |
| .300 x .100<br>7.62 x 2.54<br>10 Position | .062-.125<br>1.57-3.18 | .440<br>11.18 | .325<br>8.26 | .100<br>2.54 | .300<br>7.62 | Without Screw | 6-32       | 55558-3 ♦              | 5055558-3   |
|   |                        |               |              |              |              | With Screw    | 6-32       | 55558-4 ♦              | 5055558-4   |
|   |                        |               |              |              |              | Without Screw | 6-32       | 55558-7 ♦ <sup>1</sup> | 5055558-7   |
| .250 x .125<br>6.35 x 3.18<br>6 Position  | .062-.125<br>1.57-3.18 | .320<br>8.13  | .275<br>6.99 | .125<br>3.18 | .250<br>6.35 | Without Screw | 6-32       | 55323-5 ♦              | 5055323-5   |
|   |                        |               |              |              |              | With Screw    | 6-32       | 55323-9 ♦              | 5055323-9   |
| .250 x .125<br>6.35 x 3.18<br>10 Position | .062-.125<br>1.57-3.18 | .570<br>14.48 | .275<br>6.99 | .125<br>3.18 | .250<br>6.35 | Without Screw | 6-32       | 55323-6 ♦              | 5055323-6   |
|   |                        |               |              |              |              | With Screw    | 6-32       | 1-55323-0 ♦            | 1-5055323-0 |

<sup>1</sup>No Anti-rotation Embossments

**High Current\* Power Taps**

\*Up to 20 amps

**Material and Finish**

**Contact**—Phosphor bronze, tin-lead and matte tin plated

**Screw**—Stainless steel, passivated

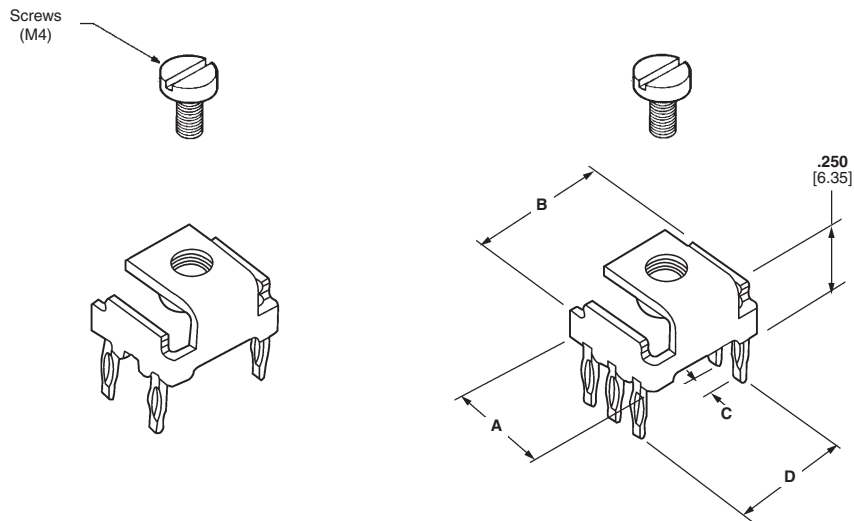
**Washer**—Stainless steel

**Electrical and Mechanical Characteristics**

**Current Rating**—20 amperes max.

**Insertion Force**—40 lbs. [180 N] max. per pin

**Retention Force**—7 lbs. [30 N] min. per pin



| Size       | Pcb Thickness          | Dimensions   |               |              |               | Description   | Part Number |            |
|------------|------------------------|--------------|---------------|--------------|---------------|---------------|-------------|------------|
|            |                        | A            | B             | C            | D             |               | Tin Lead    | Tin        |
| 4 Position | .062-.125<br>1.57-3.18 | .358<br>9.09 | .431<br>10.95 | .200<br>5.08 | .400<br>10.16 | With Screw    | 213815-1 ♦  | 5-213815-1 |
|            |                        |              |               |              |               | Without Screw | 216906-1 ♦  | —          |
| 6 Position | .062-.125<br>1.57-3.18 | .358<br>9.09 | .431<br>10.95 | .100<br>2.54 | .400<br>10.16 | With Screw    | 213816-1 ♦  | 5-213816-1 |
|            |                        |              |               |              |               | Without Screw | 216907-1 ♦  | —          |

<sup>1</sup>No Anti-rotation Embossments featured on High Current Taps. Therefore, if application requires, use of Bellville lock-washers with a high surface contact area are strongly recommended.

**Note:** Part Numbers are RoHS compliant except: ♦ Indicates non-RoHS compliant.

## High Current\* Power Taps

Designed to mate with  
**FASTON and Positive-Lock  
Receptacles**

\*Up to 5 amps per pin

### Material and Finish

**Contact**—Phosphor bronze, post plated tin-lead, except as noted in chart

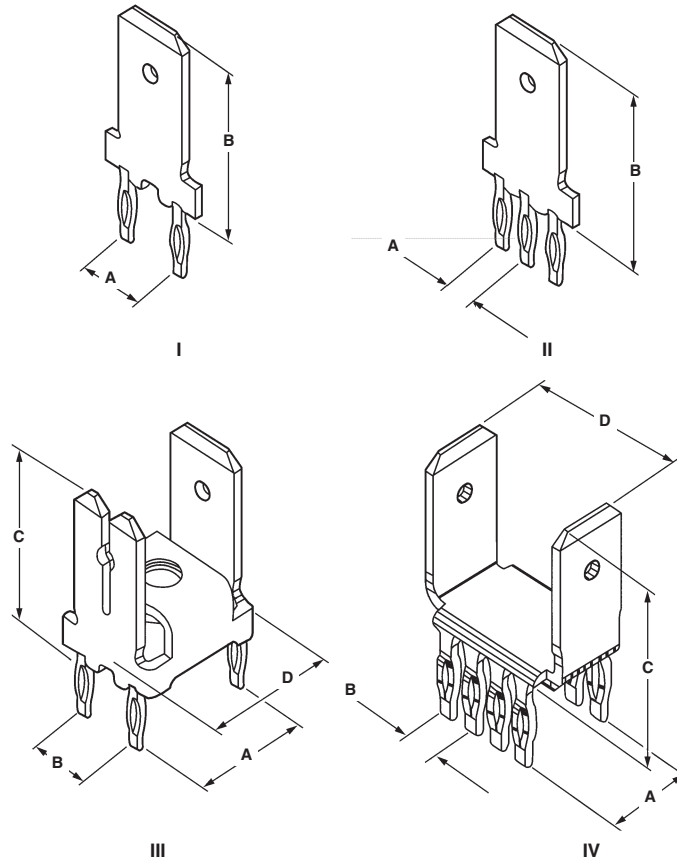
**Screw**—Stainless steel, passivated

**Washer**—Stainless steel

### Electrical and Mechanical Characteristics

**Current Rating**—5 amps max. per pin

**Insertion Force**—40 lbs. [180 N]  
max. per pin



| Style | Pcb Thickness              | Dimensions    |               |               |               | Configuration  | Description                                  | Part Number             | Receptacle Mating |
|-------|----------------------------|---------------|---------------|---------------|---------------|--|--|-------------------------|-------------------|
|       |                            | A             | B             | C             | D             |  |  |                         |                   |
| I     | .062 x .125<br>1.57 x 3.18 | .200<br>5.08  | .531<br>13.49 | —             | —             | 1-.250 x .032<br>6.35 x 0.81 Tab                                     | With Hole                                    | 216926-1 ♦              | Positive Lock     |
| II    | .062 x .125<br>1.57 x 3.18 | .100<br>2.54  | .531<br>13.49 | —             | —             | 2-.250 x .032<br>6.35 x 0.81 Tab                                     | With Hole                                    | 216843-1 ♦              | Positive Lock     |
| III   | .062 x .125<br>1.57 x 3.18 | .400<br>10.16 | .200<br>5.08  | .531<br>13.49 | .431<br>10.95 | 1-.250 x .032<br>6.35 x 0.81 Tab<br>2-.110 x .032<br>2.79 x 0.81 Tab | With Hole<br>Without Washer<br>Without Screw | 216905-1 ♦ <sup>1</sup> | Positive Lock     |
| IV    | .125<br>3.18               | .300<br>7.62  | .100<br>2.54  | .485<br>12.32 | .500<br>12.7  | 2-.250 x .032<br>6.35 x 0.81 Tab                                     | With Dimple                                  | 5167892-3 <sup>2</sup>  | FASTON Receptacle |
|       |                            |               |               |               |               |  | With Hole                                    | 167892-6 <sup>2</sup>   | Positive Lock     |

<sup>1</sup>No Anti-rotation Embossments featured on High Current Taps. Therefore, if application requires product supplied without washer and screw, use of lockwashers with a high surface contact area are strongly recommended.

<sup>2</sup>Phosphor bronze, post plated matte tin.

**Note:** Part Numbers are RoHS compliant except: ♦ Indicates non-RoHS compliant.

**Application Tooling/PCB Layout**

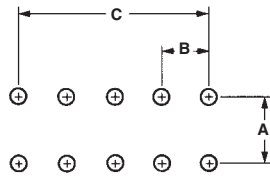
**For Standard Threaded Taps Only**

**Recommended Pc Board Layout**

**Drilled Hole Diameter**—  
.0453±.001 [1.15±0.03]

**After Plating**  
.037-.043 [0.94-1.09]

**After Reflow**—  
.036-.043 [0.91-1.09]

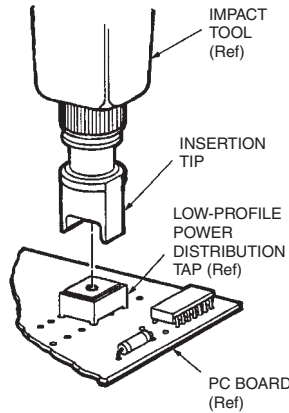


| Size                                      | Dimensions   |              |               |
|---|--------------|--------------|---------------|
|   | A            | B            | C             |
| .300 x .100<br>7.62 x 2.54<br>10 Position | .300<br>7.62 | .100<br>2.54 | .400<br>10.16 |
| .250 x .125<br>6.35 x 3.18<br>6 Position  | .250<br>6.35 | .125<br>3.18 | .250<br>6.35  |
| .250 x .125<br>6.35 x 3.18<br>10 Position | .250<br>6.35 | .125<br>3.18 | .500<br>12.7  |

**Installation and Extraction Tooling**

**Impact Insertion Tool Number 313102-1**

(Insertion Tip Part No. 58133-1 required)



Extraction Tool Number 68380-1

**For High Current and FASTON Taps**

**Recommended Pc Board Layout**

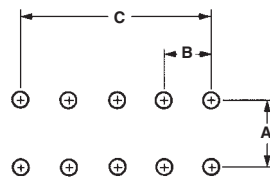
**Drilled Hole Diameter**—  
.063±.001 [1.60±0.03]

**Cu Thickness**—  
.001-.003 [0.03-0.08]

**Sn Thickness**—  
.0002 min.[0.004 min.]

**Finished Hole**—  
.055-.061 [1.39-1.54]

**After Reflow**—  
.054-.061 [1.36-1.54]



| Type       | Dimensions    |              |              |
|------------|---------------|--------------|--------------|
|            | A             | B            | C            |
| 4 Position | .400<br>10.16 | .200<br>5.08 | .200<br>5.08 |
| 6 Position | .400<br>10.16 | .100<br>2.54 | .200<br>5.08 |
| I          | —             | .200<br>5.08 | .200<br>5.08 |
| II         | —             | .100<br>2.54 | .200<br>5.08 |
| III        | .400<br>10.16 | .200<br>5.08 | .200<br>5.08 |
| IV         | .300<br>7.62  | .100<br>2.54 | .300<br>7.62 |

**Installation Tooling**

Use with Hand Press  
Part No. **677430-1**

**High Current Power Tap**

| Type       | Part Number            | Tooling Part Number |                      |
|------------|------------------------|---------------------|----------------------|
|            |                        | Upper Tool          | Lower Tool           |
| 4 Position | 216906-1               |                     |                      |
| 6 Position | 216907-1               | 432848-1            | 433600-2 or 432130-2 |
| Style I    | 216926-1               |                     |                      |
| Style II   | 216843-1               | 432845-1            | 433600-2 or 432130-2 |
| Style III  | 216905-1               | 432847-1            | 433600-2 or 432130-2 |
| Style IV   | 5-167892-3<br>167892-6 | 432849-1            | 433600-2 or 432130-2 |

**Note:** Part Numbers are RoHS compliant except: ♦ Indicates non-RoHS compliant.

**Application Tooling**

**AMPOMATOR CLS IV+  
Lead-Making Machines,  
Part Nos. 356500-1, -2**



Fully-automatic machines that measure, cut, strip and terminate single leads. Microprocessor-controlled, and programmed and operated using an easy-to-follow, menu-driven touch-screen. Features include direct-drive terminating units with precision crimp height adjustment, fully programmable setups, wire runout and splice detection, and motorized pre-feed with wire straightener. Crimp quality monitoring is also available.

For more information, request Catalog **124324**.

**AMP-O-MATIC Stripper-  
Crimper Machines,  
Part Nos. 1320895-1, -2**



Semiautomatic bench crimping machines that also strip the wire, and are therefore used for terminating jacketed cable. Feature manual precision adjustment of crimp height, keyed strip blades for faster, more accurate setups, and an efficient scrap removal system. All adjustments can be made from the front of the machines without special tools. Available with crimp quality monitoring.

For more information, request Catalog **65004**.

**AMP-O-LECTRIC Model "G"  
Terminating Machines,  
Part Nos. 354500-1, -9, -11**



Semiautomatic bench machines for crimping reeled terminals and contacts, featuring a quiet and reliable direct motor drive, microprocessor controls for ease of setup and operation, and guarding and lighting designed for operator convenience. All models are equipped with either manual or automatic precision adjustment of crimp height. Machine-mounted sensors are available for crimp quality monitoring using conventional miniature-style applicators.

For more information, request Catalog **65828**.

**AMP 3K/40 and AMP 5K/40  
Terminating Machines**



As a value oriented terminator, the AMP 3K/40 and AMP 5K/40 terminators are designed for customers that require the increased output and quality of a semiautomatic machine at a competitive price. By incorporating the most commonly requested features as standard and offering a long list of optional equipment, these terminators offer flexibility to meet the specific needs of various applications at the lowest possible cost.

For more information, request Catalog **1654856**.

**Optional Stripping Module  
for the AMP 3K/40,  
AMP 5K/40 and  
AMP-O-LECTRIC Model "G"  
Terminating Machines**



The combination of the Stripping Module with the AMP-O-LECTRIC Model "G" Terminator or the AMP 3K/40, and AMP 5K/40 terminating machines provides an economical, proficient method of stripping wire and crimping terminals on the same machine. Wires are stripped moments before crimping, meaning there is virtually no chance of damaging wire conductors during handling or storage. Once the wire is fed into the start sensor, the Stripping Module does the rest, improving placement accuracy.

For more information, request Catalog **1309085**.

**Note:** Part Numbers are RoHS compliant except: ♦ Indicates non-RoHS compliant.

---

## Application Tooling (Continued)

---

### Applicators



Applicators manufactured from high grade tool steels, and processed through state-of-the-art CNC equipment for tightest tolerances. Made for high repeatability and fast throughput.

We offer an unmatched selection of applicator styles and terminals types, with configurations for both Tyco Electronics and other manufacturers' terminals.

For more information, request Catalogs **296393** and **296393-2**.

### The EDGE, Electronic Applicator Counter



The new, versatile EDGE applicator counter tracks wearable tool usage for the most effective maintenance planning. The completely electronic counter, with clear LCD display, indicates cycles since installation. By performing maintenance at measured intervals with pre-set limits, operators avoid breakdowns and rejects caused by tool wear or mis-adjustment.

For more information, request Catalog **1773385**.

### CERTI-CRIMP Straight Action Hand Tools (SAHT)



Premium grade hand tools featuring ratchet control to provide complete crimp cycle. Die sets close in a straight line. Include a contact locator and wire stop, plus an insulation crimp adjustment lever, when applicable. Approximate weight 1.3 lb [0.59 kg]

For more information, request Catalog **65780**.

**Application Tooling** (Continued)

**AMP-O-MATIC "U" Frame  
Machine Part No. 691679-1  
(Installs Board Mount  
Receptacles)**

**Product Specifications**

**Weight** — 50 lbs.  
**Width** — 18  
**Height** — 23  
**Depth** — 19  
**Air Supply** — 80 psi  
**Electrical Power** — 115 VAC, 60 Hz



These insertion machines install contacts into printed circuit boards at rates to 2000 per hour. A spotlight highlights the insertion area and a lower tooling assures precise board location. The machines are actuated by a foot pedal and are bench mounted.

**Comp-U-Sertor II  
Machines, Part Nos.  
122300-1, -2**



Microprocessor-controlled X-Y positioning table inserts a variety of products into pc boards, including .025<sup>2</sup> stamped or bandoliered posts, mini-spring sockets, and FASTON tabs. Insertion heads for various products are interchangeable, and can be used with bench machines. Controlled, programmed and operated using an interactive touch-screen. Options include double-action clinch tooling, powered dereeler, splice run-out detector, take-up winder for paper tape, and scrap chopper.

For more information, request Catalog **296059**.

**Modular Insertion System  
(MIS) Bench Machines,  
217600 Series, 662820  
Series (shown)**

| Strip Form Part Number | Insertion Head Part Number |
|------------------------|----------------------------|
| 60802-1                | 904554-1                   |
| 60802-2                | 904554-1                   |
| 60809-1                | 904554-1                   |
| 60809-2                | 904554-1                   |
| 60809-4                | 904554-1                   |
| 60813-1                | 904554-1                   |
| 61038-1                | 904554-1                   |
| 60824-1                | 904554-2                   |
| 60824-2                | 904554-2                   |
| 640967-2               | 904554-2                   |
| 641944-1               | 904554-2                   |
| 60973-1                | 904554-2                   |
| 60973-2                | 904554-2                   |
| 61137-1                | 904558-1                   |



Bench machines for inserting a variety of products into pc boards. Uses the same interchangeable insertion heads as the Comp-U-Sertor II Machines. Series 217600 features a manually-operated X-Y positioning fixture and locator spotlight. The machine cycles when the board hole is placed on the anvil and both triggers on the dual handles attached to the X-Y fixture are depressed. Series 662820, without board fixturing, cycle automatically when the hole is properly located. A stabilizing disk over the anvil helps keep the board level. For more information, request Catalog **296059**.

**Note:** Part Numbers are RoHS compliant except: ♦ Indicates non-RoHS compliant.

## Part Number Index

**Note:** This index lists all cataloged parts by base no. only. Complete part nos. (with prefixes and/or suffixes) are shown on the page(s) indicated.

| Part No. | Page   | Part No. | Page   | Part No. | Page       |
|----------|--------|----------|--------|----------|------------|
| 35022    | 25     | 63024    | 22     | 360041   | 13         |
| 42263    | 27     | 63025    | 22     | 360042   | 13         |
| 55323    | 34     | 63066    | 9      | 380736   | 31         |
| 55556    | 33     | 63067    | 9      | 432130   | 36         |
| 55557    | 33     | 63525    | 12     | 432845   | 36         |
| 55558    | 34     | 63566    | 5      | 432847   | 36         |
| 55673    | 33     | 63572    | 5      | 432848   | 36         |
| 60156    | 27     | 63603    | 12     | 432849   | 36         |
| 60284    | 11     | 63650    | 9      | 433600   | 36         |
| 60354    | 25     | 63755    | 9      | 435850   | 25         |
| 60598    | 25     | 63756    | 14     | 452383   | 25         |
| 60704    | 27     | 63794    | 14     | 453850   | 25         |
| 60753    | 24     | 63824    | 10     | 467322   | 7          |
| 60789    | 25     | 63838    | 12     | 521382   | 16         |
| 60802    | 24, 39 | 63839    | 9      | 521384   | 16         |
| 60803    | 24     | 63849    | 10     | 521799   | 31         |
| 60809    | 24, 39 | 63860    | 13     | 521800   | 31         |
| 60813    | 24, 39 | 63862    | 10     | 521801   | 31         |
| 60824    | 24, 39 | 63900    | 9      | 552699   | 18, 19, 20 |
| 60839    | 24     | 63949    | 10     | 552714   | 20         |
| 60874    | 24     | 63950    | 10     | 553593   | 19         |
| 60888    | 25     | 63951    | 11     | 553594   | 19         |
| 60940    | 25     | 63952    | 11     | 553595   | 19         |
| 60973    | 24, 39 | 63968    | 11     | 554935   | 18, 20     |
| 60983    | 25     | 63969    | 11     | 582118   | 31         |
| 60986    | 25     | 63982    | 13     | 582119   | 31         |
| 61018    | 24     | 63986    | 9      | 582120   | 31         |
| 61038    | 24, 39 | 63994    | 11     | 582340   | 31         |
| 61067    | 24     | 90131    | 25     | 640024   | 25         |
| 61097    | 24     | 90135    | 25     | 640108   | 29         |
| 61119    | 25     | 90221    | 25     | 640259   | 25         |
| 61134    | 14     | 90314    | 25     | 640311   | 29         |
| 61137    | 24, 39 | 91507    | 25     | 640394   | 24         |
| 61260    | 25     | 122300   | 39     | 640401   | 29         |
| 61276    | 25     | 167892   | 35, 36 | 640663   | 29         |
| 61291    | 25     | 172520   | 30     | 640967   | 24, 39     |
| 61389    | 27     | 172781   | 30     | 641944   | 24, 39     |
| 61455    | 27     | 172782   | 30     | 662820   | 39         |
| 61513    | 25     | 172797   | 30     | 691679   | 39         |
| 61543    | 12     | 172890   | 30     | 725963   | 14         |
| 61561    | 27     | 213815   | 34     | 725996   | 14         |
| 61782    | 27     | 213816   | 34     | 755405   | 30         |
| 61907    | 12     | 216843   | 35, 36 | 770060   | 29         |
| 61968    | 14     | 216905   | 35, 36 | 770565   | 29         |
| 62111    | 7      | 216906   | 34, 36 | 794013   | 29         |
| 62172    | 7      | 216907   | 34, 36 | 794037   | 29         |
| 62199    | 7      | 216926   | 35, 36 | 794121   | 29         |
| 62221    | 12     | 217600   | 39     | 794122   | 29         |
| 62395    | 14     | 230549   | 20     | 853439   | 5          |
| 62403    | 12     | 230707   | 19     | 904554   | 24, 39     |
| 62409    | 9      | 231279   | 20     | 904558   | 24, 39     |
| 62411    | 11     | 231890   | 20     | 904608   | 5          |
| 62437    | 14     | 274377   | 22     | 928814   | 11         |
| 62650    | 9      | 350015   | 25     | 1217056  | 9          |
| 62669    | 14     | 350180   | 31     | 1217057  | 12         |
| 62745    | 7      | 350189   | 25     | 1217061  | 13         |
| 62751    | 7, 11  | 350196   | 25     | 1217062  | 13         |
| 62806    | 7, 11  | 350393   | 25     | 1217080  | 11         |
| 62977    | 22     | 350491   | 24     | 1217107  | 11         |
| 63003    | 22     | 350566   | 29     | 1217124  | 13         |
| 63004    | 22     | 354500   | 37     | 1217125  | 10         |
| 63007    | 22     | 356500   | 37     | 1217126  | 10         |



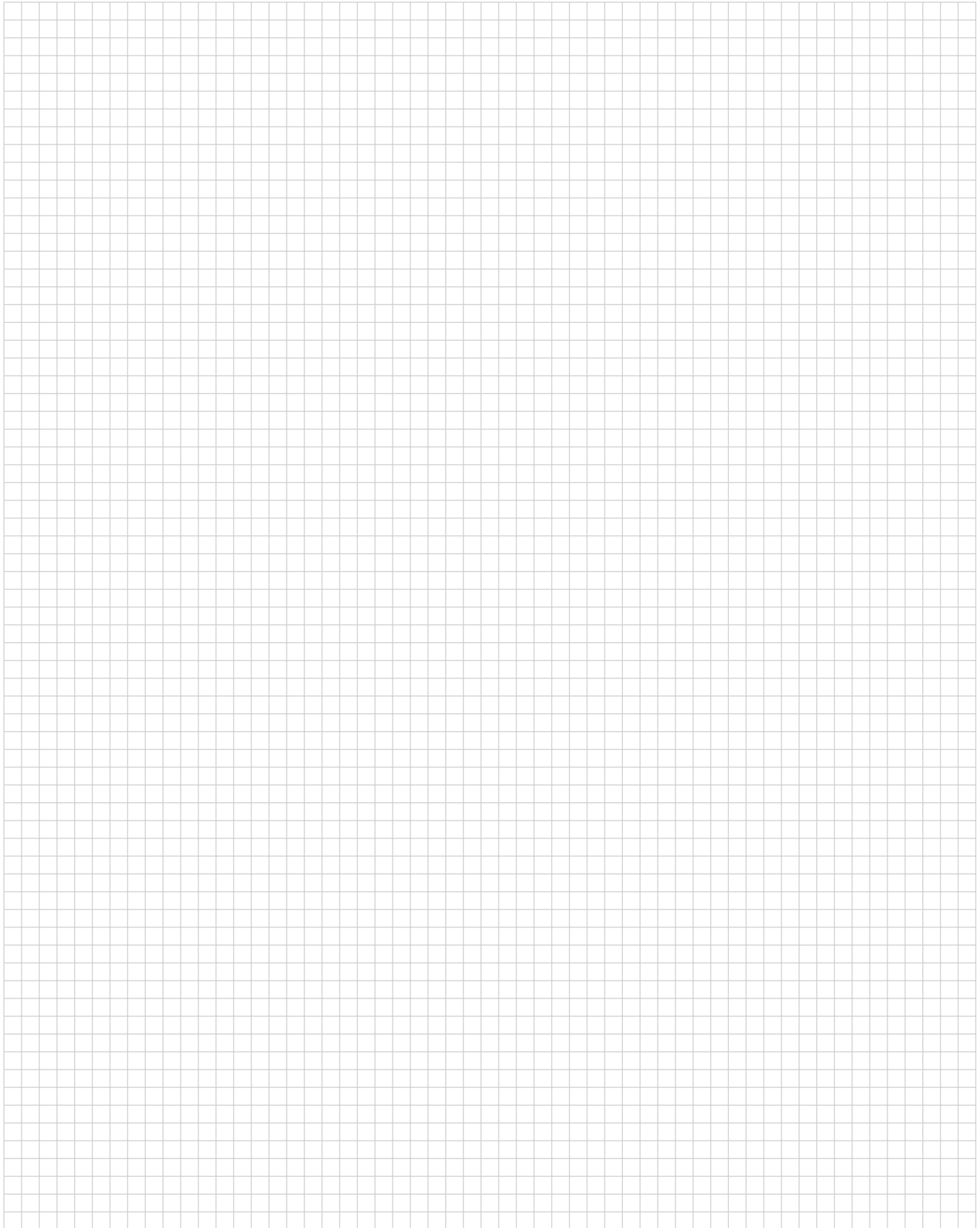
**Part Number Index** (Continued)

| Part No. | Page | Part No. | Page       | Part No. | Page       |
|----------|------|----------|------------|----------|------------|
| 1217127  | 10   | 1217421  | 10         | 1742254  | 18, 19, 20 |
| 1217131  | 12   | 1217514  | 14         | 1742255  | 18, 19, 20 |
| 1217136  | 10   | 1217566  | 9          | 1742361  | 13         |
| 1217137  | 11   | 1217577  | 14         | 1742362  | 13         |
| 1217156  | 13   | 1217754  | 11         | 5055323  | 34         |
| 1217167  | 10   | 1217756  | 13         | 5055556  | 33         |
| 1217169  | 10   | 1320895  | 37         | 5055557  | 33         |
| 1217180  | 11   | 1742188  | 10         | 5055558  | 34         |
| 1217332  | 13   | 1742253  | 18, 19, 20 | 5055673  | 33         |

---

**Engineering Notes**

---



**Americas**

**Argentina** – Buenos Aires  
 Phone: +54-11-4733-2200  
 Fax: +54-11-4733-2211

**Brasil** – São Paulo  
 Phone: +55-11-3611-1311  
 Fax: +55-11-3611-0397

**Canada** – Toronto  
 Phone: +905-475-6222  
 Fax: +905-474-5520

**Product Information Center:  
 (Technical Support)**  
 Phone: +905-470-4425  
 Fax: +905-474-5525

**Colombia** – Bogota  
 Phone: +57-1-231-9398  
 Fax: +57-1-660-0206

**Mexico** – Mexico City  
 Phone: +52-55-1106-0800  
 +01-800-733-8926  
 Fax: +52-55-1106-0901

**United States** – Harrisburg, PA  
 Phone: +717-564-0100  
 Fax: +717-986-7575  
**Product Information Center:  
 (Technical Support)**  
 Phone: +800-522-6752  
 Fax: +717-986-7575

**For Latin/South American  
 Countries not shown**  
 Phone: +54-11-4733-2015  
 Fax: +54-11-4733-2083

**Asia/Pacific**

**Australia** – Sydney  
 Phone: +61-2-9554-2600  
 Fax: +61-2-9502-2556  
**Product Information Center:  
 (Technical Support)**  
 Phone: +61-2-9840-8200  
 Fax: +61-2-9634-6188

**India** – Bangalore  
 Phone: +91-80-285-40800  
 Fax: +91-80-285-40820

**Indonesia** – Jakarta  
 Phone: +65-6482-0311  
 Fax: +65-6482-1012

**Japan** – Toyko  
 Phone: +81-44-844-8111  
 Fax: +81-44-812-3207  
**Product Information Center:  
 (Technical Support)**  
 Phone: +81-44-844-8013  
 Fax: +81-44-812-3200

**Korea** – Seoul  
 Phone: +82-2-3415-4500  
 Fax: +82-2-3486-3810

**Malaysia** – Kuala Lumpur  
 Phone: +60-3-78053055  
 Fax: +60-3-78053066

**New Zealand** – Auckland  
 Phone: +64-9-634-4580  
 Fax: +64-9-634-4586

**Philippines** – Makati City  
 Phone: +632-848-0171  
 Fax: +632-867-8661

**People's Republic of China**  
 Hong Kong  
 Phone: +852-2735-1628  
 Fax: +852-2735-0243

Shanghai  
 Phone: +86-21-2407-1588  
 Fax: +86-21-2407-1599

Taiwan – Taipei  
 Phone: +886-2-8768-2788  
 Fax: +886-2-8768-2268

**Singapore** – Singapore  
 Phone: +65-6482-0311  
 Fax: +65-6482-1012

**Thailand** – Bangkok  
 Phone: +66-2-955-0500  
 Fax: +66-2-955-0505

**Vietnam and Indochina** –  
 Ho Chi Minh City  
 Phone: +84-8 930-5546  
 Fax: +84-8 930-3443

**Europe/Middle East/Africa**

**Austria** – Vienna  
 Phone: +43-1 90 5 60-0  
 Fax: +43-1 90 5 60-1333

**Belgium** – Kessel-Lo  
 Phone: +32-16-35-23-00  
 Fax: +32-16-35-23-52

**Bulgaria** – Sofia  
 Phone: +359-2-971-2152  
 Fax: +359-2-971-2153

**Czech Republic** – Kurim  
 Phone: +420-5-41-162-111  
 Fax: +420-5-41-162-223

**Denmark** – Glostrup  
 Phone: +45-43-480-452  
 Fax: +45-43-441-414

**Egypt** – Cairo  
 Phone: +20-2-29 04 281  
 Fax: +20-2-41 92 334

**Estonia** – Tartu  
 Phone: +372-5138-274  
 Fax: +372-7400-779

**Finland** – Helsinki  
 Phone: +358-95-12-34-20  
 Fax: +358-95-12-34-250

**France** – Cergy-Pontoise  
 Phone: +33-1-3420-8888  
 Fax: +33-1-3420-8600

**Product Information Center:  
 (Technical Support)**  
 Phone: +33-1-3420-8943  
 Fax: +33-1-3420-8623

**Germany** – Bensheim  
 Phone: +49-6251-133-0  
 Fax: +49-6251-133-1600  
**Product Information Center:  
 (Technical Support)**  
 Phone: +49-6251-133-1999  
 Fax: +49-6251-133-1988

**Germany** – Langen  
 Phone: +49-6103-709-0  
 Fax: +49-6103-709-1223

**Germany** – Speyer  
 Phone: +49-6232-30-0  
 Fax: +49-6232-30-2243

**Germany - HTS Division** – Neunkirchen  
 Phone: +49-2247-305-0  
 Fax: +49-2247-305-122

**Greece** – Athens  
 Phone: +30-210-9370-396/397  
 Fax: +30-210-9370-655

**Hungary** – Budapest  
 Phone: +36-1-289-1000  
 Fax: +36-1-289-1010

**Ireland** – Dublin  
 Phone: +353-1-820-3000  
 Fax: +353-1-820-9790

**Israel** – Yokneam  
 Phone: +972-4-959-0508  
 Fax: +972-4-959-0506

**Italy** – Collegno (Torino)  
 Phone: +39-011-4012-111  
 Fax: +39-011-4031116

**Lithuania** – Vilnius  
 Phone: +370-5-2131-402  
 Fax: +370-5-2131-403

**Netherlands** – 's-Hertogenbosch  
 Phone: +31-73-624-62-46  
 Fax: +31-73-621-23-65

**Product Information Center:  
 (Technical Support)**  
 Phone: +31-73-6246-999  
 Fax: +31-73-6246-998

**Norway** – Nesbru  
 Phone: +47-66-77-8886  
 Fax: +47-66-77-8855

**Poland** – Warsaw  
 Phone: +48-22-45-76-700  
 Fax: +48-22-45-76-720

**Romania** – Bucharest  
 Phone: +40-21-311-3479/3596  
 Fax: +40-21-312-0574

**Russia** – Moscow  
 Phone: +7-495-926-5506/07/08/09  
 Fax: +7-495-926-5505

**Russia** – St. Petersburg  
 Phone: +7-812-718-8192  
 Fax: +7-812-718-8193

**Slovenia** – Ljubljana  
 Phone: +386-1561-3270  
 Fax: +386-1561-3240

**South Africa** – Port Elizabeth  
 Phone: +2741-503-4500  
 Fax: +2741-581-0440

**Spain** – Barcelona  
 Phone: +34-93-291-0330  
 Fax: +34-93-201-7879  
**Product Information Center:  
 (Technical Support):**  
 Phone: +34-93-291-0330  
 Fax: +34-93-200-3779

**Sweden** – Upplands Väsby  
 Phone: +46-8-50-72-50-00  
 Fax: +46-8-50-72-50-01

**Switzerland** – Steinach  
 Phone: +41-71-447-0447  
 Fax: +41-71-447-0444

**Turkey** – Istanbul  
 Phone: +90-212-281-8181/2/3  
 Fax: +90-212-281-8184

**Ukraine** – Kiev  
 Phone: +380-044-206-2265  
 Fax: +380-044-206-2264

**United Kingdom** – Swindon  
 Phone: +44-8706-080-208  
 Fax: +44-1793-572-516  
**Product Information Center:  
 (Technical Support)**  
 Freephone GB: 0800-267-666  
 Phone: +44-8706-080-208  
 Fax: +44-208-420-8081

**For Middle East/African Countries  
 Not Shown**  
 Phone: +33-1-3420-8866  
 Fax: +33-1-3420-8300

**Tyco Electronics Corporation**  
Harrisburg, PA

[tycoelectronics.com](http://tycoelectronics.com)

82159-PDF-LUG-12-07



# Mouser Electronics

Authorized Distributor

Click to View Pricing, Inventory, Delivery & Lifecycle Information:

[TE Connectivity:](#)

[60809-1](#)