
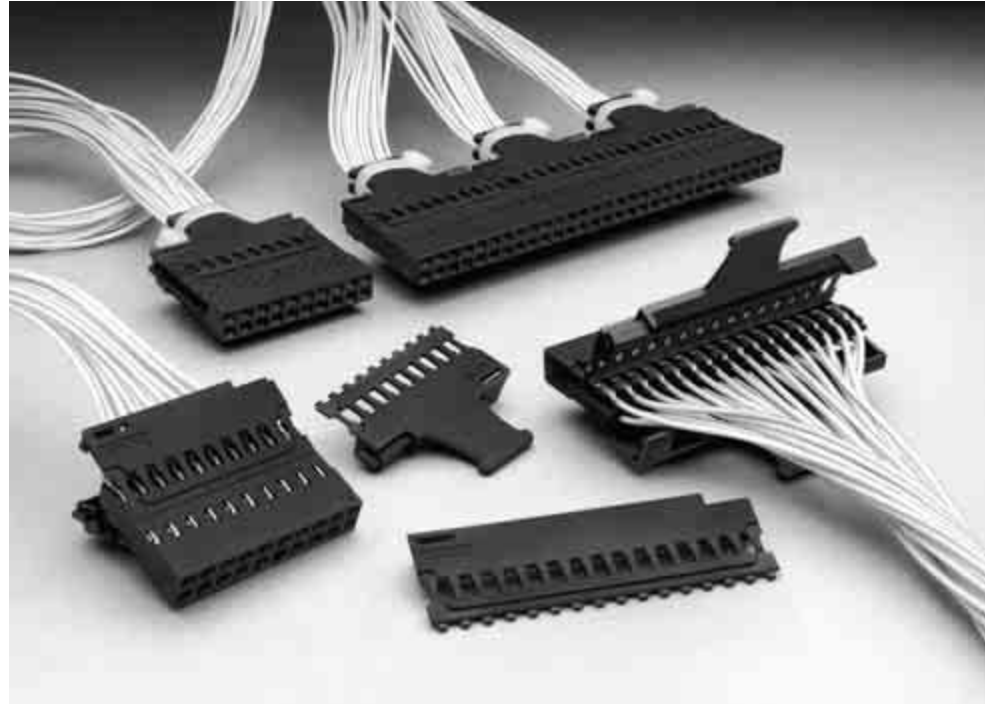


Level V IDC Connectors, .125 x .125 [3.18 x 3.18] Centerline

Product Facts

- Termination of discrete wire sizes 26-22 AWG [0.12-0.3 mm²] as well as jacketed cable and bonded ribbon cable (conductors separated)
- Connectors stackable end-to-end and side-to-side on .125 [3.18] centers
- Connectors preloaded with insulation displacement receptacle contacts
- Contact design employs dual cantilever beams, redundant insulation displacement slots, built-in post stop and wire support crimp
- Copper alloy contacts are duplex plated
- Snap-on covers with or without cable tie paddles
- Full line of mass termination tooling offers lowest installed costs for most production needs
- Recognized under the Component Program of Underwriters Laboratories Inc.,  File No. E28476
- Certified by Canadian Standards Association,  File No. LR 7189



AMPMODU Level V IDC connectors provide cost effective discrete wire connections that are compatible with today's telecommunications packaging techniques. These connectors are designed to mate with .025 [0.64] sq. posts on .125 x .125 [3.18 x 3.18] centers and are comprised of double-row housings preloaded with insulation displacement receptacle contacts, snap-on hermaphroditic covers, and a full line of mass termination tooling to meet virtually every production need. For modular flexibility, connectors can be stacked end-to-end or side-to-side, maintaining a .125 x .125 [3.18 x 3.18] centerline spacing.

Covers can be furnished with and without a cable tie paddle. The covers are simply snapped onto a housing after the connector has been terminated.

The receptacle contacts feature the Tyco Electronics insulation displacement crimp technique for achieving top quality, low cost terminations. These contacts employ dual cantilever beams for redundant interface with a mating post, an integral post stop to limit post mating depth and protect the crimp termination, and a wire support (strain relief) crimp to prevent accidental wire pull-out. The contacts are made of high conductivity copper alloy and are duplex plated.

Performance Characteristics

Contact Current Rating — 3 amperes

Termination Resistance — 12 milliohms (max.)

Durability — Ref. Product Specification 108-25028 (Interconnection System, Insulation Displacement Connector, IDC Level)

Application Specification 114-25020 (Interconnection System, IDC Level V, Application of)

Receptacle Assemblies, Double-Row, .125 x .125 [3.18 x 3.18] Centerline

Housings Preloaded with Insulation Displacement Crimp Receptacle Contacts



Material and Finish

Housing — Black thermoplastic, flame retardant

Contacts — Copper alloy, duplex plated .000050 [0.00127] gold on contact area, .000100 [0.00254] min. tin in crimp area, with entire contact underplated .000050 [0.00127] nickel

Note: Preloaded contacts accept max. insulation dia. of .050 [1.27]. The minimum point of contact, as measured from front edge of housing, is .095 [2.41].

Technical Documents — pages 277, 278

Product Specification
108-25028

Application Specification
114-25020

Receptacle assemblies can be stacked end-to-end and side-to-side on .125 x .125 [3.18 x 3.18] centers.



| No. of Pos. | Dimensions | | Receptacle Assembly (Stamped ¹) for 26-22 AWG [0.12-0.3 mm ²] Wire |
|-------------|---------------|---------------|--|
| | A | B | |
| 8 | .493 [12.52] | .375 [9.52] | 102935-4 |
| 10 | .618 [15.70] | .500 [12.70] | 102935-6 |
| 12 | .743 [18.87] | .625 [15.88] | 102935-8 |
| 16 | .993 [25.22] | .875 [22.23] | 1-102935-2 |
| 20 | 1.243 [31.57] | 1.125 [28.58] | 1-102935-6 |
| 24 | 1.493 [37.92] | 1.375 [34.93] | 1-102935-9 |
| 30 | 1.868 [47.45] | 1.750 [44.45] | 1-102935-3 |
| 32 | 1.993 [50.62] | 1.875 [47.63] | 2-102935-8 |
| 40 | 2.493 [63.32] | 2.375 [60.33] | 3-102935-6 |

¹White ink stamped, one side—8- thru 12-position with AMP and arrow; 14- and 16-position with AMP, part no., and arrow; 18- thru 40-position with AMP, part no., date code and arrow.

- Notes:**
- Covers for these housings are shown on pages 281 & 282.
 - Termination tooling for these connectors are shown on page 273-275.
 - 14- and 18-position receptacle assemblies, as well as other sizes, can be made available upon request. Consult Tyco Electronics.

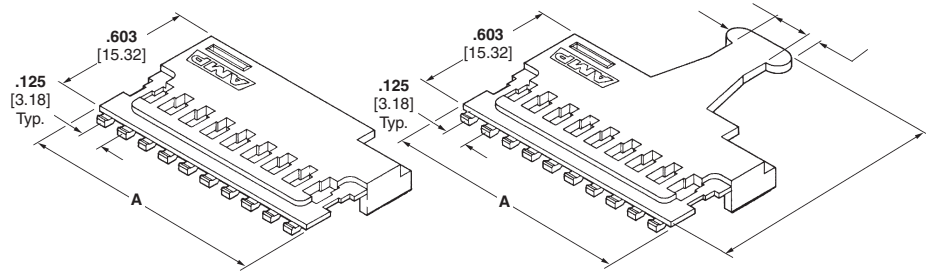
Note: All part numbers are RoHS compliant.

Hermaphroditic Covers for Level V IDC Receptacle Assemblies, Double-Row, .125 x .125 [3.18 x 3.18] Centerline

All covers illustrated here and on the following page can be used on the double-row Level V IDC connectors shown on page 280.

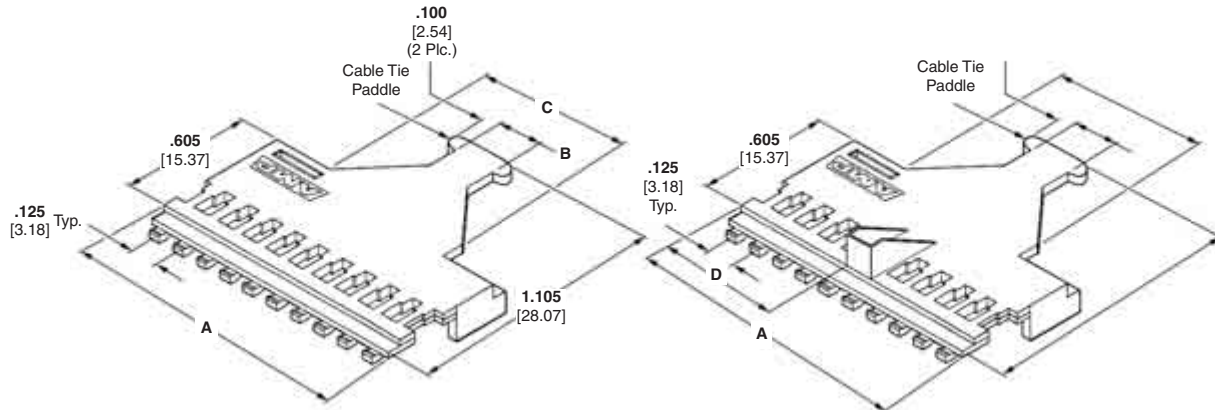
Material

Black thermoplastic, flame retardant, 94V-0 rated



Cover 103056 Series
without Cable Tie Paddle

Cover 103058 Series
with Cable Tie Paddle



Cover 103349 Series
with Wide Cable Tie Paddle

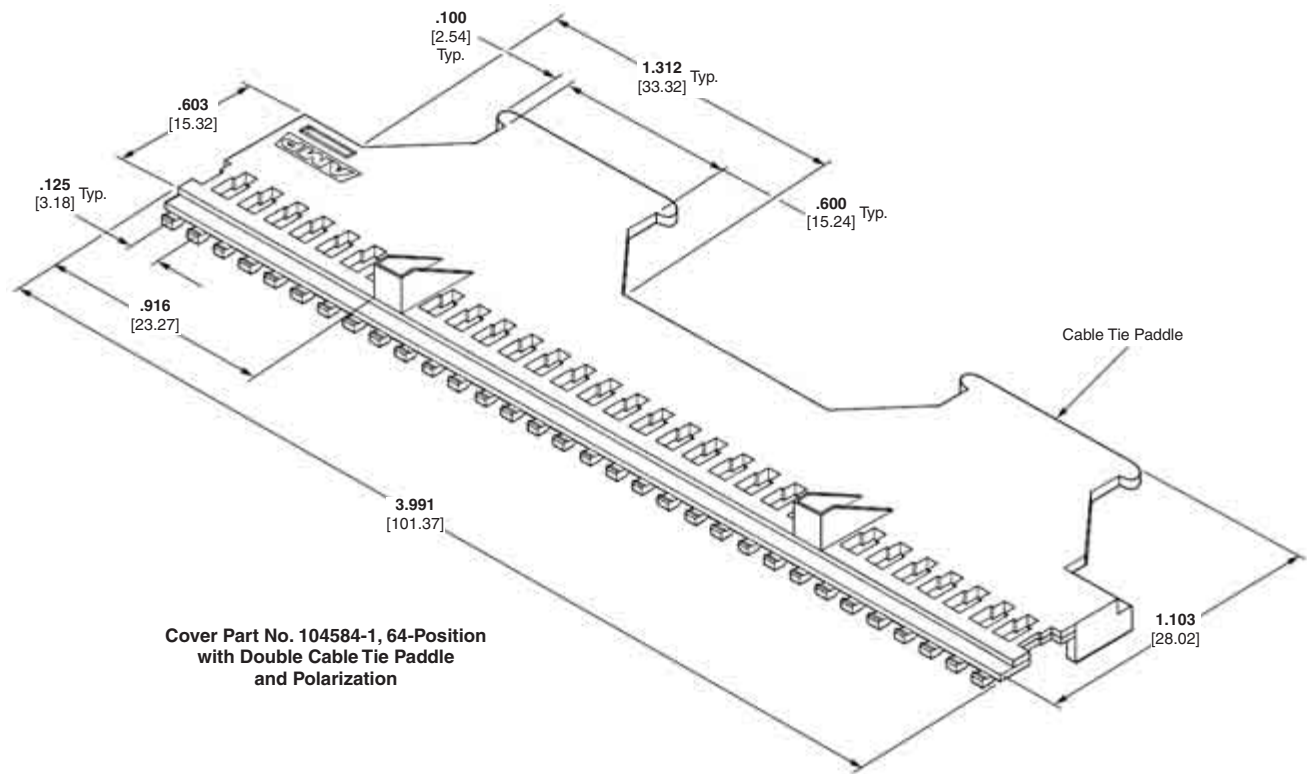
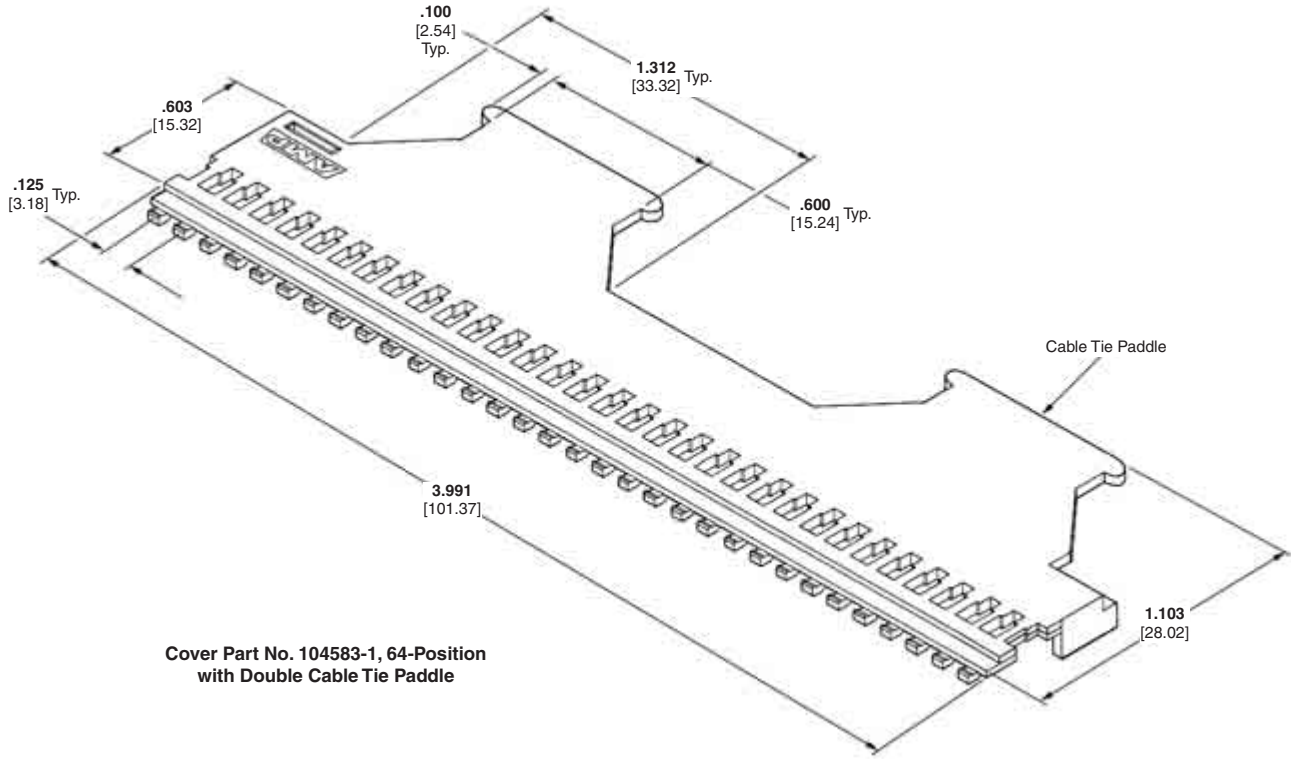
Cover 103350 Series
with Wide Cable Tie Paddle
and Polarization

| No. of Pos. (Housing Size) | Dimensions | | | | | Cover Part Nos. | | | |
|----------------------------|--|--------------|---------------|---------------|--------------|--------------------------|-----------------------|----------------------------|---|
| | A | B | C | D | E | Without Cable Tie Paddle | With Cable Tie Paddle | With Wide Cable Tie Paddle | With Wide Cable Tie Paddle and Polarization |
| 8 | .491 [12.47] | .150 [3.81] | .285 [7.24] | .166 [4.22] | .125 [3.18] | — | — | 103349-4 | 103350-4 |
| 10 | .616 [15.65] | — | — | — | .125 [3.18] | — | 103058-3 | — | — |
| 12 | .741 [18.82] | — | — | — | .200 [5.08] | — | 103058-4 | — | — |
| 16 | .991 [25.17] | .300 [7.62] | .592 [15.04] | .416 [10.57] | — | — | — | 103349-1 | 103350-1 |
| 20 | 1.241 [31.52] | .300 [7.62] | .592 [15.04] | .541 [13.74] | — | — | — | 103349-5 | 103350-5 |
| 24 | 1.491 [37.87] | — | — | — | .400 [10.16] | 1-103056-0 | 1-103058-0 | — | — |
| 32 | 1.991 [50.57] | .600 [15.24] | 1.312 [33.32] | .916 [23.27] | — | — | — | 103349-2 | 103350-2 |
| 40 | 2.491 [63.27] | .750 [19.05] | 1.820 [46.23] | 1.166 [29.61] | — | — | — | 103349-3 | 103350-3 |
| 64 | See page 282 for Double Cable Tie Paddle versions. | | | | | | | | |

Notes: 1. Two hermaphroditic covers of any style can be installed on a double-row connector housing.
2. Other sizes can be made available upon request.

Note: All part numbers are RoHS compliant.

Hermaphroditic Covers for Level V IDC Receptacle Assemblies, Double-Row, .125 x .125 [3.18 x 3.18] Centerline (Continued)



Note: All part numbers are RoHS compliant.

.125 [3.18] x .125 [3.18] Centerline
6

AMPMODU .031 x .062 [0.79 x 1.57] Interconnection System

Product Facts

- Rugged connector system featuring .031 x .062 [0.79 x 1.57] posts with mating receptacles
- Current rating 5 amps max per contact. Varies due to ambient temperature, wire size and duty cycles.
- Available for board-to-board and wire-to-board applications
- Posts available on strip for machine application directly to pc board or in housings for board mounting
- Receptacles available for board mounting or wire crimping
- Contacts available in both tin and gold plating
- Flame retardant thermoplastic housings 94V-0 rated
- Locking Clip contacts available to mate with .031 x .062 [0.79 x 1.57] posts
- Recognized under the Component Program of Underwriters Laboratories Inc.,  File No. E28476
- Certified by Canadian Standards Association,  File No. LR 16455



The .031 x .062 [0.79 x 1.57] interconnection system has served as an industry standard for modular packaging for over three decades. It is a rugged, large scale system designed for board-to-board and board-to-wire or cable applications that has offered millions of reliable interconnections and countless mating cycles. This versatile interconnection system successfully meets the requirements for most modular power supply packaging.

Board mounted receptacles and receptacle assemblies are available in various geometries, offering packaging interconnections that include perpendicular, parallel and stacking

capabilities. Machine applied terminations, through matched application equipment, are geared to virtually any production requirement, assuring the lowest possible applied cost.

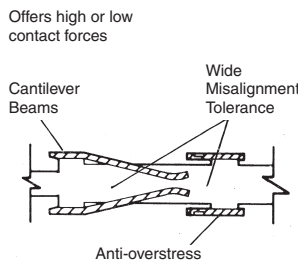
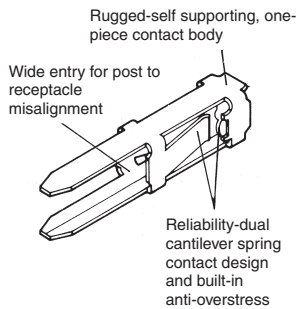
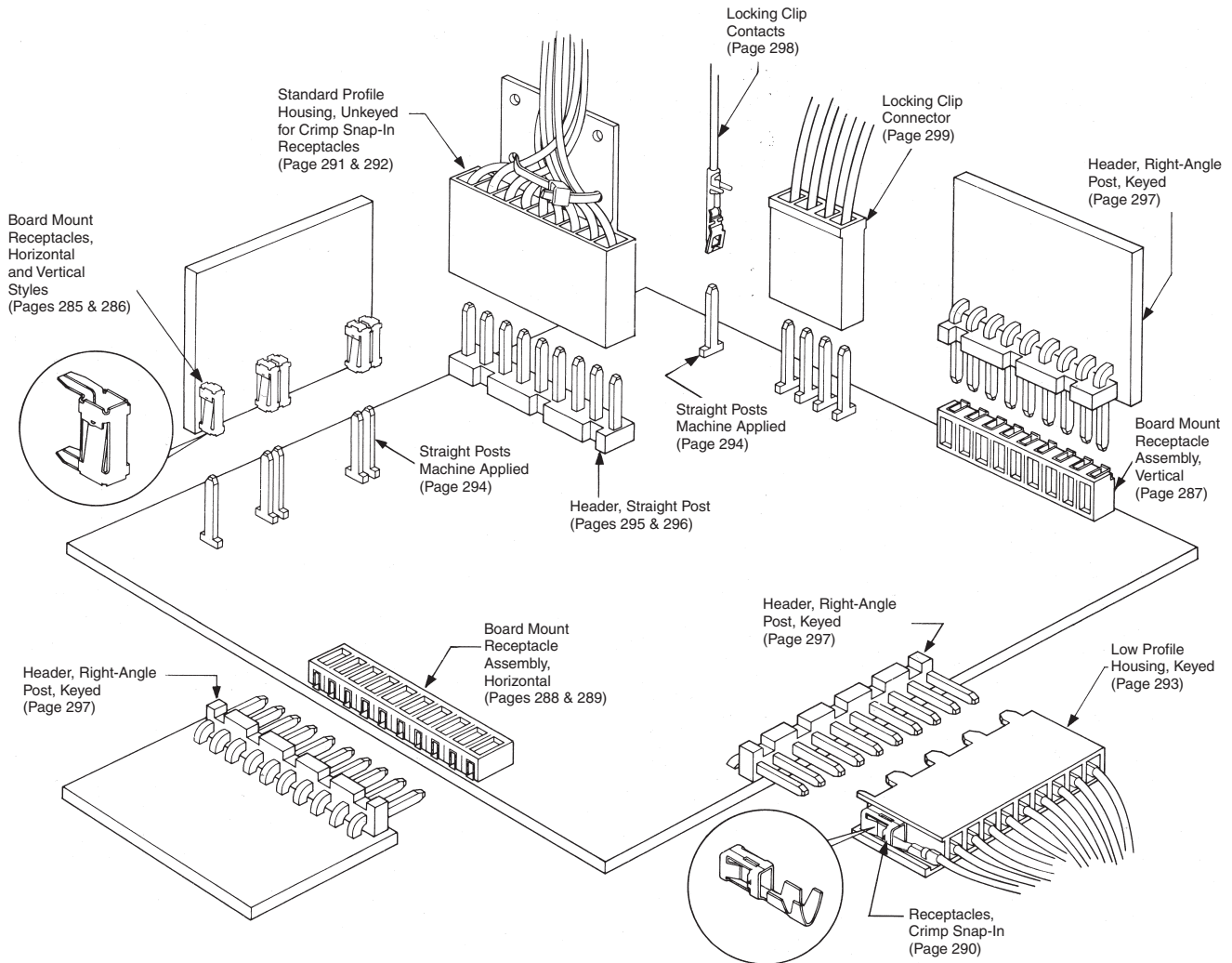
Crimp snap-in receptacles for 26-18 AWG [0.12 – 0.9mm²] wire provide excellent discrete wire terminations. Housings for these contacts provide for ease of handling terminations in high density applications.

AMPMODU mating posts are supplied typically as header assemblies. They are available in various sizes to meet the interconnection and packaging requirements of your system. However, in instances where packaging

configurations do not lend themselves to the economies of assemblies, Tyco Electronics can provide for the discrete location of individual posts and receptacles.

If your interconnections require Top Entry, Bottom Entry and/or Side Entry for perpendicular, parallel and stacked configurations, the .031 x .062 [0.79 x 1.57] interconnection system can fulfill your needs with the lowest applied cost through efficient interconnections and supporting application equipment.

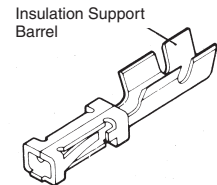
AMPMODU .031 x .062 [0.79 x 1.57] Interconnection System (Continued)



The AMPMODU receptacle cross-section is primarily rectangular, with rounded corners. Two integral cantilever beams contact the mating square or rectangular posts. Deflection of these spring members is limited by anti-overstress and excessive permanent deformation is prevented. This feature allows a wide range of tolerances for misalignment of mating contacts. The configuration of the receptacle completely encloses the spring members preventing damage during handling and assembly and makes the system compatible with automatic application techniques.

This design also permits the use of the receptacles without housings or encapsulation.

Note: Application of a contact lubricant is part of the manufacturing process of all AMPMODU tin-plated crimp products. However, it is not part of the manufacturing process of products that customers will solder, then clean. For these products, Tyco Electronics recommends that customers purchase a contact lubricant. (See application specification 114-25004 for further information.)



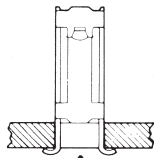
Wire Crimp Receptacle

Mod I 0.031 x 0.062 Interconnection System

7

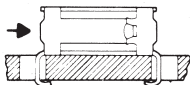
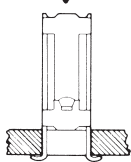
Mod I Receptacles, Board Mount, .031 x .062 [0.79 x 1.57] Centerline

Vertical and Horizontal Board Mount



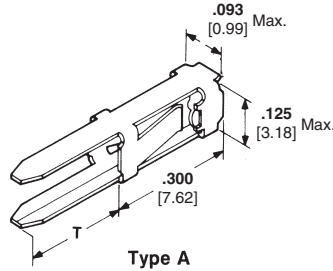
Bottom Post Entry Type A

Top Post Entry Type B

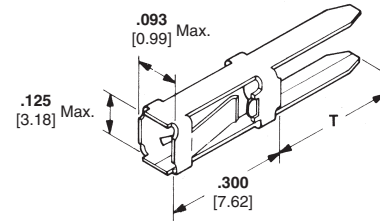


Horizontal Post Entry Type C

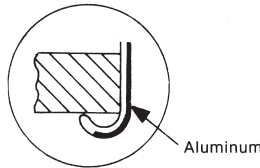
Receptacle Styles



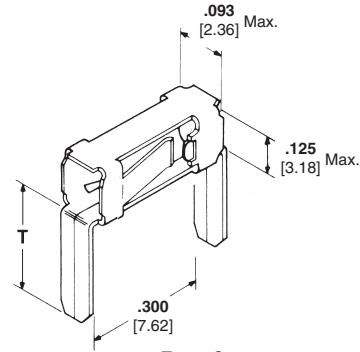
Type A



Type B



Typical Solder Resist Tab (Type A or B)

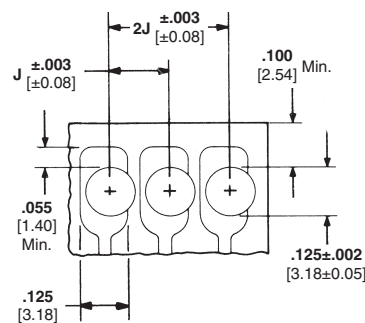


Type C

Related Product Data
Recommended Board Layout for Type C — page 288

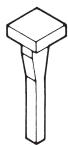
- Mates with** —
- Machine Applied Posts** — page 294
- Headers** — pages 295-297
- Application Tooling** — pages 300-304
- Performance Specifications** — page 305
- Technical Documents** — page 305

Recommended Board Layout for Receptacle Assemblies and Individual Receptacles (Type A and B)



Round Hole (Post Entry Type A or B)

Keying Plug



Part No. 86181-2
Use in Board Mount Receptacles

J-Receptacle centers may vary depending on requirements. For individual receptacles, minimum nominal centerline spacing between adjacent receptacles is .156 [3.96]; for receptacle assemblies, centerline spacing between adjacent receptacles is .156 [3.96]. The .003 [0.08] tolerances are not to accumulate over length of board. For solder mask, see Tyco Electronics Instruction Sheet 408-7411.

Note: Drawings depict normal use of the contact in a one or two-sided circuit board. When using plated thru-holes, refer to Tyco Electronics Engineering Report ER-001 and Tyco Electronics Instruction Sheet 408-7411. For solder mask, see Tyco Electronics Instruction Sheet 408-7411.

Note: All part numbers are RoHS compliant.

Mod I Receptacles, Board Mount, .031 x .062 [0.79 x 1.57] Centerline (Continued)

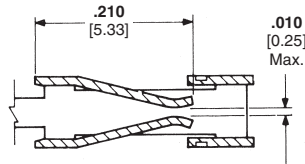
Material and Finish

Copper alloy, plated as follows:

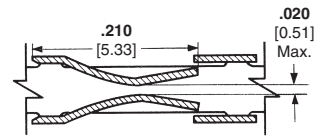
Plating A — Selectively plated .000030 [0.00076] gold on contact area, with gold flash over .000050 [0.00127] nickel on entire contact

Plating B — .000079 [0.00201] min. tin on entire contact

Plating C — (Solder Resist) — .000030 [0.00076] gold over .000050 [0.00127] nickel on contact area, .000500 [0.01270] aluminum on inside area of solder tines; remainder of contact unfinished



Standard Pressure Receptacle



High Pressure Receptacle

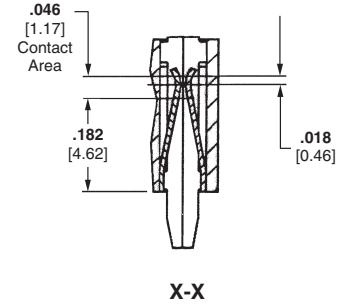
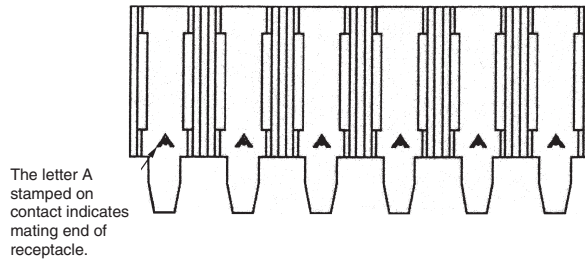
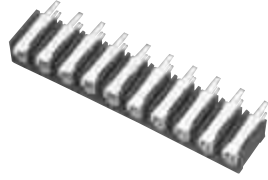
| Type | Board Thickness Range | Dimension T (Ref. Pg. 285) | Finish | Standard Pressure Part Nos. | | High Pressure Part Nos. | | Insertion Applicator No. for "U" Frame Machine |
|------|-----------------------|----------------------------|---------------------------|-----------------------------|-------------|-------------------------|-------------|--|
| | | | | Strip Form | Loose Piece | Strip Form | Loose Piece | |
| A | .070-.055 [1.78-1.40] | .112 [2.84] | Plating A | 86477-2 | 86480-2 | — | — | 466376-1 |
| | | | Plating B | 86477-3 | — | 87316-3 | — | 466376-1 |
| | | | Plating C (Solder Resist) | 87772-2 | — | — | — | 466376-1 |
| B | .070-.055 [1.78-1.40] | .112 [2.84] | Plating A | 87003-1 | 87105-1 | — | — | 466376-1 |
| | | | Plating B | 87003-2 | — | — | — | 466376-1 |
| | | | Plating C (Solder Resist) | 87774-2 | — | — | — | 466376-1 |
| C | .103-.055 [2.62-1.40] | .145 [3.68] | Plating A | 85487-4 | 85493-4 | 86432-8 | 86434-6 | 565967-3 |
| | | | Plating B | 85487-3 | — | 86432-1 | 86434-1 | |

Notes: 1. All strip form parts in packaged quantities of 5,000 each.
2. All loose piece parts in packaged quantities of 500 each.

Note: All part numbers are RoHS compliant.

Mod I Receptacle Assemblies, Vertical Board Mount, .031 x .062 [0.79 x 1.57] Centerline

Single Row .156 [3.96] Centerline



Material and Finish

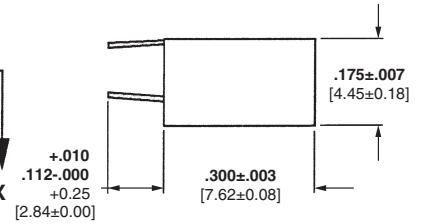
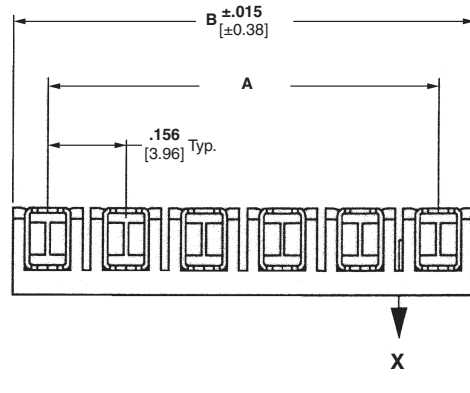
Housing — Black thermoplastic, 94V-0 rated

Contacts — Copper alloy, plated as follows:

Plating A — Selectively plated .000030 [0.00076] gold on contact area, with gold flash over .000050 [0.00127] nickel on entire contact

Plating B — .000079 [0.00201] min. tin on entire contact

Plating C — (Solder Resist) — .000030 [0.00076] gold over .000050 [0.00127] nickel on contact area, .000500 [0.01270] aluminum on inside area of solder tines; remainder of contact unfinished



Related Product Data

Recommended Board Layout — page 288

Mates with —

Machine Applied Posts — page 294

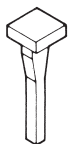
Headers — pages 295-297

Performance Specifications — page 305

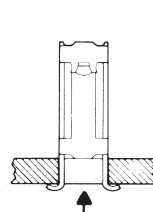
Technical Documents — page 305

| No. of Pos. | Dimensions | | Type A | | | | Type B | | |
|-------------|---------------|---------------|-------------------|-----------|---------------|-------------------|-----------|-----------|-----------|
| | A | B | Standard Pressure | | High Pressure | Standard Pressure | | | |
| | | | Plating A | Plating B | Plating C | Plating B | Plating A | Plating B | Plating C |
| 2 | .156 [3.96] | .312 [7.92] | 87984-2 | 87983-2 | 87989-2 | 87993-2 | 87986-2 | 87985-2 | 87990-2 |
| 3 | .312 [7.92] | .468 [11.89] | 87984-3 | 87983-3 | 87989-3 | 87993-3 | 87986-3 | 87985-3 | 87990-3 |
| 4 | .468 [11.89] | .624 [15.85] | 87984-4 | 87983-4 | 87989-4 | 87993-4 | 87986-4 | 87985-4 | 87990-4 |
| 5 | .624 [15.85] | .780 [19.81] | 87984-5 | 87983-5 | 87989-5 | 87993-5 | 87986-5 | 87985-5 | 87990-5 |
| 6 | .780 [19.81] | .936 [23.77] | 87984-6 | 87983-6 | 87989-6 | 87993-6 | 87986-6 | 87985-6 | 87990-6 |
| 7 | .936 [23.77] | 1.092 [27.74] | 87984-7 | 87983-7 | 87989-7 | 87993-7 | 87986-7 | 87985-7 | 87990-7 |
| 8 | 1.092 [27.74] | 1.248 [31.70] | 87984-8 | 87983-8 | 87989-8 | 87993-8 | 87986-8 | 87985-8 | 87990-8 |
| 9 | 1.248 [31.70] | 1.404 [35.66] | 87984-9 | 87983-9 | 87989-9 | 87993-9 | 87986-9 | 87985-9 | 87990-9 |
| 10 | 1.404 [35.66] | 1.560 [39.62] | 1-87984-0 | 1-87983-0 | 1-87989-0 | 1-87993-0 | 1-87986-0 | 1-87985-0 | 1-87990-0 |
| 11 | 1.560 [39.62] | 1.716 [43.59] | 1-87984-1 | 1-87983-1 | 1-87989-1 | 1-87993-1 | 1-87986-1 | 1-87985-1 | 1-87990-1 |
| 12 | 1.716 [43.59] | 1.872 [47.55] | 1-87984-2 | 1-87983-2 | 1-87989-2 | 1-87993-2 | 1-87986-2 | 1-87985-2 | 1-87990-2 |
| 13 | 1.872 [47.55] | 2.028 [51.51] | 1-87984-3 | 1-87983-3 | 1-87989-3 | 1-87993-3 | 1-87986-3 | 1-87985-3 | 1-87990-3 |
| 14 | 2.028 [51.51] | 2.184 [55.47] | 1-87984-4 | 1-87983-4 | 1-87989-4 | 1-87993-4 | 1-87986-4 | 1-87985-4 | 1-87990-4 |
| 15 | 2.184 [55.47] | 2.340 [59.44] | 1-87984-5 | 1-87983-5 | 1-87989-5 | 1-87993-5 | 1-87986-5 | 1-87985-5 | 1-87990-5 |
| 16 | 2.340 [59.44] | 2.496 [63.40] | 1-87984-6 | 1-87983-6 | 1-87989-6 | 1-87993-6 | 1-87986-6 | 1-87985-6 | 1-87990-6 |
| 17 | 2.496 [63.40] | 2.652 [67.36] | 1-87984-7 | 1-87983-7 | 1-87989-7 | 1-87993-7 | 1-87986-7 | 1-87985-7 | 1-87990-7 |
| 18 | 2.652 [67.36] | 2.808 [71.32] | 1-87984-8 | 1-87983-8 | 1-87989-8 | 1-87993-8 | 1-87986-8 | 1-87985-8 | 1-87990-8 |
| 19 | 2.808 [71.32] | 2.964 [75.29] | 1-87984-9 | 1-87983-9 | 1-87989-9 | 1-87993-9 | 1-87986-9 | 1-87985-9 | 1-87990-9 |
| 20 | 2.964 [75.29] | 3.120 [79.25] | 2-87984-0 | 2-87983-0 | 2-87989-0 | 2-87993-0 | 2-87986-0 | 2-87985-0 | 2-87990-0 |

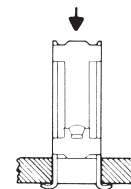
Keying Plug



Part No. 86181-2
(Use in Board Mount Receptacles)



Post Entry Type A



Post Entry Type B

Note: All part numbers are RoHS compliant.

**Mod I Receptacle Assemblies, Horizontal Board Mount,
.031 x .062 [0.79 x 1.57] Centerline**

Single Row .156 [3.96] Centers

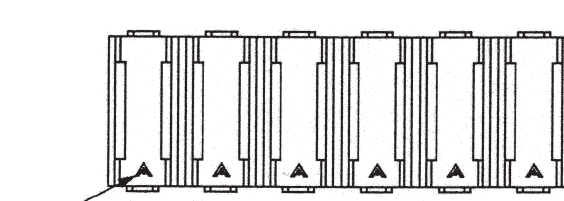
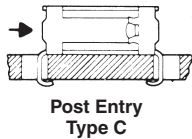
Material and Finish

Housing — Black thermoplastic, 94V-0 rated

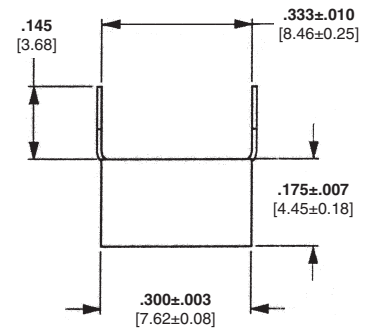
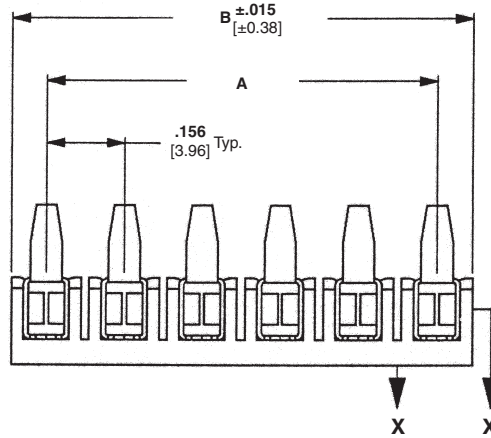
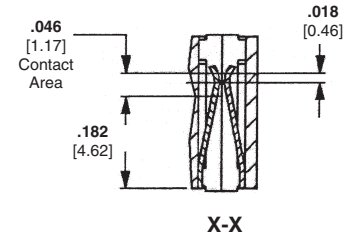
Contacts — Copper alloy, plated as follows:

Plating A — Selectively plated .000030 [0.00076] gold contact area, with gold flash over .000050 [0.00127] nickel on entire contact

Plating B — .000079 [0.00201] min. tin on entire contact



The letter A stamped on contact indicates mating end of receptacle.



Related Product Data

Mates with —

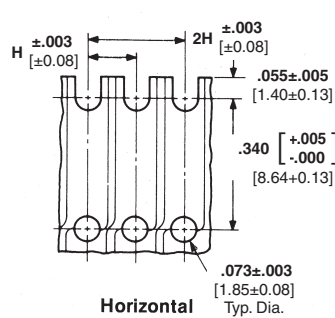
Machine Applied Posts — page 294

Headers — pages 295-297

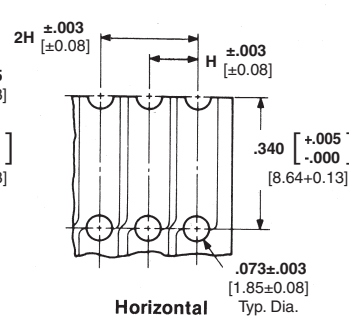
Performance Specifications — page 305

Technical Documents — page 305

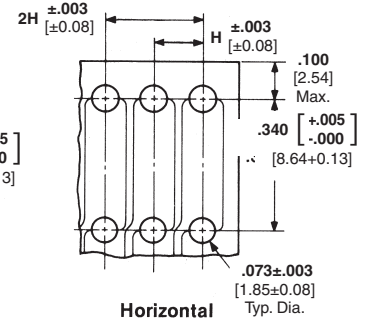
Recommended Board Layouts for Receptacle Assemblies and Individual Receptacles (Type C)



This configuration recommended for use with machine applied posts or headers with a .405 [10.29] minimum mating end post length.*

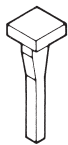


This configuration recommended for use with machine applied posts or headers with a .345 [18.76] minimum mating end post length.*



This configuration recommended for use with machine applied posts or headers with a .500 [12.70] minimum mating end post length.*

Keying Plug



Part No. 86181-2
(Use in Board Mount Receptacles)

The mating post length is depicted by the A dimension on page 294 (machine applied posts) and the C dimension on pages 295-297 (headers).

H-Receptacle centers may vary depending on requirements. For individual receptacles, minimum nominal centerline spacing between adjacent receptacles is .125 [3.18] for receptacle assemblies, centerline spacing between adjacent receptacles is .156 [3.96]. The .003 [0.08] tolerances are not to accumulate over length of board.

Note: All part numbers are RoHS compliant.

**Mod I Receptacle Assemblies, Horizontal Board Mount,
 .031 x .062 [0.79 x 1.57] Centerline** (Continued)

| No. of Pos. | Dimensions | | Standard Pressure | | High Pressure |
|-------------|---------------|---------------|-------------------|-----------|---------------|
| | A | B | Plating A | Plating B | Plating B |
| 2 | .156 [3.96] | .312 [7.92] | 87988-2 | 87987-2 | 87995-2 |
| 3 | .312 [7.92] | .468 [11.89] | 87988-3 | 87987-3 | 87995-3 |
| 4 | .468 [11.89] | .624 [15.85] | 87988-4 | 87987-4 | 87995-4 |
| 5 | .624 [15.85] | .780 [19.81] | 87988-5 | 87987-5 | 87995-5 |
| 6 | .780 [19.81] | .936 [23.77] | 87988-6 | 87987-6 | 87995-6 |
| 7 | .936 [23.77] | 1.092 [27.74] | 87988-7 | 87987-7 | 87995-7 |
| 8 | 1.092 [27.74] | 1.248 [31.70] | 87988-8 | 87987-8 | 87995-8 |
| 9 | 1.248 [31.70] | 1.404 [35.66] | 87988-9 | 87987-9 | 87995-9 |
| 10 | 1.404 [35.66] | 1.560 [39.62] | 1-87988-0 | 1-87987-0 | 1-87995-0 |
| 11 | 1.560 [39.62] | 1.716 [43.59] | 1-87988-1 | 1-87987-1 | 1-87995-1 |
| 12 | 1.716 [43.59] | 1.872 [47.55] | 1-87988-2 | 1-87987-2 | 1-87995-2 |
| 13 | 1.872 [47.54] | 2.028 [51.51] | 1-87988-3 | 1-87987-3 | 1-87995-3 |
| 14 | 2.028 [51.51] | 2.184 [55.47] | 1-87988-4 | 1-87987-4 | 1-87995-4 |
| 15 | 2.184 [55.47] | 2.340 [59.44] | 1-87988-5 | 1-87987-5 | 1-87995-5 |
| 16 | 2.340 [59.44] | 2.496 [63.40] | 1-87988-6 | 1-87987-6 | 1-87995-6 |
| 17 | 2.496 [63.40] | 2.652 [67.36] | 1-87988-7 | 1-87987-7 | 1-87995-7 |
| 18 | 2.652 [67.36] | 2.808 [71.32] | 1-87988-8 | 1-87987-8 | 1-87995-8 |
| 19 | 2.808 [71.32] | 2.964 [75.29] | 1-87988-9 | 1-87987-9 | 1-87995-9 |
| 20 | 2.964 [75.29] | 3.120 [79.25] | 2-87988-0 | 2-87987-0 | 2-87995-0 |

Note: All part numbers are RoHS compliant.

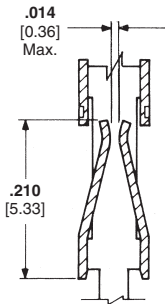
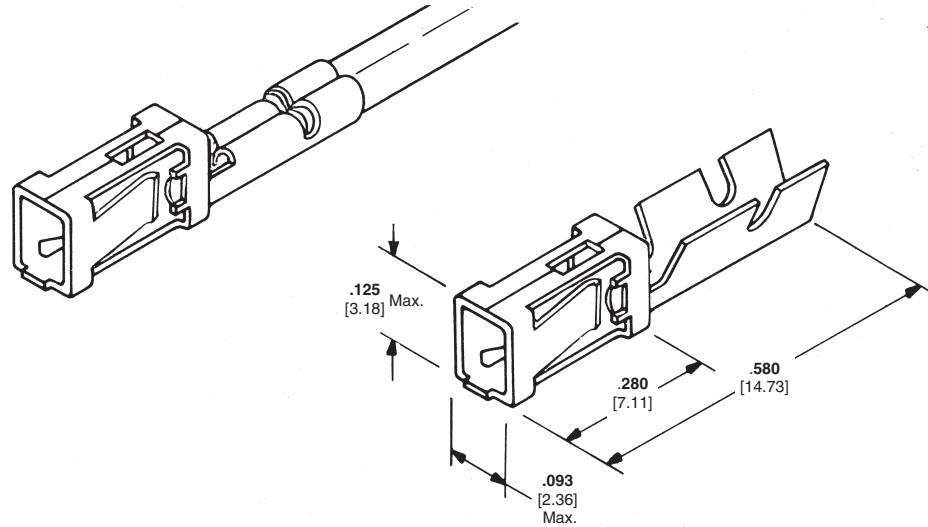
**Mod I Receptacles, Crimp Snap-In (Wire Applied),
.031 x .062 [0.79 x 1.57] Centerline**

Material and Finish

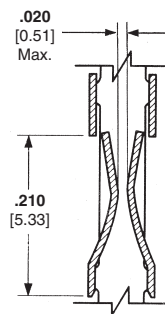
Copper alloy, plated as follows:
Plating A — Selectively plated .000030 [0.00076] gold on contact area, with gold flash over .000050 [0.00127] nickel on entire contact
Plating B — .000016 [0.00041] min. tin on entire contact

Related Product Data

- Housings used in** — pages 291-293
- Mate with Machine Applied Posts** — page 294
- Headers** — pages 295-297
- Application Tooling** — page 300-304
- Performance Specification** — page 305
- Technical Documents** — page 305



Standard Pressure Receptacle



High Pressure Receptacle



Extraction Tool Part No. 843473-1
Part Instruction Sheet 408-9451

| Wire Size Range AWG [mm ²] | Ins. Dia. Range | Finish | Standard Pressure | | | |
|---|-----------------------|-----------|---------------------|-----------|---------------------|-----------|
| | | | Strip Form | | Loose Piece | |
| | | | Packaged Quantities | Part Nos. | Packaged Quantities | Part Nos. |
| 22-18 [0.3-0.9] | .051-.090 [1.30-2.29] | Plating A | 5,000 | 102099-2 | 500 | 102103-2 |
| | | Plating B | 5,000 | 102099-5 | 500 | 102103-3 |

| Wire Size Range AWG [mm ²] | Applicator (Standard Pressure) | | | Premium CERTI-CRIMP Hand Tool Part Number |
|---|--------------------------------|------|--------------------------------|--|
| | Part Number | Type | Used With Machine | |
| 22-18 [0.3-0.9] | 466764-3 | HDM | Model "G" (AMP-O-LECTRIC) | 90274-2 |
| | 466764-2 | HDM | Model "K" (AMP-O-LECTRIC) | |
| | 466764-1 | HDM | CLS IV+ (AMPOMATOR) | |
| | 466937-1 | SCA | Stripper-Crimper (AMP-O-MATIC) | |

AMP-O-LECTRIC KII Machine. Applicators also available for AMPOMATOR Lead Making Machines and Stripper/Crimper Machines. Consult Tyco Electronics.

| Wire Size Range AWG [mm ²] | Ins. Dia. Range | Finish | High Pressure | | | |
|---|-----------------------|-----------|---------------------|-----------|---------------------|-----------|
| | | | Strip Form | | Loose Piece | |
| | | | Packaged Quantities | Part Nos. | Packaged Quantities | Part Nos. |
| 22-18 [0.3-0.9] | .051-.090 [1.30-2.29] | Plating A | 5,000 | 102100-2 | 500 | 102104-2 |
| | | Plating B | 5,000 | 102100-5 | 500 | 102104-3 |
| 26-22 [0.12-0.4] | 0.42-.073 [1.07-1.85] | Plating A | 5,000 | 102102-2 | 500 | 102106-2 |
| | | Plating B | 5,000 | 102102-5 | 500 | 102106-3 |

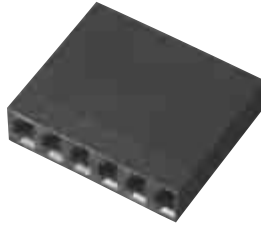
| Wire Size Range AWG [mm ²] | Applicator (High Pressure) | | | Premium CERTI-CRIMP Hand Tool Part Number |
|---|----------------------------|------|--------------------------------|--|
| | Part Number | Type | Used With Machine | |
| 22-18 [0.3-0.9] | 466764-3 | HDM | Model "G" (AMP-O-LECTRIC) | 90274-2 |
| | 466764-2 | HDM | Model "K" (AMP-O-LECTRIC) | |
| | 466764-1 | HDM | CLS IV+ (AMPOMATOR) | |
| | 466937-1 | SCA | Stripper-Crimper (AMP-O-MATIC) | |
| 26-22 [0.12-0.4] | 466763-2 | HDM | Model "K" (AMP-O-LECTRIC) | 90328-1 |
| | 466763-1 | HDM | CLS IV+ (AMPOMATOR) | |

AMP-O-LECTRIC KII Machine. Applicators also available for AMPOMATOR Lead Making Machines and Stripper/Crimper Machines. Consult Tyco Electronics.

Note: All part numbers are RoHS compliant.

**Mod I Receptacle Housings, Standard Profile, Unkeyed,
.031 x .062 [0.79 x 1.57] Centerline**

**Single Row, .156 [3.96]
Centers, Without Strain
Relief**



Material

Black thermoplastic, flame retardant,
94V-0 rated

Related Product Data

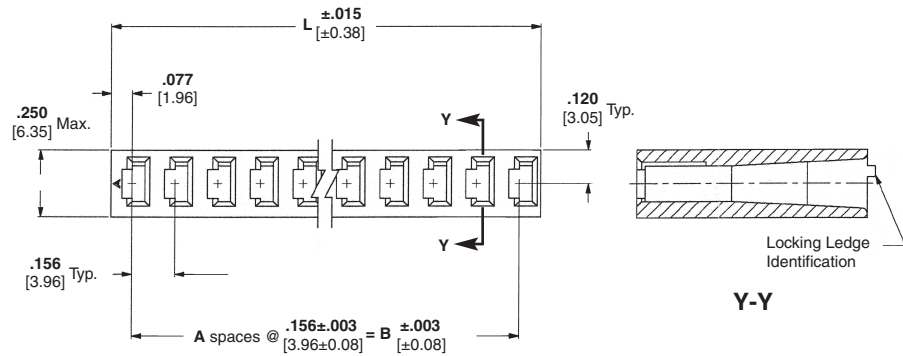
Contacts used with — page 290

Mate with —

Machine Applied Posts — page 294

Headers — pages 295-297

Performance Specifications —
page 305



Technical Documents —
page 305

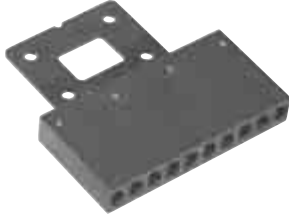
| No. of Pos. | Dimensions | | | Housing Part Nos. | |
|-------------|------------|---------------|---------------|----------------------|------------------------|
| | A | B | L | Stamped ¹ | Unstamped ² |
| 2 | 1 | .156 [3.96] | .312 [7.92] | — | 2-87025-5 |
| 3 | 2 | .312 [7.92] | .468 [11.89] | — | 2-87025-1 |
| 4 | 3 | .468 [11.89] | .624 [15.85] | — | 1-87025-3 |
| 5 | 4 | .624 [15.85] | .780 [19.81] | — | 2-87025-3 |
| 6 | 5 | .780 [19.81] | .936 [23.77] | 87025-1 | 87025-2 |
| 7 | 6 | .936 [23.77] | 1.092 [27.74] | — | 3-87025-4 |
| 8 | 7 | 1.092 [27.74] | 1.248 [31.70] | — | 1-87025-6 |
| 9 | 8 | 1.248 [31.70] | 1.404 [35.66] | 87025-9 | 1-87025-0 |
| 10 | 9 | 1.404 [35.66] | 1.560 [39.62] | 1-87025-7 | 1-87025-8 |
| 11 | 10 | 1.560 [39.62] | 1.716 [43.59] | — | 3-87025-6 |
| 12 | 11 | 1.716 [43.59] | 1.872 [47.55] | 1-87025-1 | 1-87025-2 |
| 13 | 12 | 1.872 [47.55] | 2.028 [51.51] | — | 3-87025-0 |
| 14 | 13 | 2.028 [51.51] | 2.184 [55.47] | — | 3-87025-8 |
| 15 | 14 | 2.184 [55.47] | 2.340 [59.44] | — | 3-87025-2 |
| 16 | 15 | 2.340 [59.44] | 2.496 [63.40] | — | 2-87025-0 |
| 17 | 16 | 2.496 [63.40] | 2.652 [67.36] | — | 4-87025-0 |
| 18 | 17 | 2.652 [67.36] | 2.808 [71.32] | — | 87025-4 |
| 19 | 18 | 2.808 [71.32] | 2.964 [75.29] | — | 87025-6 |
| 20 | 19 | 2.964 [75.29] | 3.120 [79.25] | — | 87025-8 |
| 25 | 24 | 3.744 [95.10] | 3.900 [99.06] | — | 5-87025-0 |

Notes: ¹Markings on housing.
²No markings on housing.

Note: All part numbers are RoHS compliant.

**Mod I Receptacle Housings, Standard Profile, Unkeyed,
.031 x .062 [0.79 x 1.57] Centerline** (Continued)

**Single Row, .156 [3.96]
Centers, With Strain Relief**



Material

Black thermoplastic, flame retardant,
94V-0 rated

Related Product Data

Contacts used with — page 290

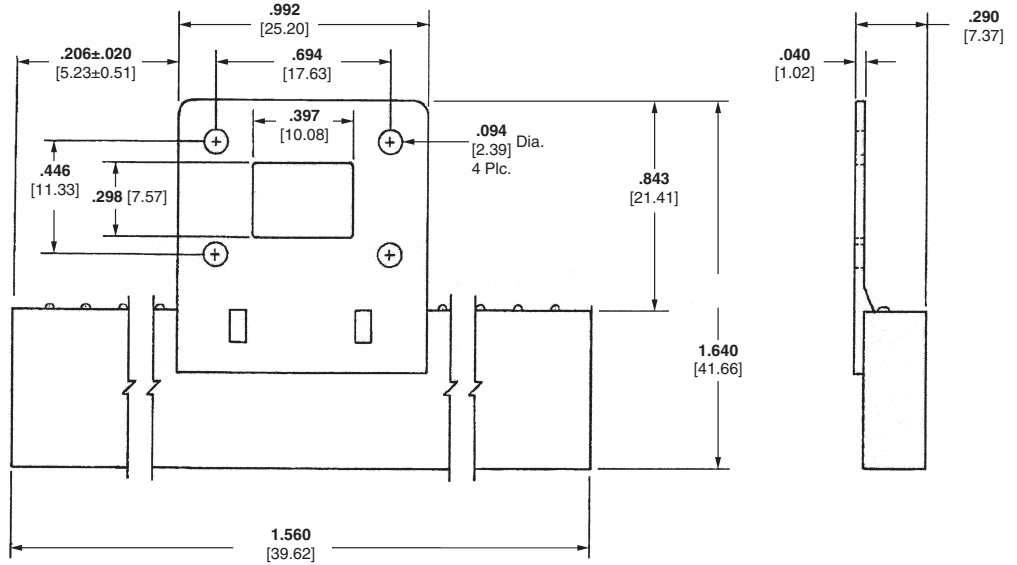
Mate with —

Machine Applied Posts — page 294

Headers — pages 295-297

Performance Specifications —
page 305

Technical Documents —
page 305

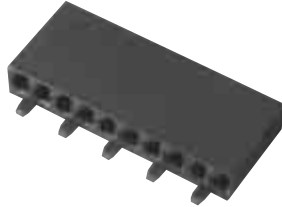


10 Position Receptacle Housing, Part No. 1-102090-0

Note: All part numbers are RoHS compliant.

Mod I Receptacle Housings, Low Profile, Keyed, .031 x .062 [0.79 x 1.57] Centerline

Single Row, .156 [3.96] Centers



Material

Black thermoplastic, flame retardant, 94V-0 rated

Related Product Data

Contacts used with — page 290

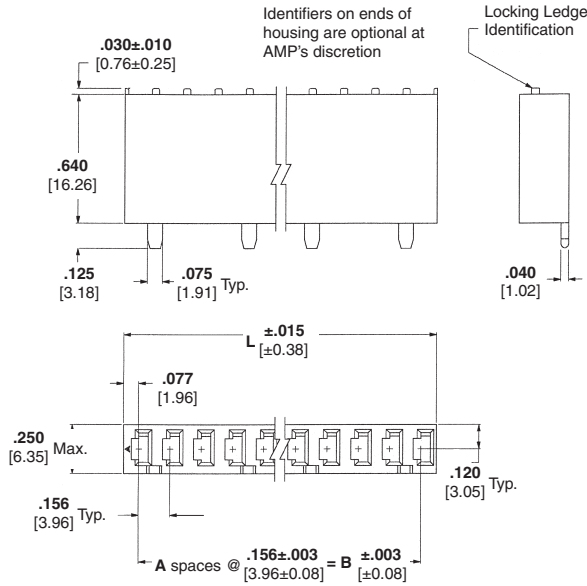
Mate with —

Headers — pages 295-297

Performance Specifications — page 305

Technical Documents

— page 305

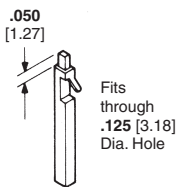


| No. of Pos. | Dimensions | | | No. of Keys | Housing Part Nos. (Unstamped) ¹ | Key Locations |
|-------------|------------|---------------|---------------|-------------|--|-----------------------|
| | A | B | L | | | |
| 2 | 1 | .156 [3.96] | .312 [7.92] | 1 | 87159-3 | A |
| 3 | 2 | .312 [7.92] | .468 [11.89] | 1 | 87159-4 | A |
| 4 | 3 | .468 [11.89] | .624 [15.85] | 2 | 87159-5 | A,C |
| 5 | 4 | .624 [15.85] | .780 [19.81] | 2 | 87159-1 | A,D |
| 6 | 5 | .780 [19.81] | .936 [23.77] | 3 | 87159-6 | A,C,E |
| 7 | 6 | .936 [23.77] | 1.092 [27.74] | 3 | 87159-7 | A,C,E |
| 8 | 7 | 1.092 [27.74] | 1.248 [31.70] | 4 | 87159-8 | A,C,E,G |
| 9 | 8 | 1.248 [31.70] | 1.404 [35.66] | 3 | 87159-9 | A,D,G |
| 10 | 9 | 1.404 [35.66] | 1.560 [39.62] | 5 | 1-87159-0 | A,C,E,G,J |
| 11 | 10 | 1.560 [39.62] | 1.716 [43.59] | 4 | 1-87159-1 | A,D,G,K |
| 12 | 11 | 1.716 [43.59] | 1.872 [47.55] | 6 | 1-87159-2 | A,C,E,G,J,L |
| 13 | 12 | 1.872 [47.55] | 2.028 [51.51] | 4 | 87159-2 | A,D,J,M |
| 14 | 13 | 2.028 [51.51] | 2.184 [55.47] | 7 | 1-87159-3 | A,C,E,G,J,L,N |
| 15 | 14 | 2.184 [55.47] | 2.340 [59.44] | 5 | 1-87159-4 | A,D,G,K,N |
| 16 | 15 | 2.340 [59.44] | 2.496 [63.40] | 8 | 1-87159-5 | A,C,E,G,J,L,N,Q |
| 17 | 16 | 2.496 [63.40] | 2.652 [67.36] | 6 | 1-87159-6 | A,D,G,K,N,R |
| 18 | 17 | 2.652 [67.36] | 2.808 [71.32] | 6 | 1-87159-7 | A,D,F,J,P,S |
| 19 | 18 | 2.808 [71.32] | 2.964 [75.29] | 8 | 1-87159-8 | B,D,F,J,L,N,Q,S |
| 20 | 19 | 2.964 [75.29] | 3.120 [79.25] | 10 | 1-87159-9 | A,C,E,G,J,L,N,Q,S,U |
| 25 | 24 | 3.744 [95.10] | 3.900 [99.06] | 11 | 2-87159-4 | A,C,E,H,K,M,Q,S,U,W,Y |

¹No marking on housing.

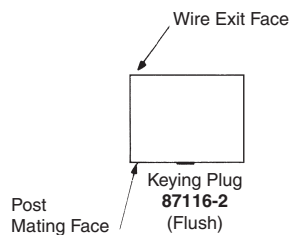
Keying Plug

Material — Natural Color Nylon

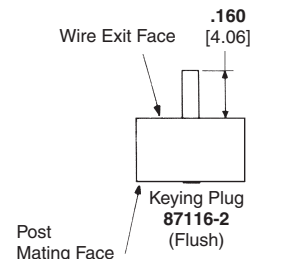


Part No. 87116-2

Keying Plug References



For Standard Housings

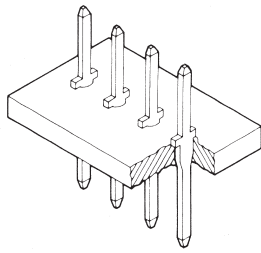


For Low Profile Housings

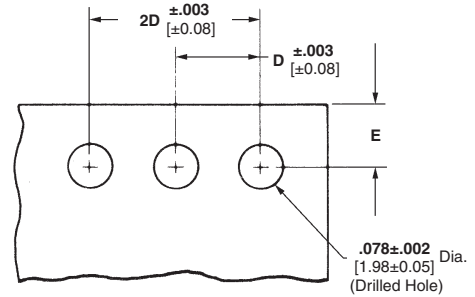
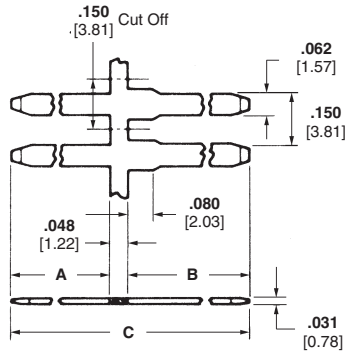
Note: All part numbers are RoHS compliant.

Mod I Posts, Machine Applied, .031 x .062 [0.79 x 1.57] Centerline

Straight Posts



Typical Assembly



Recommended Mounting Holes

Material and Finish

Brass, plated .000030 [0.00076] gold over .000050 [0.00127] nickel on entire post

Related Product Data

Mate with —

Board Mount Receptacles — pages 285, 286

Board Mount Receptacle Assemblies — pages 287-289

Crimp Snap-In Receptacles and Housings — pages 290-292

Locking Clip Contacts & Housings — pages 298, 299 (see page 298 for recommended post length).

Application Tooling — pages 300-304

Performance Specifications — page 305

Technical Documents — page 305

D—Post centers may vary depending on requirements. Minimum nominal centerline spacing between adjacent contacts is .125 [3.18]; .003 [0.08] tolerances not to accumulate over length of board.
E—Post center location from edge of board may vary to satisfy application.

| A | Dimensions | | Finish | Part Nos. | |
|--------------|-------------|--------------|-----------|-------------------------|--------------------------|
| | B | C | | Strip Form ¹ | Loose Piece ² |
| .360 [9.14] | .187 [4.75] | .595 [15.11] | Plating A | 86147-7 | 86182-7 |
| | | | Plating B | 5086147-2 | 5086182-2 |
| .380 [9.65] | .320 [8.13] | .748 [19.00] | Plating A | 1-86147-5 | 1-86182-5 |
| | | | Plating B | 5086147-9 | 5086182-9 |
| .400 [10.16] | .125 [3.18] | .573 [14.55] | Plating A | 4-86147-2 | 2-86182-9 |
| | | | Plating B | 3-5086147-7 | 2-5086182-5 |
| .480 [12.19] | .187 [4.75] | .715 [18.16] | Plating A | 1-86147-8 | 1-86182-8 |
| | | | Plating B | 2-5086147-2 | 2-5086182-2 |
| .565 [14.35] | .187 [4.75] | .800 [20.32] | Plating A | 86147-8 | 86182-8 |
| | | | Plating B | 5086147-1 | 5086182-1 |
| .800 [20.32] | .150 [3.81] | .998 [25.35] | Plating A | 1-86147-2 | 1-86182-2 |
| | | | Plating B | 1-5086147-0 | 1-5086182-0 |

¹ Packaging quantity of 20,000 per reel.

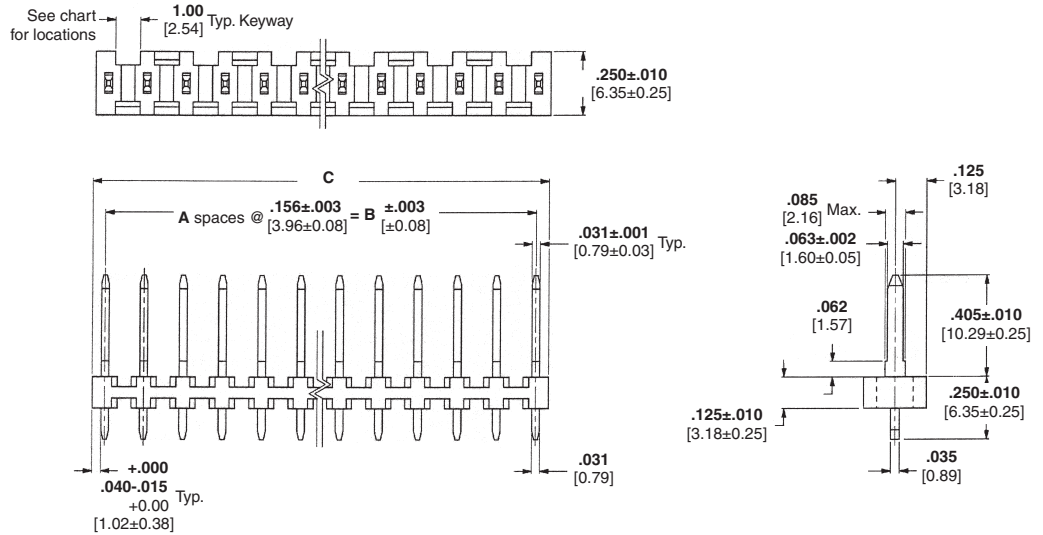
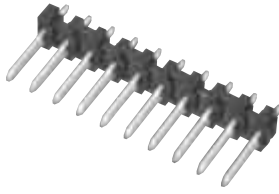
² Packaging quantity of 1,000 per bag.

Note: Strip form posts applied with Insertion Machine No. 3-457382-1, includes power unit and applicator.

Note: All part numbers are RoHS compliant.

Mod I Headers, Straight Post, Keyed, .031 x .062 [0.79 x 1.57] Centerline

Single Row, .156 [3.96] Centers



Material and Finish

Housing — Black thermoplastic, 94V-0 rated

Posts — Brass, plated as follows:

Plating A — Selectively plated .000030 [0.00076] gold on contact area, with gold flash over .000050 [0.00127] min. nickel on entire post

Plating B — .000100-.000200 [0.00254-0.00508] tin over .000030 [0.00076] nickel on entire post

Related Product Data

Mate with —
Board Mount Receptacles — pages 285, 286

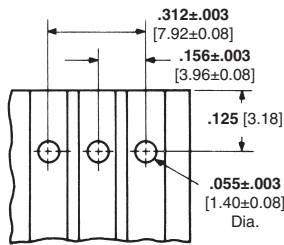
Board Mount Receptacle Assemblies — pages 287-289

Crimp Snap-In Receptacles and Housings — pages 290-292

Locking Clip Contacts & Housings — pages 298 & 299 (see page 298 for recommended post length).

Performance Specifications — page 305

Technical Documents — page 305



Recommended Board Layout



Keyway Locations (Ref only)

| No. of Pos. | A | Dimensions | | No. of Keying Slots | Post Height D=.405 [10.29] | | Post Height D=.587 [14.91] | | Keyway Locations |
|-------------|----|---------------|---------------|---------------------|----------------------------|-----------|----------------------------|-----------|-------------------------|
| | | B | C | | Plating A | Plating B | Plating A | Plating B | |
| 2 | 1 | .156 [3.96] | .267 [6.78] | 1 | 85829-2 | 5-87160-4 | 87247-2 | 5-87262-2 | A |
| 3 | 2 | .312 [7.92] | .423 [10.74] | 1 | 85829-3 | 5-87160-5 | 87247-3 | 5-87262-3 | A |
| 4 | 3 | .468 [11.89] | .579 [14.71] | 2 | 85829-4 | 5-87160-6 | 87247-4 | 5-87262-4 | A,C |
| 5 | 4 | .624 [15.85] | .735 [18.67] | 2 | 85829-5 | 5-87160-1 | 87247-5 | 5-87262-5 | A,D |
| 6 | 5 | .780 [19.81] | .891 [22.63] | 3 | 85829-6 | 5-87160-7 | 87247-6 | 5-87262-6 | A,C,E |
| 7 | 6 | .936 [23.77] | 1.047 [26.59] | 3 | 85829-7 | 5-87160-8 | 87247-7 | 5-87262-7 | A,C,E |
| 8 | 7 | 1.092 [27.74] | 1.203 [30.56] | 4 | 85829-8 | 5-87160-9 | 87247-8 | 5-87262-8 | A,C,E,G |
| 9 | 8 | 1.248 [31.70] | 1.359 [34.52] | 3 | 85829-9 | 6-87160-0 | 87247-9 | 5-87262-9 | A,D,G |
| 10 | 9 | 1.404 [35.66] | 1.515 [38.48] | 5 | 1-85829-0 | 6-87160-1 | 1-87247-0 | 6-87262-0 | A,C,E,G,J |
| 11 | 10 | 1.560 [39.62] | 1.671 [42.44] | 4 | 1-85829-1 | 6-87160-2 | 1-87247-1 | 6-87262-1 | A,D,G,K |
| 12 | 11 | 1.716 [43.59] | 1.827 [46.41] | 6 | 1-85829-2 | 6-87160-3 | 1-87247-2 | 6-87262-2 | A,C,E,G,J,L |
| 13 | 12 | 1.872 [47.55] | 1.983 [50.37] | 4 | 1-85829-3 | 5-87160-2 | 1-87247-3 | 6-87262-3 | A,D,J,M |
| 14 | 13 | 2.028 [51.51] | 2.139 [54.33] | 7 | 1-85829-4 | 6-87160-4 | 1-87247-4 | 6-87262-4 | A,C,E,G,J,L,N |
| 15 | 14 | 2.184 [55.47] | 2.295 [58.29] | 5 | 1-85829-5 | 6-87160-5 | 1-87247-5 | 6-87262-5 | A,D,G,K,N |
| 16 | 15 | 2.340 [59.44] | 2.451 [62.26] | 8 | 1-85829-6 | 6-87160-6 | 1-87247-6 | 6-87262-6 | A,C,E,G,J,L,N,Q |
| 17 | 16 | 2.496 [63.40] | 2.607 [66.22] | 6 | 1-85829-7 | 6-87160-7 | 1-87247-7 | 6-87262-7 | A,D,G,K,N,R |
| 18 | 17 | 2.652 [67.36] | 2.763 [70.18] | 7 | 1-85829-8 | 6-87160-8 | 1-87247-8 | 6-87262-8 | A,D,F,J,M,PS |
| 19 | 18 | 2.808 [71.32] | 2.919 [74.14] | 8 | 1-85829-9 | 6-87160-9 | 1-87247-9 | 6-87262-9 | B,D,F,J,L,N,Q,S |
| 20 | 19 | 2.964 [75.29] | 3.075 [78.11] | 10 | 2-85829-0 | 7-87160-0 | 2-87247-0 | 7-87262-0 | A,C,E,G,J,L,N,Q,S,U |
| 21 | 20 | 3.120 [79.25] | 3.231 [82.07] | 7 | 2-85829-1 | 7-87160-1 | 2-87247-1 | 7-87262-1 | A,D,G,K,N,R,U |
| 22 | 21 | 3.276 [83.21] | 3.387 [86.03] | 11 | 2-85829-2 | 7-87160-2 | 2-87247-2 | 7-87262-2 | A,C,E,G,J,L,N,Q,S,U,W |
| 23 | 22 | 3.432 [87.17] | 3.543 [89.99] | 8 | 2-85829-3 | 7-87160-3 | 2-87247-3 | 7-87262-3 | A,D,G,K,N,R,U,X |
| 24 | 23 | 3.588 [91.14] | 3.699 [93.95] | 12 | 2-85829-4 | 7-87160-4 | 2-87247-4 | 7-87262-4 | A,C,E,G,J,L,N,Q,S,U,W,Y |
| 25 | 24 | 3.744 [95.10] | 3.855 [97.92] | 11 | 2-85829-5 | 7-87160-5 | 2-87247-5 | 7-87262-5 | A,C,E,H,K,M,Q,S,U,W,Y |

Note: All part numbers are RoHS compliant.

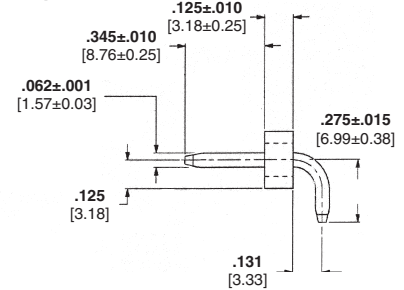
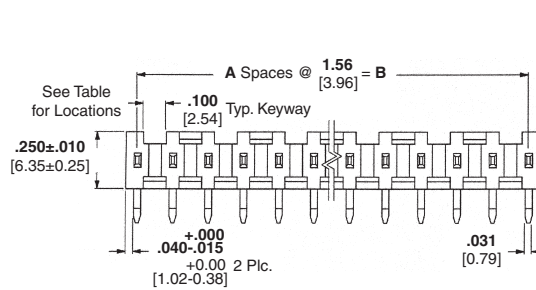
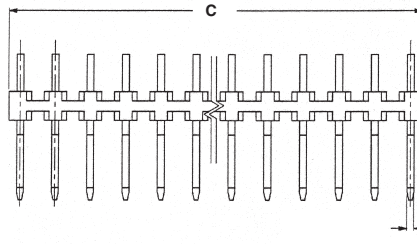
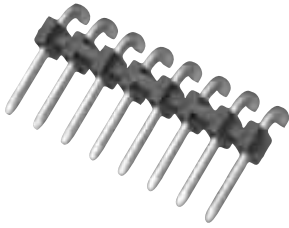
Mod I Headers, Straight Post, Keyed, .031 x .062 [0.79 x 1.57] Centerline (Continued)

| No. of Pos. | Dimensions | | | No. of Keying Slots | Post Height D=.750 [19.05] | | Post Height D=1.187 [30.15] | | Post Height D=1.310 [33.27] | | Keyway Locations |
|-------------|------------|---------------|---------------|---------------------|----------------------------|-----------|-----------------------------|-----------|-----------------------------|-----------|-------------------------|
| | A | B | C | | Plating A | Plating B | Plating A | Plating B | Plating A | Plating B | |
| | 2 | 1 | .156 [3.96] | | .267 [6.78] | 1 | 85923-2 | 5-85875-7 | 87283-2 | — | |
| 3 | 2 | .312 [7.92] | .423 [10.74] | 1 | 85923-3 | 5-85875-8 | 87283-3 | 5-86207-2 | 85839-3 | 5-85840-3 | A |
| 4 | 3 | .468 [11.89] | .579 [14.71] | 2 | 85923-4 | 5-85875-1 | 87283-4 | 5-86207-9 | 85839-4 | 5-85840-4 | A,C |
| 5 | 4 | .624 [15.85] | .735 [18.67] | 2 | 85923-5 | 5-85875-2 | 87283-5 | 5-86207-3 | 85839-5 | 5-85840-5 | A,D |
| 6 | 5 | .780 [19.81] | .891 [22.63] | 3 | 85923-6 | 5-85875-9 | 87283-6 | — | 85839-6 | 5-85840-6 | A,C,E |
| 7 | 6 | .936 [23.77] | 1.047 [26.59] | 3 | 85923-7 | 6-85875-0 | 87283-7 | — | 85839-7 | 5-85840-7 | A,C,E |
| 8 | 7 | 1.092 [27.74] | 1.203 [30.56] | 4 | 85923-8 | 6-85875-1 | 87283-8 | — | 85839-8 | 5-85840-8 | A,C,E,G |
| 9 | 8 | 1.248 [31.70] | 1.359 [34.52] | 3 | 85923-9 | 5-85875-3 | 87283-9 | — | 85839-9 | 5-85840-9 | A,D,G |
| 10 | 9 | 1.404 [35.66] | 1.515 [38.48] | 5 | 1-85923-0 | 6-85875-2 | 1-87283-0 | — | 1-85839-0 | 6-85840-0 | A,C,E,G,J |
| 11 | 10 | 1.560 [39.62] | 1.671 [42.44] | 4 | 1-85923-1 | 6-85875-3 | 1-87283-1 | — | 1-85839-1 | 6-85840-1 | A,D,G,K |
| 12 | 11 | 1.716 [43.59] | 1.827 [46.41] | 6 | 1-85923-2 | 5-85875-4 | 1-87283-2 | — | 1-85839-2 | 6-85840-2 | A,C,E,G,J,L |
| 13 | 12 | 1.872 [47.55] | 1.983 [50.37] | 4 | 1-85923-3 | 6-85875-4 | 1-87283-3 | — | 1-85839-3 | 6-85840-3 | A,D,J,M |
| 14 | 13 | 2.028 [51.51] | 2.139 [54.33] | 7 | 1-85923-4 | 6-85875-5 | 1-87283-4 | — | 1-85839-4 | 6-85840-4 | A,C,E,G,J,L,N |
| 15 | 14 | 2.184 [55.47] | 2.295 [58.29] | 5 | 1-85923-5 | 6-85875-6 | 1-87283-5 | — | 1-85839-5 | 6-85840-5 | A,D,G,K,N |
| 16 | 15 | 2.340 [59.44] | 2.451 [62.26] | 8 | 1-85923-6 | 6-85875-7 | 1-87283-6 | — | 1-85839-6 | 6-85840-6 | A,C,E,G,J,L,N,Q |
| 17 | 16 | 2.496 [63.40] | 2.607 [66.22] | 6 | 1-85923-7 | 6-85875-8 | 1-87283-7 | — | 1-85839-7 | 6-85840-7 | A,D,G,K,N,R |
| 18 | 17 | 2.652 [67.36] | 2.763 [70.18] | 7 | 1-85923-8 | 6-85875-9 | 1-87283-8 | — | 1-85839-8 | 6-85840-8 | A,D,F,J,M,P,S |
| 19 | 18 | 2.808 [71.32] | 2.919 [74.14] | 8 | 1-85923-9 | 7-85875-0 | 1-87283-9 | — | 1-85839-9 | 6-85840-9 | B,D,F,J,L,N,Q,S |
| 20 | 19 | 2.964 [75.29] | 3.075 [78.11] | 10 | 2-85923-0 | 7-85875-1 | 2-87283-0 | — | 2-85839-0 | 7-85840-0 | A,C,E,G,J,L,N,Q,S,U |
| 21 | 20 | 3.120 [79.25] | 3.231 [82.07] | 7 | 2-85923-1 | 7-85875-2 | 2-87283-1 | — | 2-85839-1 | 7-85840-1 | A,D,G,K,N,R,U |
| 22 | 21 | 3.276 [83.21] | 3.387 [86.03] | 11 | 2-85923-2 | 7-85875-3 | 2-87283-2 | — | 2-85839-2 | 7-85840-2 | A,C,E,G,J,L,N,Q,S,U,W |
| 23 | 22 | 3.432 [87.17] | 3.543 [89.99] | 8 | 2-85923-3 | 5-85875-5 | 2-87283-3 | — | 2-85839-3 | 7-85840-3 | A,D,G,K,N,R,U,X |
| 24 | 23 | 3.588 [91.14] | 3.699 [93.95] | 12 | 2-85923-4 | 7-85875-4 | 2-87283-4 | — | 2-85839-4 | 7-85840-4 | A,C,E,G,J,L,N,Q,S,U,W,Y |
| 25 | 24 | 3.744 [95.10] | 3.855 [97.92] | 11 | 2-85923-5 | 7-85875-5 | 2-87283-5 | — | 2-85839-5 | 7-85840-5 | A,C,E,H,K,M,Q,S,U,W,Y |

Note: All part numbers are RoHS compliant.

Mod I Headers, Right-Angle Post, Keyed, .031 x .062 [0.79 x 1.57] Centerline

Single Row, .156 [3.96] Centers



Keyway Locations (Ref Only)

Material and Finish

Housing — Black thermoplastic, 94V-0 rated

Posts — Brass, plated as follows:

Plating A — Selectively plated .000030 [0.00076] gold on contact area, with gold flash over .000050 [0.00127] nickel on entire post

Plating B — .000015 [0.00038] gold over .000050 [0.00127] nickel on entire post

Plating C — .00100-.000200 [0.00254-0.00508] tin over .000050 [0.00127] nickel on entire post

Related Product Data

Mate with — Board Mount Receptacles — pages 285, 286

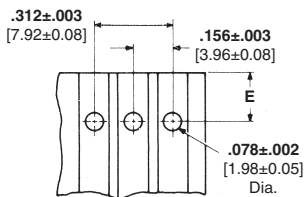
Board Mount Receptacle Assemblies — pages 287-289

Crimp Snap-In Receptacles and Housings — pages 290-292

Locking Clip Contacts and Housings — pages 298 & 299 (see page 298 for recommended post length).

Performance Specifications — page 305

Technical Documents — page 305



Recommended Board Layout

E Dimension

.345 [8.76] Post Height — .250 [6.35] for mounting header flush with board edge; .595 [15.11] for supporting mating connector on board.

.500 [12.70] Post Height — .250 [6.35] for mounting header flush with board edge; .750 [19.05] for supporting mating connector on board.

| No. of Pos. | | Dimensions | | | No. of Keying Slots | Post Height D=.345 [8.76] | | Post Height D=.500 [12.70] | | Keyway Locations |
|-------------|----|---------------|---------------|----|---------------------|---------------------------|-----------|----------------------------|-------------------------|------------------|
| | | A | B | C | | Plating A | Plating C | Plating B | Plating C | |
| 2 | 1 | .156 [3.96] | .267 [6.78] | 1 | 87654-2 | 5-87655-2 | 87258-2 | 5-87194-1 | A | |
| 3 | 2 | .312 [7.92] | .423 [10.74] | 1 | 87654-3 | 5-87655-3 | 87258-3 | 5-87194-2 | A | |
| 4 | 3 | .468 [11.89] | .579 [14.71] | 2 | 87654-4 | 5-87655-4 | 87258-4 | 5-87194-3 | A,C | |
| 5 | 4 | .624 [15.85] | .735 [18.67] | 2 | 87654-5 | 5-87655-5 | 87258-5 | 5-87194-4 | A,D | |
| 6 | 5 | .780 [19.81] | .891 [22.63] | 3 | 87654-6 | 5-87655-6 | 87258-6 | 5-87194-5 | A,C,E | |
| 7 | 6 | .936 [23.77] | 1.047 [26.59] | 3 | 87654-7 | 5-87655-7 | 87258-7 | 5-87194-6 | A,C,E | |
| 8 | 7 | 1.092 [27.74] | 1.203 [30.56] | 4 | 87654-8 | 5-87655-8 | 87258-8 | 5-87194-7 | A,C,E,G | |
| 9 | 8 | 1.248 [31.70] | 1.359 [34.52] | 3 | 87654-9 | 5-87655-9 | 87258-9 | 5-87194-8 | A,D,G | |
| 10 | 9 | 1.404 [35.66] | 1.515 [38.48] | 5 | 1-87654-0 | 6-87655-0 | 1-87258-0 | 5-87194-9 | A,C,E,G,J | |
| 11 | 10 | 1.560 [39.62] | 1.671 [42.44] | 4 | 1-87654-1 | 6-87655-1 | 1-87258-1 | 6-87194-0 | A,D,G,K | |
| 12 | 11 | 1.716 [43.59] | 1.827 [46.41] | 6 | 1-87654-2 | 6-87655-2 | 1-87258-2 | 6-87194-1 | A,C,E,G,J,L | |
| 13 | 12 | 1.872 [47.55] | 1.983 [50.37] | 4 | 1-87654-3 | 6-87655-3 | 1-87258-3 | 6-87194-2 | A,D,J,M | |
| 14 | 13 | 2.028 [51.51] | 2.139 [54.33] | 7 | 1-87654-4 | 6-87655-4 | 1-87258-4 | 6-87194-3 | A,C,E,G,J,L,N | |
| 15 | 14 | 2.184 [55.47] | 2.295 [58.29] | 5 | 1-87654-5 | 6-87655-5 | 1-87258-5 | 6-87194-4 | A,D,G,K,N | |
| 16 | 15 | 2.340 [59.44] | 2.451 [62.26] | 8 | 1-87654-6 | 6-87655-6 | 1-87258-6 | 6-87194-5 | A,C,E,G,J,L,N,Q | |
| 17 | 16 | 2.496 [63.40] | 2.607 [66.22] | 6 | 1-87654-7 | 6-87655-7 | 1-87258-7 | 6-87194-6 | A,D,G,K,N,R | |
| 18 | 17 | 2.652 [67.36] | 2.763 [70.18] | 7 | 1-87654-8 | 6-87655-8 | 1-87258-8 | 6-87194-7 | A,D,F,J,M,PS | |
| 19 | 18 | 2.808 [71.32] | 2.919 [74.14] | 8 | 1-87654-9 | 6-87655-9 | 1-87258-9 | 6-87194-8 | B,D,F,J,L,N,Q,S | |
| 20 | 19 | 2.964 [75.29] | 3.075 [78.11] | 10 | 2-87654-0 | 7-87655-0 | 2-87258-0 | 6-87194-9 | A,C,E,G,J,L,N,Q,S,U | |
| 21 | 20 | 3.120 [79.25] | 3.231 [82.07] | 7 | 2-87654-1 | 7-87655-1 | 2-87258-1 | 7-87194-0 | A,D,G,K,N,R,U | |
| 22 | 21 | 3.276 [83.21] | 3.387 [86.03] | 11 | 2-87654-2 | 7-87655-2 | 2-87258-2 | 7-87194-1 | A,C,E,G,J,L,N,Q,S,U,W | |
| 23 | 22 | 3.432 [87.17] | 3.543 [89.99] | 8 | 2-87654-3 | 7-87655-3 | 2-87258-3 | 7-87194-2 | A,D,G,K,N,R,U,X | |
| 24 | 23 | 3.588 [91.14] | 3.699 [93.95] | 12 | 2-87654-4 | 7-87655-4 | 2-87258-4 | 7-87194-3 | A,C,E,G,J,L,N,Q,S,U,W,Y | |
| 25 | 24 | 3.744 [95.10] | 3.855 [97.92] | 11 | 2-87654-5 | 7-87655-5 | 2-87258-5 | 7-87194-4 | A,C,E,H,K,M,Q,S,U,W,Y | |

Note: All part numbers are RoHS compliant.

**Locking Clip Contacts for .031 x .062 [0.79 x 1.57] Posts,
.031 x .062 [0.79 x 1.57] Centerline**

Wire Crimp Contacts with Insulation Support

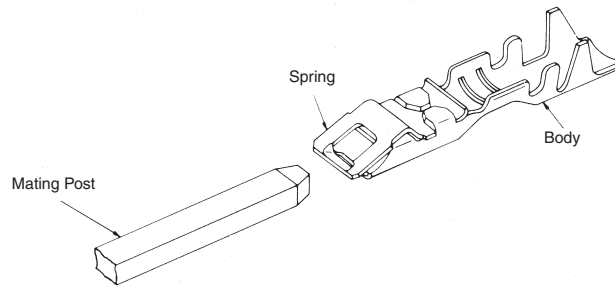
Material and Finish

Contact Body — Phosphor bronze, plated as follows:

Plating A — Selectively plated .000015 [0.00038] gold on contact area, with gold flash over .000050 [0.00127] nickel on entire post

Plating B — .000100 [0.00254] min. tin over .000050 [0.00127] nickel on entire contact

Contact Spring — Stainless steel



Related Product Data

Mate with —
Machine Applied Posts — page 294
Headers (.500 Post Height Only) — pages 295-297 (see recommended post length below)*

Housings used in — page 299

Application Tooling — pages 300-304

Performance Specification — page 305

Technical Documents — page 305

| Wire Size Range AWG [mm ²] | Ins. Dia. Range | Finish | Contact Part Nos. | |
|---|------------------------|-----------|-------------------|-------------|
| | | | Strip Form | Loose Piece |
| 22-18 [0.3-0.9] | .050-.0100 [1.27-2.54] | Plating A | 87269-2 | 87278-2 |
| | | Plating B | 5-87269-1 | 5-87278-1 |

| Wire Size Range AWG [mm ²] | Applicator | | | Premium CERTI-CRIMP Hand Tool Part Number |
|---|-------------|------|--|---|
| | Part Number | Type | Used With Machine | |
| 22-18 [0.3-0.9] | 466007-2 | HDM | Model "K" (AMP-O-LECTRIC) ¹ | 90308-1 |
| | 466950-2 | SCA | Stripper/Crimper (AMP-O-MATIC) | |

¹AMP-O-LECTRIC KII Machine. Applicators also available for AMPOMATOR Lead Making Machines. Consult Tyco Electronics.

Note: These contacts must be crimped in accordance with Tyco Electronics Specification No. 114-25008 in order to function properly in a connector housing. Extraction Tool **Part No. 91104-1** is used for removing individual contacts from connector housings and for detaching contacts from mating posts.

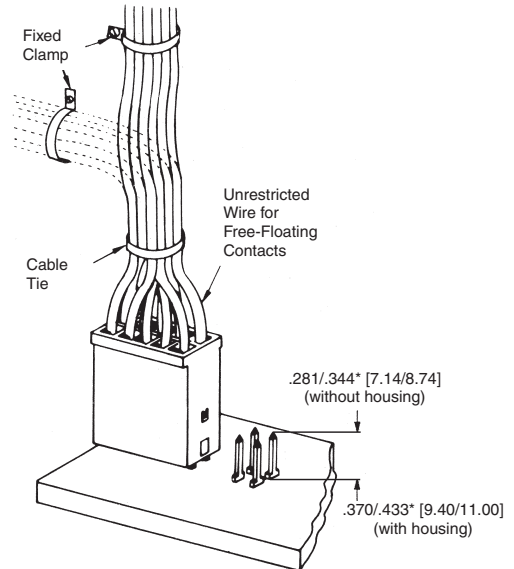


Extraction Tool
Part No. 91104-1

Instruction Sheet
408-7678

Wire Harnessing

If necessary, wires can be grouped with cable ties and secured to a panel with fixed clamps. However, locking clip contacts must be free to float within the connector housings to allow proper extraction. Therefore, harnessing hardware or the use of multiple terminations per contact must not restrict the free-floating action of contacts in the housing. For more information, request Insulating and Bundling Products Catalog 124132.

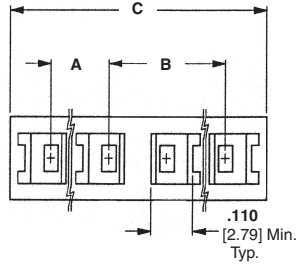


*Dimension defines .031 x .062 [0.79 x 1.57] portion of post. If post is longer than maximum specified, post tip may butt against wire ends.

Note: All part numbers are RoHS compliant.

Locking Clip Connector Housings, .031 x .062 [0.79 x 1.57] Centerline

Single Row, .156 [3.96] Centers



Material and Finish

Black thermoplastic, 94V-0 rated

Related Product Data

Contacts used with — page 298

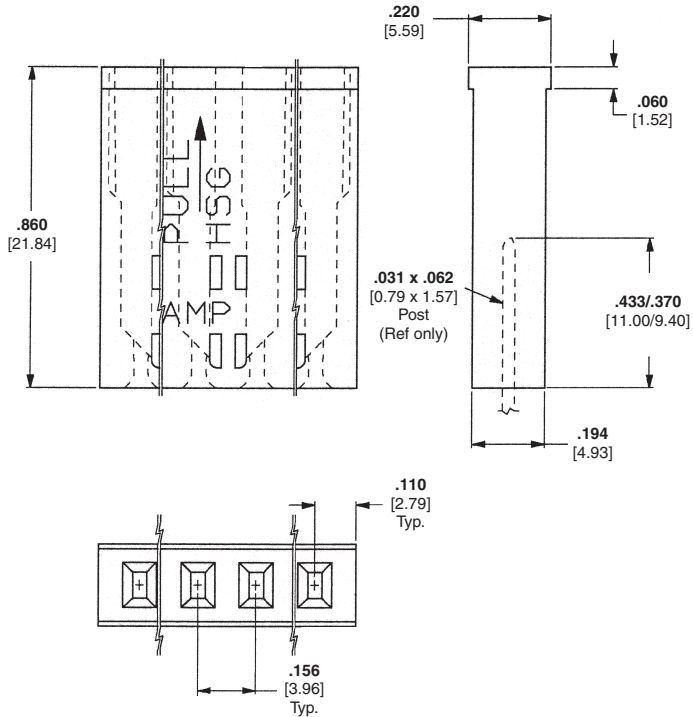
Mate with —

Machine Applied Posts — page 294

Headers — pages 295-297 (see page 298 for recommended post length)

Performance Specifications — page 305

Technical Documents — page 305



| No. of Pos. | Dimensions | | | Housing Part Nos. | | Keyed Positions on Mating Face |
|-------------|--------------|--------------|---------------|-------------------|-----------|--------------------------------|
| | A | B | C | UnKeyed | Keyed | |
| 1 | — | — | .200 [5.08] | 87270-1 | — | — |
| 2 | — | — | .376 [9.55] | 87270-2 | — | — |
| 3 | .156 [3.96] | .156 [3.96] | .532 [13.51] | 1-87270-3 | — | — |
| 3 of 4 | .156 [3.96] | .312 [7.92] | .688 [17.48] | — | 87270-3 | □□■□ |
| 4 | | | | 87270-4 | — | — |
| 4 of 5 | .312 [7.92] | .312 [7.92] | .844 [21.44] | — | 1-87270-0 | □□□■□ |
| 5 | | | | 1-87270-4 | — | — |
| 5 of 6 | .312 [7.92] | .468 [11.89] | 1.000 [25.40] | — | 1-87270-2 | □□□□■□ |
| 6 | | | | 87270-5 | — | — |
| 6 of 7 | .468 [11.89] | .468 [11.89] | 1.156 [29.36] | — | 1-87270-1 | □□□□■□□ |
| 7 | | | | 1-87270-5 | — | — |
| 8 | .468 [11.89] | .624 [15.85] | 1.312 [33.32] | 87270-6 | — | — |
| 9 | .624 [15.85] | .624 [15.85] | 1.468 [37.29] | 1-87270-6 | — | — |
| 10 | .624 [15.85] | .780 [19.81] | 1.624 [41.25] | 87270-7 | — | — |
| 11 | .780 [19.81] | .780 [19.81] | 1.780 [45.21] | 1-87270-7 | — | — |
| 12 | .780 [19.81] | .936 [23.77] | 1.936 [49.17] | 87270-8 | — | — |

■ Indicates "closed cavity". No post entry hole in this position.

Notes: 1. All housings listed above will accept Locking Clip Contacts No. 87269 and 87278, refer to page 298
2. Refer to Tyco Electronics Instruction Sheet 408-7676 for proper contact orientation within the housings.

Note: All part numbers are RoHS compliant.

Application Tooling

For Crimp Snap-In Receptacles and Locking Clip Contacts

Side-Feed Heavy-Duty Miniature Applicators (Coded HDM)



Interchangeable applicators for crimping products reeled side-by-side on single or dual carrier strips (primarily closed-barrel terminals and open-barrel contacts). Similar design as the end-feed version. All side-feed applicators include a wire stop to help correctly position the wire end in the crimping target area.

For more information, request Instruction Sheet **408-8040**.

AMP-O-LECTRIC Model "G" Terminating Machines, 354500-1, -9, -11



Semiautomatic bench machines for crimping reeled terminals and contacts, featuring a quiet and reliable direct motor drive, microprocessor controls for ease of setup and operation, and guarding and lighting designed for operator convenience and safety. All models are equipped with either manual or automatic precision adjustment of crimp height. Machine-mounted sensors are available for crimp quality monitoring using conventional miniature-style applicators.

Specifications

Width — 18.7-25.3 [475-643] depending on applicator type
Depth — 21.5-28.1 [546-713] depending on applicator type
Height — 20 [508]
Weight — 240 lb [110 kg]
Electrical — 120 or 220 VAC, 50 or 60 Hz; 310 VA
Air — 90-110 psi [6.21-7.59 bar], 6 scfm [0.00282 m³/s] when required with air-feed applicators
Wire Range — 26-10 AWG [0.12-6 mm²] solid or stranded, depending on product applied
 For more information, request Catalog **65828**, Video **198116**, Catalog **82275 [Crimp Quality Monitor (CQM)]**, Video **198094**.

AMPOMATOR CLS IV+ Lead-Making Machines, 356500-1, -2, 1213400-1, -2



Fully-automatic machines that measure, cut, strip and terminate single leads. Microprocessor-controlled, and programmed and operated using an easy-to-follow, menu-driven touchscreen. Features include direct-drive terminating units with precision crimp height adjustment, fully programmable setups, wire runout and splice detection, and motorized pre-feed with wire straightener. Crimp quality monitoring is also available.

Specifications

Width — 159 [4 040]
Depth — 68 [1 730]
Height — 86 [2 185] with 24 [610] dia. reel
Weight — 2 000 lb [907 kg]
Electrical — 220 VAC, 50 or 60 Hz, single phase, 25 A, with neutral and ground
Air — 90 psi [6.21 bar], 15 scfm [0.0071 m³/s] sustained
Wire Range — 26-10 AWG [0.12-6 mm²] stranded, 26-16 AWG [0.12-1.4 mm²] solid
Lead Lengths — 3-90 [76.2-2 285], 90-1 000 [2 285-25 400] with long lead conveyors
 For more information, request Catalog **124324**, Video **198142** (NTSC), **199609** (PAL).

Note: All part numbers are RoHS compliant.

Note: For additional tooling options, contact Tyco Electronics or reference the Tyco Electronics web site.

Application Tooling (Continued)

For Crimp Snap-In Receptacles and Locking Clip Contacts (Continued)

AMP-O-MATIC Stripper-Crimper Machines, 854040-3, -4



Semiautomatic bench crimping machines that also strip the wire, and are therefore used for terminating jacketed cable. Feature manual precision adjustment of crimp height, keyed strip blades for faster, more accurate setups, and an efficient scrap removal system. All adjustments can be made from the front of the machines without special tools. Available with crimp quality monitoring.

Specifications

Width—14 [355]
Depth—18 [457]
Height—33 [838] without reel
Weight—150 lb [68 kg]
Electrical—120 VAC, 50 or 60 Hz, .5 A
Air—80-100 psi [5.52-6.90 bar], 3.5 scfm [0.00165 m³/s]
Wire Range—32-14 AWG [0.03-2 mm²]
 For more information, request Catalog **65004**, Video **198075**, Catalog **82275 [Crimp Quality Monitor (CQM)]**, Video **198094**.

Stripper-Crimper Applicators (coded SCA)



Interchangeable applicators for crimping products in AMP-O-MATIC Stripper-Crimper Machines. Consist of separate ram and lower tooling assemblies. Similar dial-in settings for different wire sizes and insulation diameters as HDM applicators. Available with sensors for use with the Crimp Quality Monitor.

For more information, request Catalog **65004 (AMP-O-MATIC Stripper-Crimper Machines)**, Catalog **82275 [Crimp Quality Monitor (CQM)]**.

Kappa 235, Automatic Cut and Strip, 3-547178-1



The Kappa 235 has the capability of processing wires with a cross section of up to 4 AWG and an outside diameter of 0.59 inch. Options include an inner conductor processing kit for multiconductor cables and a flat ribbon cable kit.

Specifications

Width—25 [630]
Depth—16 [490]
Height—13.4 [370]
Weight—95 lb [44 kg]
Wire Cross-Sections—24-4 AWG [0.22-25 mm²]
Flat Ribbon Cables—width up to 40mm
Length Range—0.04"-328ft [1mm - 99.99m] (+/- 0.2%)
Electrical—110/230 V - 50/60Hz, switches automatically

Cosmic 927R Micro-Cable Stripper



The Cosmic 927R Micro-Cable Stripper was developed to reliably strip various insulation materials and micro-cable. From conductor diameter 36 AWG to 10 AWG, the stripping diameter display can be set to within 0.1mm increments.

Thus optimal stripping quality is guaranteed and damage to the conductor is eliminated.

Note: All part numbers are RoHS compliant.

Note: For additional tooling options, contact Tyco Electronics or reference the Tyco Electronics web site.

Application Tooling (Continued)

For Crimp Snap-In Receptacles and Locking Clip Contacts (Continued)

CERTI-CRIMP Straight Action Hand Tools (SAHT)



Premium grade hand tools. Feature ratchet control to provide complete crimp cycle. Die sets close in a straight line. Include a contact locator and wire stop, plus an insulation crimp adjustment lever, when applicable. Approximate weight 1.3 lb [0.59 kg]

All CERTI-CRIMP head assemblies / dies, have multiple power options available. The accompanying diagram outlines those power options. See catalogs 1654714 (SDE Electric Terminator), 124208 (626 Pneumatic Tool System) and 1773381 (Battery-Powered Crimp Tool Kits) for more information.

For more information, request Catalog **65780**.



PRO-CRIMPER III Hand Tool



Commercial grade hand tool for crimping various products. Features ratchet control to provide complete crimp cycle. Accepts both pinned- and shouldered-style die sets. Locators are provided with pinned-style die sets for proper contact and wire positioning, and to help minimize contact rotation and bending during crimping. Approximate weight 1.3 lb [0.60 kg].

All PRO-CRIMPER head assemblies / dies, have multiple power options available. The accompanying diagram outlines those power options. See catalogs 1654714 (SDE Electric Terminator), 124208 (626 Pneumatic Tool System) and 1773381 (Battery-Powered Crimp Tool Kits) for more information.

Instruction Sheet
408-9930



Note: For additional tooling options, contact Tyco Electronics or reference the Tyco Electronics web site.

Application Tooling (Continued)

**For Board Mount
Receptacles and Machine
Applied Posts**

**Modular Insertion System
(MIS) Bench Machines,
217600 Series,
662820 Series (shown)**



For Board Mount Receptacles

Bench machines for inserting a variety of products into pc boards. Uses the same interchangeable insertion heads as the Comp-U-Sertor II Machines. Series 217600 machines feature a manually-operated X-Y positioning fixture, plus a locator spotlight. The machine cycles when the board hole is placed on the anvil and both triggers on the dual handles attached to the X-Y fixture are depressed. Series 662820 machines, without board fixturing, cycle automatically when the hole is properly located. A stabilizing disk over the anvil helps keep the board level.

This benchtop insertion machine installs contacts into PC boards at rates to 2000 per hour. A spotlight highlights the insertion area, and lower tooling assures precise board location. The machine is activated by a foot pedal.

Specifications

- Width** — 18 [457]
 - Depth** — 24 [610]
 - Height** — 18 [457]
 - Weight** — 250 lb [113 kg]
 - Electrical** — 120 to 220 VAC, 50 or 60 Hz (217600); 120 or 240 VAC, 60 Hz, single phase, 120 VA (662820)
 - Air** — 80 psi [5.52 bar] min., 15 scfm [0.00708 m³/s] min.
 - Insertable Area** — 18 x 22 [457 x 559] max.
- For more information, request Catalog **296059**.

**P300 Automatic Insertion
Machine**



Automatic machine for inserting a variety of contacts into pc boards (PCBs). Equipped with an insertion tool (comprised of a product-specific insertion head, an anvil, and a product feed mechanism). Stepper-motor driven X-Y table positions PCBs under insertion head. Surface Mount Equipment Manufacturers Association (SMEMA) compatible inline PCB Insertion Station for posts, tabs, receptacles or sockets. Stand-alone unit is field upgradeable to Pass Through. Mounts up to four Tyco Electronics pneumatic insertion heads. Modem diagnostics standard, vision system optional. Control panel used to program and monitor entire insertion process.

Specifications

- Width** — 57.5 [1 460]
 - Depth** — 64.5 [1 640]
 - Height** — 60 [1 520]
 - Weight** — Depending on configuration
 - Electrical** — 110 V, 60 Hz
 - Air** — 87 psi [6 bar]
 - Insertable Area** — 24 x 16 [600 x 400]
- For more information, contact Tyco Electronics.

Note: All part numbers are RoHS compliant.

Note: For additional tooling options, contact Tyco Electronics or reference the Tyco Electronics web site.

Application Tooling (Continued)

**For Board Mount
Receptacles and Machine
Applied Posts** (Continued)

P350 Pin Insertion Machine



The P350 is a fully automatic inline pin insertion machine capable of applying reeled pins, tabs, receptacles and similar products into PCBs. With inline operation, an automatic tool changer and insertion rates up to 5 per second, it is focused at fully automatic high speed operation to maximize throughput while minimizing costly scrap.

A servo powered XY table positions the PCB under a central drive station at high speed. The tool changer can hold up to 3 insertion heads each capable of applying a different product. A unique rotary insertion finger allows the application of products at up to 7 different angles without rotating the PCB. This allows the P350 to apply product at different angles without a reduction in insertion rate or the potential positioning error associated with PCB rotation. Icon driven software with touch screen provides a simple to use, intuitive operator interface.

The P350 provides a wide range of solutions for pin insertion applications. Quick change tooling packs, and a wide range of options make it a flexible high speed platform.

Specifications

Width — 102 [2600]

Depth — 118 [3000]

Height — 87 [2200]

Weight — approx 3500 lb [1600 kg]

Electrical — 230 V, 50-60 Hz, 10 A

Air — 600 kPa dried air

Max. Board Size — 17.5 x 17.5 [450 x 450]

Performance Specifications

The electrical, mechanical and environmental characteristics of the AMPMODU .031 x .062 [0.79 x 1.57] Interconnection System are listed below:

Mechanical Characteristics

Contact Durability

| Plating | Receptacles | | Locking Clip Contacts |
|----------------------------|-------------------|---------------|-----------------------|
| | Standard Pressure | High Pressure | |
| .000016 [0.00041] Min. Tin | 75 Cycles | 25 Cycles | N/A |
| .000079 [0.00201] Min. Tin | 75 Cycles | 25 Cycles | N/A |
| .000100 [0.00254] Min. Tin | N/A | N/A | 25 Cycles |
| .000015 [0.00038] Gold | 75 Cycles | 50 Cycles | 25 Cycles |
| .000030 [0.00076] Gold | 200 Cycles | 100 Cycles | N/A |

Electrical Characteristics

Contact Current Rating —

5 amperes max. for single contact in free air, could vary due to ambient temperature, wire size and duty cycles.

Contact Resistance —

12 milliohms at 100 ma and 50 mv open circuit.

Dielectric Rating —

At Sea Level – 1200 VAC between contacts on .156 [3.96] centers for 1 minute.

Insulation Resistance — 5 x 10³ megohms (initial)

Connector Durability

Receptacles

Mating – 16 oz. [4.45N] max. per contact after 3 mating cycles (standard pressure)

–30 oz. [8.34N] max. per contact after 3 mating cycles (high pressure, gold)

–60 oz. [16.68N] max. per contact after 3 mating cycles (high pressure, tin)

Unmating – 1 oz. [0.28N] min. per contact after 3 mating cycles (standard pressure)

3 oz. [0.83N] min. per contact after 3 mating cycles (high pressure)

Locking Clip Contacts

Mating – 4 lb. [17.79N] max. per contact after 3 mating cycles

Unmating – 2 lb. [8.90N] min. per contact after 3 mating cycles

Environmental Characteristics

Operating Temperature — -65°C to 105°C [-85°F to 221°F] (Gold Plated)

-65°C to 60°C [-85°F to 140°F] (Tin Plated)

Technical Documents

Various technical documents are available for your use:

Product Specifications

describe technical performance characteristics and verification tests. They are intended for the Design, Component and Quality Engineer.

108-25016 Interconnection System, Standard Pressure

108-25025 Interconnection System, High Pressure, Gold

108-25025-1 Interconnection System, High Pressure, Tin

108-36029 Locking Clip Connectors

Application Specifications

describe requirements for using the product in its intended application and/or crimping information. They are intended for the Packaging and Design Engineer and the Machine Setup Person.

114-25000 Crimp Snap-In Receptacle Contacts

114-25004 Board Mount Receptacle Contacts

114-25008 Locking Clip Contacts

114-25011 Machine Applied Straight Posts

Instruction Sheets provide instructions for assembling or applying the product. They are intended for the Manufacturing Assembler or Operator.

408-7308 Clinching Procedures for Header Assemblies

408-7411 Suggestions for Wave Soldering AMPMODU Receptacles

408-7594 Tyco Electronics Hand Tool 90274-2 for Crimping Crimp Snap-In 18-22 AWG Contacts

408-7750 Tyco Electronics Hand Tool 90328-1 for Crimping Crimp Snap-In Contacts (22-26 AWG)

408-7676 AMPMODU Locking Clip Connectors and Contacts

408-7671 Tyco Electronics Hand Tool 90308-1 for Crimping Locking Clip Contacts

408-7678 Tyco Electronics Extraction Tool 91104-1 for Locking Clip Contacts

408-7981 Clinching Procedures for Receptacle Assemblies

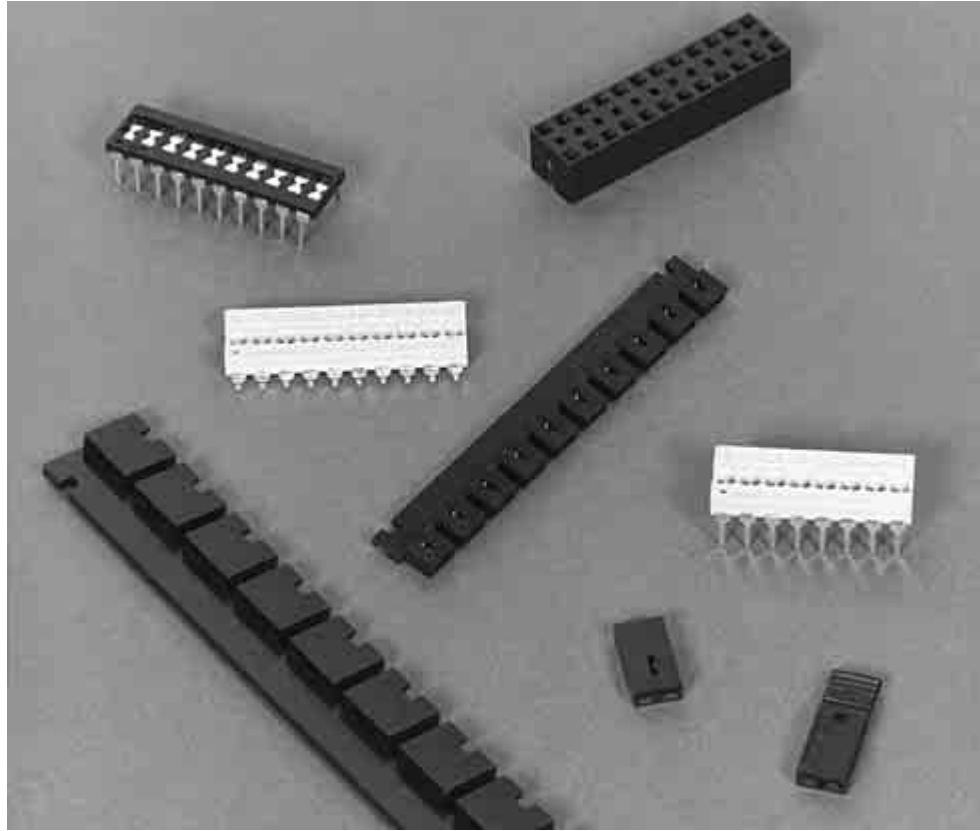
408-9451 Tyco Electronics Extraction Tool 843473-1 for Crimp Snap-In Receptacles

Note: All part numbers are RoHS compliant.

Shunts

Product Facts

- **7600 Series Programmable Shunts** use conventional .100 x .300 [2.54x7.62] DIP leg spacing
- **Post Shunts** are used to common pairs of .025 [0.64] square posts, .025 [0.64] diameter round posts and .022 x .026 [0.56 x 0.66] formed posts



Tyco Electronics offers a variety of high quality shunts for low cost manual programming. Tyco Electronics 7600 Series Programmable Shunts are designed on the standard .100 x .300 [2.54 x 7.62] DIP spacing.

Tyco Electronics DIP Shunts are a highly reliable, low cost means of manually programming various types of electrical/electronic equipment. The shunt consists of a series of conductive straps packaged in a DIP configuration. The straps can be retained intact for a closed circuit or broken with a hand tool to produce an open circuit.

Tyco Electronics Post Shunts mate with any common pairs of square, rectangular and round posts. Post shunts come in two-position low profile, 2 mm miniature, tandem spring, dual beam, and multiposition versions.

Among the options available are choices of gold or tin plating, beryllium copper or phosphor bronze contact material and shunts with 94V-0 rated housing spaces on .079 [2.00], .100 [2.54] and .200 [5.08] centers with the low profile series requiring only .250 [6.35] clearance from the pc board.

All Tyco Electronics shunts feature one-piece construction for high reliability. All have high normal forces for excellent electrical continuity. For added reliability, Tandem Spring and Dual Beam Shunts have two points of contact in each receptacle.

Dual In-Line Package (DIP) Shunts — 7600 Series

**Standard Shunt
Standard Pressure**

Material and Finish

Housing — Glass-filled polyester, UL 94V-0 rated

Contacts — Brass

Finish — Selectively plated .000100 min. tin on solder area over .000050 min. nickel on entire contact

Contact Lead Spacing — .100 x .300 [2.54x7.62]

Lead Length — .140 [3.56] below mounting surface

Housing Color — Black

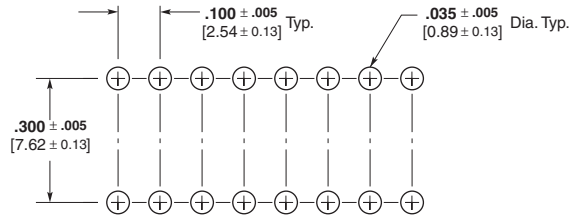
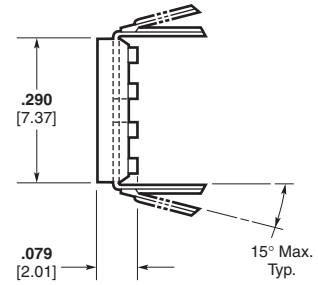
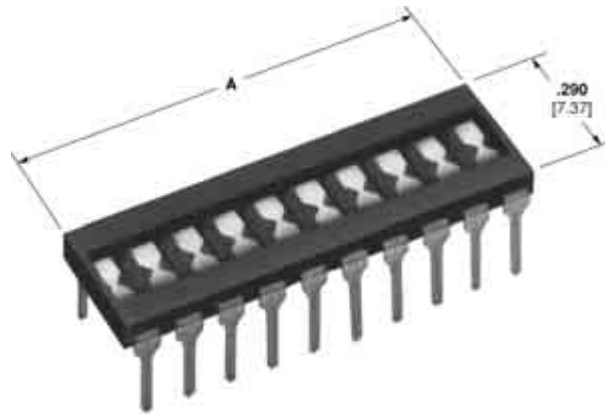
Programming Tool — See below

Programming Hand Tool

Part No. 435862-1



This tool provides a reliable means of programming DIP shunts. It is rugged, light-weight and dependable. No special skills are required to use this tool.



| No. of Pos. | Dimension A | | Standard Shunt Standard Pressure |
|-------------|-------------|-------|----------------------------------|
| | inch | mm | |
| 4 | .400 | 10.16 | 1825190-4 |
| 6 | .600 | 15.24 | 1825190-6 |
| 7 | .700 | 17.78 | 1825190-7 |
| 8 | .800 | 20.32 | 1825190-8 |
| 9 | .900 | 22.86 | 1825190-9 |
| 10 | 1.000 | 25.40 | 1-1825190-0 |
| 12 | 1.200 | 30.48 | 1-1825190-2 |

Note: All part numbers are RoHS compliant.

Post Shunts

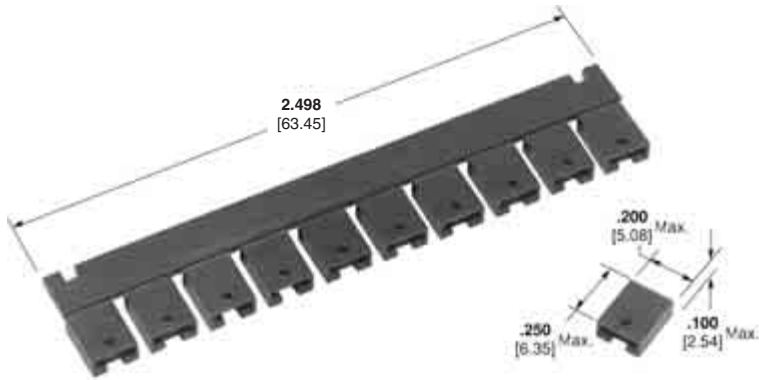
Product Facts

- One-piece contact construction
- High normal forces
- 94V-0 rated housings
- Gold inlay, gold plate or tin plate over nickel
- Stackable
- Those post shunts indicated are recognized under the component program of Underwriters Laboratories Inc., File No. E28476 and certified by the Canadian Standards Association File No. LR 7189



2-Position, Low Profile Shunts

Economy Shunt
.100 [2.54] Centerline



| Configuration | Housing Color | Part Numbers | | | |
|---------------|---------------|---|---|-----------------------------------|------------------------------------|
| | | Gold Plate ¹ .000015 [0.00038] | Gold Flash ¹ .000005 [0.00013] | Tin Plate .000100 [0.00254] | Gold Plate .000030 [0.00076] |
| Strip of 10 | Blue | 382811-2 | — | — | — |
| Strip of 10 | Black | 382811-6 | 382811-8 | 382811-5 | 2-382811-0 |
| Strip of 10 | Red | 382811-9 | — | — | — |
| Loose Piece | Black | 1-382811-6 | 1-382811-8 | — | — |

¹In contact area

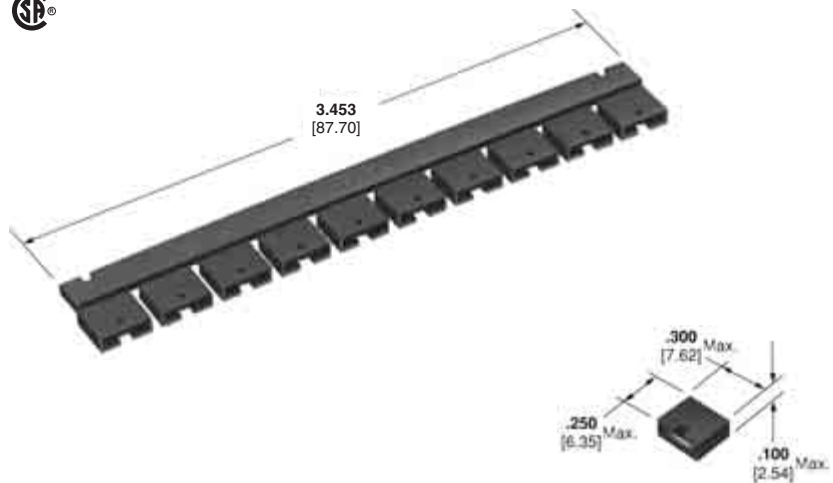
Tandem Spring Shunts

- Two points of contact provide extra reliability
- Shunts accept posts as short as .175 [4.45]; posts bottom at .330 [8.38]

2mm Mini Shunts

- Stackable on 2mm contact centerline
- Low profile
- Available in strips of 10

Standard Housing Shunt
.200 [5.08] Centerline



| Configuration | Housing Color | Part Numbers | | |
|---------------|---------------|---|---|-----------------------------------|
| | | Gold Plate ¹ .000015 [0.00038] | Gold Plate ¹ .000030 [0.00076] | Tin Plate .000100 [0.00254] |
| Strip of 10 | Black | 531230-2 | 531230-3 | 531230-1 |

¹In contact area

Material and Finish — Low Profile and 2mm Shunts

Housing — Glass-filled thermoplastic, black, UL 94V-0 rated

Contacts — Beryllium copper or phosphor bronze, plated .000050 [0.00127] nickel underplate with gold plate in contact area or tin overall

Material and Finish — Tandem Spring Shunts

Housing — Nylon, UL 94V-0 rated

Contacts — Phosphor Bronze

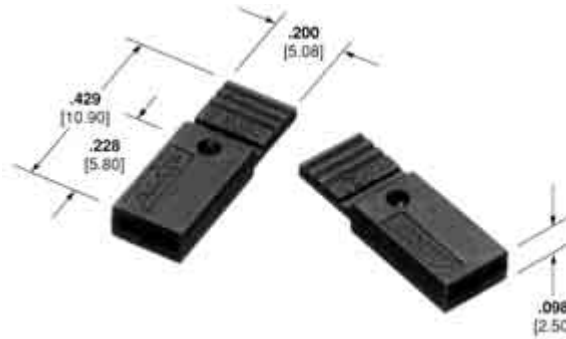
Finish — .000030 [0.00076] nickel underplate with gold inlay in the contact area or tin overall

Note: All part numbers are RoHS compliant.

Post Shunts (Continued)

**2-Position,
Low Profile Shunts (Novo)**
(Continued)

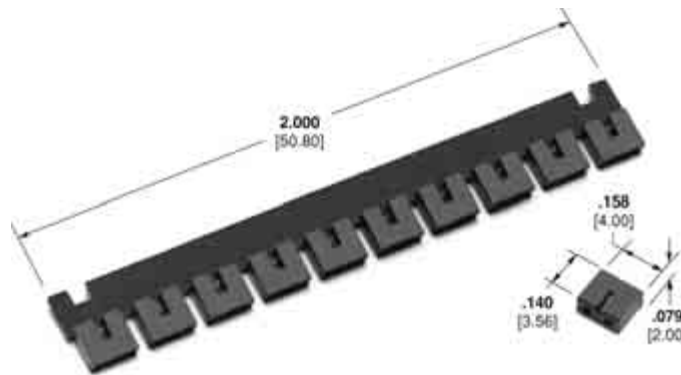
Handle Shunt
.100 [2.54] Centerline



| Housing Color | Loose Piece Part Numbers | | | | Type |
|---------------|--------------------------------------|--------------------------------------|--------------------------------------|------------------------|------------|
| | Gold Plate ¹ [0.00038] | Gold Plate ¹ [0.00076] | Gold Plate ¹ [0.00127] | Tin Plate [0.00254] | |
| Black | 881545-1 | 881545-2 | 881545-3 | 4-881545-2 | Open Top |
| Black | 880584-1 | 880584-2 | 880584-3 | 880584-4 | Closed Top |

¹In contact area

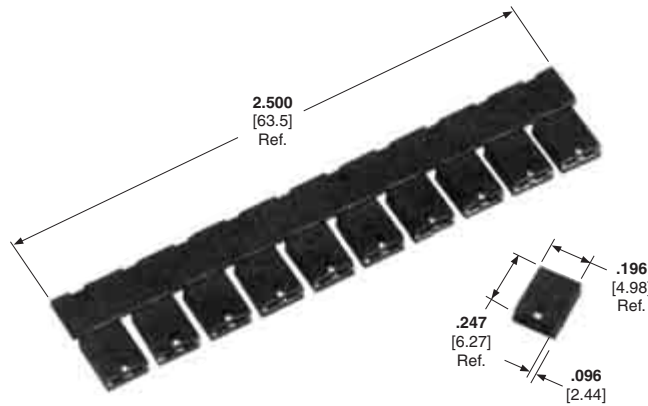
2 mm Mini-Shunt
.079 [2.00] Centerline



| Configuration | Housing Color | Part Numbers | |
|---------------|---------------|--------------------------------------|--------------------------------------|
| | | Gold Plate ¹ [0.00038] | Gold Plate ¹ [0.00076] |
| Strip of 10 | Black | 382575-2 | 382575-3 |

¹In contact area

Dual Beam Shunt



| Configuration | Housing Color | Part Numbers | | Type |
|---------------|---------------|--------------------------------------|--------------------------------------|----------|
| | | Gold Plate ¹ [0.00038] | Gold Plate ¹ [0.00076] | |
| Strip of 10 | Black | 390088-2 | 390088-1 | Open Top |
| Strip of 10 | Blue | 390088-4 | 390088-3 | Open Top |
| Strip of 10 | Yellow | — | 390088-5 | Open Top |

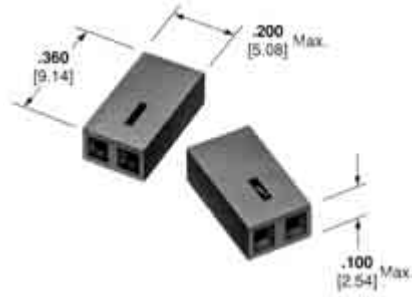
¹In contact area

Note: All part numbers are RoHS compliant.

Post Shunts (Continued)

Tandem Spring Shunt

.100 [2.54] Centerline



| Housing Color | Part Numbers | |
|---------------|-------------------------|----------------------|
| | Gold Inlay ¹ | TinPlate |
| | .000030 [0.00076] | .000100 [0.00254] |
| Black | 530153-2 | 4-530153-1 |

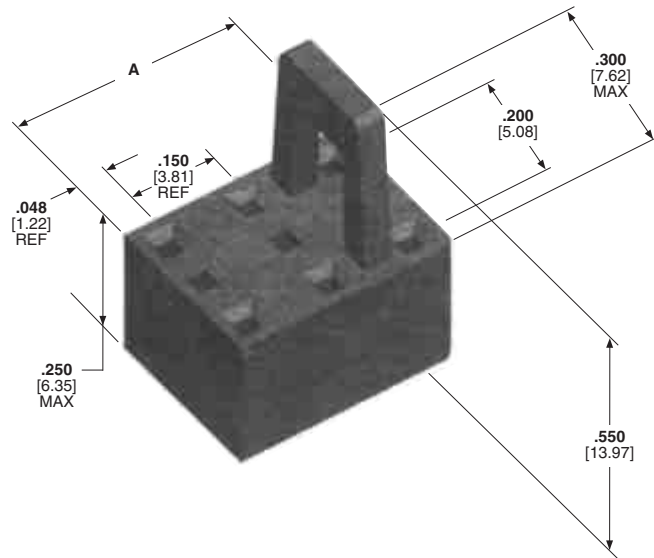
¹In contact area

Multiposition Shunts for .025 [0.64] Square Posts

.200 [5.08] Centerline



Housing — Glass-filled polyester
Contacts — Beryllium Copper
Finish — .000030 [0.00076] gold in contact area over .000050 [0.00127] nickel on entire contact
Current Rating — 2.5 amps



| Size | Dimension A | | Housing Color | Part Number |
|------|-------------|-------|---------------|-------------|
| | inch | mm | | |
| 2x2 | .246 | 6.25 | Black | 390102-1 |
| 2x2 | .246 | 6.25 | Red | 390102-3 |
| 2x3 | .396 | 10.01 | Black | 390102-2 |

Shunts

8

Note: All part numbers are RoHS compliant.

Performance Specifications

Dual In-Line Package (DIP) Shunts — 7600 Series

Current Rating —

Standard pressure — 2 amperes for +20°C rise above ambient (one conductor per shunt)
Machine insertable — 1 ampere for +20°C rise above ambient (one conductor per shunt)

Insulation Resistance — 1×10^{10} ohms min. at 100 VDC

Dielectric Withstanding Voltage — 500 VDC min.

Capacitance — 2 picofarads max. between adjacent straps

Temperature Rating — -55°C to +105°C

Terminal Strength (Bend Test) — Two 45° bend cycles per MIL-STD-202, Method 211, Condition B

Solder Bridging —

Cut straps can be reconnected by solder bridging. Solder bridging recommendations are:

- Use low temperature solder (60/40 tin/lead)
- Use solder tip approximately 1/32 [0.79] in diameter
- Do not let solder tip come in contact with plastic material

Post Shunts

Current Rating —

3 amperes max. unless otherwise noted

Temperature Rating — -65°C to +105°C (gold) -40°C to +85°C (tin)

Technical Documents

Various technical documents are available for your use:

Product Specifications describe technical performance characteristics and verification tests. They are intended for the Design, Component and Quality Engineer.

| | |
|-----------|------------------------------------|
| 108-7533 | Dual In-Line Package (DIP) Shunts |
| 108-1445 | 2mm Mini Shunt |
| 108-1476 | Economy Shunt, Multiposition Shunt |
| 108-1674 | Dual Beam Shunt |
| 108-9057 | Low Profile Shunt |
| 108-9062 | Tandem Spring Shunt |
| 108-37006 | Novo Shunt with Handle |

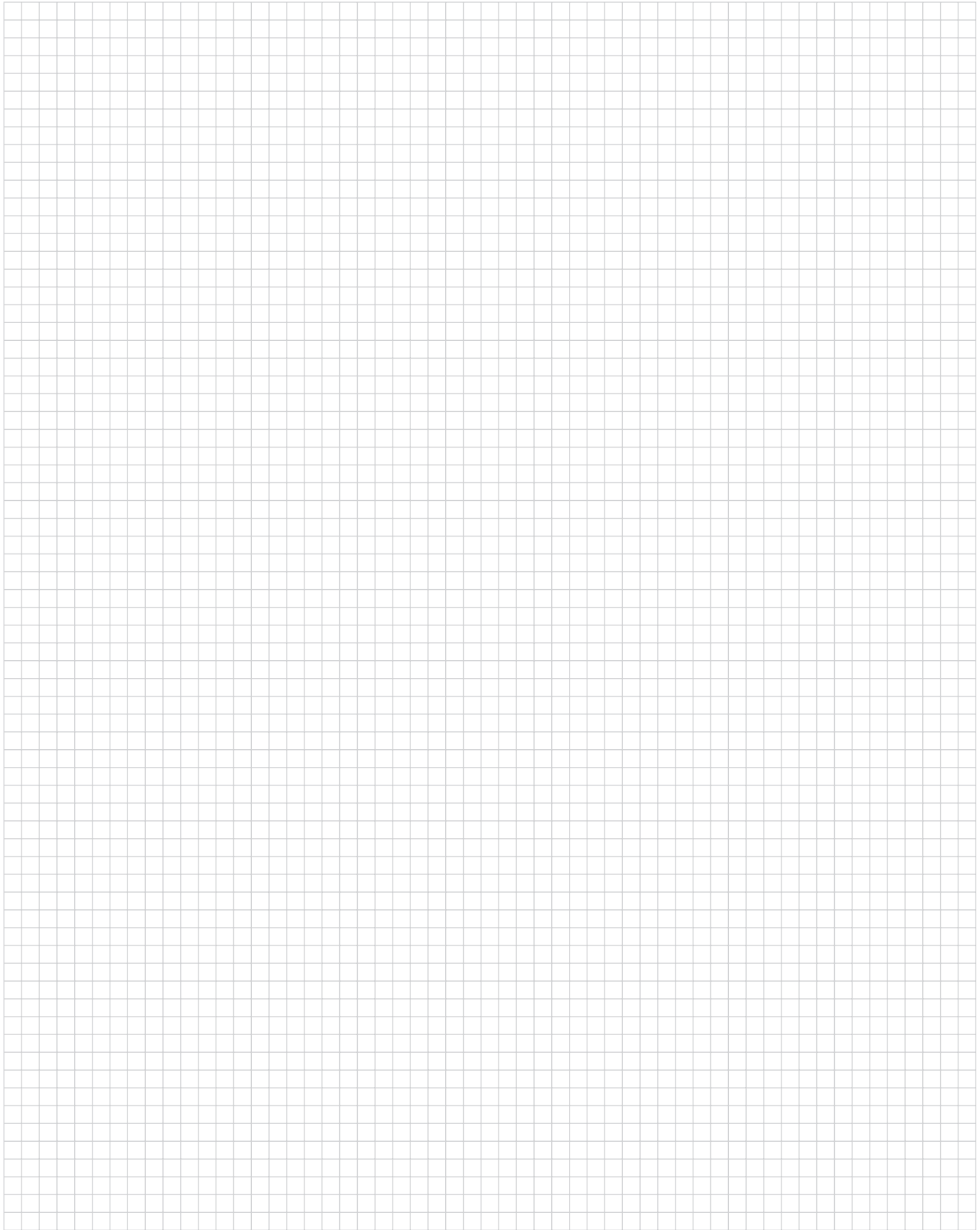
Application Specifications describe requirements for using the product in its intended application and/or crimping information. They are intended for the Packaging and Design Engineer and the Machine Setup Person.

| | |
|----------|--|
| 114-1045 | Tandem Spring Shunt |
| 114-1054 | Dual In-Line Package (DIP) Shunts |
| 114-1059 | Economy Shunt, Dual Beam Shunt, Low Profile Shunt, Multiposition Shunt |
| 114-1074 | 2mm Mini Shunt |

Instruction Sheets provide instructions for assembling or applying the product. They are intended for the Manufacturing Assembler or Operator.

| | |
|----------|---|
| 408-7768 | Dual In-Line Package (DIP) Shunts |
| 408-3208 | Tandem Spring Shunt |
| 408-3230 | Economy Shunt, Dual Beam Shunt, Low Profile Shunt |
| 408-3251 | Multiposition Shunt |
| 408-3276 | 2mm Mini Shunt |

Engineering Notes



Part Number Index

Note: This index lists all cataloged parts by base no. only. Complete part nos. (with prefixes and/or suffixes) are shown on the page(s) indicated.

| Part No. | Page | Part No. | Page | Part No. | Page |
|----------|--|----------|----------------------|----------|---------------|
| 19156 | 139, 140 | 87227 | 85, 96, 97 | 102104 | 290 |
| 57013 | 58 | 87230 | 85, 98, 99 | 102106 | 290 |
| 57038 | 58 | 87232 | 85, 94, 95, 210, 221 | 102107 | 211 |
| 57118 | 58 | 87233 | 94, 95 | 102114 | 203 |
| 57119 | 58 | 87247 | 295 | 102128 | 210, 213 |
| 57131 | 58, 59 | 87258 | 297 | 102185 | 255, 258, 259 |
| 57138 | 58 | 87262 | 295 | 102198 | 139, 140 |
| 57139 | 58 | 87269 | 298 | 102202 | 115, 210 |
| 57144 | 58 | 87270 | 299 | 102203 | 85, 116 |
| 57145 | 58 | 87278 | 298 | 102241 | 210, 215 |
| 57288 | 58 | 87283 | 296 | 102312 | 258, 259 |
| 57289 | 58 | 87309 | 213 | 102316 | 213 |
| 57290 | 58 | 87316 | 286 | 102338 | 203 |
| 85487 | 286 | 87456 | 210, 216 | 102348 | 211 |
| 85493 | 286 | 87474 | 129 | 102387 | 210, 220 |
| 85829 | 295 | 87483 | 210 | 102393 | 256 |
| 85839 | 296 | 87496 | 133 | 102394 | 256 |
| 85840 | 296 | 87499 | 210, 214 | 102395 | 265 |
| 85875 | 296 | 87523 | 213 | 102396 | 255, 259 |
| 85923 | 296 | 87568 | 127 | 102398 | 255, 256 |
| 85969 | 213 | 87572 | 126 | 102399 | 265 |
| 86016 | 213 | 87577 | 124, 125 | 102448 | 256 |
| 86147 | 294 | 87579 | 122, 123 | 102449 | 265 |
| 86177 | 216 | 87587 | 119, 120 | 102523 | 116 |
| 86181 | 285, 287, 288 | 87589 | 117, 118 | 102536 | 255, 259 |
| 86182 | 294 | 87605 | 85, 131 | 102537 | 255, 259 |
| 86207 | 296 | 87608 | 130 | 102540 | 255, 259 |
| 86286 | 169, 172, 175-177, 180, 182, 189, 191, 195-197, 214-218, 220, 256, 257 | 87623 | 163 | 102541 | 255, 259 |
| 86432 | 286 | 87631 | 210, 218, 219 | 102548 | 213 |
| 86434 | 286 | 87654 | 297 | 102557 | 149 |
| 86477 | 286 | 87655 | 297 | 102567 | 198 |
| 86479 | 98, 99 | 87666 | 213 | 102570 | 124, 125 |
| 86480 | 286 | 87667 | 213 | 102589 | 193, 200 |
| 86492 | 213 | 87710 | 218 | 102617 | 122, 123 |
| 87003 | 286 | 87733 | 219 | 102618 | 117, 118 |
| 87022 | 163 | 87743 | 204 | 102619 | 119, 120 |
| 87025 | 291 | 87756 | 210, 213 | 102620 | 127 |
| 87046 | 213 | 87772 | 286 | 102641 | 265 |
| 87077 | 214-218, 220, 256, 257 | 87774 | 286 | 102642 | 265 |
| 87105 | 286 | 87809 | 213 | 102666 | 199 |
| 87107 | 211 | 87878 | 163 | 102681 | 255, 259 |
| 87116 | 293 | 87879 | 85, 177 | 102690 | 193, 199 |
| 87124 | 207 | 87921 | 218 | 102691 | 199 |
| 87131 | 209 | 87922 | 218, 219 | 102692 | 198 |
| 87132 | 209 | 87977 | 210, 217 | 102693 | 257 |
| 87133 | 209 | 87983 | 287 | 102694 | 257 |
| 87159 | 293 | 87984 | 287 | 102695 | 257 |
| 87160 | 295 | 87985 | 287 | 102699 | 85, 148 |
| 87165 | 207 | 87986 | 287 | 102742 | 177 |
| 87175 | 208 | 87987 | 289 | 102766 | 142 |
| 87176 | 209 | 87988 | 289 | 102777 | 199 |
| 87179 | 208, 209 | 87989 | 287 | 102783 | 262, 263 |
| 87190 | 207 | 87990 | 287 | 102784 | 262, 263 |
| 87191 | 207 | 87993 | 287 | 102785 | 262, 263 |
| 87194 | 297 | 87995 | 289 | 102786 | 262, 263 |
| 87195 | 213 | 102055 | 126 | 102787 | 262, 263 |
| 87215 | 96, 97 | 102090 | 292 | 102788 | 262, 263 |
| 87220 | 85, 93 | 102095 | 211 | 102789 | 263 |
| 87224 | 93 | 102099 | 290 | 102791 | 264 |
| | | 102100 | 290 | 102792 | 264 |
| | | 102102 | 290 | 102802 | 200 |
| | | 102103 | 290 | 102823 | 259 |

Part Number Index (Continued)

| Part No. | Page | Part No. | Page | Part No. | Page | Part No. | Page |
|----------|------------------------|----------|----------|----------|---------------|----------|--------------|
| 102826 | 144 | 103639 | 245 | 103960 | 231 | 104895 | 19 |
| 102871 | 143 | 103640 | 231 | 103961 | 231 | 104905 | 208 |
| 102898 | 146 | 103641 | 231 | 103968 | 233 | 104909 | 245 |
| 102903 | 263 | 103644 | 231 | 103969 | 233 | 104910 | 245 |
| 102917 | 213 | 103645 | 231 | 103970 | 233 | 104935 | 247 |
| 102918 | 213 | 103648 | 233 | 103971 | 233 | 111196 | 56 |
| 102920 | 213 | 103649 | 233 | 103972 | 233 | 146079 | 163 |
| 102935 | 280 | 103650 | 233 | 103973 | 233 | 146128 | 109 |
| 102972 | 107 | 103651 | 233 | 103974 | 229 | 146129 | 109 |
| 102973 | 107 | 103652 | 233 | 103975 | 229 | 146130 | 110 |
| 102976 | 107 | 103653 | 237 | 103976 | 229 | 146131 | 110 |
| 102977 | 107 | 103654 | 239 | 103977 | 229 | 146132 | 86, 109 |
| 102985 | 263 | 103655 | 239 | 103978 | 229 | 146133 | 109 |
| 102987 | 261, 263 | 103656 | 239 | 103979 | 229 | 146134 | 86, 110 |
| 102988 | 261, 263 | 103657 | 239 | 104068 | 30 | 146135 | 110 |
| 102991 | 264 | 103658 | 237 | 104069 | 29 | 146138 | 178 |
| 103056 | 281 | 103659 | 237 | 104071 | 28 | 146205 | 202 |
| 103058 | 281 | 103660 | 237 | 104074 | 27 | 146250 | 104, 107 |
| 103080 | 115 | 103661 | 237 | 104076 | 31 | 146252 | 104, 107 |
| 103136 | 261, 263 | 103669 | 245 | 104078 | 40 | 146253 | 104, 107 |
| 103137 | 261, 263 | 103672 | 247 | 104118 | 34 | 146254 | 104, 107 |
| 103138 | 262, 263 | 103673 | 247 | 104178 | 33 | 146256 | 104, 107 |
| 103139 | 262, 263 | 103680 | 240 | 104186 | 32 | 146257 | 85, 104, 107 |
| 103140 | 262, 263 | 103681 | 241 | 104192 | 38 | 146258 | 104 |
| 103141 | 262, 263 | 103682 | 242 | 104196 | 37 | 146260 | 104 |
| 103152 | 261, 263 | 103684 | 229 | 104257 | 221, 231 | 146261 | 104 |
| 103153 | 261, 263 | 103685 | 229 | 104271 | 261, 263 | 146262 | 104 |
| 103157 | 261, 263 | 103686 | 229 | 104272 | 261, 263 | 146264 | 104 |
| 103158 | 261, 263 | 103687 | 229 | 104317 | 121 | 146265 | 104 |
| 103164 | 85, 126 | 103688 | 221, 229 | 104319 | 128 | 146266 | 104 |
| 103165 | 127 | 103734 | 231 | 104361 | 250 | 146268 | 85, 104 |
| 103166 | 85, 122, 123, 210, 255 | 103735 | 245 | 104362 | 245 | 146269 | 104 |
| 103167 | 124, 125 | 103817 | 86, 100 | 104363 | 245 | 146270 | 104 |
| 103168 | 85, 117, 118, 210, 255 | 103893 | 237 | 104438 | 234 | 146272 | 104 |
| 103169 | 119, 120 | 103894 | 237 | 104439 | 234 | 146273 | 104 |
| 103171 | 213 | 103895 | 239 | 104450 | 221, 248 | 146274 | 102, 107 |
| 103185 | 107 | 103896 | 239 | 104477 | 29 | 146276 | 102, 107 |
| 103186 | 107 | 103897 | 231 | 104479 | 221, 222, 253 | 146277 | 102, 107 |
| 103233 | 147 | 103900 | 233 | 104480 | 221, 222, 253 | 146278 | 102, 107 |
| 103239 | 107 | 103901 | 233 | 104481 | 221, 222, 253 | 146280 | 102, 107 |
| 103240 | 107 | 103902 | 229 | 104482 | 221, 223 | 146281 | 85, 102, 107 |
| 103264 | 193, 201 | 103903 | 229 | 104483 | 224 | 146282 | 102 |
| 103268 | 259 | 103904 | 247 | 104500 | 241 | 146284 | 102 |
| 103291 | 199 | 103908 | 245 | 104503 | 239 | 146285 | 102 |
| 103321 | 107 | 103911 | 39 | 104505 | 254 | 146286 | 102 |
| 103322 | 107 | 103916 | 35 | 104506 | 254 | 146288 | 102 |
| 103327 | 107 | 103944 | 237 | 104549 | 44 | 146289 | 102 |
| 103328 | 107 | 103945 | 237 | 104550 | 45 | 146290 | 102 |
| 103336 | 85, 146 | 103946 | 237 | 104583 | 282 | 146292 | 102 |
| 103340 | 261, 263 | 103947 | 237 | 104584 | 282 | 146293 | 85, 102 |
| 103341 | 261, 263 | 103948 | 237 | 104652 | 15 | 146294 | 102 |
| 103349 | 281 | 103949 | 237 | 104655 | 16 | 146296 | 102 |
| 103350 | 281 | 103950 | 239 | 104656 | 16 | 146297 | 102 |
| 103361 | 116 | 103951 | 239 | 104666 | 30 | 146304 | 85, 103 |
| 103414 | 85, 115 | 103952 | 239 | 104693 | 16 | 146305 | 103 |
| 103455 | 213 | 103953 | 239 | 104744 | 40 | 146306 | 85, 103 |
| 103542 | 85, 147 | 103954 | 239 | 104804 | 28 | 146307 | 103 |
| 103577 | 85, 163 | 103955 | 239 | 104809 | 249 | 146308 | 85, 105 |
| 103634 | 247 | 103956 | 231 | 104891 | 22 | 146309 | 105 |
| 103635 | 247 | 103957 | 231 | 104892 | 21 | 146310 | 105 |
| | | 103958 | 231 | 104893 | 21 | 146311 | 105 |
| | | 103959 | 231 | 104894 | 19 | 146315 | 202 |

Part Number Index (Continued)

| Part No. | Page | Part No. | Page | Part No. | Page | Part No. | Page |
|----------|---------|----------|----------|----------|--------------------|----------|---------------|
| 146386 | 175 | 146852 | 107 | 147740 | 192 | 1375582 | 252 |
| 146427 | 85 | 146853 | 107 | 147741 | 192 | 1375583 | 252 |
| 146455 | 112 | 146858 | 107 | 147742 | 187 | 1375791 | 7, 12 |
| 146456 | 112 | 146859 | 107 | 147743 | 187 | 1375792 | 7 |
| 146457 | 112 | 146860 | 107 | 147744 | 187 | 1375793 | 7, 12 |
| 146458 | 112 | 146861 | 107 | 147745 | 190 | 1375794 | 7 |
| 146459 | 112 | 146868 | 107 | 147746 | 190 | 1375795 | 6, 12 |
| 146460 | 112 | 146869 | 107 | 147747 | 190 | 1375796 | 6 |
| 146461 | 112 | 146870 | 107 | 173144 | 155, 156 | 1375797 | 9 |
| 146462 | 112 | 146871 | 107 | 173145 | 155, 157, 158, 159 | 1375798 | 9 |
| 146463 | 112 | 147030 | 235 | 173146 | 155, 160, 161 | 1375799 | 8 |
| 146464 | 112 | 147070 | 86, 167 | 219054 | 58 | 1375800 | 8 |
| 146465 | 112 | 147071 | 167 | 219055 | 58 | 1375801 | 12 |
| 146466 | 112 | 147072 | 167 | 219137 | 58 | 1375959 | 10 |
| 146467 | 112 | 147095 | 183, 184 | 219138 | 58 | 1375961 | 10 |
| 146468 | 112 | 147096 | 183, 184 | 219253 | 58 | 1375963 | 10 |
| 146469 | 112 | 147099 | 182 | 382575 | 309 | 1375965 | 11 |
| 146470 | 112 | 147100 | 182 | 382811 | 308 | 1375967 | 11 |
| 146471 | 112 | 147101 | 190 | 390088 | 309 | 1445251 | 12 |
| 146472 | 112 | 147102 | 190 | 390102 | 310 | 1445439 | 12 |
| 146473 | 112 | 147103 | 190 | 487544 | 50 | 1445440 | 12 |
| 146474 | 86, 112 | 147104 | 192 | 487545 | 50 | 1445441 | 12 |
| 146475 | 112 | 147105 | 86, 192 | 487547 | 48 | 1470108 | 79 |
| 146476 | 112 | 147106 | 192 | 487576 | 54 | 1470109 | 78 |
| 146477 | 112 | 147121 | 16 | 487923 | 48 | 1470209 | 80 |
| 146478 | 112 | 147254 | 202 | 487937 | 52 | 1470213 | 66 |
| 146479 | 112 | 147278 | 251 | 487938 | 52 | 1734493 | 75 |
| 146480 | 112 | 147323 | 251 | 487940 | 48 | 1734506 | 81 |
| 146481 | 112 | 147324 | 251 | 487941 | 48 | 1734507 | 67 |
| 146482 | 112 | 147326 | 177 | 499991 | 205 | 1734508 | 66 |
| 146483 | 113 | 147333 | 86, 165 | 530153 | 310 | 1734516 | 84 |
| 146484 | 113 | 147334 | 165 | 530554 | 267 | 1734531 | 83 |
| 146485 | 113 | 147335 | 165 | 530901 | 269 | 1734569 | 77 |
| 146486 | 113 | 147377 | 44 | 530902 | 268 | 1734606 | 82 |
| 146487 | 113 | 147378 | 45 | 531226 | 267, 268 | 1734770 | 73 |
| 146488 | 113 | 147381 | 16 | 531230 | 308 | 1825190 | 307 |
| 146489 | 113 | 147382 | 16 | 532955 | 195 | 1825851 | 139, 140, 210 |
| 146490 | 85, 113 | 147383 | 16 | 532956 | 193, 195 | 2041068 | 76 |
| 146491 | 113 | 147384 | 15 | 533009 | 195 | 2041069 | 84 |
| 146492 | 113 | 147396 | 235 | 534204 | 195 | 5084476 | 71 |
| 146493 | 113 | 147413 | 15 | 534206 | 85, 176 | 5084780 | 74 |
| 146494 | 113 | 147424 | 176 | 534237 | 85, 175 | 5086147 | 294 |
| 146495 | 113 | 147433 | 165 | 534245 | 200 | 5086182 | 294 |
| 146496 | 113 | 147434 | 165 | 534257 | 198 | 5102084 | 170 |
| 146497 | 113 | 147435 | 165 | 534258 | 201 | 5102154 | 139, 210, 255 |
| 146498 | 113 | 147436 | 167 | 534267 | 85, 182 | 5102156 | 139 |
| 146499 | 113 | 147437 | 167 | 534972 | 193, 196 | 5102160 | 140 |
| 146500 | 113 | 147438 | 167 | 534974 | 193, 197 | 5102162 | 140 |
| 146501 | 113 | 147503 | 16 | 534975 | 195 | 5103308 | 135 |
| 146502 | 113 | 147720 | 86, 181 | 534978 | 198 | 5103309 | 135 |
| 146503 | 113 | 147723 | 188 | 534998 | 85, 179, 180 | 5103310 | 136 |
| 146504 | 113 | 147724 | 187 | 535541 | 85, 178 | 5103311 | 136 |
| 146505 | 113 | 147726 | 181 | 535542 | 86, 183, 184 | 5104338 | 137 |
| 146506 | 113 | 147727 | 181 | 535584 | 178 | 5104340 | 138 |
| 146507 | 113 | 147728 | 188 | 535585 | 179, 180 | 5111595 | 57 |
| 146508 | 113 | 147729 | 188 | 535598 | 179, 180 | 5146139 | 169 |
| 146509 | 113 | 147730 | 187 | 746383 | 139, 140 | 5146140 | 170 |
| 146510 | 113 | 147731 | 187 | 867052 | 207 | 5147721 | 86, 172 |
| 146762 | 176 | 147736 | 188 | 880584 | 309 | 5147722 | 86, 173 |
| 146763 | 175 | 147737 | 188 | 881545 | 309 | 5147732 | 172 |
| 146850 | 107 | 147738 | 86, 188 | 966926 | 72 | 5147733 | 172 |
| 146851 | 107 | 147739 | 192 | 1375549 | 252 | 5147734 | 173 |

Part Number Index (Continued)

| Part No. | Page | Part No. | Page | Part No. | Page | Part No. | Page |
|----------|------|----------|------|----------|------|----------|---------|
| 5147735 | 173 | 5178751 | 70 | 5531216 | 269 | 5535512 | 85, 170 |
| 5176264 | 70 | 5530553 | 269 | 5531224 | 269 | 5535676 | 85, 169 |
| 5176837 | 68 | 5530901 | 269 | 5531225 | 269 | 5535677 | 169 |

Tooling Part Number Index

Note: This index lists all cataloged parts by base no. only. Complete part nos. (with prefixes and/or suffixes) are shown on the page(s) indicated.

| Part No. | Page | Part No. | Page | Part No. | Page |
|----------|----------|----------|--------------------|----------|-----------------------------------|
| 58062 | 273 | 104072 | 253 | 527116 | 263 |
| 58074 | 273 | 217600 | 153, 164, 166, 303 | 543518 | 23 |
| 58075 | 273 | 224910 | 48, 60 | 547178 | 301 |
| 58336 | 273 | 265871 | 152 | 565967 | 286 |
| 58338 | 273 | 265964 | 152 | 567239 | 254 |
| 58342 | 254 | 308554 | 152 | 567296 | 222, 253 |
| 58395 | 273 | 312522 | 274 | 567297 | 222, 253 |
| 58540 | 273 | 318619 | 48, 60 | 567298 | 222, 253 |
| 58641 | 211, 213 | 354500 | 300 | 567307 | 211 |
| 90273 | 60 | 354786 | 275 | 567310 | 207 |
| 90274 | 290 | 356484 | 60 | 662820 | 303 |
| 90295 | 207 | 356500 | 300 | 679167 | 62 |
| 90308 | 298 | 380392 | 152 | 679996 | 207 |
| 90328 | 290 | 466007 | 298 | 758030 | 162 |
| 90381 | 211 | 466376 | 286 | 761420 | 275 |
| 90431 | 207 | 466562 | 213 | 768338 | 62 |
| 91047 | 60 | 466571 | 213 | 812665 | 263 |
| 91084 | 207 | 466655 | 213 | 843473 | 290 |
| 91085 | 62 | 466721 | 207 | 843477 | 253, 254, 265 |
| 91104 | 298 | 466723 | 269 | 843996 | 214, 215, 216, 217, 218, 219, 220 |
| 91112 | 62 | 466763 | 290 | 854040 | 301 |
| 91169 | 152 | 466764 | 290 | 854449 | 274 |
| 91170 | 152 | 466812 | 211 | 856002 | 274 |
| 91171 | 152 | 466819 | 269 | 856675 | 273 |
| 91200 | 60 | 466905 | 213 | 904507 | 163 |
| 91295 | 23 | 466918 | 213 | 904590 | 163 |
| 91410 | 263 | 466921 | 213 | 904591 | 163 |
| 91419 | 163 | 466937 | 290 | 904592 | 163 |
| 91516 | 213 | 466943 | 269 | 904640 | 166 |
| 91517 | 211, 213 | 466950 | 298 | 904641 | 164 |
| 91518 | 222, 253 | 466952 | 269 | 907459 | 162 |
| 91531 | 254 | 466980 | 222, 253 | 931800 | 273 |
| 91533 | 207 | 466981 | 222, 253 | 1213400 | 300 |
| 91541 | 213 | 466982 | 222, 253 | | |
| 91551 | 222, 253 | 466983 | 254 | | |

Engineering Notes



Engineering Notes



Americas

Argentina – Buenos Aires
Phone: +54-11-4733-2200
Fax: +54-11-4733-2211

Brasil – São Paulo
Phone: +55-11-2103-6000
Fax: +55-11-2103-6030

Chile – Santiago
Phone: +56-2-345-0361
Fax: +56-2-223-1477

Canada – Toronto
Phone: +905-475-6222
Fax: +905-474-5520
Product Information Center:
Phone: +905-470-4425
Fax: +905-474-5525

Colombia – Bogota
Phone: +57-1-319-8959
Fax: +57-1-319-8960

Mexico – Mexico City
Phone: +52-55-1106-0800
Fax: +01-800-733-8926
Fax: +52-55-1106-0901

For Latin/South American Countries not shown
Phone: +54-11-4733-2015
Fax: +54-11-4733-2083

United States
Harrisburg, PA
Phone: +1-717-564-0100
Fax: +1-717-986-7575
Product Information Center:
Phone: +1-800-522-6752
Fax: +1-717-986-7575
Troy, MI
Phone: +1-248-273-3359
Fax: +1-248-273-3322

Asia/Pacific

Australia – Sydney
Phone: +61-2-9554-2600
Fax: +61-2-9502-2556
Product Information Center:
Phone: +61-2-9840-8200
Fax: +61-2-9634-6188

India – Bangalore
Phone: +91-80-285-40800
Fax: +91-80-285-40820

Indonesia – Jakarta
Phone: +65-6482-0311
Fax: +65-6482-1012

Japan – Kawasaki, Kanagawa
Phone: +81-44-844-8111
Fax: +81-44-812-3207
Product Information Center:
Phone: +81-44-844-8013
Fax: +81-44-812-3200

Korea – Seoul
Phone: +82-2-3415-4500
Fax: +82-2-3486-3810

Malaysia – Selangor
Phone: +60-3-7805-3055
Fax: +60-3-7805-3066

New Zealand – Auckland
Phone: +64-9-634-4580
Fax: +64-9-634-4586

Philippines – Makati City
Phone: +632-848-0171
Fax: +632-867-8661

People's Republic of China
Hong Kong
Phone: +852-2735-1628
Fax: +852-2735-0243
Shanghai
Phone: +86-21-2407-1588
Fax: +86-21-2407-1599

Singapore – Singapore
Phone: +65-6482-0311
Fax: +65-6482-1012

Taiwan – Taipei
Phone: +886-2-8768-2788
Fax: +886-2-8768-2268

Thailand – Bangkok
Phone: +66-2-955-0500
Fax: +66-2-955-0505

Vietnam – Ho Chi Minh City
Phone: +84-8-930-5546
Fax: +84-8-930-3443

Europe/Middle East/Africa

Austria – Vienna
Phone: +43-1-905-60-0
Fax: +43-1-905-60-1333
Product Information Center:
Phone: +43-1-905-60-1249
Fax: +43-1-905-60-1251

Belarus – Minsk
Phone: +375 17 237 47 94
Fax: +375 17 237 47 94

Belgium – Kessel-Lo
Phone: +32-16-352-300
Fax: +32-16-352-355

Bulgaria – Sofia
Phone: +359-2-971-2152
Fax: +359-2-971-2153

Czech Republic and Slovakia
Czech Republic – Kurim
Phone: +420-541-162-111
Fax: +420-541-162-223
Product Information Center:
Phone: +420-541-162-113
Fax: +420-541-162-132

Denmark – Glostrup
Phone: +45-43-48-04-00
Fax: +45-43-44-14-14

Egypt – Cairo
Phone: +202-419-2334
Fax: +202-417-7647

Estonia – Tartu
Phone: +372-5138-274
Fax: +372-7400-779

Finland – Helsinki
Phone: +358-95-12-34-20
Fax: +358-95-12-34-250

France – Cergy-Pontoise Cedex
Phone: +33-1-3420-8888
Fax: +33-1-3420-8600
Product Information Center:
Phone: +33-1-3420-8686
Fax: +33-1-3420-8623

France Export Divisions –
Cergy-Pontoise Cedex
Phone: +33-1-3420-8804
Fax: +33-1-3420-8699

Germany – Bensheim
Phone: +49-6251-133-0
Fax: +49-6251-133-1600
Product Information Center:
Phone: +49-6251-133-1999
Fax: +49-6251-133-1988

Greece – Athens
Phone: +30-210-9370-396/397
Fax: +30-210-9370-655

Hungary – Budapest
Phone: +36-1-289-1000
Fax: +36-1-289-1010
Product Information Center:
Phone: +36-1-289-1016
Fax: +36-1-289-1017

Ireland – Dublin
Phone: +353-1-866-5612
Fax: +353-1-866-5714

Israel – Petach-Tikva
Phone: +972-3-929-0999
Fax: +972-3-919-1088

Italy – Collegno (Torino)
Phone: +39-011-4012-111
Fax: +39-011-4031-116
Product Information Center:
Phone: +39-011-4012-428
Fax: +39-011-40-287-428

Lithuania and Latvia
Lithuania – Vilnius
Phone: +370-5-213-1402
Fax: +370-5-213-1403
Product Information Center:
Phone: +370-5-211-3016
Fax: +370-5-213-1403

Netherlands – 's-Hertogenbosch
Phone: +31-73-6246-246
Fax: +31-73-6212-365
Product Information Center:
Phone: +31-73-6246-999
Fax: +31-73-6246-998

Norway – Nesbru
Phone: +47-66-77-88-50
Fax: +47-66-77-88-55

Poland – Warsaw
Phone: +48-22-4576-700
Fax: +48-22-4576-720
Product Information Center:
Phone: +48-22-4576-704
Fax: +48-22-4576-720

Romania – Bucharest
Phone: +40-21-311-3479/3596
Fax: +40-21-312-0574

Russia – Moscow
Phone: +7-495-790-7902
Fax: +7-495-721-1893
Product Information Center:
Phone: +7-495-790-7902-404
Fax: +7-495-790-7902-401

Russia – St. Petersburg
Phone: +7-812-718-8192
Fax: +7-812-718-8193

Slovenia – Ljubljana
Phone: +386-1561-3270
Fax: +386-1561-3240

South Africa – Port Elizabeth
Phone: +27-41-503-4500
Fax: +27-41-581-0440

Spain – Barcelona
Phone: +34-93-291-0330
Fax: +34-93-201-7879

Sweden – Upplands Väsby
Phone: +46-8-50-72-50-00
Fax: +46-8-50-72-50-01

Switzerland – Steinach
Phone: +41-71-447-0447
Fax: +41-71-447-0444

Turkey – Istanbul
Phone: +90-212-281-8181/2/3
+90-212-282-5130/5430
Fax: +90-212-281-8184

Ukraine – Kiev
Phone: +380-44-206-2265
Fax: +380-44-206-2264
Product Information Center:
Phone: +380-44-206-2265
Fax: +380-44-206-2264

United Kingdom – Stanmore, Middlesex
Phone: +44-8706-080208
Fax: +44-208-954-6234
Product Information Center:
Freephone (UK only):
0800-267-666
Phone: +44-8706-080208
Fax: +44-208-420-8095

Tyco Electronics Corporation
Harrisburg, PA

tycoelectronics.com

1307819-7.5M-LUG-FP-8-08



Mouser Electronics

Authorized Distributor

Click to View Pricing, Inventory, Delivery & Lifecycle Information:

[TE Connectivity:](#)

[5086147-1](#)