

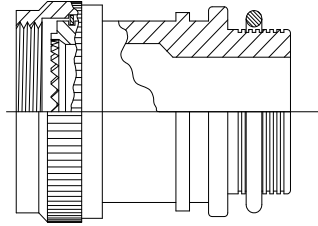
# CUSTOMER DRAWING

## KIT COMPONENTS:

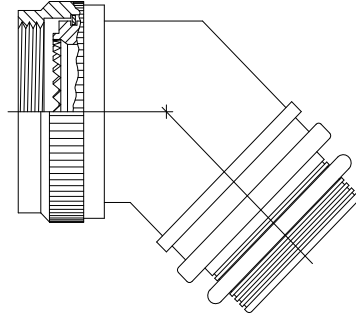
A standard kit shall contain 1 piece each: Adapter, Boot, SolderShield® Splice, Atum tubing (Kit description ends in "A" only)

1. ADAPTER (STRAIGHT, 45 OR 95 DEGREE). Refer to TXR (XX) Adapter drawings for details where (XX) = Adapter Code.

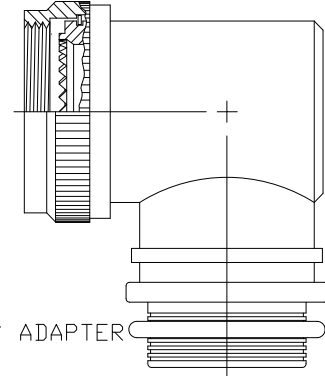
Available Adapter Codes (XX): 15, 18, 21, 30, 32, 40, 41, 54, 61



STRAIGHT ADAPTER

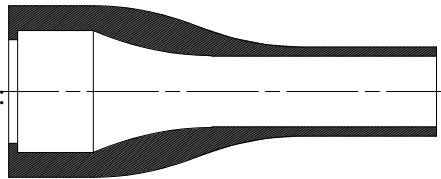


45° ADAPTER

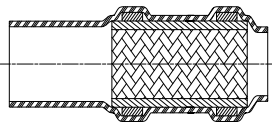


90° ADAPTER

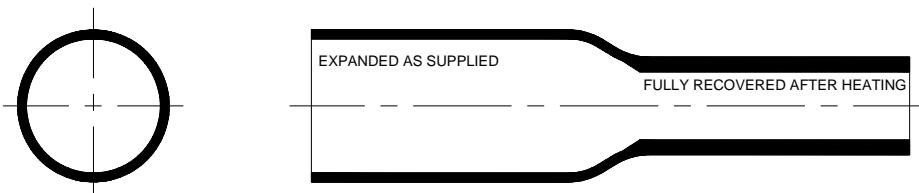
2. MOLDED BOOTS. Available Sizes: 13, 23, 34, 44, 56, 67.



3. SolderShield® SPLICES. Available Sizes: 00, 04, 05, 06, 07, 08, 09, 10, 11, 12, 13, 14, 16. Use code 00 when a non-pre-braided adapter is used. (Pre-Braided Code - 0).



4. SHIM TUBING. (KIT DESCRIPTIONS END WITH LETTER "A" ONLY)



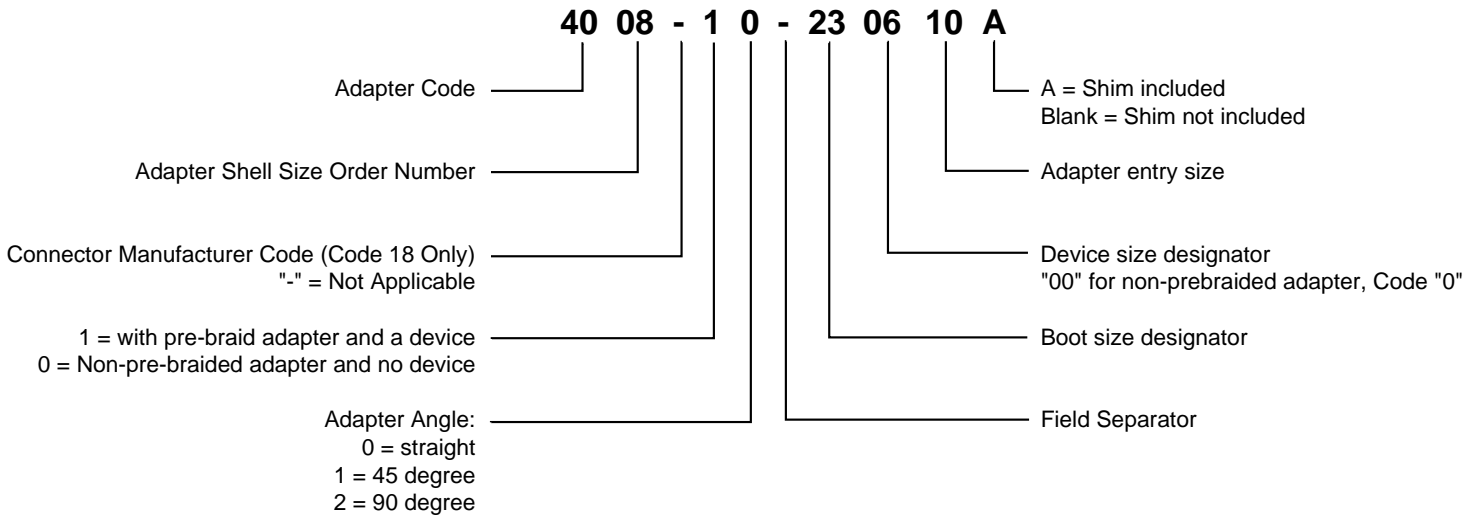
<b>TE Connectivity</b>			<b>TITLE: T-FIT ADAPTER AND MOLDED BOOT KITS</b>		
Unless otherwise specified dimensions are in inches. [Metric dimensions are shown in brackets]		Raychem Devices	<b>DOCUMENT NO.: T-FIT-2-12X</b>		
<b>TOLERANCES:</b> 0.00 ± 0.02 MM 0.0 ± 0.2 MM 0 ± 0.5 MM	<b>ANGLES:</b> ± 0°30'  <b>ROUGHNESS</b> IN MICRON	Tyco Electronics Corporation reserves the right to amend this drawing at any time. Users should evaluate the suitability of the product for their application.	<b>REV:</b>  <b>AN</b>	<b>REV DATE:</b>  January 18, 2018	
<b>PREPARED BY:</b> YNGUYEN	<b>CAGE CODE:</b> 06090		<b>ECO NUMBER:</b> ECO-18-000887	<b>SCALE:</b>  NTS	<b>SIZE:</b>  A

© 2007-2018 TE Connectivity Corp. All Rights Reserved.

If this document is printed it becomes uncontrolled. Check for the latest revision.

# CUSTOMER DRAWING

## ADAPTER PART NUMBER KEY



Unless otherwise specified dimensions are in millimeters.  
(Inches dimensions are shown in brackets)

DOCUMENT NO.: <b>T-FIT-2-12X</b>	REV: AN	ECO NUMBER: ECO-18-000887	DATE: 18-Jan-2018	SHEET: 2 of 2
-------------------------------------	------------	------------------------------	----------------------	------------------

If this document is printed it becomes uncontrolled. Check for the latest revision.

# Mouser Electronics

Authorized Distributor

Click to View Pricing, Inventory, Delivery & Lifecycle Information:

[TE Connectivity:](#)

[6118-10-441116-CS2359](#)