

REVISIONS				
P	LTR	DESCRIPTION	DATE	APVD
	D	REVISED PER ECN-22-142121	08APR2022	LN JM

NOTES:

- THIS INSERT IS DESIGNED FOR USE IN TYCO ELECTRONICS CONNECTOR HOUSING MTC100-XH2-XXX AND MTC100Q-XH2-XXX.
- PART DESCRIBED HEREON IS SUPPLIED AS SHOWN. IF CONTACTS, SEALING PLUGS, AND TOOLS ARE DESIRED, THE FOLLOWING MODIFICATION NUMBER IS TO BE ADDED TO THE PART NUMBER ON THE KIT PACKAGING LABEL ONLY:

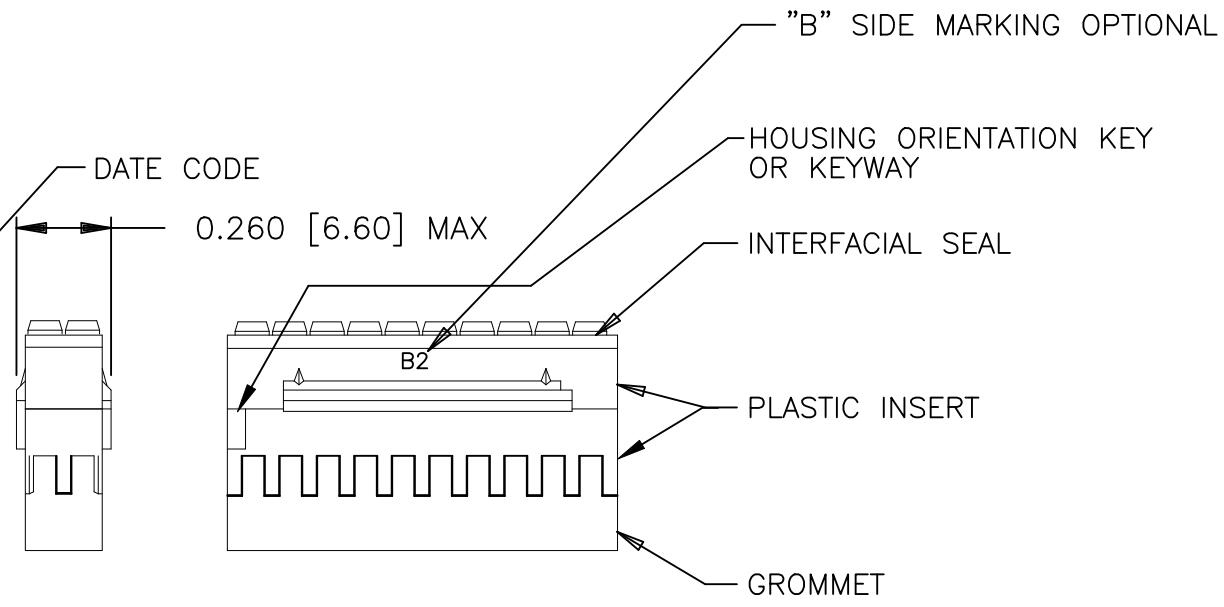
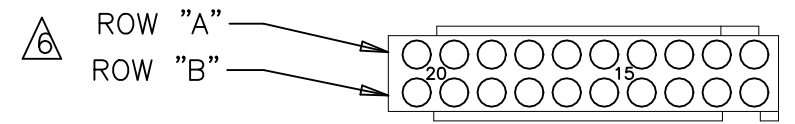
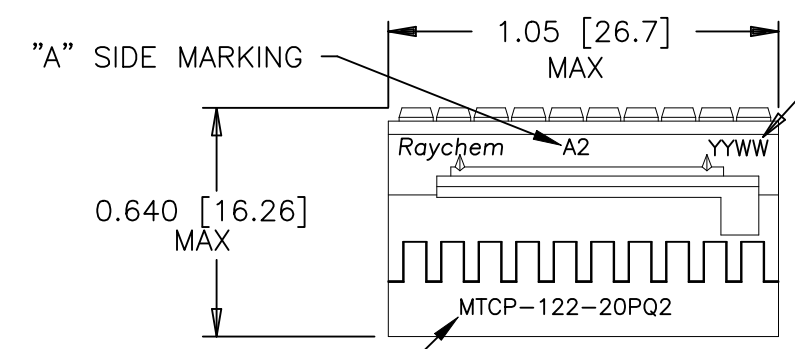
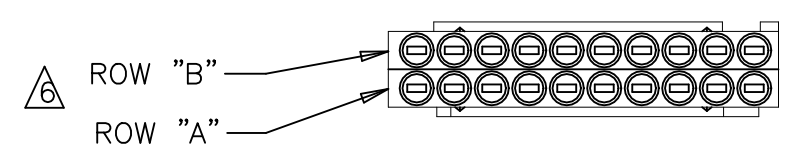
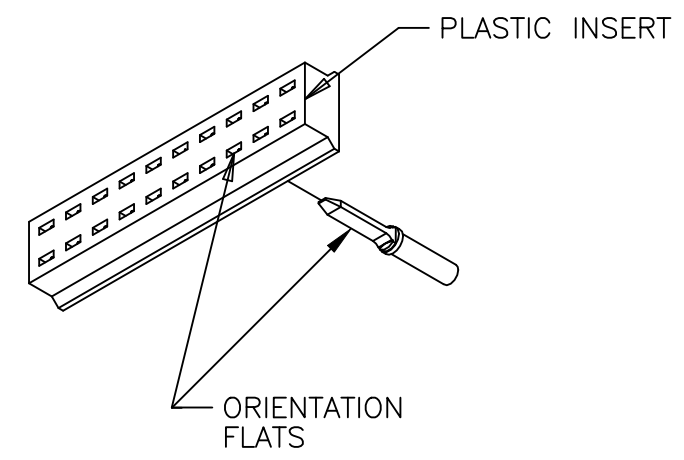
MOD NO.	DESCRIPTION
022	WITH CONTACTS AND SEALING PLUGS
023	WITH CONTACTS, SEALING PLUGS AND TOOL

REFERENCE TYCO ELECTRONICS INFORMATION DRAWING D-659-0097 FOR CRIMP TOOLS OR ADDITIONAL CONTACTS, SEALING PLUGS OR TOOLS.

- GROMMET DESIGNED TO SEAL ON WIRES HAVING AN INSULATION DIAMETER OF 0.030 TO 0.065.
- PERFORMANCE:  
THIS PRODUCT MEETS THE REQUIREMENTS OF TYCO ELECTRONICS SPECIFICATION C-6114.

- MATERIALS:
  - A) PLASTIC INSERT HIGH GRADE POLYARYLENE THERMOPLASTIC
  - B) GROMMET FLUOROSILICONE PER MIL-DLT-25988
  - C) INTERFACIAL SEAL FLUOROSILICONE PER MIL-DLT-25988
  - D) RETENTION CLIPS (20) (INSIDE PLASTIC INSERT) BERYLLIUM COPPER 172 PER QQ-C-533 OR 301 STAINLESS STEEL PER TEC-100-309 SPECIAL TEMPER

△ ROWS "A" AND "B" ARE AN INTEGRAL PART OF THE INSERT. ROWS "A" AND "B" ARE IDENTIFIED ON THE SIDE OF THE INSERT AS "A2" AND "B2". "B" SIDE MARKING OPTIONAL.



THIS DRAWING IS A CONTROLLED DOCUMENT.		DWN DCP 21JUN1996	TE Connectivity	
DIMENSIONS: INCHES		CHK -		
TOLERANCES UNLESS OTHERWISE SPECIFIED:		APVD M.HIGGY 25JUL1996	NAME	
0 PLC ± - 1 PLC ± - 2 PLC ± - 3 PLC ± - 4 PLC ± - ANGLES ± -		PRODUCT SPEC -	INSERT, PIN, SECONDARY, 20CAVITY, SIZE 20-22 REMOVABLE CONTACT, 2-IN CONN MTC100SERIES	
MATERIAL -		FINISH -	SIZE A3	CAGE CODE 00779
		WEIGHT 0.0045 lbs	DRAWING NO. C-MTCP-122-20PQ2	
		CUSTOMER DRAWING		RESTRICTED TO -
		SCALE 1:1	SHEET 1 OF 1	REV D

# Mouser Electronics

Authorized Distributor

Click to View Pricing, Inventory, Delivery & Lifecycle Information:

[TE Connectivity:](#)

[MTCP-122-20PQ2](#)