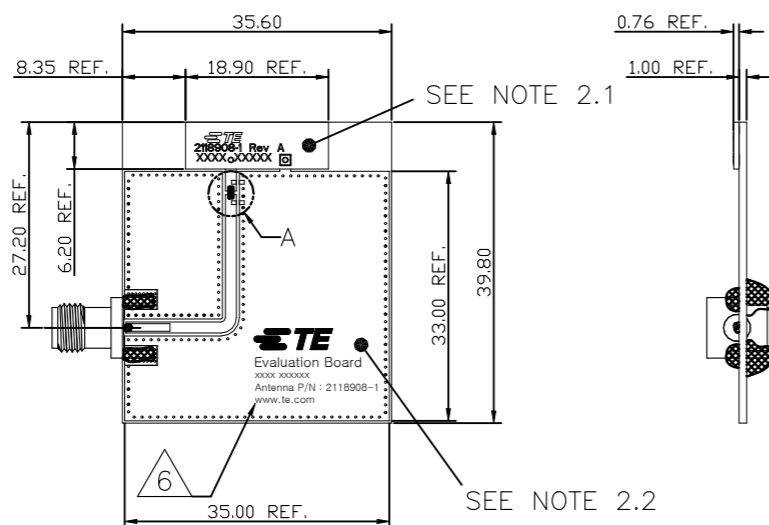


REVISIONS

P	LTR	DESCRIPTION	DATE	DWN	APVD
	A1	REVISED PER ECN-23-230183	07SEP2023	DW	JH



NOTE : UNLESS OTHERWISE SPECIFIED

- 1. FABRICATE TO MEET IPC – 6012, CLASS 2. INSPECT TO MEET IPC – A – 600, CLASS 2.

2. MATERIALS

- 2.1. ANTENNA MATERIAL : FR4 PCB, OVERALL THICKNESS 0.76±0.10mm
- 2.2. EVB MATERIAL : FR4 PCB, OVERALL THICKNESS 1.00mm
- 2.3. SMA(FEMALE) PANEL TYPE CONN. : 50 OHMS(IMPEDANCE)
- 2.4. MEASURED WITH MATCHING CIRCUIT CONDITIONS.

3. GENERAL TOLERANCES : ±0.20

4. PACKAGING : SEE SHEET2

5. CONSULT TE CONNECTIVITY DATA SHEET DS2118908

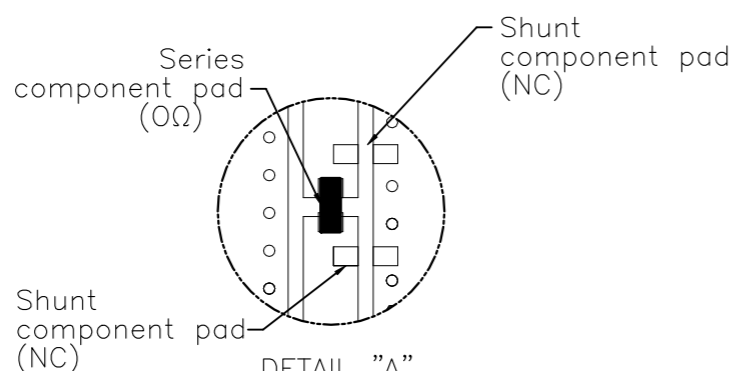
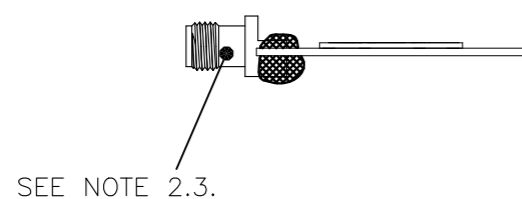
6. SILKSCREEN : WITHE EPOXY INK.

A: TE LOGO, TE P/N

B: WORD REV., FOLLOWED BY THE LASTEST REVISION LETTER. AS SHOWN.

C: 4 DIGITS DATE CODE: FIRST 2 DIGITS FOR THE WEEK CODE AND THE 2 DIGITS FOR THE YEAR CODE.

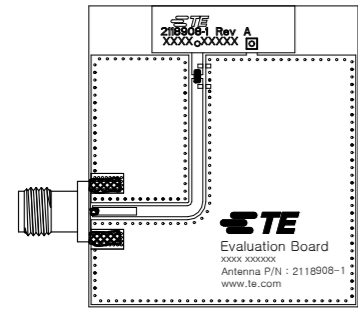
OTHERS: SPECIFIC TE INTERNAL USE ONLY.



DETAIL "A"
SCALE 5:1
SEE NOTE 2.4.

THIS DRAWING IS A CONTROLLED DOCUMENT.		DWN DW.PARK	10SEP2021	STE TE Connectivity	
DIMENSIONS: mm		CHK H.SHIN	10SEP2021		
TOLERANCES UNLESS OTHERWISE SPECIFIED:		APVD CY.PARK	10SEP2021	NAME 2118908-1 ANTENNA WITH EVB ASSY	
0 PLC ± -		PRODUCT SPEC	-	-	
1 PLC ± -		APPLICATION SPEC	-	-	
2 PLC ± -		SIZE	A3	CAGE CODE	00779
3 PLC ± -		DRAWING NO	C-8-2118908		RESTRICTED TO
4 PLC ± -		WEIGHT	-		-
ANGLES ± -		CUSTOMER DRAWING			
FINISH		SCALE 1:1			
-		SHEET 1 OF 2			
-		REV A1			

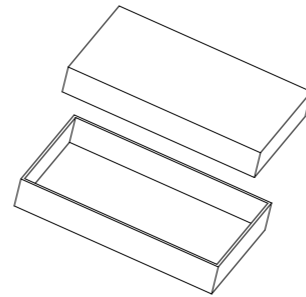
REVISIONS					
P	LTR	DESCRIPTION	DATE	DWN	APVD
-	-	SEE SHEET 1	-	-	-



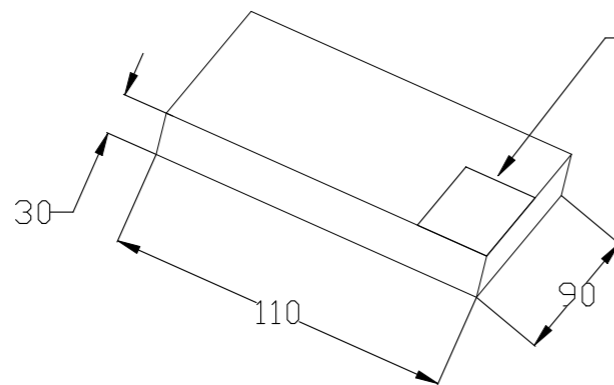
8-2118908-1



BUFFER SPONGE

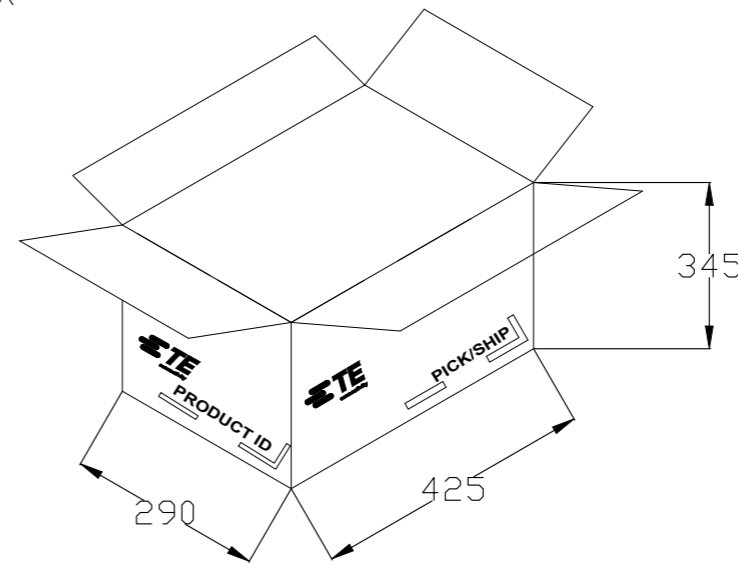


INDIVIDUAL BOX

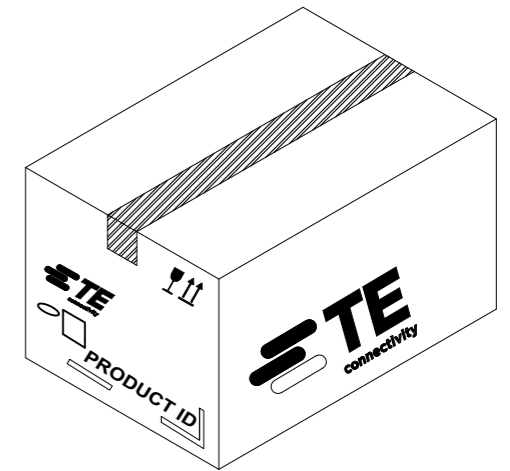


1 PC / 1 Individual Box

Individual box Label



100 PCS Individual Box / 1 Carton Box



THIS DRAWING IS A CONTROLLED DOCUMENT.		DWN DW.PARK	10SEP2021	TE TE Connectivity		
DIMENSIONS: mm		CHK H.SHIN	10SEP2021			
TOLERANCES UNLESS OTHERWISE SPECIFIED:		APVD CY.PARK	10SEP2021	NAME 2118908-1 ANTENNA WITH EVB ASSY		
0 PLC ± -		PRODUCT SPEC		-		
1 PLC ± -		APPLICATION SPEC		-		
2 PLC ± -		SIZE	CAGE CODE	DRAWING NO	RESTRICTED TO	
3 PLC ± -		A3 00779		C-8-2118908		-
4 PLC ± -		CUSTOMER DRAWING		SCALE	SHEET	REV
ANGLES ± -		-		1:1	2 OF 2	A1
FINISH		-				
MATERIAL		-				

Mouser Electronics

Authorized Distributor

Click to View Pricing, Inventory, Delivery & Lifecycle Information:

[TE Connectivity:](#)

[8-2118908-1](#)