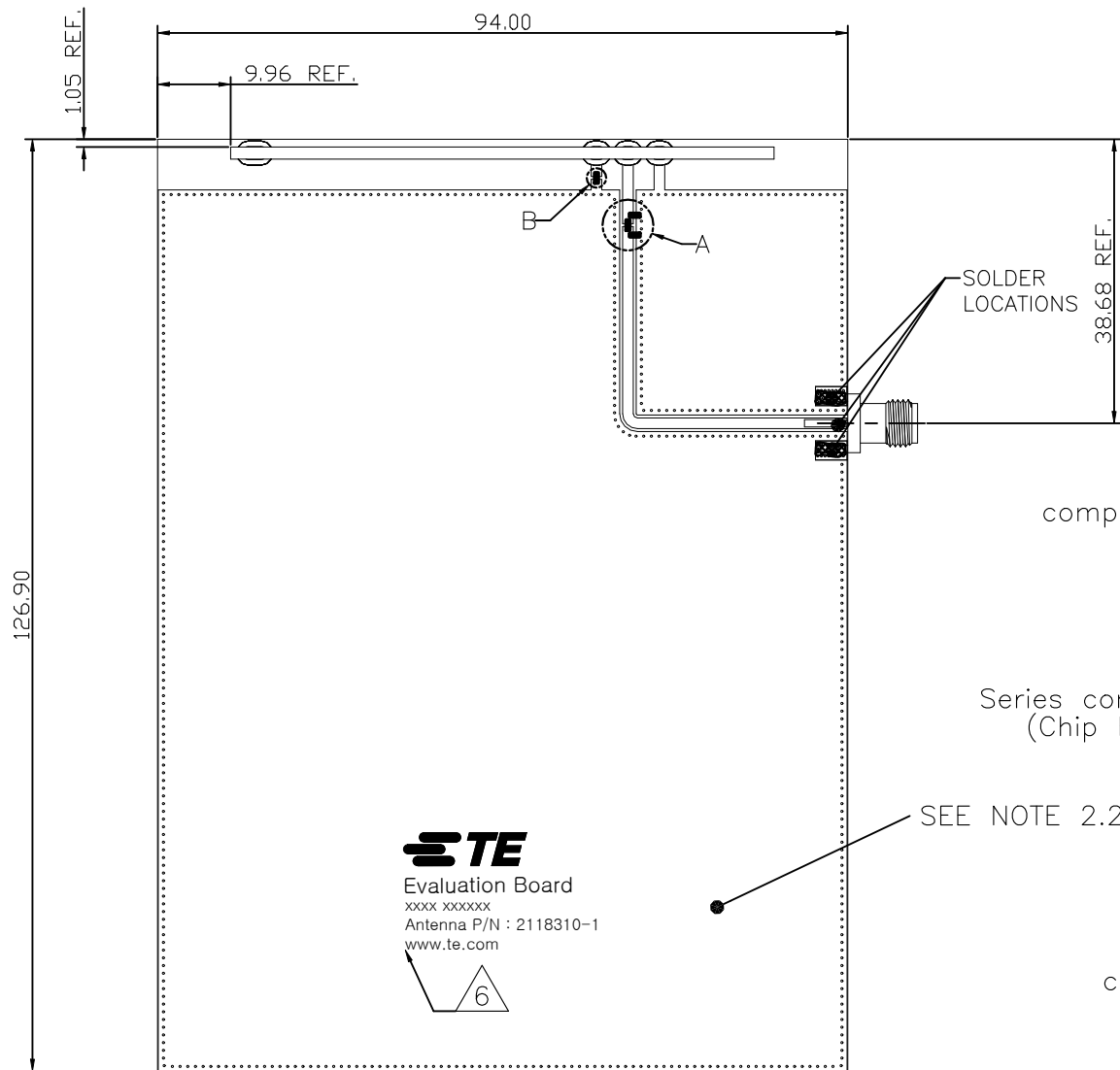


REVISIONS

P	LTR	DESCRIPTION	DATE	DWN	APVD
	A1	REVISED PER ECN-23-230183	07SEP2023	DW	JH

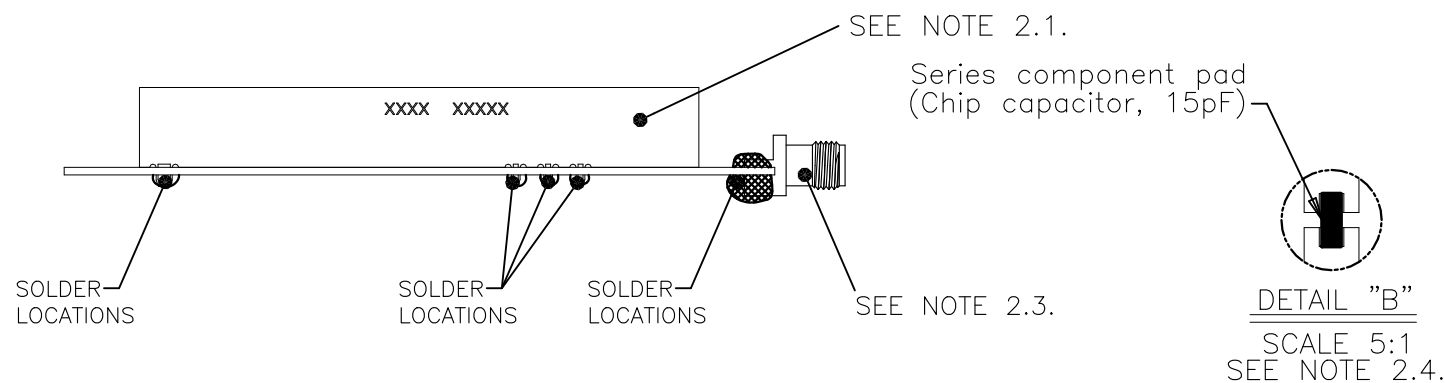
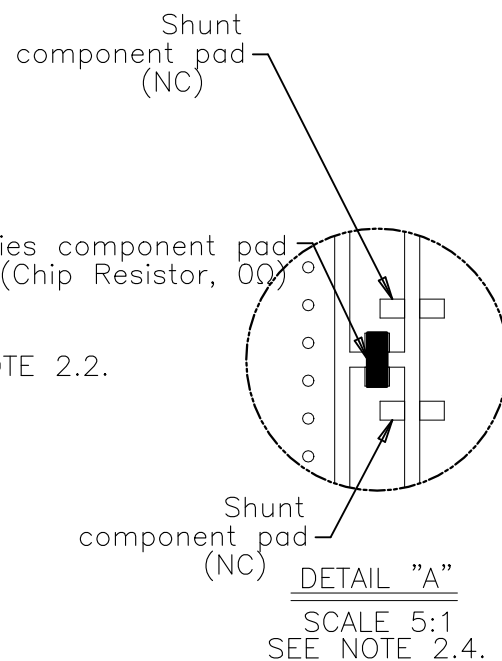


NOTE : UNLESS OTHERWISE SPECIFIED

- FABRICATE TO MEET IPC - 6012, CLASS 2. INSPECT TO MEET IPC - A - 600, CLASS 2.
- MATERIALS
  - ANTENNA MATERIAL : FR4 PCB, OVERALL THICKNESS 1.65<sup>+0.15</sup><sub>-0.20</sub> mm
  - EVB MATERIAL : FR4 PCB, OVERALL THICKNESS 1.00mm
  - SMA(FEMALE) PANEL TYPE CONN. : 50 OHMS(IMPEDANCE)
  - MEASURED WITH MATCHING CIRCUIT CONDITIONS.

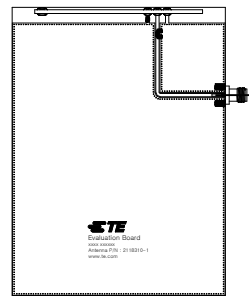
- GENERAL TOLERANCES : ±0.20
- PACKAGING : SEE SHEET2
- CONSULT TE CONNECTIVITY DATA SHEET DS2118310.

- SILKSCREEN : WITHE EPOXY INK.
  - A: TE LOGO, TE P/N
  - B: WORD REV., FOLLOWED BY THE LASTEST REVISION LETTER. AS SHOWN.
  - C: 4 DIGITS DATE CODE: FIRST 2 DIGITS FOR THE WEEK CODE AND THE 2 DIGITS FOR THE YEAR CODE.
  - OTHERS: SPECIFIC TE INTERNAL USE ONLY.



THIS DRAWING IS A CONTROLLED DOCUMENT.		DWN DW.PARK	17AUG2022	<b>STE</b> TE Connectivity													
		CHK H.SHIN	17AUG2022														
DIMENSIONS: mm		APVD CY.PARK	17AUG2022	NAME 2118310-1 ANTENNA WITH EVB ASSY													
TOLERANCES UNLESS OTHERWISE SPECIFIED:		PRODUCT SPEC		-													
<table border="0"> <tr><td>0 PLC</td><td>± -</td></tr> <tr><td>1 PLC</td><td>± -</td></tr> <tr><td>2 PLC</td><td>± -</td></tr> <tr><td>3 PLC</td><td>± -</td></tr> <tr><td>4 PLC</td><td>± -</td></tr> <tr><td>ANGLES</td><td>± -</td></tr> </table>		0 PLC	± -	1 PLC	± -	2 PLC	± -	3 PLC	± -	4 PLC	± -	ANGLES	± -	APPLICATION SPEC		-	
0 PLC	± -																
1 PLC	± -																
2 PLC	± -																
3 PLC	± -																
4 PLC	± -																
ANGLES	± -																
MATERIAL		WEIGHT		SIZE A3	CAGE CODE 00779												
-		-		DRAWING NO C-8-2118310													
CUSTOMER DRAWING				RESTRICTED TO	-												
				SCALE 1:1	SHEET 1 OF 2												
				REV A1													

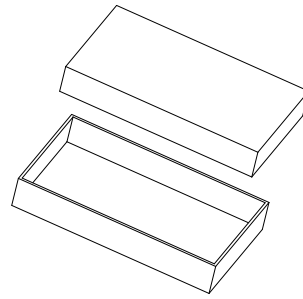
REVISIONS					
P	LTR	DESCRIPTION	DATE	DWN	APVD
-	-	SEE SHEET 1	-	-	-



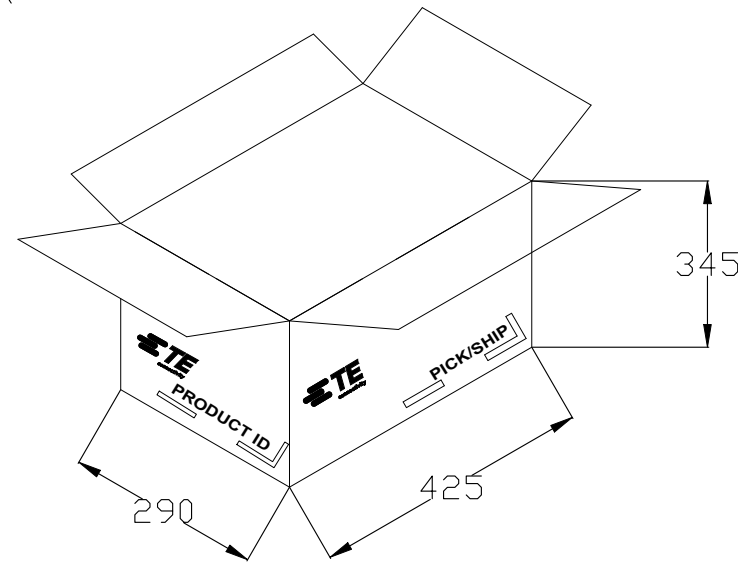
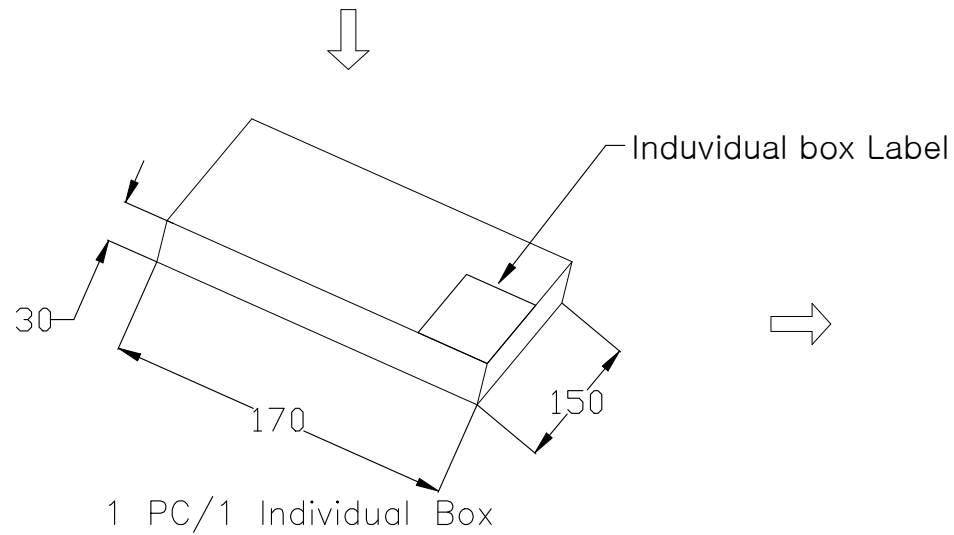
8-2118310-1



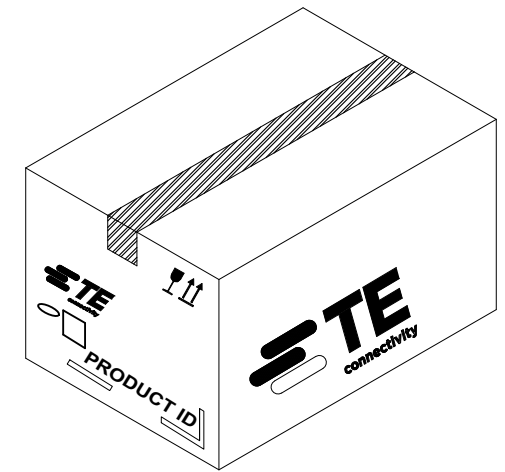
BUFFER SPONGE



INDIVIDUAL BOX



40 PCS Individual Box / 1 Carton Box



THIS DRAWING IS A CONTROLLED DOCUMENT.		DWN DW.PARK	17AUG2022	<b>STE</b> TE Connectivity	
		CHK H.SHIN	17AUG2022		
DIMENSIONS: mm		TOLERANCES UNLESS OTHERWISE SPECIFIED:		NAME 2118310-1 ANTENNA WITH EVB ASSY	
		0 PLC	± -	APVD CY.PARK	
		1 PLC	± -	17AUG2022	
		2 PLC	± -	PRODUCT SPEC	
		3 PLC	± -	APPLICATION SPEC	
		4 PLC	± -	SIZE	
		ANGLES	± -	CAGE CODE	
MATERIAL		FINISH	-	DRAWING NO	
				RESTRICTED TO	
				A3 00779 C-8-2118310	
				SCALE 1:1 SHEET 2 OF 2 REV A1	
				CUSTOMER DRAWING	

# Mouser Electronics

Authorized Distributor

Click to View Pricing, Inventory, Delivery & Lifecycle Information:

[TE Connectivity:](#)

[8-2118310-1](#)