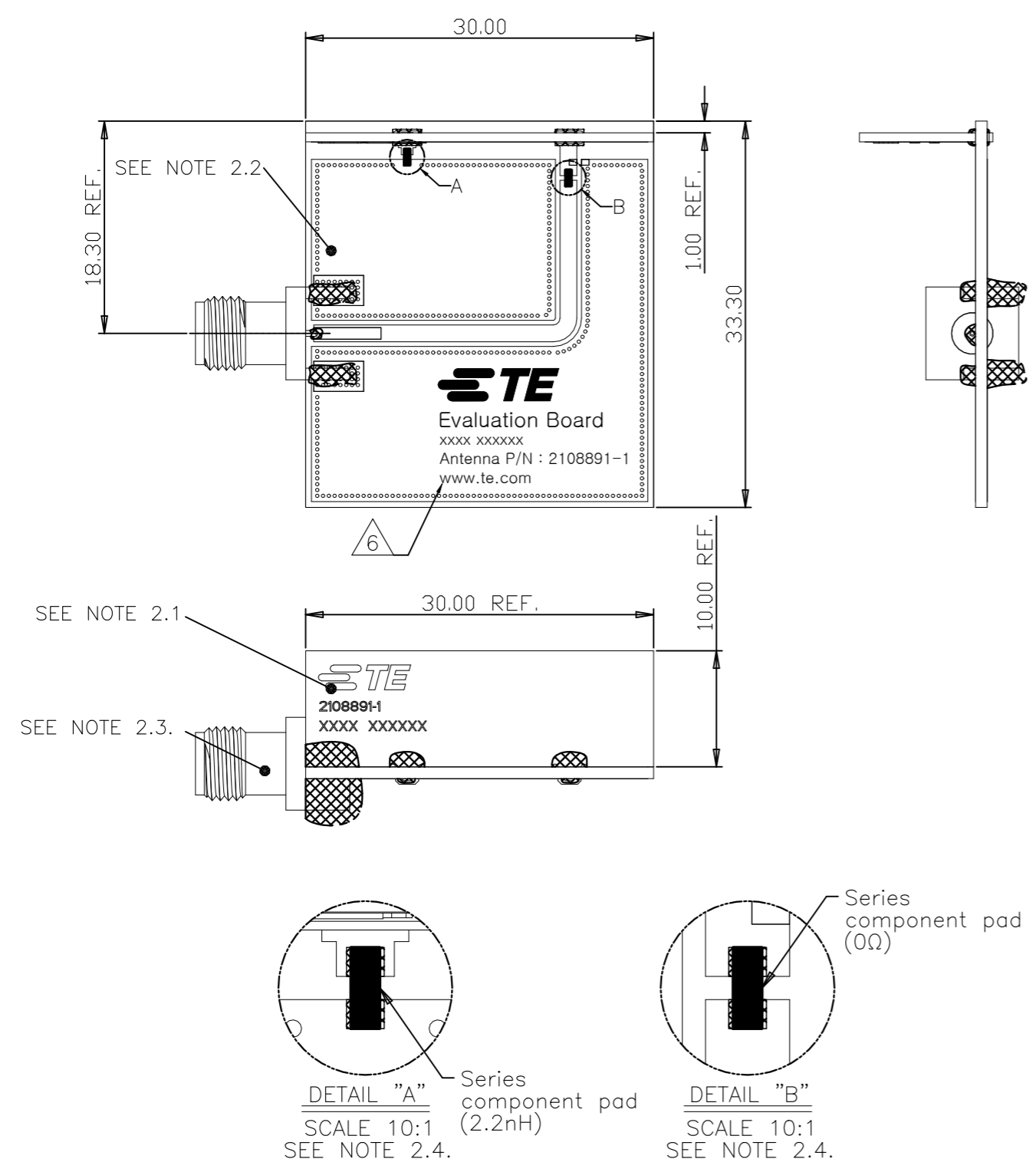


REVISIONS				
P	LTR	DESCRIPTION	DATE	APVD
	A1	REVISED PER ECN-23-230183	07SEP2023	DW JH

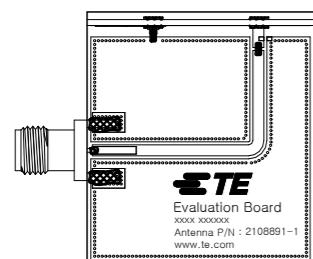


NOTE : UNLESS OTHERWISE SPECIFIED

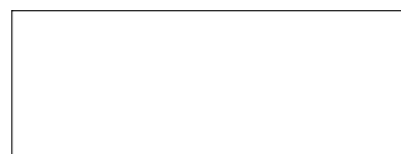
- FABRICATE TO MEET IPC - 6012, CLASS 2.
INSPECT TO MEET IPC - A - 600, CLASS 2.
- MATERIALS
 - ANTENNA MATERIAL : FR4 PCB, OVERALL THICKNESS 0.76±0.10mm
 - EVB MATERIAL : FR4 PCB, OVERALL THICKNESS 1.00mm
 - SMA(FEMALE) PANEL TYPE CONN. : 50 OHMS(IMPEDANCE)
 - MEASURED WITH MATCHING CIRCUIT CONDITIONS.
- GENERAL TOLERANCES : ±0.20
- PACKAGING : SEE SHEET2
- CONSULT TE CONNECTIVITY DATA SHEET DS2108891
- SILKSCREEN : WITHE EPOXY INK.
 - A: TE LOGO, TE P/N
 - B: WORD REV., FOLLOWED BY THE LASTEST REVISION LETTER. AS SHOWN.
 - C: 4 DIGITS DATE CODE: FIRST 2 DIGITS FOR THE WEEK CODE AND THE 2 DIGITS FOR THE YEAR CODE.
 - OTHERS: SPECIFIC TE INTERNAL USE ONLY.

THIS DRAWING IS A CONTROLLED DOCUMENT.		DWN DW.PARK 29JUL2022	TE Connectivity														
DIMENSIONS: mm		CHK H.SHIN 29JUL2022															
TOLERANCES UNLESS OTHERWISE SPECIFIED:		APVD CY.PARK 29JUL2022	NAME 2108891-1 ANTENNA WITH EVB ASSY														
<table border="0"> <tr><td>0 PLC</td><td>± -</td></tr> <tr><td>1 PLC</td><td>± -</td></tr> <tr><td>2 PLC</td><td>± -</td></tr> <tr><td>3 PLC</td><td>± -</td></tr> <tr><td>4 PLC</td><td>± -</td></tr> <tr><td>ANGLES</td><td>± -</td></tr> </table>		0 PLC	± -	1 PLC	± -	2 PLC	± -	3 PLC	± -	4 PLC	± -	ANGLES	± -	PRODUCT SPEC -	APPLICATION SPEC -		
0 PLC	± -																
1 PLC	± -																
2 PLC	± -																
3 PLC	± -																
4 PLC	± -																
ANGLES	± -																
MATERIAL -		FINISH -	WEIGHT -	SIZE A3	CAGE CODE 00779	DRAWING NO C-8-2108891	RESTRICTED TO -										
CUSTOMER DRAWING			SCALE 1:1	SHEET 1 OF 2	REV A1												

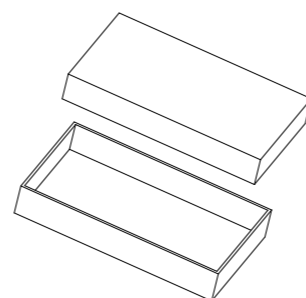
REVISIONS					
P	LTR	DESCRIPTION	DATE	DWN	APVD
	-	SEE SHEET 1	-	-	-



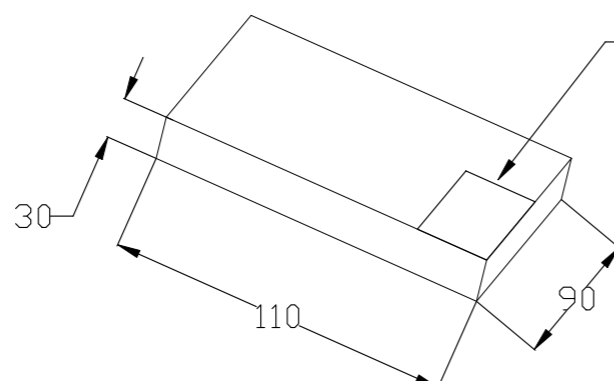
8-2108891-1



BUFFER SPONGE

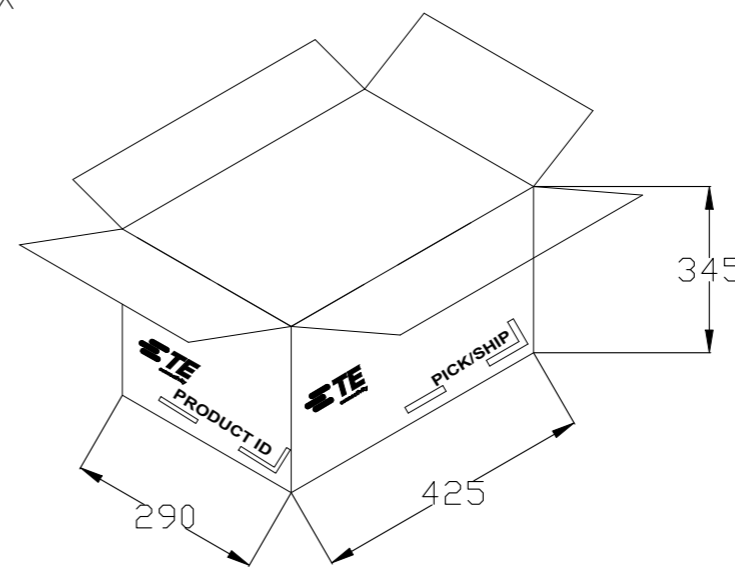


INDIVIDUAL BOX

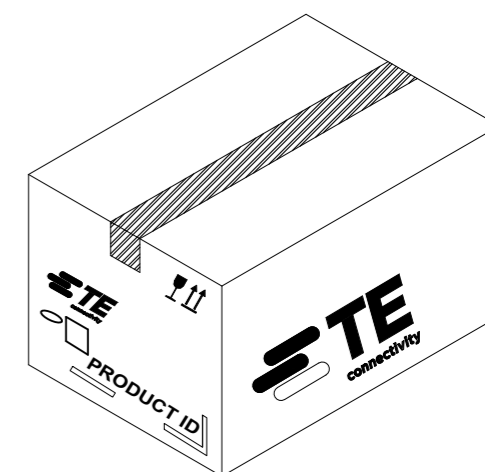


1 PC/1 Individual Box

Individual box Label



100 PCS Individual Box / 1 Carton Box



THIS DRAWING IS A CONTROLLED DOCUMENT.		DWN DW.PARK 29JUL2022	TE TE Connectivity		
		CHK H.SHIN 29JUL2022			
DIMENSIONS: mm		APVD CY.PARK 29JUL2022	NAME 2108891-1 ANTENNA WITH EVB ASSY		
TOLERANCES UNLESS OTHERWISE SPECIFIED:		PRODUCT SPEC	-		
0 PLC ± -		APPLICATION SPEC	-		
1 PLC ± -		WEIGHT	-		
2 PLC ± -		SIZE	A3	CAGE CODE	00779
3 PLC ± -		DRAWING NO	C-8-2108891		RESTRICTED TO
4 PLC ± -					
ANGLES ± -		SCALE 1:1 SHEET 2 OF 2 REV A1			
FINISH		CUSTOMER DRAWING			
-					

Mouser Electronics

Authorized Distributor

Click to View Pricing, Inventory, Delivery & Lifecycle Information:

[TE Connectivity:](#)

[8-2108891-1](#)