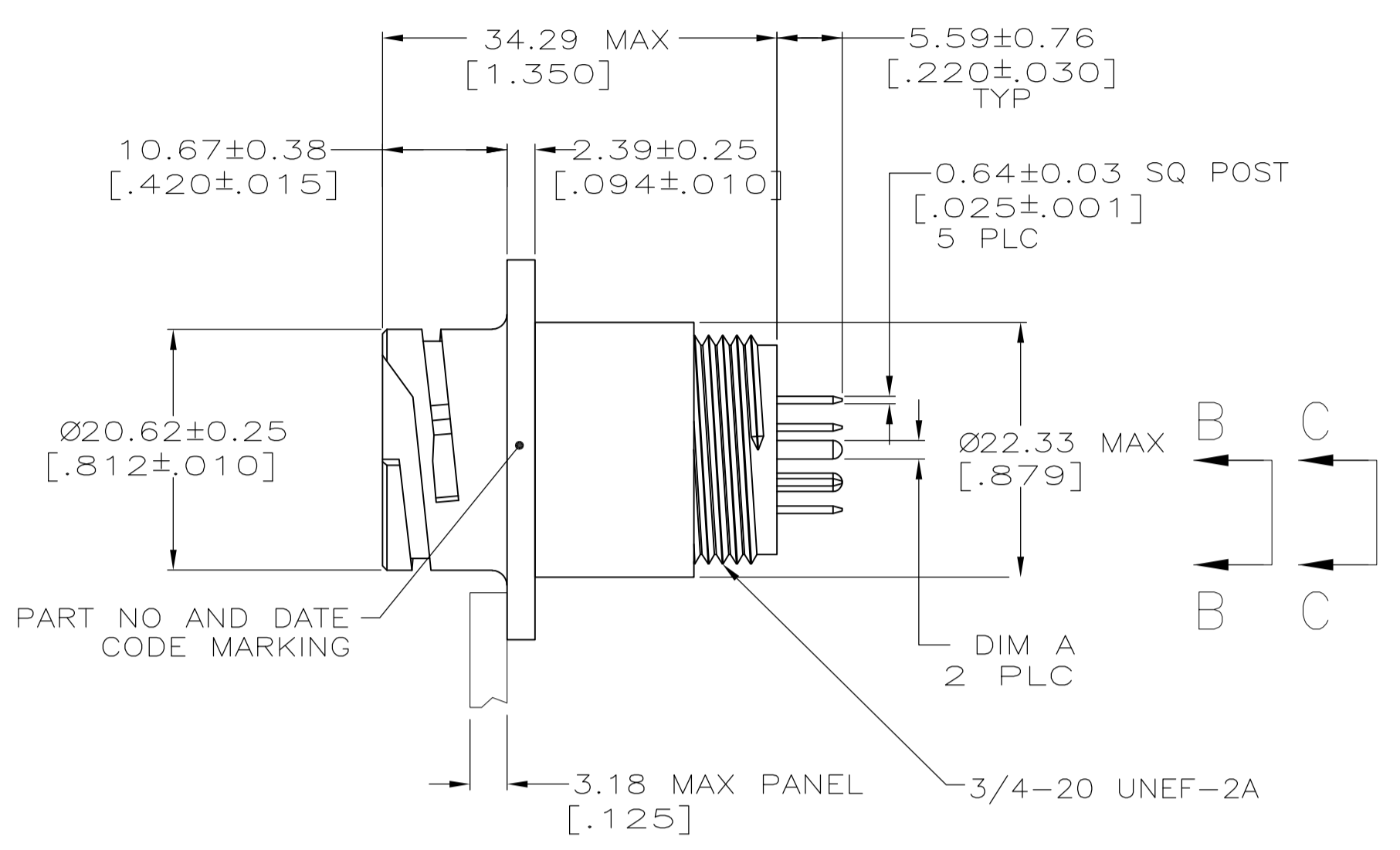
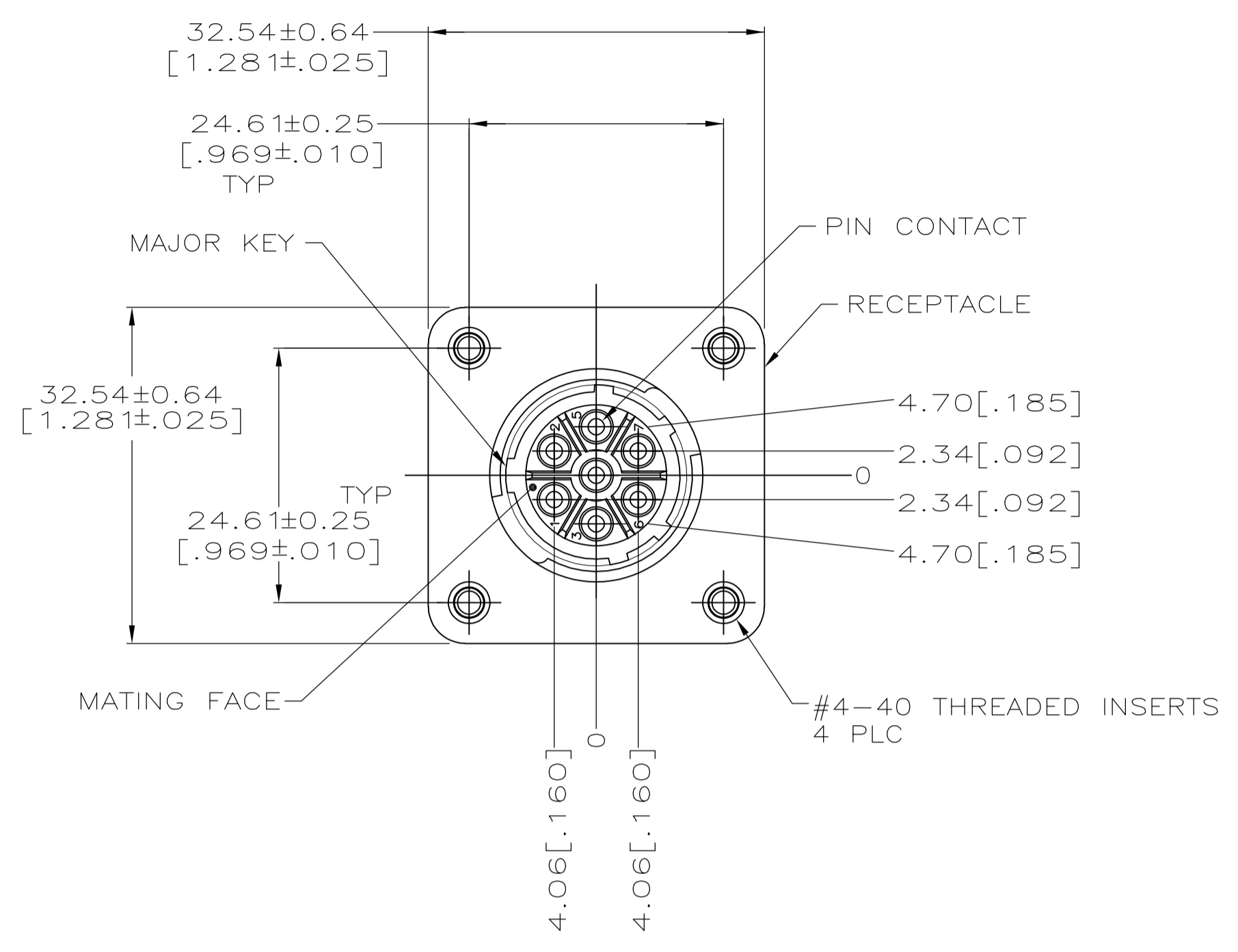
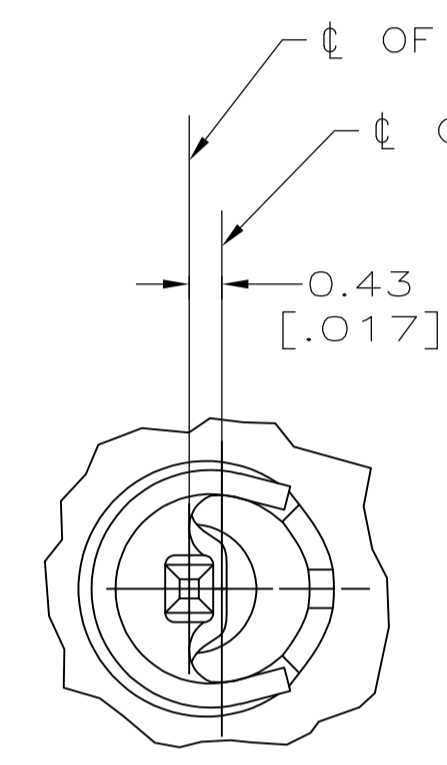


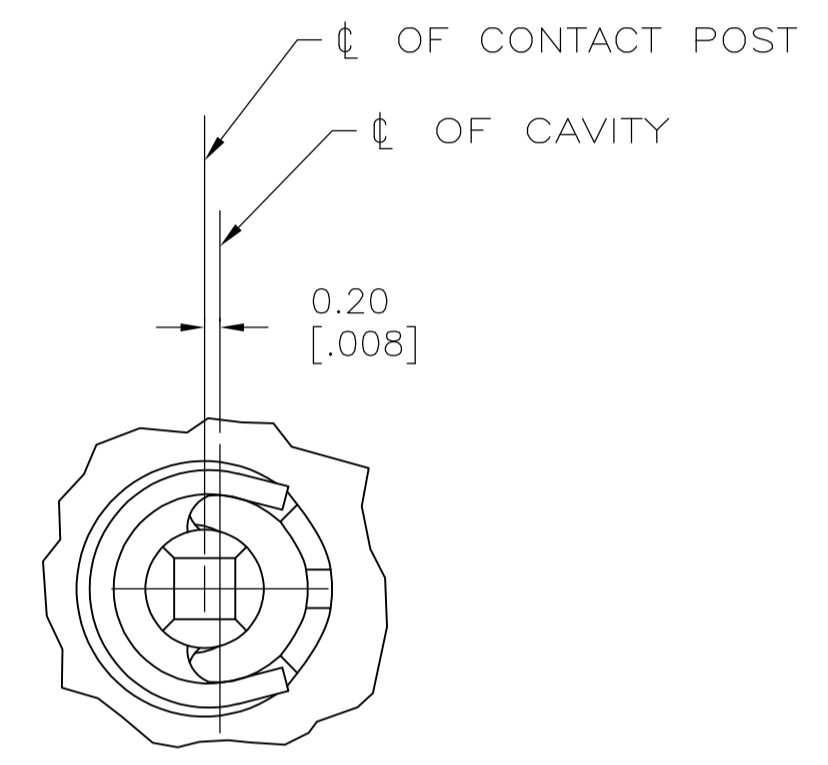
| REVISIONS | | | | | |
|-----------|-----|---------------------------|-----------|-----|------|
| P | LTR | DESCRIPTION | DATE | DMN | APVD |
| C | | REVISED PER ECO-06-25468 | 11/08/06 | SS | SH |
| C1 | | REVISED PER ECO-09-022908 | 08OCT09 | KK | AEG |
| D | | REVISED PER ECO-16-018356 | 22MAR2017 | RS | MZ |



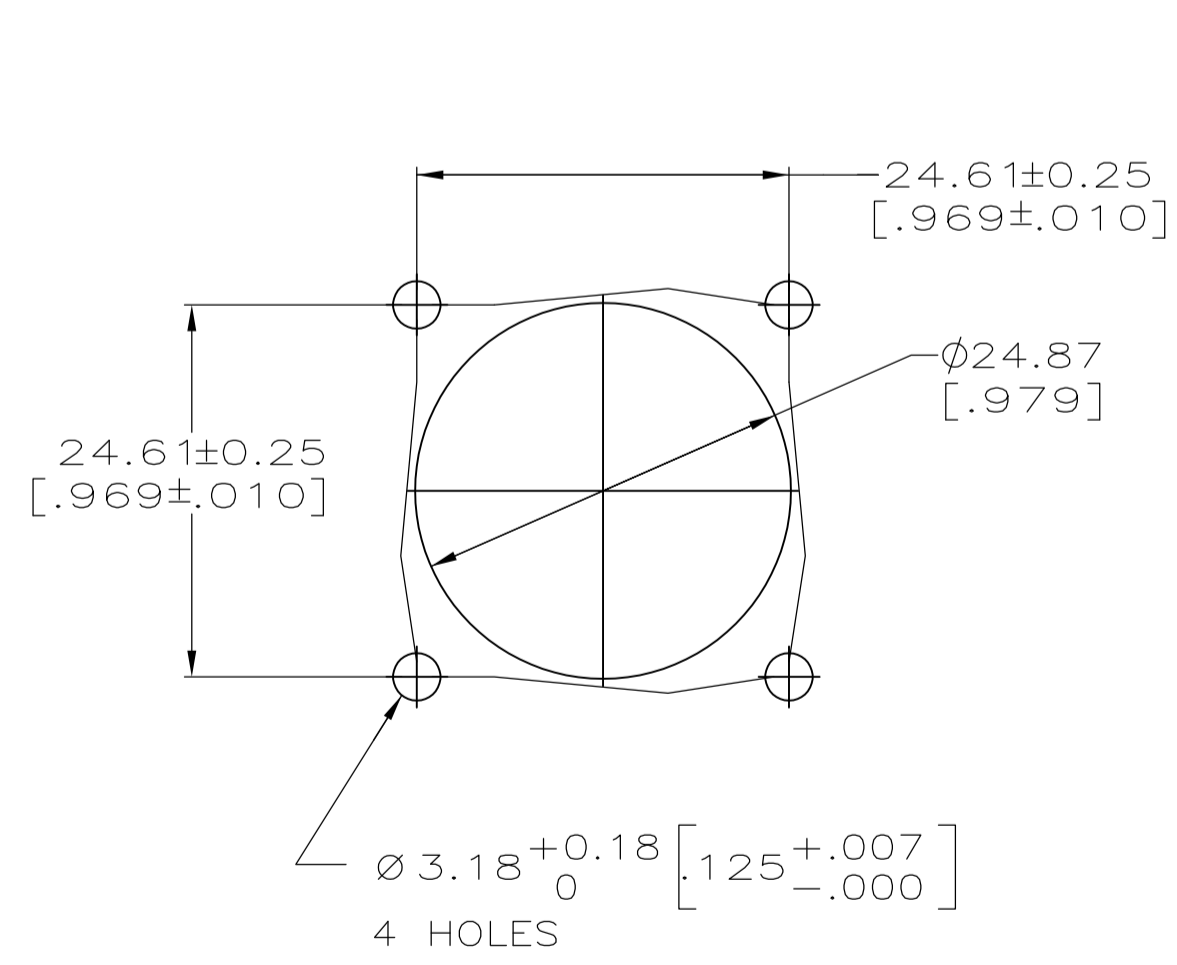
- CAVITY IDENTIFICATION ON FRONT AND REAR FACE.
- RECEPTACLE: NYLON, UL 94V-0 RATED, BLACK.
PIN CONTACT WITH 0.64[.025] SQ POST: BRASS.
PIN CONTACT WITH Ø1.57[.062] POST: COPPER ALLOY.
SPRING: STAINLESS STEEL.
INSERTS: BRASS.
- PIN CONTACT WITH SQ POST:
CONTACT: 0.76um[.000030] MIN GOLD FOR A DISTANCE OF 6.35[.250] FROM MATING END, ALL OVER 1.27um[.000050] MIN NICKEL.
POST: 2.54um[.000100] MIN TIN-LEAD OVER 1.27um[.000050] MIN NICKEL.
- PIN CONTACT WITH Ø1.57[.062] POST: 5.08um[.000200] MIN SILVER ALL OVER 1.27um[.000050] MIN NICKEL.
- PIN CONTACT WITH SQ POST:
CONTACT: 0.76um[.000030] MIN GOLD FOR A DISTANCE OF 6.35[.250] FROM MATING END, ALL OVER 1.27um[.000050] MIN NICKEL.
POST: 2.54um[.000100] MIN TIN OVER 1.27um[.000050] MIN NICKEL.
- OBsolete PARTS: OBsolete CIS STREAMLINING PER D.RENAUD/D.SINISI



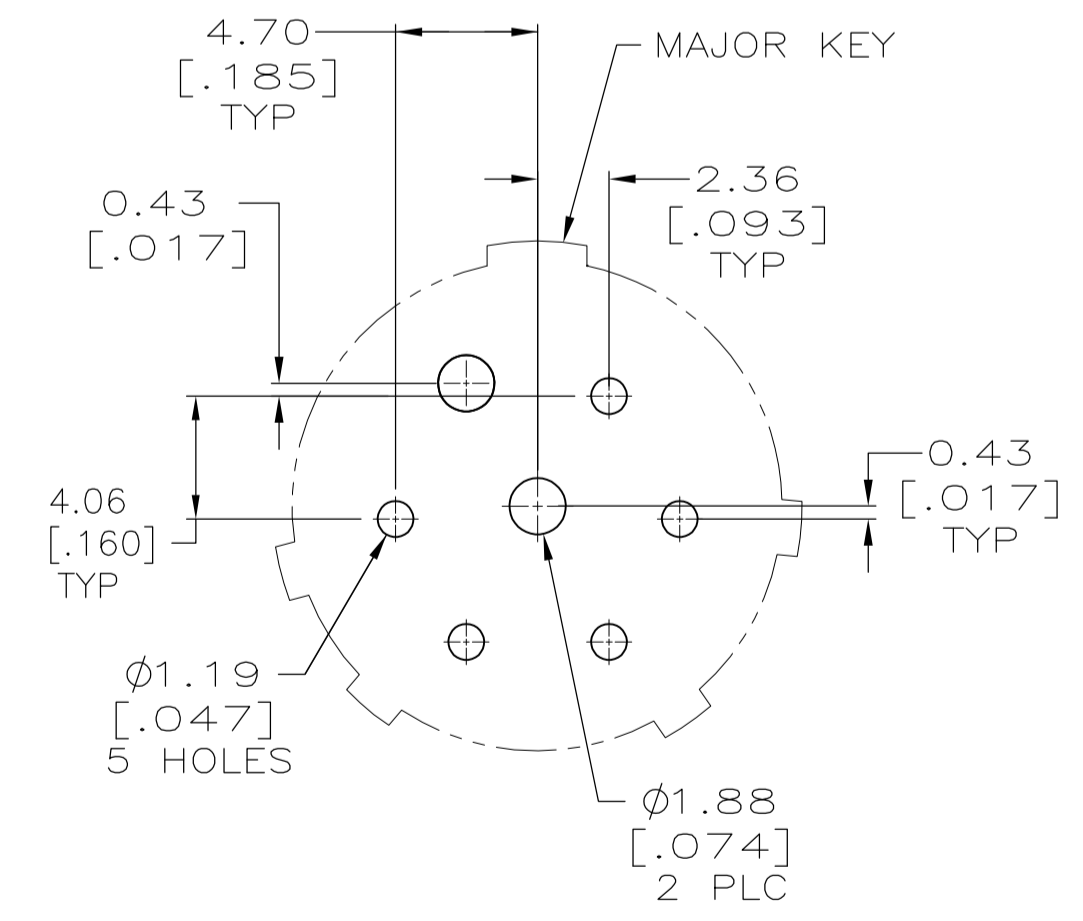
VIEW B-B
SCALE 10:1
5 PLC



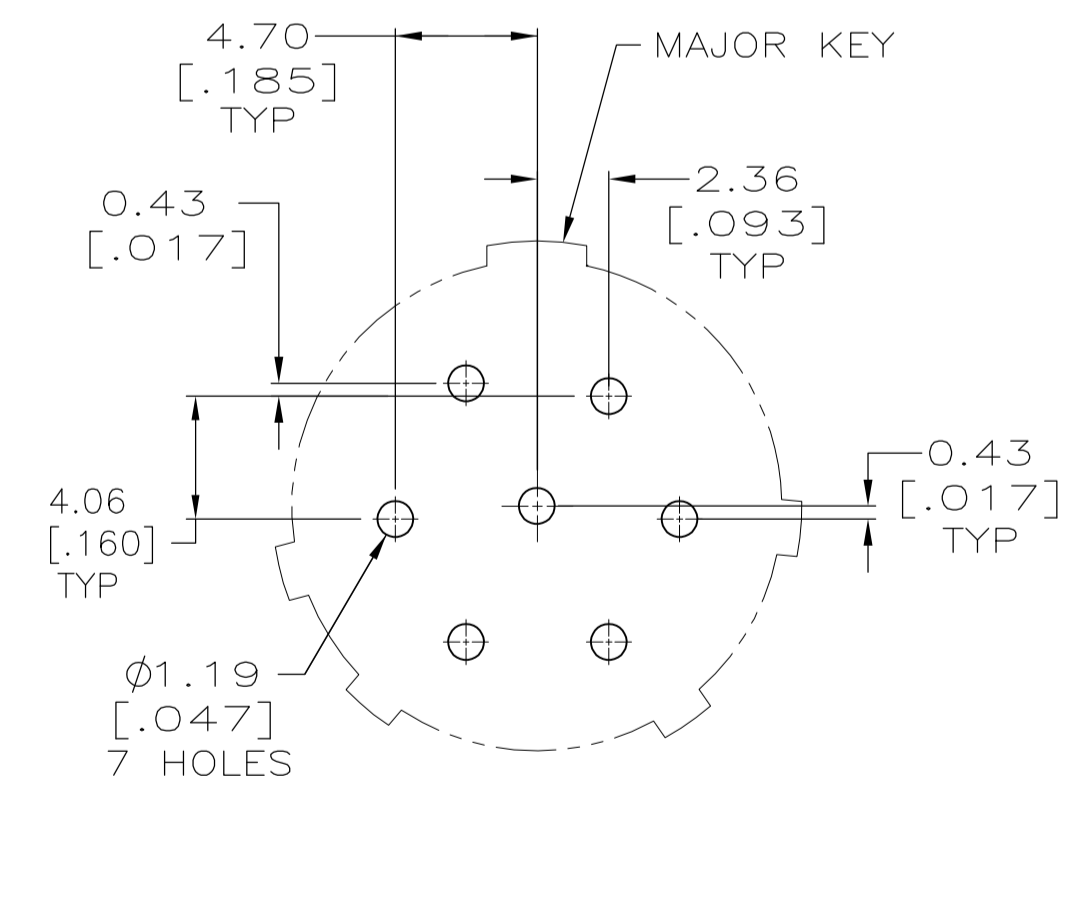
VIEW C-C
SCALE 10:1
2 PLC
788194-6 ONLY



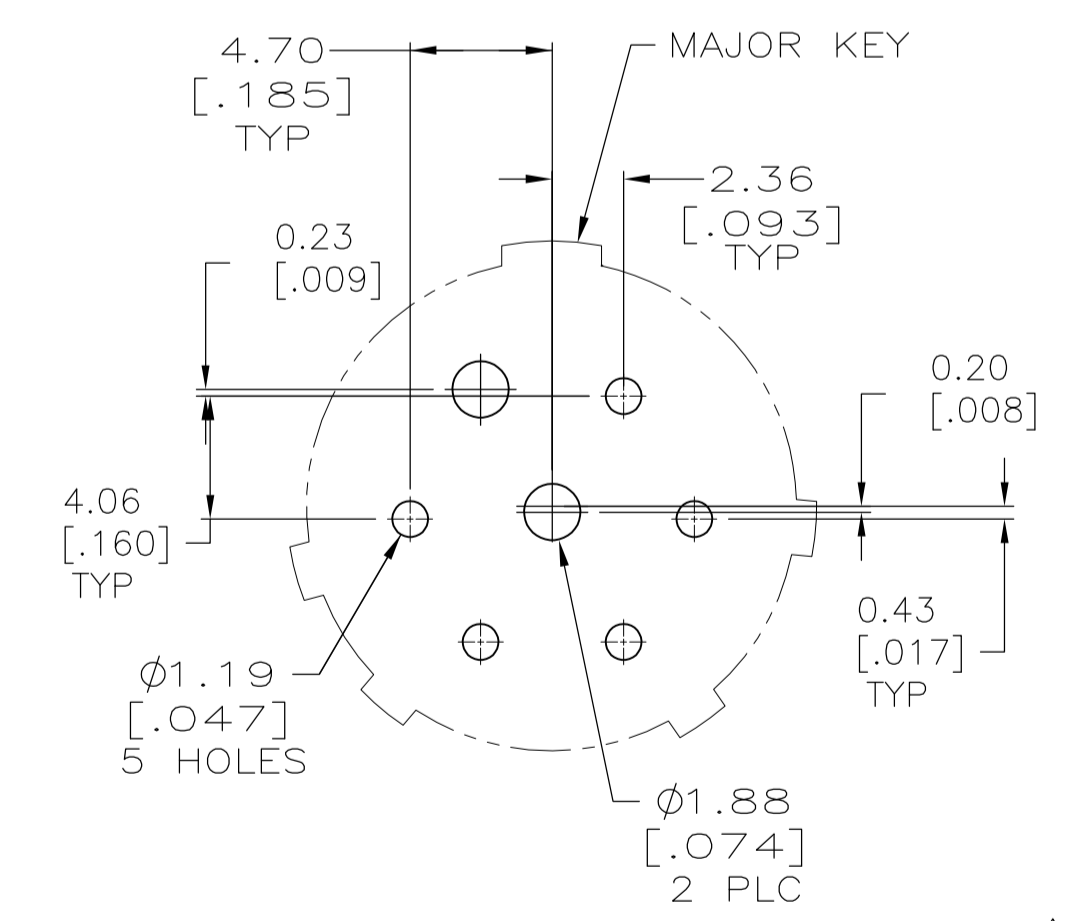
RECOMMENDED PANEL CUTOUT



RECOMMENDED BOARD LAYOUT
FOR 788194-1, -3 & -5
SCALE 4:1



RECOMMENDED BOARD LAYOUT
FOR 788194-2 & -4
SCALE 4:1



RECOMMENDED BOARD LAYOUT
FOR 788194-6 ONLY
SCALE 4:1

| | | | |
|----------|-----------|-------------|---------------------|
| | .062 DIA. | | 788194-6 |
| OBsolete | .045 SQ | | 788194-5 |
| OBsolete | .025 DIA. | | 788194-4 |
| | .062 DIA. | | 788194-3 |
| OBsolete | .025 SQ | | 788194-2 |
| OBsolete | .062 DIA. | | 788194-1 |
| | DIM A | PIN CONTACT | PART NUMBER |

| DIMENSIONS: | | TOLERANCES UNLESS OTHERWISE SPECIFIED: | | APPROVED: | | DATE: | | NAME: | |
|-------------|----------|--|--------------|-----------|------|-------|------|-------|------|
| mm | [INCHES] | 0 PLC | ± - | DMN | DATE | DMN | DATE | DMN | DATE |
| | | 1 PLC | ± - | CHK | DATE | CHK | DATE | CHK | DATE |
| | | 2 PLC | ± 0.13[.005] | APPD | DATE | APPD | DATE | APPD | DATE |
| | | 3 PLC | ± - | | | | | | |
| | | 4 PLC | ± - | | | | | | |
| | | ANGLES | ± - | | | | | | |
| MATERIAL | | FINISH | | | | | | | |

Mouser Electronics

Authorized Distributor

Click to View Pricing, Inventory, Delivery & Lifecycle Information:

[TE Connectivity:](#)

[788194-3](#)