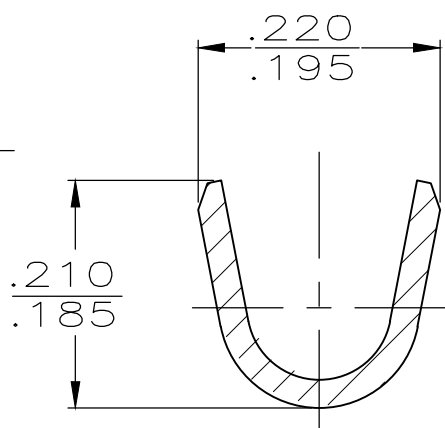
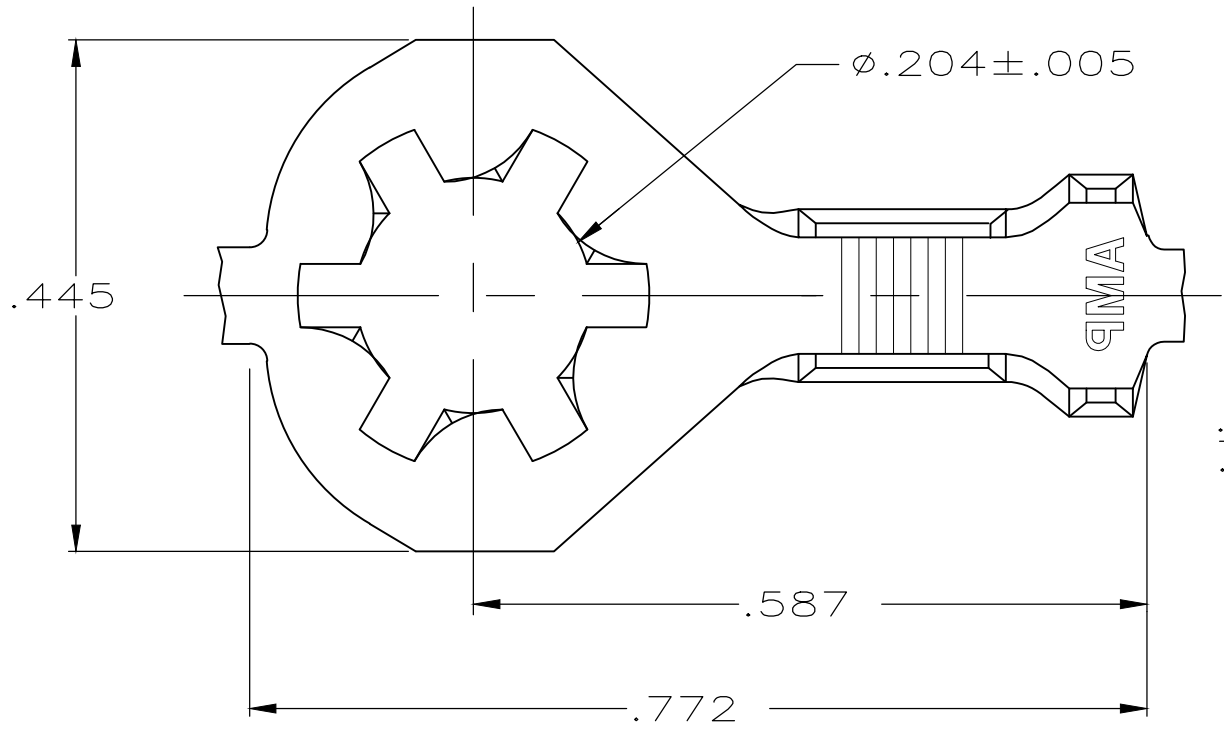
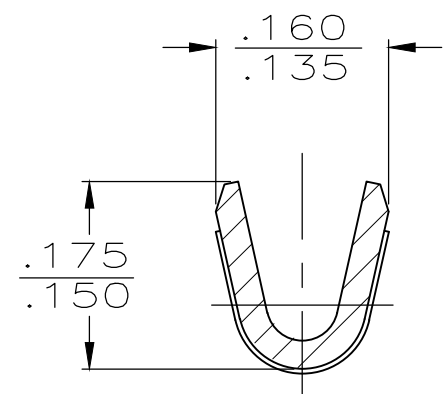


THIS DRAWING IS UNPUBLISHED. RELEASED FOR PUBLICATION
 © COPYRIGHT - By - ALL RIGHTS RESERVED.

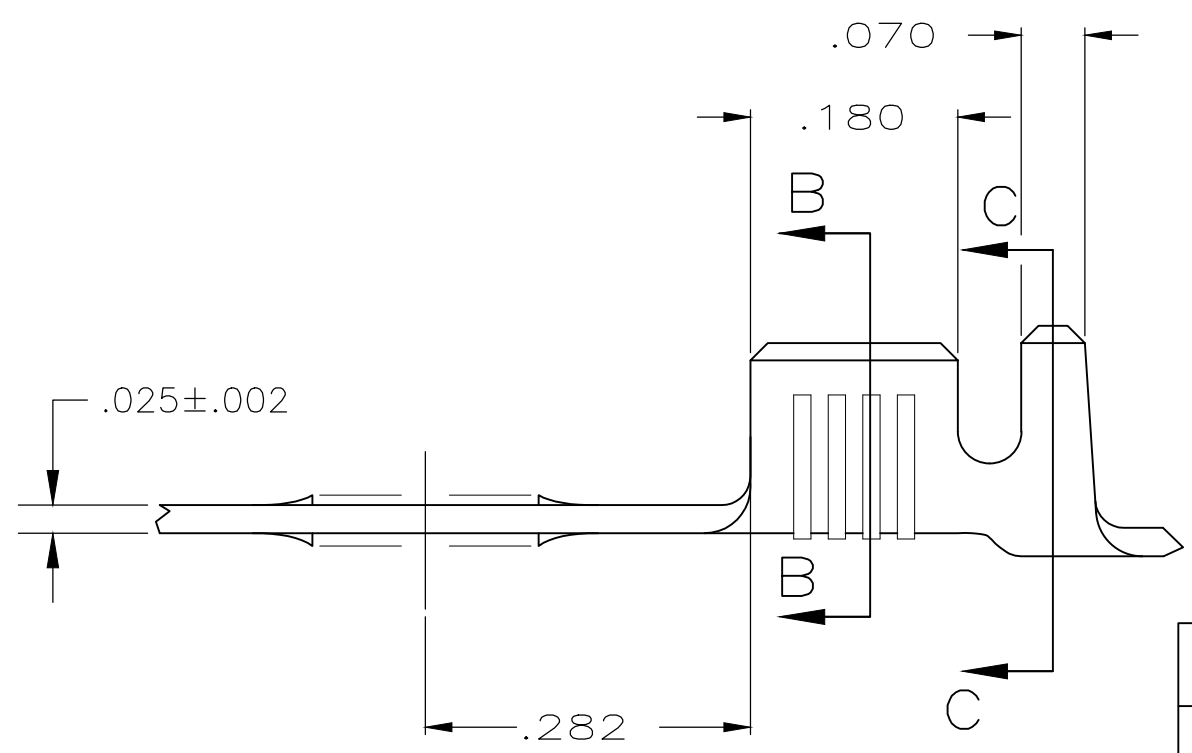
| LOC | DIST | REVISIONS | | | |
|-----|------|-------------|---------------------------|-----------|--------|
| P | LTR | DESCRIPTION | DATE | DWN | APVD |
| AF | 50 | P6 | REVISED PER ECR-19-008121 | 27MAY2019 | BDA GG |



SECTION C-C



SECTION B-B



- 1 CONTINUOUS STRIP ON REELS
- 2 TIN PLATING.
- 3 WIRE SIZE IS #18-#14 AWG
- 4 INSULATION RANGE IS .105-.145 DIA
- 5 INTERLEAVING PAPER
- 6 OBSOLETE PARTS
- 7 50μin OF NICKEL UNDERPLATING AND 150 TO 300μin OF TIN PLATING

| FINISH | MATERIAL | PART NO. |
|--------|-------------------|-----------|
| 7 2 | H04 BRASS | 1-61795-1 |
| 5 | MADE FROM 61795-3 | 1-61795-0 |
| 5 | MADE FROM 61795-1 | 61795-9 |
| 6 5 | T2 STEEL | 61795-7 |
| 2 | H04 BRASS | 61795-6 |
| 2 | H04 BRASS | 61795-3 |
| 6 | | 61795-2 |
| 2 | T2 STEEL | 61795-1 |

| | | | | |
|--|--|--------------------------------|----------------------------|--|
| THIS DRAWING IS A CONTROLLED DOCUMENT. | | DWN 5/15/87 D HOLLINGSWORTH | STE TE Connectivity | |
| | | CHK 11/23/87 G YETTER | | |
| | | APVD 12/2/87 R FRANTZ | NAME | |
| DIMENSIONS: INCHES | | PRODUCT SPEC | | |
| TOLERANCES UNLESS OTHERWISE SPECIFIED: | | APPLICATION SPEC | | |
| 0 PLC ± - | | SIZE | | |
| 1 PLC ± - | | CAGE CODE | | |
| 2 PLC ± - | | DRAWING NO | | |
| 3 PLC ± .015 | | RESTRICTED TO | | |
| 4 PLC ± - | | A3 00779 C-61795 | | |
| ANGLES ± - | | SCALE 6:1 | | |
| MATERIAL SEE TABLE | | SHEET 1 OF 1 | | |
| FINISH SEE TABLE | | REV P6 | | |
| CUSTOMER DRAWING | | | | |

Mouser Electronics

Authorized Distributor

Click to View Pricing, Inventory, Delivery & Lifecycle Information:

[TE Connectivity:](#)

[1-61795-1](#)