

REVISIONS					
P	LTR	DESCRIPTION	DATE	DWN	APVD
A		GTP ECN-23-225331	08AUG2023	SM	RB
A1		LABEL UPDATED	01FEB2024	SS	AOW

TECHNICAL DATA

ENVIRONMENTAL CHARACTERISTICS:
 TEMPERATURE RANGE.....-40°C TO +85°C
 SEALING.....IP67 / ISO 20653
 VIBRATION.....4.12GRMS / 10-2000Hz
 SHOCK G-LEVEL......6G/11msec (NO MICRO CUTS)
50G/11msec (NO PHYSICAL DAMAGE)
 WEIGHT.....~175g / 0.38 POUND

ELECTRICAL CHARACTERISTICS:
 MIN. ISULATION RESISTANCE, INITIAL.....100MOHM
 DIELECTRIC WITHSTANDING VOLTAGE.....2800VAC -1min
 MAX. CONTACT DROP DURING RESISTIVE LOAD.....150mV
 DUTY RATING.....250A-

OVERLOAD (CARRYING).....500A-180sec
1000A-30sec

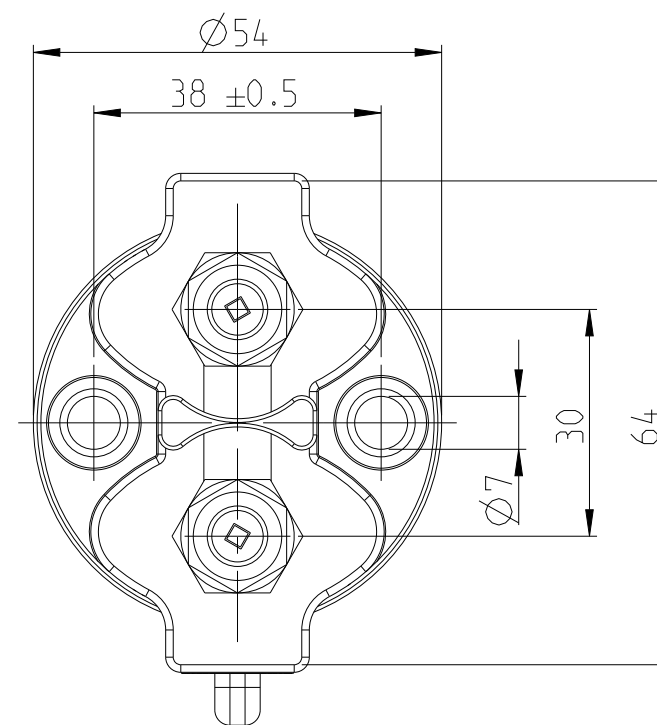
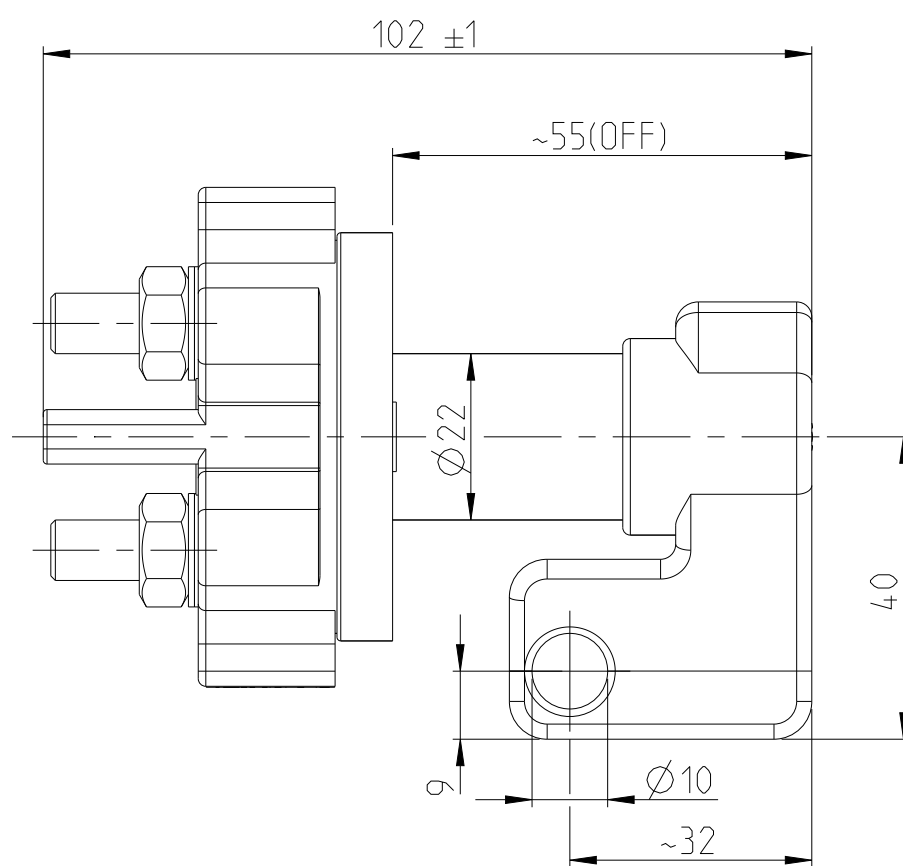
SWITCHING CYCLES POSSIBLE:
 MECHANICAL (MECHANICAL NO ELECTRICAL LOAD)..... 10000 CYCLES
 910VDC/1A..... 5000 CYCLES
 1.5s ON (SWITCHED ON WITH LOAD) AND 30s OFF (SWITCHED OFF WITHOUT LOAD)

80VDC / 200A..... 100 CYCLES
 80VDC / 300A..... 10 CYCLES
 910VDC / 200A..... 1 CYCLE
 SWITCH MUST BE REPLACED AFTERWARDS!
 OTHER VOLTAGE/AMPERAGE COMBINATIONS HAVE NOT BEEN TESTED.

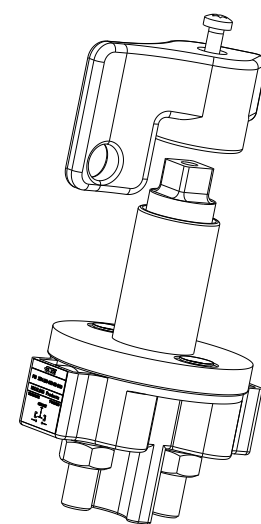
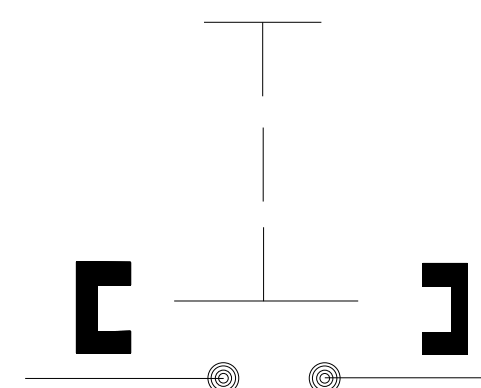
MAX VOLTAGE 1000VDC

OPERATING ALTITUDE.....-610 TO +3600 METERS
 SWITCHING ALTITUDE (ON/OFF).....MAX. +1500 METERS

GENERAL CHARACTERISTICS:
 CASE MATERIAL.....PA GF BLACK
 SWITCH LEVER MATERIAL.....PA GF ORANGE RAL 2003
 WIRE SECTION (AT NOMINAL LOAD).....MIN. 70 mm²
 SWITCH LEVER.....NOT REMOVEABLE
 MAX TORQUE (MAIN CONTACTS).....12-13Nm
 MAX. OPERATING TORQUE SWITCH LEVER.....1Nm



CIRCUIT



ISO 1:2

NOTES
Bemerkungen

- 1 TE-CONNECTIVITY ORDER-NUMBER
- 2 ATTENTION: NOT SWITCHABLE UNDER FULL LOAD!
- 3 DESGN OF THE SWITCH IS ACCORDING TO DIN EN 60664-1 (ASSUMED MAX. RATED IMPULSE VOLTAGE 4kV)

THIS DRAWING IS A CONTROLLED DOCUMENT.		DWN K. SEEGER	30NOV2020	TE Connectivity	
DIMENSIONS: mm		CHK A.O. WALZ	15JUN2023		
TOLERANCES UNLESS OTHERWISE SPECIFIED: DIN ISO 2867 cL		APVD U. GRINDEMANN	28JUL2023		
MATERIAL		PRODUCT SPEC		NAME BATTERY DISCONNECTOR Batterietrennschalter	
ANGLES FINISH		APPLICATION SPEC		SIZE A2	CAGE CODE 00779
		WEIGHT		DRAWING NO C-35H-210-051-0R-900	
		CUSTOMER DRAWING		RESTRICTED TO	
		SCALE 1:1		SHEET 1 OF 1	REV A1

Mouser Electronics

Authorized Distributor

Click to View Pricing, Inventory, Delivery & Lifecycle Information:

[TE Connectivity:](#)

[35H-210-051-OR-900](#) [K1167328](#)