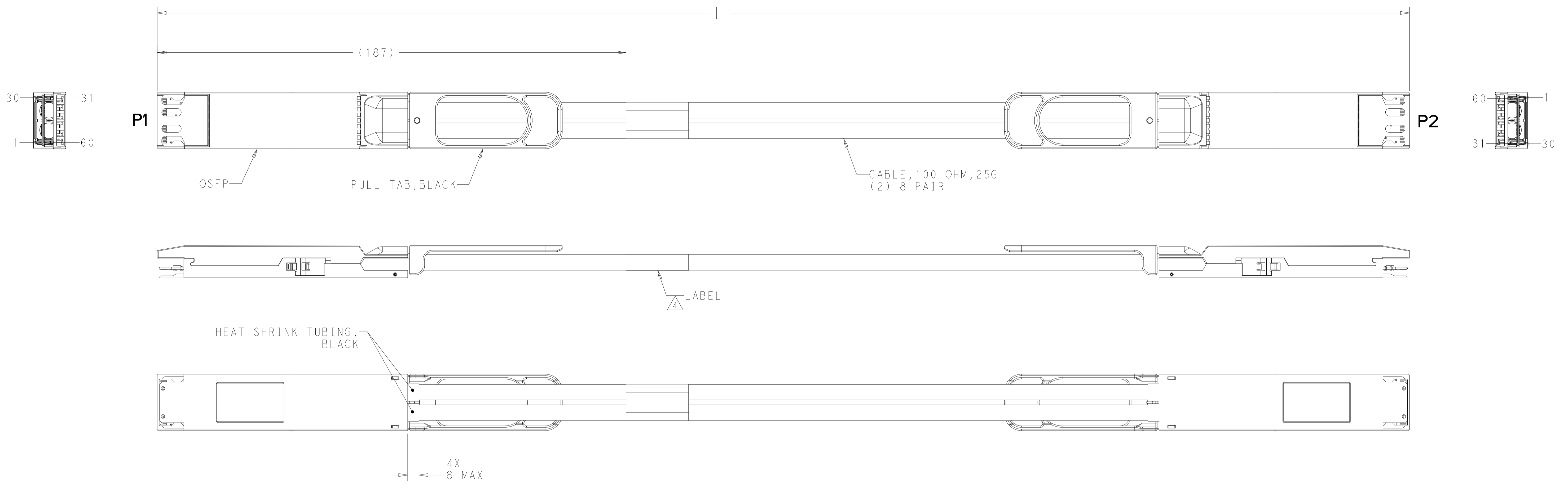
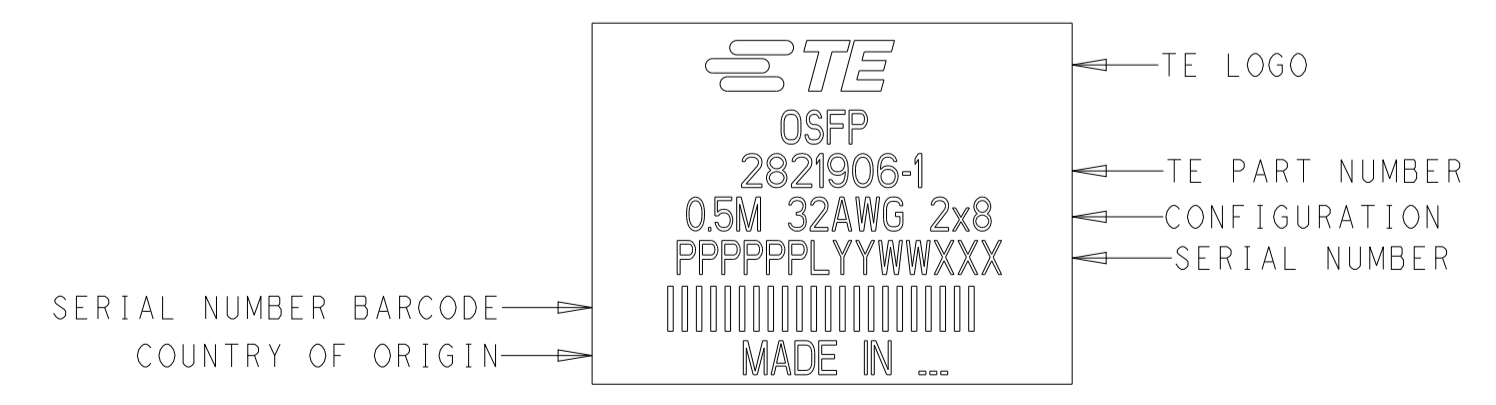


REVISIONS				
P	LTN	DESCRIPTION	DATE	APVD
A		RELEASED PER ECO-20-015523	30OCT2020	REH JW
A1		ECR-22-140867	31MAY2022	JW JW



- SEE SHEET 2 FOR WIRING SCHEMATIC.
- ALL MATERIALS, COMPONENTS AND PROCESSES COMPLY WITH TEC-138-702. (CONTAINS NO BANNED OR RESTRICTED SUBSTANCES).
- CABLE ASSEMBLIES ARE 100% TESTED FOR OPENS, SHORTS, HI-POT, AND PROPER EEPROM PROGRAM.

△ LABEL INFORMATION: -1 SHOWN.



△ DOES NOT MEET IEEE 802.3CD SPECIFICATION.

6. NO REACH SVHC SHALL BE CONTAINED ABOVE THE THRESHOLD AS DEFINED IN REACH SVHC COMPLIANCE DEFINITION IN ANNEX A OF TEC-138-702.

△5	5M 30AWG 2x8	5000±40	2-2821906-1
△5	4.5M 30AWG 2x8	4500±40	2-2821906-0
△5	4M 30AWG 2x8	4000±30	1-2821906-9
△5	3.5M 30AWG 2x8	3500±30	1-2821906-8
△5	3M 30AWG 2x8	3000±30	1-2821906-7
△5	2.5M 30AWG 2x8	2500±30	2821906-9
△5	2.0M 32AWG 2x8	2000±30	2821906-8
	2.0M 30AWG 2x8	2000±30	2821906-7
	1.5M 30AWG 2x8	1500±25	2821906-6
	1.0M 30AWG 2x8	1000±20	2821906-5
	0.5M 30AWG 2x8	500±20	2821906-4
	1.5M 32AWG 2x8	1500±25	2821906-3
	1.0M 32AWG 2x8	1000±20	2821906-2
	0.5M 32AWG 2x8	500±20	2821906-1
	CONFIGURATION	L	PART NO

THIS PRODUCT HAS NOT COMPLETED VALIDATION AND QUALIFICATION TESTING

THIS DRAWING IS A CONTROLLED DOCUMENT.

DIMENSIONS:	TOLERANCES UNLESS OTHERWISE SPECIFIED:	OWN T. SMITH 28MAR2017	TE Connectivity
mm	0 PLC ±	CHK E. CUESTA 28MAR2017	NAME CABLE ASSEMBLY, OSFP
	1 PLC ±	APVD E. CUESTA 28MAR2017	SIZE A1
	2 PLC ±	PRODUCT SPEC	CAGE CODE -
	3 PLC ±	APPLICATION SPEC	DRAWING NO C=2821906
	4 PLC ±	WEIGHT	RESTRICTED TO
	ANGLES FINISH	CUSTOMER DRAWING	SCALE 1:2 SHEET 1 OF 2 REV A1

REVISIONS				
P	LTN	DESCRIPTION	DATE	APVD
-		SEE SHEET 1	-	-

P1			P2	
GND	1		31	GND
TX2+	2	↔	32	RX2+
TX2-	3	↔	33	RX2-
GND	4		34	GND
TX4+	5	↔	35	RX4+
TX4-	6	↔	36	RX4-
GND	7		37	GND
TX6+	8	↔	38	RX6+
TX6-	9	↔	39	RX6-
GND	10		40	GND
TX8+	11	↔	41	RX8+
TX8-	12	↔	42	RX8-
GND	13		43	GND
SCL	14		44	INT_L/RESET_L
VCC	15		45	VCC
VCC	16		46	VCC
PRSNT_L	17		47	SDA
GND	18		48	GND
RX7-	19	↔	49	TX7-
RX7+	20	↔	50	TX7+
GND	21		51	GND
RX5-	22	↔	52	TX5-
RX5+	23	↔	53	TX5+
GND	24		54	GND
RX3-	25	↔	55	TX3-
RX3+	26	↔	56	TX3+
GND	27		57	GND
RX1-	28	↔	58	TX1-
RX1+	29	↔	59	TX1+
GND	30		60	GND

P1			P2	
GND	31		1	GND
RX2+	32	↔	2	TX2+
RX2-	33	↔	3	TX2-
GND	34		4	GND
RX4+	35	↔	5	TX4+
RX4-	36	↔	6	TX4-
GND	37		7	GND
RX6+	38	↔	8	TX6+
RX6-	39	↔	9	TX6-
GND	40		10	GND
RX8+	41	↔	11	TX8+
RX8-	42	↔	12	TX8-
GND	43		13	GND
INT_L/RESET_L	44		14	SCL
VCC	45		15	VCC
VCC	46		16	VCC
SDA	47		17	PRSNT_L
GND	48		18	GND
TX7-	49	↔	19	RX7-
TX7+	50	↔	20	RX7+
GND	51		21	GND
TX5-	52	↔	22	RX5-
TX5+	53	↔	23	RX5+
GND	54		24	GND
TX3-	55	↔	25	RX3-
TX3+	56	↔	26	RX3+
GND	57		27	GND
TX1-	58	↔	28	RX1-
TX1+	59	↔	29	RX1+
GND	60		30	GND

WIRING PATTERN

THIS PRODUCT HAS NOT COMPLETED VALIDATION AND QUALIFICATION TESTING

THIS DRAWING IS A CONTROLLED DOCUMENT.		OWN T. SMITH 28MAR2017	TE Connectivity	
DIMENSIONS:		CHK E. CUESTA 28MAR2017	NAME CABLE ASSEMBLY, OSFP	
mm	TOLERANCES UNLESS OTHERWISE SPECIFIED:	APVD E. CUESTA 28MAR2017	SIZE A1	CAGE CODE -
	0 PLC ± 1 PLC ± 2 PLC ± 3 PLC ± 4 PLC ± ANGLES ± FINISH ±	PRODUCT SPEC APPLICATION SPEC	DRAWING NO C=2821906	RESTRICTED TO
MATERIAL		WEIGHT	SCALE 1:2	SHEET 2 OF 2
		CUSTOMER DRAWING	REV A1	

Mouser Electronics

Authorized Distributor

Click to View Pricing, Inventory, Delivery & Lifecycle Information:

[TE Connectivity:](#)

[2821906-7](#) [2821906-2](#)