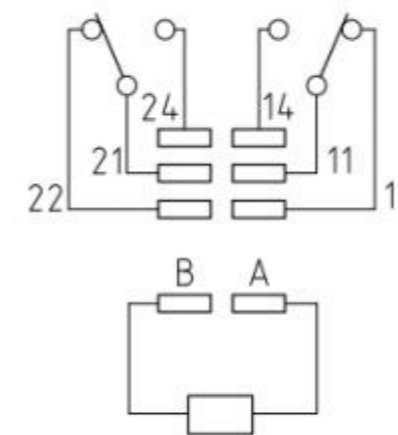
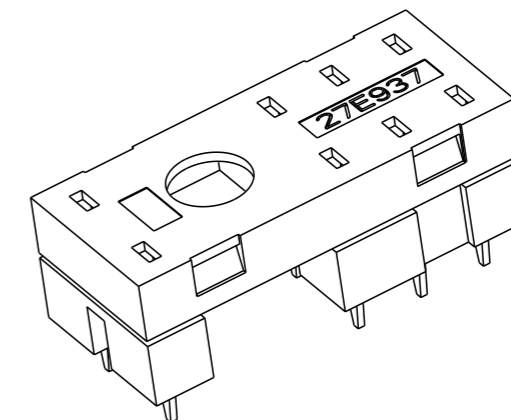
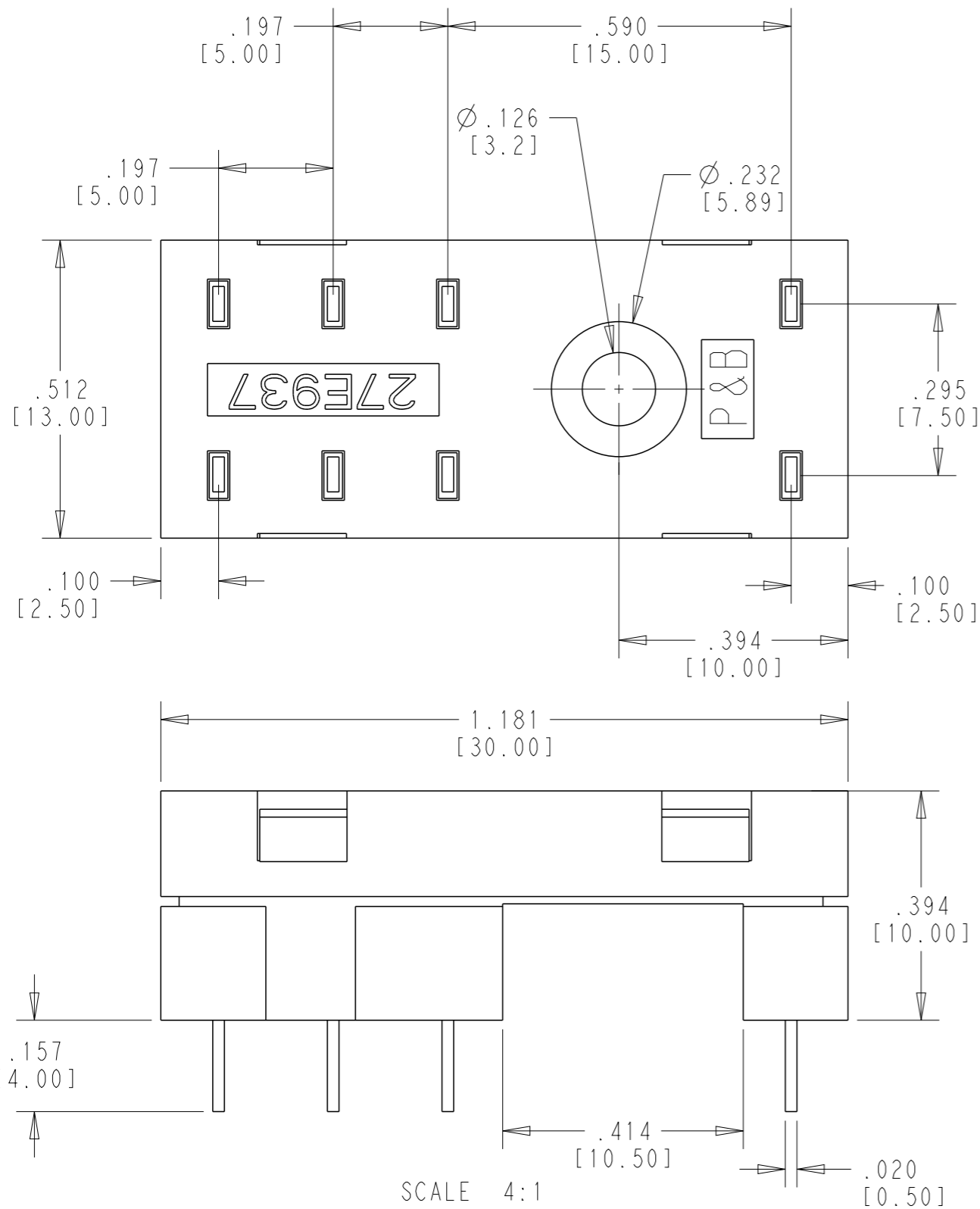
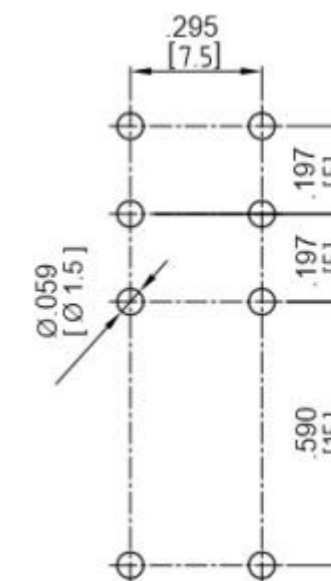


P	LTR	DESCRIPTION	DATE	DWN	APVD
	A	ECR-24-201422	22MAR2024	IS	RJ



WIRING DIAGRAM



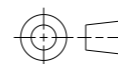
SUGGESTED PCB LAYOUT

SCALE 4:1

WORKING TEMPERATURE: -40°C TO +70°C.  
 RATING: 10A 250V (5A MAX EACH CHANGE OVER CONTACT)  
 INSULATION RESISTANCE: ≥ 1000 M OHM  
 DIELECTRIC STRENGTH: 2Kv - 50Hz/60s  
 BODY MouldING: PPE 25% GF  
 BODY COVER: NYLON PA6 20% GF V2  
 TERMINALS: TIN PLATED BRONZE  
 MOUNTING SCREW: M3 WITH DIN 84 HEAD OR #4-40 WITH BINDER HEAD

THIS DRAWING IS A CONTROLLED DOCUMENT.

DIMENSIONS: in [mm] TOLERANCES UNLESS OTHERWISE SPECIFIED:



0 PLC ±.  
 1 PLC ±.1  
 2 PLC ±.01  
 3 PLC ±.005  
 4 PLC ±.0001  
 ANGLES ±.

MATERIAL FINISH

DWN I. SALAZAR 22MAR2024

CHK R. JIMENEZ 22MAR2024

APVD R. JIMENEZ 22MAR2024

PRODUCT SPEC -

APPLICATION SPEC -

WEIGHT -

CUSTOMER DRAWING

TE CONNECTIVITY PART NUMBER: 3-1419106-0



NAME 27E937  
 SOCKET, RK, 8, PC, THPLAS, B

SIZE A3 CAGE CODE 00779 DRAWING NO. C-27E937-C RESTRICTED TO -

SCALE 4:1 SHEET 1 OF 1 REV A

# Mouser Electronics

Authorized Distributor

Click to View Pricing, Inventory, Delivery & Lifecycle Information:

[TE Connectivity:](#)

[27E937](#)