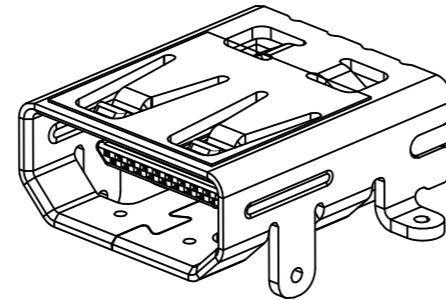
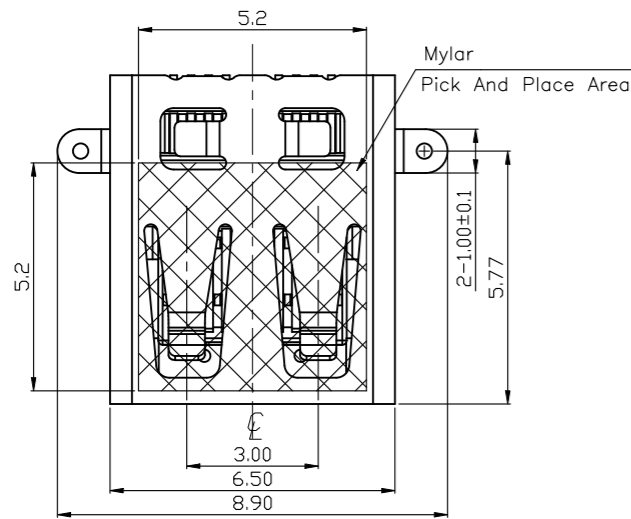


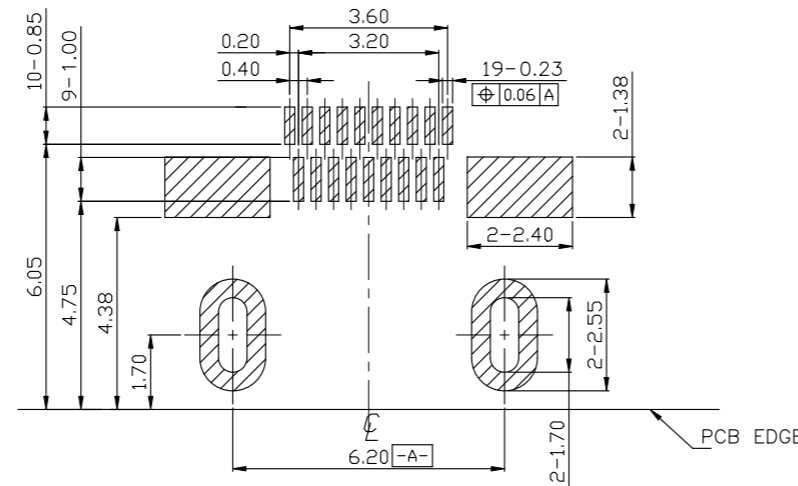
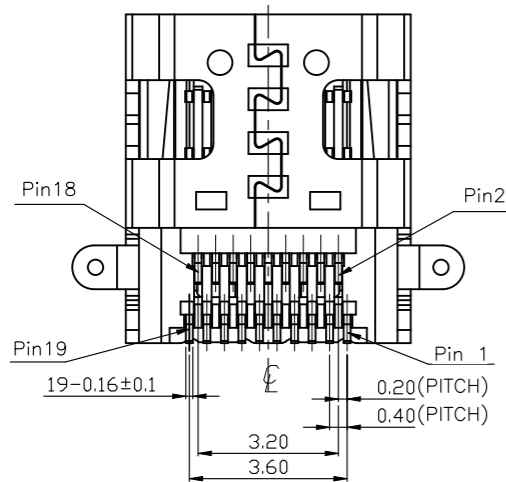
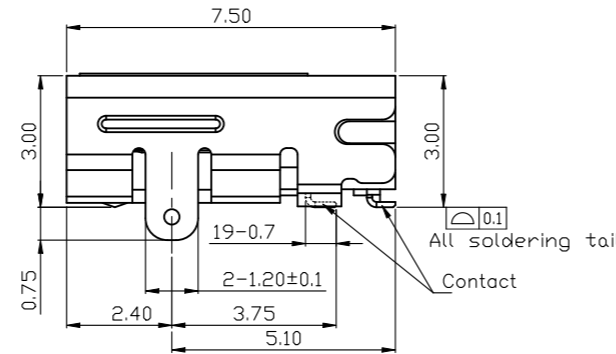
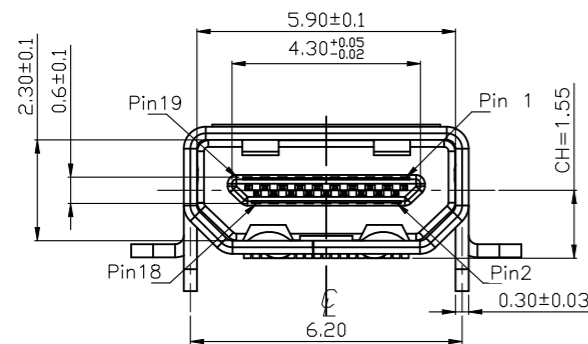
REVISIONS

P	LTR	DESCRIPTION	DATE	DWN	APVD
A		REVISED PER ECN-24-291266	30OCT2024	TR	GA



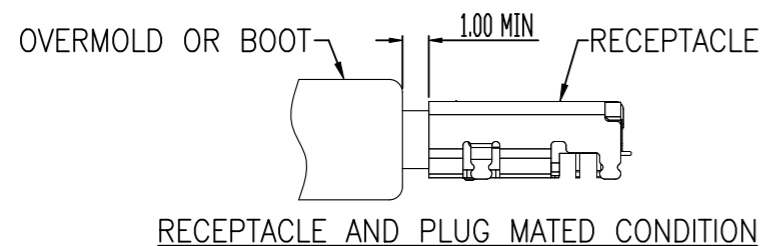
NOTE:

- MATERIALS AND FINISH**
 INSULATOR : LCP BK UL-94V0,
 COVER:LCP UL-94V0
 SHELL : BRASS, NICKEL PLATED
 CONTACT MATERIAL : BRASS, SELECTIVE GOLD FINISH
- ELECTRICAL CHARACTERISTICS**
 CONTACT CURRENT RATING : 0.5 AMPS
 CONTACT VOLTAGE RATING:40VAC
 CONTACT RESISTANCE :20 MILLIOHMS MAX.
 DIELECTRIC WITHSTANDING VOLTAGE : 500 V AC MIN.
 INSULATION RESISTANCE : 100 MEGAOHMS MIN.
- MECHANICAL**
 MATING FORCE:4.5Kgf MAX.
 UNMATING FORCE:1.0 Kgf MIN
 DURABILITY LIFE: 5,000 Cycles;
- ENVIRONMENTAL**
 TEMPERATURE RATING : -20°C ~ +85°C



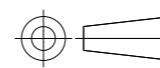
RECOMMENDED PCB LAYOUT(TOP VIEW)
(TOLERANCE: ±0.05mm)

PIN	Signal Assignment	PIN	Signal Assignment
1	Hot Plug Detect	2	Utility
3	TMDS Data2+	4	TMDS Data2 Shield
5	TMDS Data2-	6	TMDS Data1+
7	TMDS Data1 Shield	8	TMDS Data1-
9	TMDS Data0+	10	TMDS Data0 Shield
11	TMDS Data0-	12	TMDS Clock+
13	TMDS Clock Shield	14	TMDS Clock-
15	CEC	16	DDC/CEC Ground
17	SCL	18	SDA
19	+5V Power		



THIS DRAWING IS A CONTROLLED DOCUMENT.

DIMENSIONS:
mm



MATERIAL: -

TOLERANCES UNLESS OTHERWISE SPECIFIED:

0 PLC	± 0.35
1 PLC	± 0.30
2 PLC	± 0.25
3 PLC	± -
4 PLC	± -
ANGLES	± 2'

FINISH: -

DWN TARUN, R 18SEP2024

CHK GIRIDHAR, VA 20SEP2024

APVD RAGHAVAN, CG 20SEP2024

PRODUCT SPEC

108-161524

APPLICATION SPEC

WEIGHT 0

CUSTOMER DRAWING

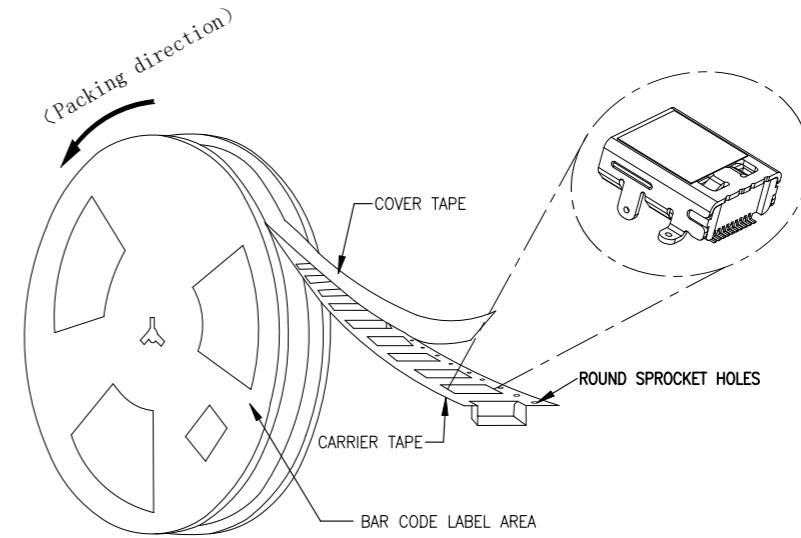
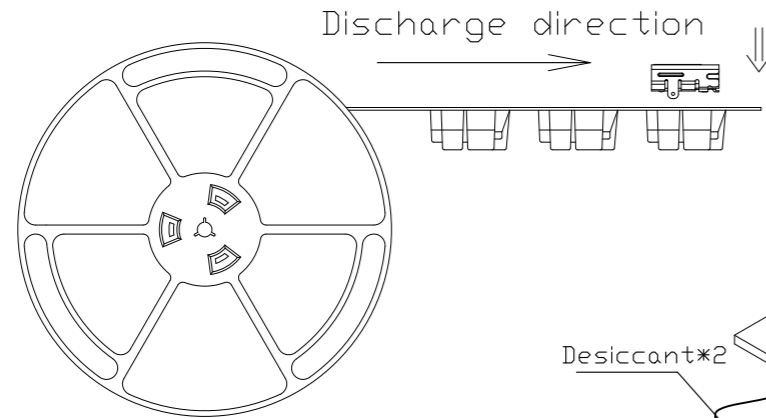
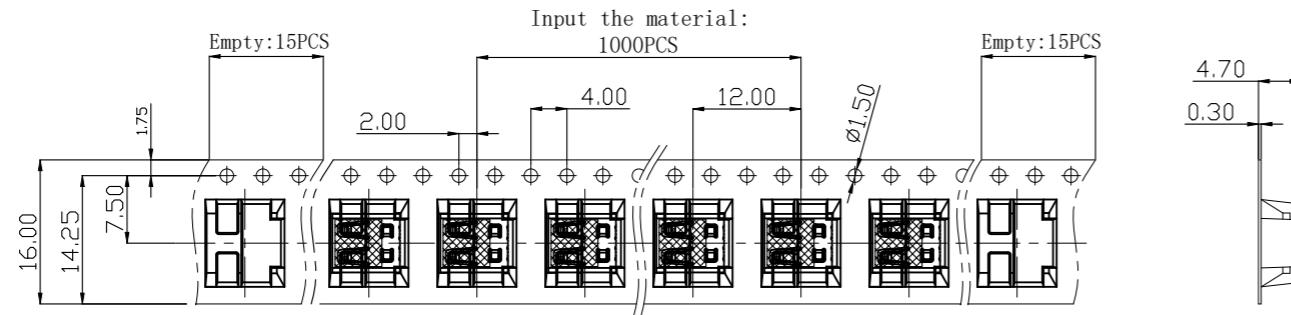
TE Connectivity

NAME: HDMI 19P 3.00H DF STD DIP+SMT CONN

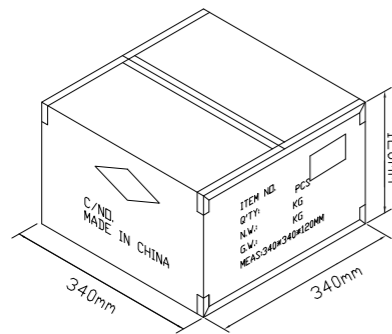
SIZE: A3 CAGE CODE: 00779 DRAWING NO: C-2494821 RESTRICTED TO: -

SCALE: 1:1 SHEET: 1 OF 2 REV: A

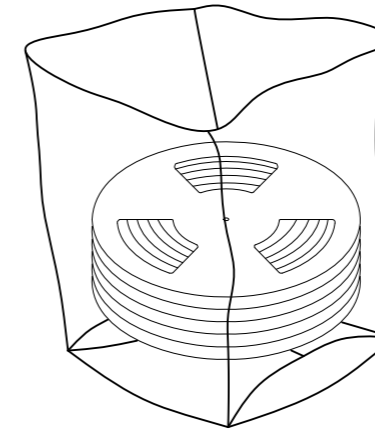
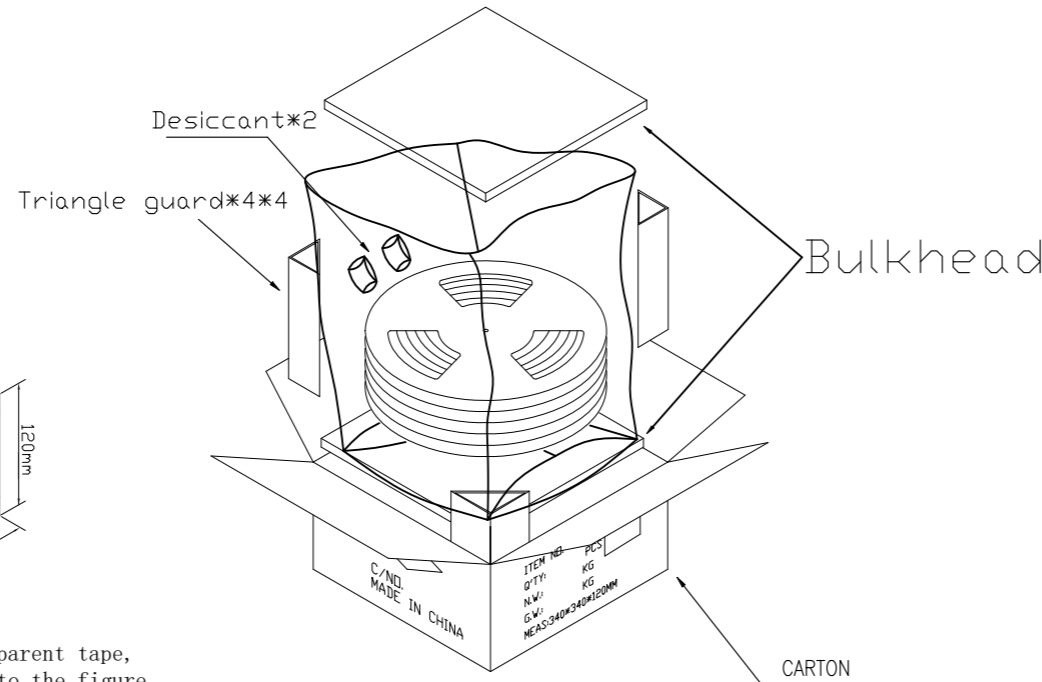
P	LTR	DESCRIPTION	DATE	DWN	APVD
-	-	SEE SHEET 1	-	-	-



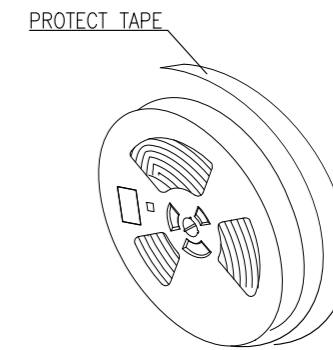
① Per volume 1000PCS



After sealing the case with transparent tape, attach various labels according to the figure



Every 1 plates in a waterproof bag, That is 1000PCS/ bag



Note:

1. Each plate contains 1000PCS of products.
2. Each 1 plates of products (1000PCS) into a moisture-proof bag
3. Each bag (1000PCS) is packed in one box
4. Outer box size and specification: 340*340*120mm
5. All kinds of labels need to be posted according to the position shown.
6. The carrier belt is heat-sealed packaging

Each bag (1 trays) is packed in one box, that is, 1000PCS/ box

THIS DRAWING IS A CONTROLLED DOCUMENT.		DWN TARUN, R 18SEP2024	TE Connectivity		
		CHK GIRIDHAR, VA 20SEP2024			
		APVD RAGHAVAN, CG 20SEP2024	NAME HDMI 19P 3.00H DF STD DIP+SMT CONN		
DIMENSIONS: mm		TOLERANCES UNLESS OTHERWISE SPECIFIED:		PRODUCT SPEC 108-161524	
		0 PLC ± 0.35 1 PLC ± 0.30 2 PLC ± 0.25 3 PLC ± - 4 PLC ± - ANGLES ± 2		APPLICATION SPEC -	
MATERIAL -		FINISH -		WEIGHT -	
CUSTOMER DRAWING			SIZE A3	CAGE CODE 00779	DRAWING NO C-2494821
			RESTRICTED TO -	SCALE 1:1	SHEET 2 OF 2
			REV A		

Mouser Electronics

Authorized Distributor

Click to View Pricing, Inventory, Delivery & Lifecycle Information:

[TE Connectivity:](#)

[2494821-1](#)