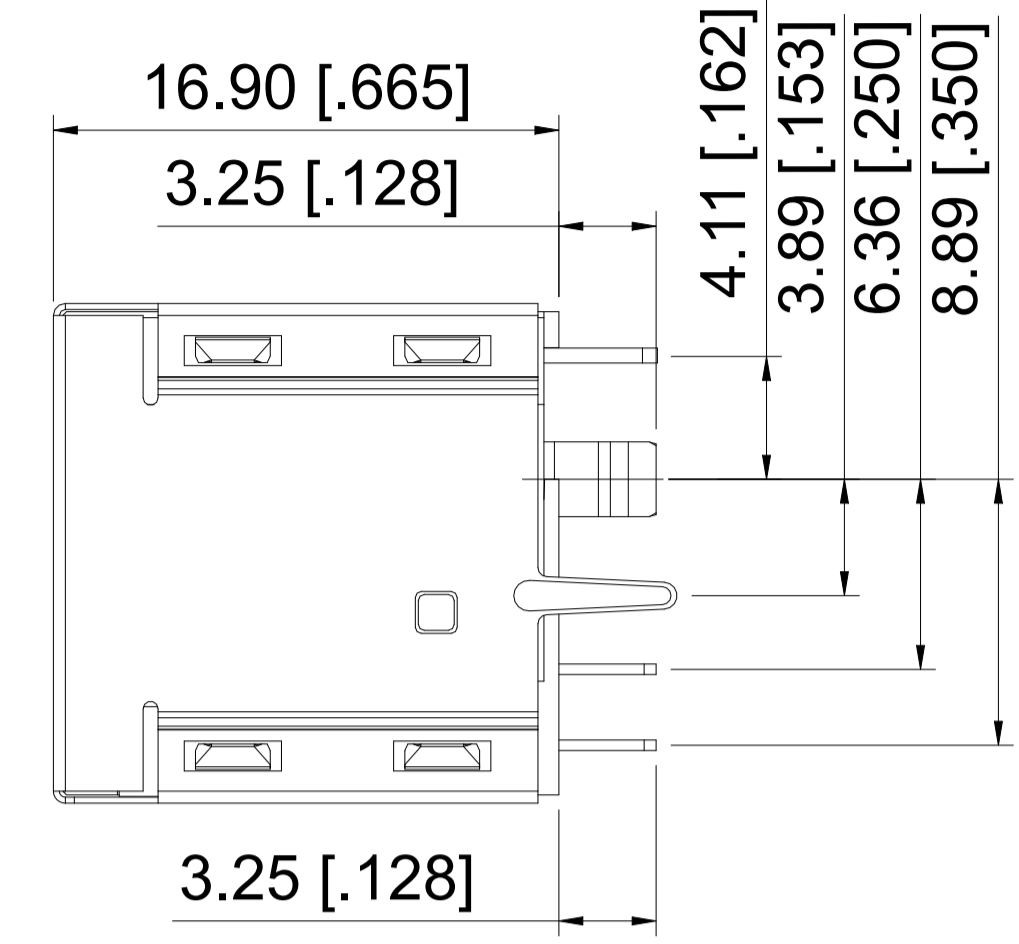
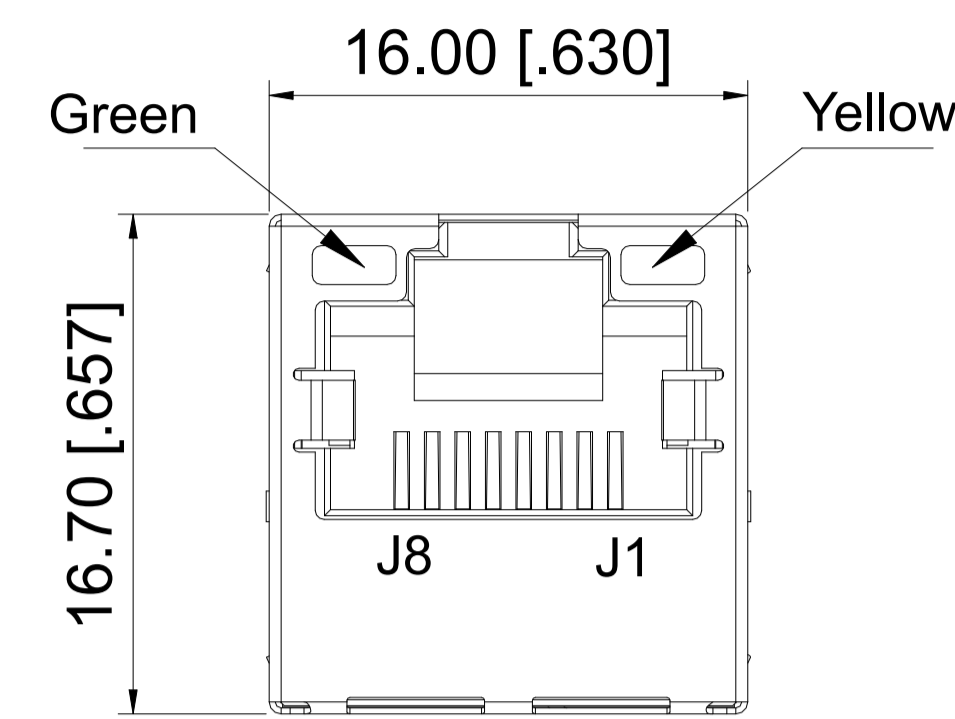
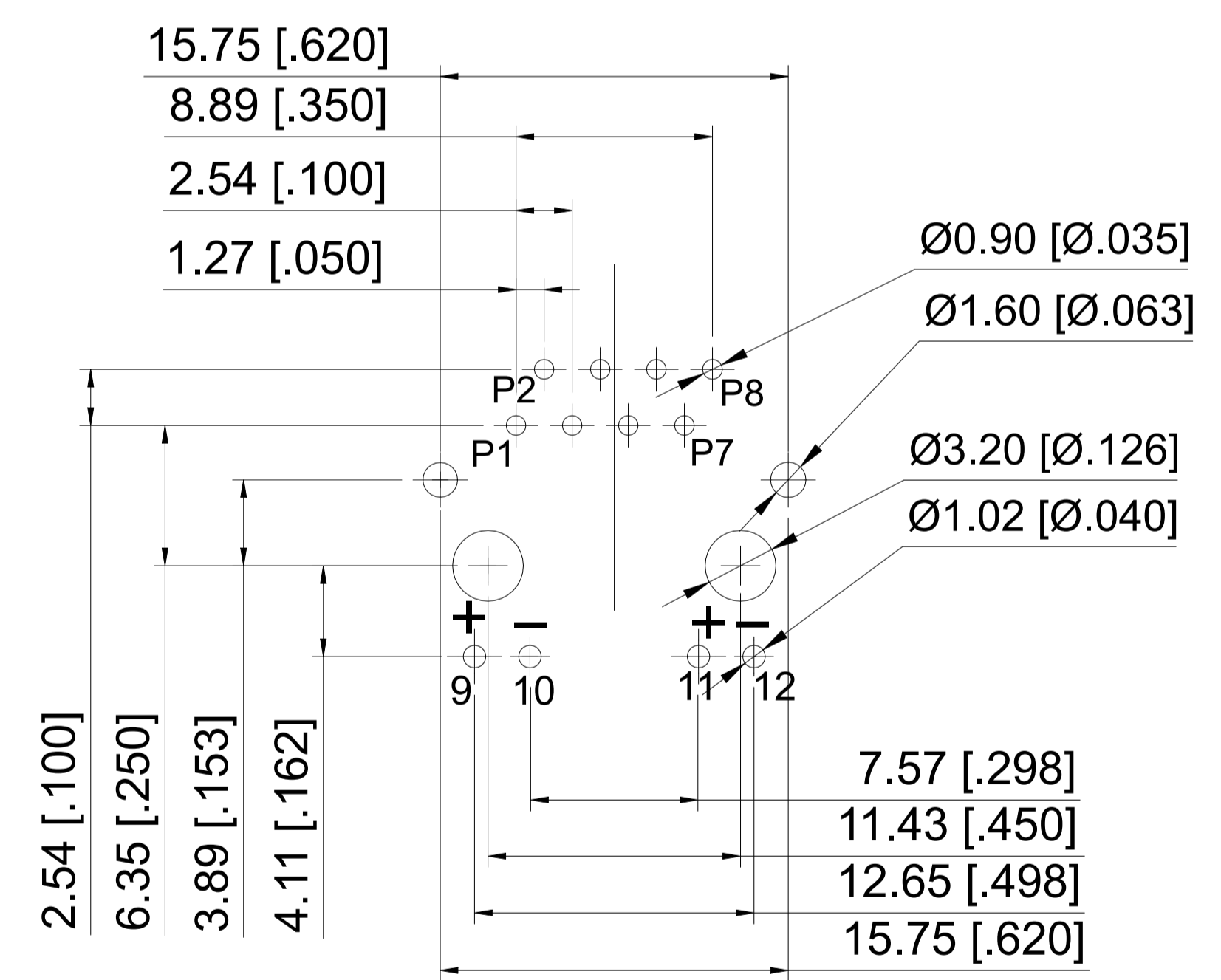
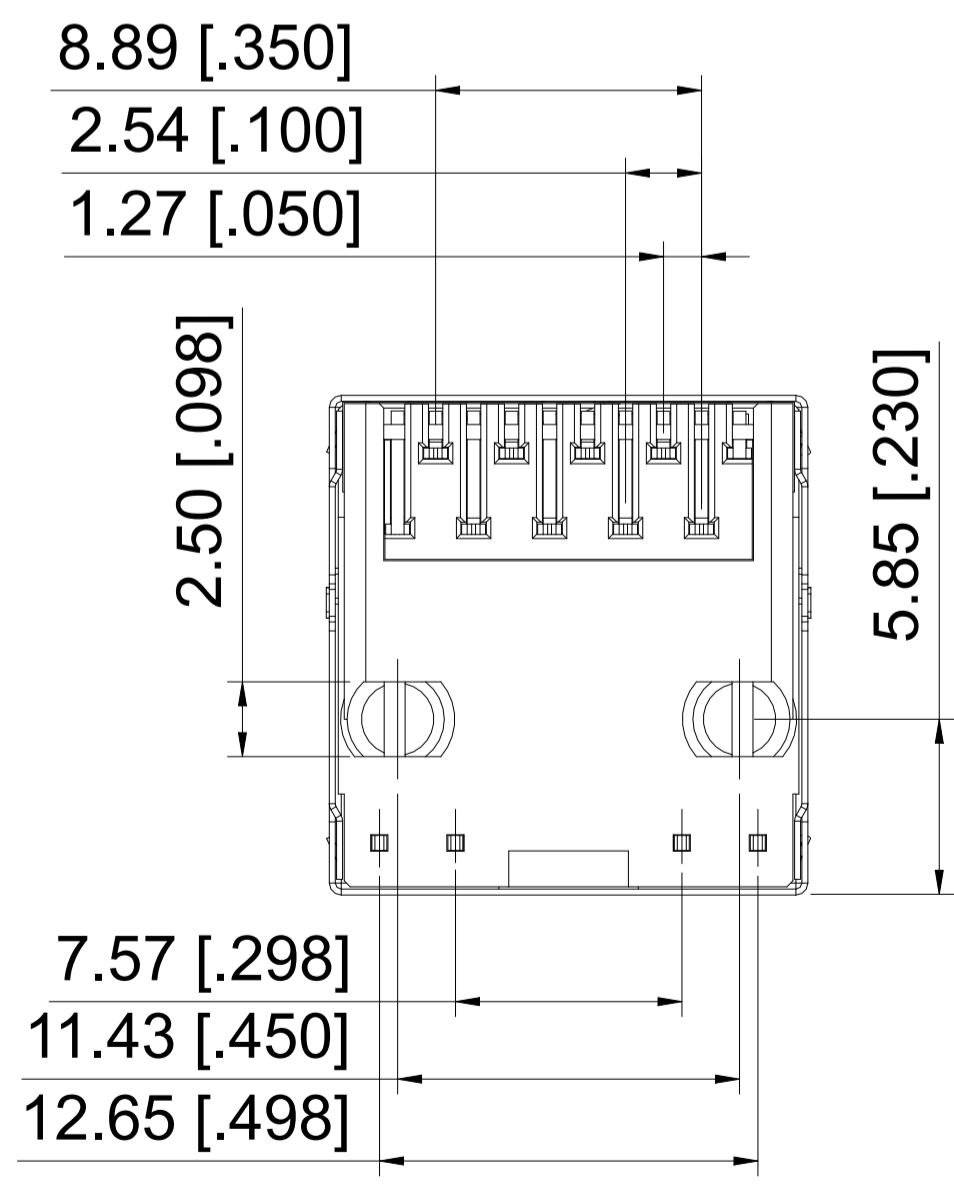
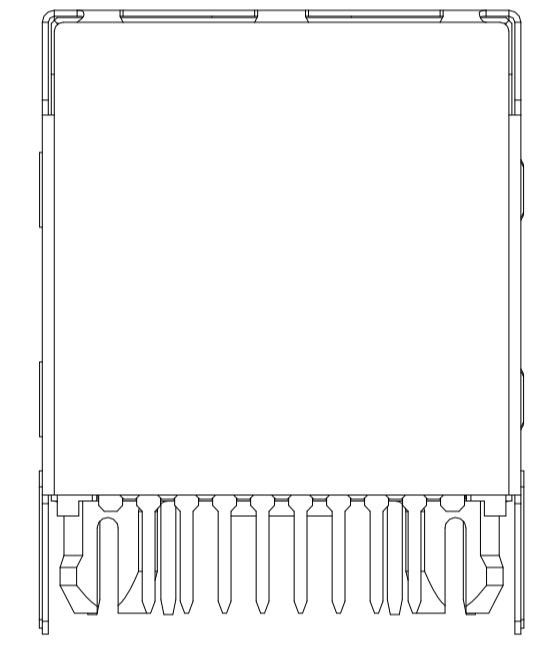


REVISIONS				
REV	DATE	DESCRIPTION	BY	APP'D
A	11JUL2024	INITIAL RELEASE	RK	PSS



NOTES:

- 1.HOUSING MATERIAL:GLASS FILLED PA46(BLACK) UL94V-0(ROHS)
- 2.CONTACT: PHOSPHOR BRONZE,50 MICROINCHES MIN. OVERALL DUCTILE NICKEL UNDERPLATE WITH SELECTED (REFER P/N TABLE) GOLD AT MATING INTERFACE
- 3.SHIELD:0.2mm THICKNESS WITH BRASS.
- 4.JACK CAVITY CONFORMS TO FCC RULES AND REGULATIONS PART 68 SUBPART F
- 5.THE PART IS RECOMMENDED FOR WAVE SOLDERING PROCESS PEAK SOLDERING TEMPERATURE IS 260°C MAX,10 SECS MAX.
- 6.OPERATING TEMPERATURE:-40°C TO +85°C. STORAGE TEMPERATURE:-40°C TO +85°C.



RECOMMENDED P.C.B LAYOUT TOP VIEW (COMPONENT SIDE)
 Dimension Tolerances: PCB LAYOUT
 Tolerances:±0.05[0.002]

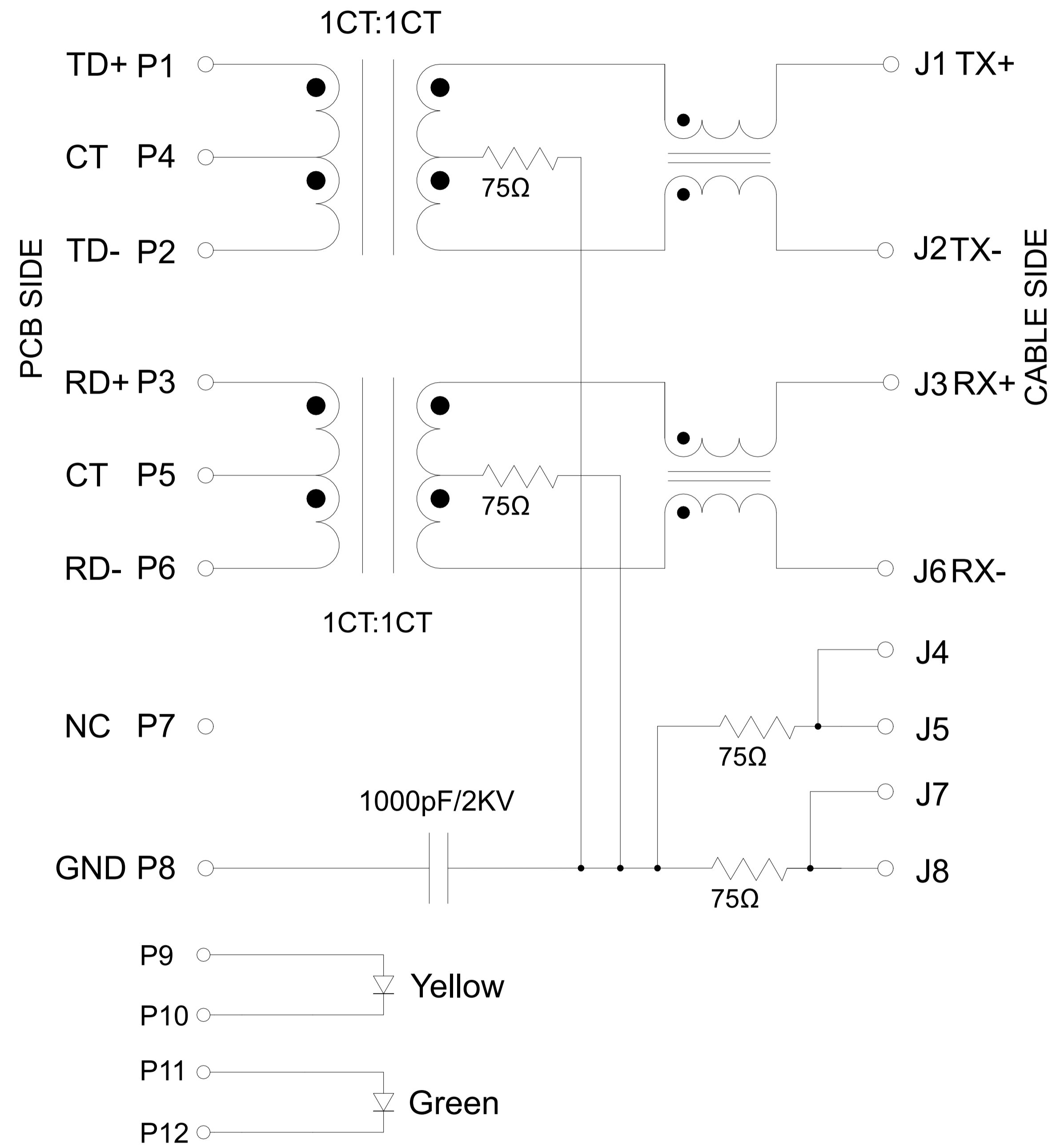
GOLD PLATING THICKNESS	PART NUMBER
GF	2488983-6
0.0762 μm [3μ"]	2488983-5
0.1524 μm [6μ"]	2488983-4
0.381 μm [15μ"]	2488983-3
0.762 μm [30μ"]	2488983-2
1.27 μm [50μ"]	2488983-1

THIS DRAWING IS A CONTROLLED DOCUMENT.

DIMENSIONS: mm [INCHES]	TOLERANCES UNLESS OTHERWISE SPECIFIED: 0. PLC ± 0.10 1. PLC ± 0.25 2. PLC ± 0.25 3. PLC ± 0.25 4. PLC ± 0.25 ANGLES ± 2°	DWG: RAMESH_KIVADER 13JUN2024 CHK: RAMESH_KIVADER 13JUN2024 APVD: PPS_SATHISH 13JUN2024 PRODUCT SPEC: - APPLICATION SPEC: - WEIGHT: 0 CUSTOMER DRAWING: -	NAME: RJ45 1X1 Vertical/Through Hole 10/100Base-T W/LED SIZE: A1 CAGE CODE: 00779 DRAWING NO: 2488983 SCALE: 1:1 SHEET: 1 of 2 REV: A
----------------------------	--	---	---

TE Connectivity

Schematic



PARAMETER	SPECIFICATIONS
OPERATING TEMPERATURE	-40°C To +85°C
TURNS RATIO	1:1±2%
INDUCTANCE(OCL)	350uH MIN@100KHz/100mV With 8mA DC Bias
INSERTION LOSS	-1.0dB MAX@0.3MHz-100MHz;
RETURN LOSS (Z out=100 OHM)	-18dB MIN@1MHz-30MHz; -16dB MIN@30MHz-60MHz; -12dB MIN@60MHz-80MHz; -10dB MIN@80MHz-100MHz;
CROSSTALK (ADJACENT CHANNELS)	-30dB MIN@1MHz-100MHz;
COMMON MODE REJECTION RATIO	-30dB MIN@1MHz-100MHz;
HI-POT	2250 VDC@60 SECONDS

LED SPECIFICATION			
STANDARD LED	WAVELENGTH	Farward V(max)	TYP
GREEN	570nm	2.4V	2.2V
YELLOW	590nm	2.5V	2.1V

*WITH A FORWARD CURRENT OF 20mA

REVISIONS				
REV	DATE	DESCRIPTION	BY	APP'D
-	-	SEE SHEET 1	-	-

THIS DRAWING IS A CONTROLLED DOCUMENT.		DIM: RAMESH_KIVADER 1.3JUN2024 CHK: RAMESH_KIVADER 1.3JUN2024 APVD: P.S. SATHISH 1.3JUN2024 PRODUCT SPEC: - APPLICATION SPEC: - MATERIAL: - FINISH: -		NAME: RJ45 1X1 Vertical/Through Hole 10/100Base-T W/LED SIZE: A1 CAGE CODE: 00779 DRAWING NO: C=2488983 WEIGHT: - CUSTOMER DRAWING: -		RESTRICTED TO: - SCALE: 1:1 SHEET: 2 OF 2 REV: A	
--	--	--	--	--	--	---	--

Mouser Electronics

Authorized Distributor

Click to View Pricing, Inventory, Delivery & Lifecycle Information:

[TE Connectivity:](#)

[2488983-2](#)