

P	LTR	DESCRIPTION	DATE	DWN	APVD
A		ECN-24-279991;GTP	19AUG2024	TP	WH

NOTES:

ALL DIMENSIONS ARE NOMINAL FOR REFERENCE ONLY UNLESS OTHERWISE STATED;

RoHS: COMPLIANT.

SPECIFICATIONS:

IMPEDANCE: 50Ω

FREQUENCY: DC to 18GHz

VSWR/RL: 1.28 max./ 18.22 dB min.

INSERTION LOSS: 0.26 dB max.

DIELECTRIC WITHSTANDING VOLTAGE: 1000 VRMS

CONTACT RESISTANCE:

CENTER: 10 milliohms max.

OUTER: 2 milliohms max.

INSULATION RESISTANCE: 5000 MΩ

TEMPERATURE RANGE: -65°C TO +165°C

ENGAGEMENT AND DISENGAGEMENT FORCE:

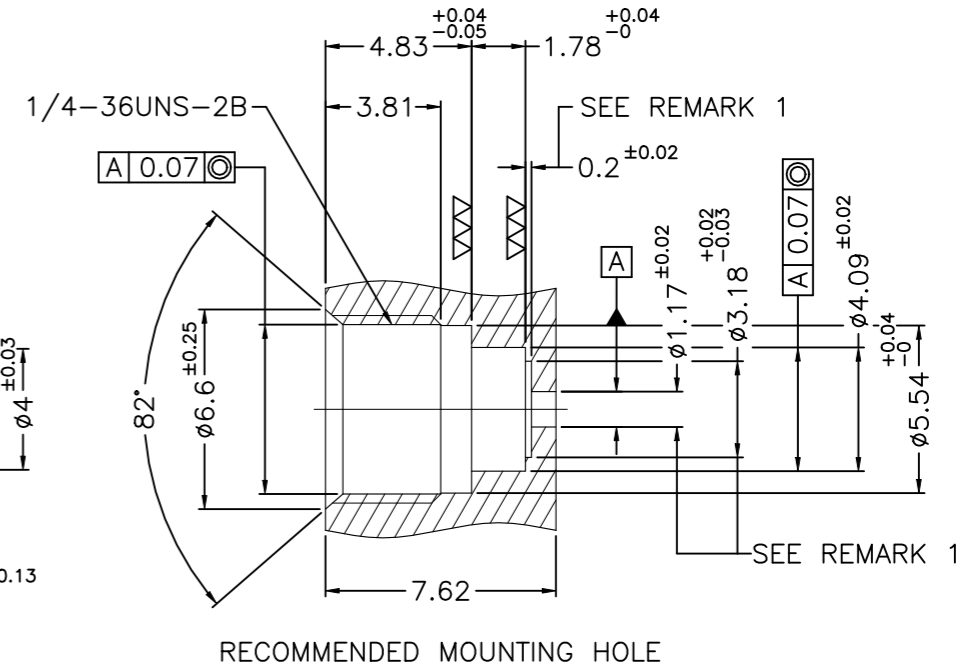
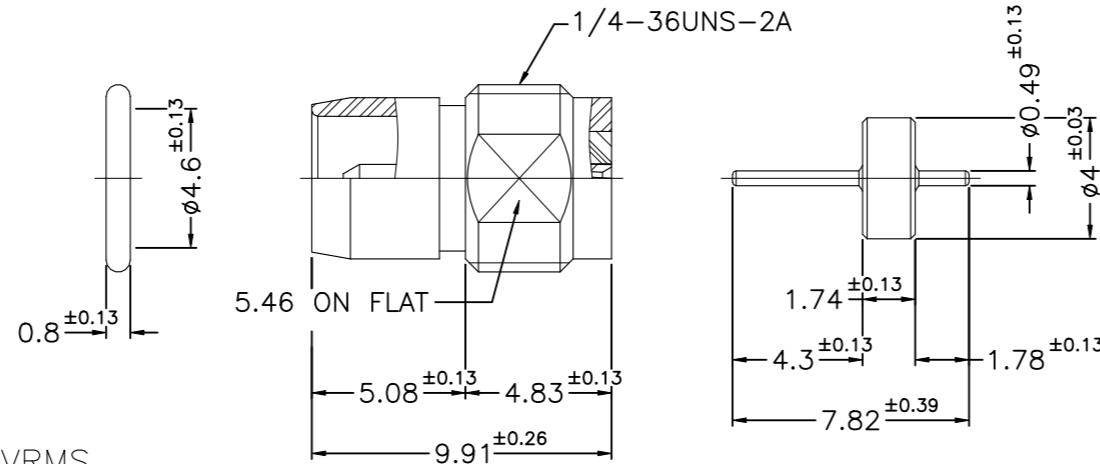
ENGAGEMENT: 3 lbs max.

DISENGAGEMENT: 1.5 lbs max.

CONTACT RETENTION: 6 lbs. min.

LEAK TEST: 1X10-8 atm.cc/sec

PRODUCT WEIGHT: 1.13g

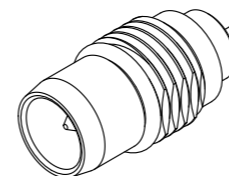


REMARK 1: OR PER CUSTOMER APPLICATION

NOTES:

FINISH (PLATING THICKNESS IN MICRO-INCHES)

- PASSIVATED
- GOLD PL. 50 MIN. THICK OVER ELECTROLESS NICKEL PL. 100 MIN. THICK



QTY	DESCRIPTION	MATERIAL	FINISH/PLATING	ITEM
1	NOTE 2	RON-NIC-COBALT		GLASS BEAD 5
1	GREEN	Neg BH-14G/K		
1	NOTE 2	RON-NIC-COBALT		GASKET 4
1	LIGHT BLUE	FLUROSILICONE		
1	NOTE 2	BERYLLIUM-COP		CONTACT PIN 3
1	NATURAL	PTFE		
1	NOTE 1	STAINLESS STEEL		HOUSING 1
2485929-1	FINISH/PLATING	MATERIAL	DESCRIPTION	

THIS DRAWING IS A CONTROLLED DOCUMENT.		DWN TP 5JUL2024	TE Connectivity BMA Plug St Hermetic Panel Feedthru 18 G				
DIMENSIONS: mm		CHK TP 5JUL2024				NAME	
TOLERANCES UNLESS OTHERWISE SPECIFIED:		APVD WH 5JUL2024				PRODUCT SPEC	
0 PLC ± 0.3 1 PLC ± 0.2 2 PLC ± 0.1 3 PLC ± 0.05 4 PLC ± - ANGLES ± 5		APPLICATION SPEC					
MATERIAL SEE TABLE		FINISH SEE TABLE	WEIGHT 1.13g	SIZE A3	CAGE CODE 00779		
CUSTOMER DRAWING			DRAWING NO C-2485929	RESTRICTED TO			
			SCALE 1:1	SHEET 1 OF 1	REV A		

Mouser Electronics

Authorized Distributor

Click to View Pricing, Inventory, Delivery & Lifecycle Information:

[TE Connectivity:](#)

[2485929-1](#)