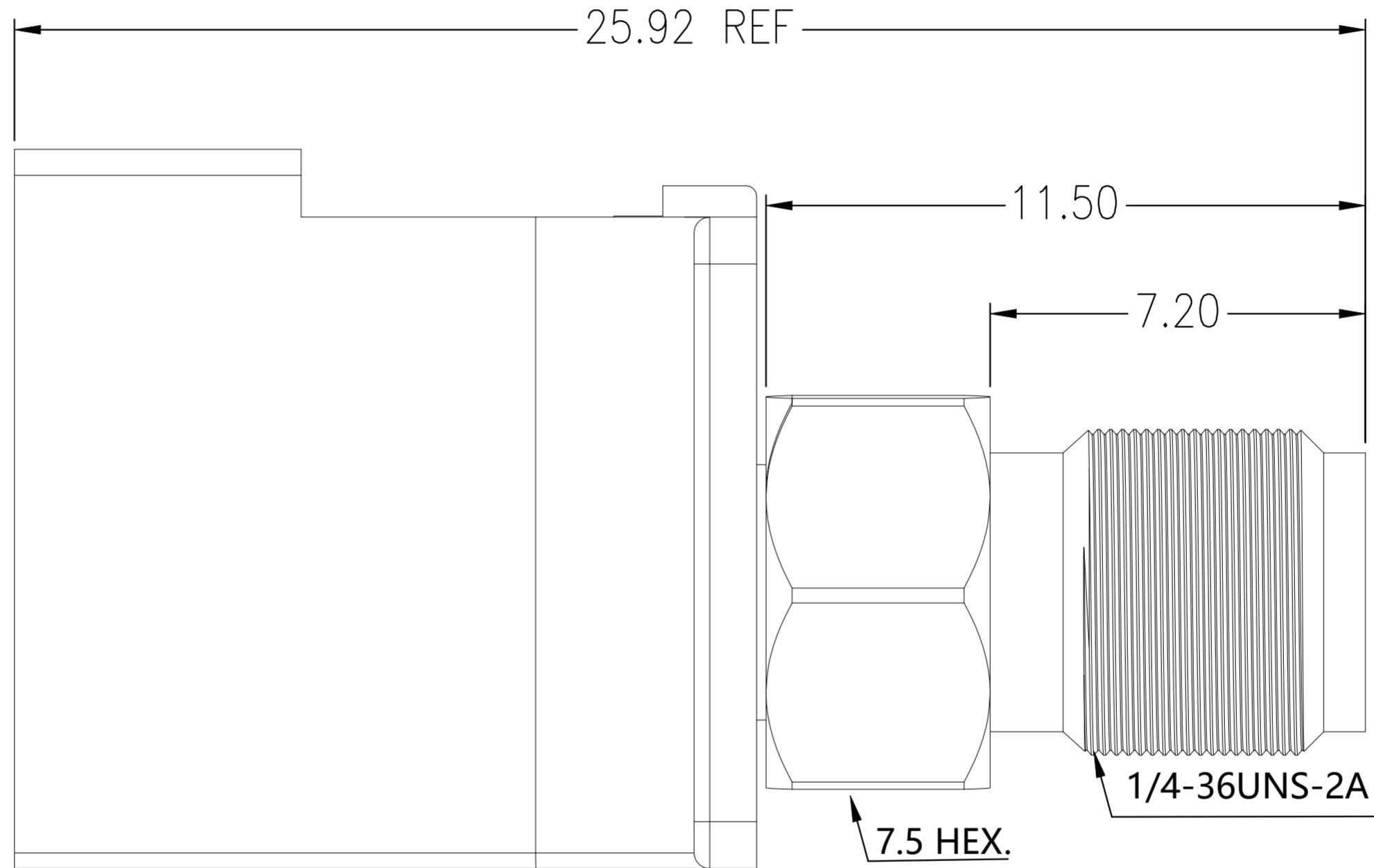
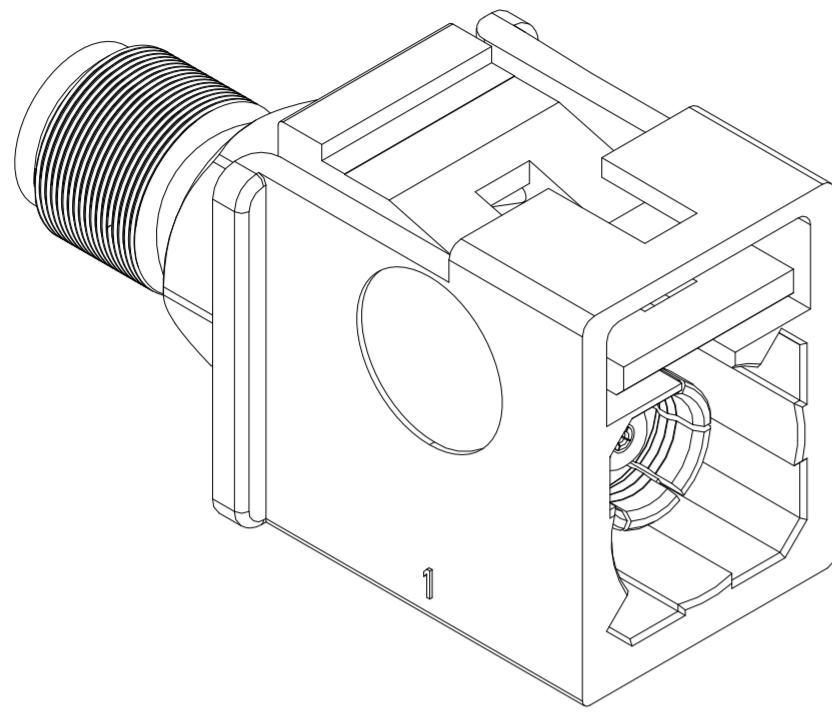


REVISIONS					
P	LTR	DESCRIPTION	DATE	DWN	APVD
	A	GTP PER ECN-24-292365	07NOV2024	ED	WH



NOTES:

- 1 PACK IN ACCORDANCE WITH TE SPEC 107-3275;
- 2 ALL DIMENSIONS ARE NOMINAL FOR REFERENCE ONLY UNLESS OTHERWISE STATED;
- 3 ELECTRICAL CHARACTERISTICS :  
 FREQUENCY RANGE : DC-10GHz  
 NOMINAL IMPEDANCE : 50 OHMS  
 INSULATION RESISTANCE : 1000 MOHMS  
 WORKING VOLTAGE : 250 VRMS MAX  
 DIELECTRIC WITHSTANDING VOLTAGE : 800 VOLTS MAX  
 VSWR : 1.15(DC-6GHz)  
 CONTACT RESISTANCE :  
     CENTER CONTACT : 10 mOHMS MAX  
     OUTER CONTACT : 7.5 mOHMS MAX;
- 4 MECHANICAL CHARACTERISTICS :  
 DURABILITY : 500 CYCLES  
 MATING FORCE : 25N MAX;  
 DISENGAGEMENT FORCE : 2N MIN;  
 CONNECTOR DISENGAGEMENT FORCE WITH LOCK : 110N MIN;  
 UNMATING FORCE WITH DISENGAGED : 75N MAX;
- 5 TEMPERATURE RANGE: -40°-+105°;
- 6 RoHS: COMPLIANT.

QTY	DESCRIPTION	MATERIAL	DESCRIPTION	ITEM
1	/	BeCu	SPRING	5
1	/	PA66+30%GF	SHELL	4
1	GOLD 3u"/NICKEL/COPPER	BeCu	CONTACT PIN	3
1	NATURAL	PTFE	INSULATOR	2
1	NICKEL 100u"	BRASS	BODY	1
2474535-1	PLATING	MATERIAL	DESCRIPTION	ITEM

QUANTITY PER ASSY PARTS LIST

THIS DRAWING IS A CONTROLLED DOCUMENT.		DWN ED 16OCT2023	<b>TE</b> TE Connectivity	
DIMENSIONS: mm		CHK ED 16OCT2023		
TOLERANCES UNLESS OTHERWISE SPECIFIED:		APVD WH 16OCT2023	NAME ADAPTER,SMA F TO FAKRA SMB F, STRAIGHT,W Z HOUSING,6GHz	
0 PLC ± -		PRODUCT SPEC	-	
1 PLC ± 0.3		APPLICATION SPEC	-	
2 PLC ± 0.2		WEIGHT	-	
3 PLC ± 0.1		SCALE	A2 00779 C=2474535	
4 PLC ± - ± 5'		CUSTOMER DRAWING	SCALE 8:1	SHEET 1 OF 1
MATERIAL SEE TABLE		FINISH -	RESTRICTED TO	REV A

# Mouser Electronics

Authorized Distributor

Click to View Pricing, Inventory, Delivery & Lifecycle Information:

[TE Connectivity:](#)

[2474535-1](#)