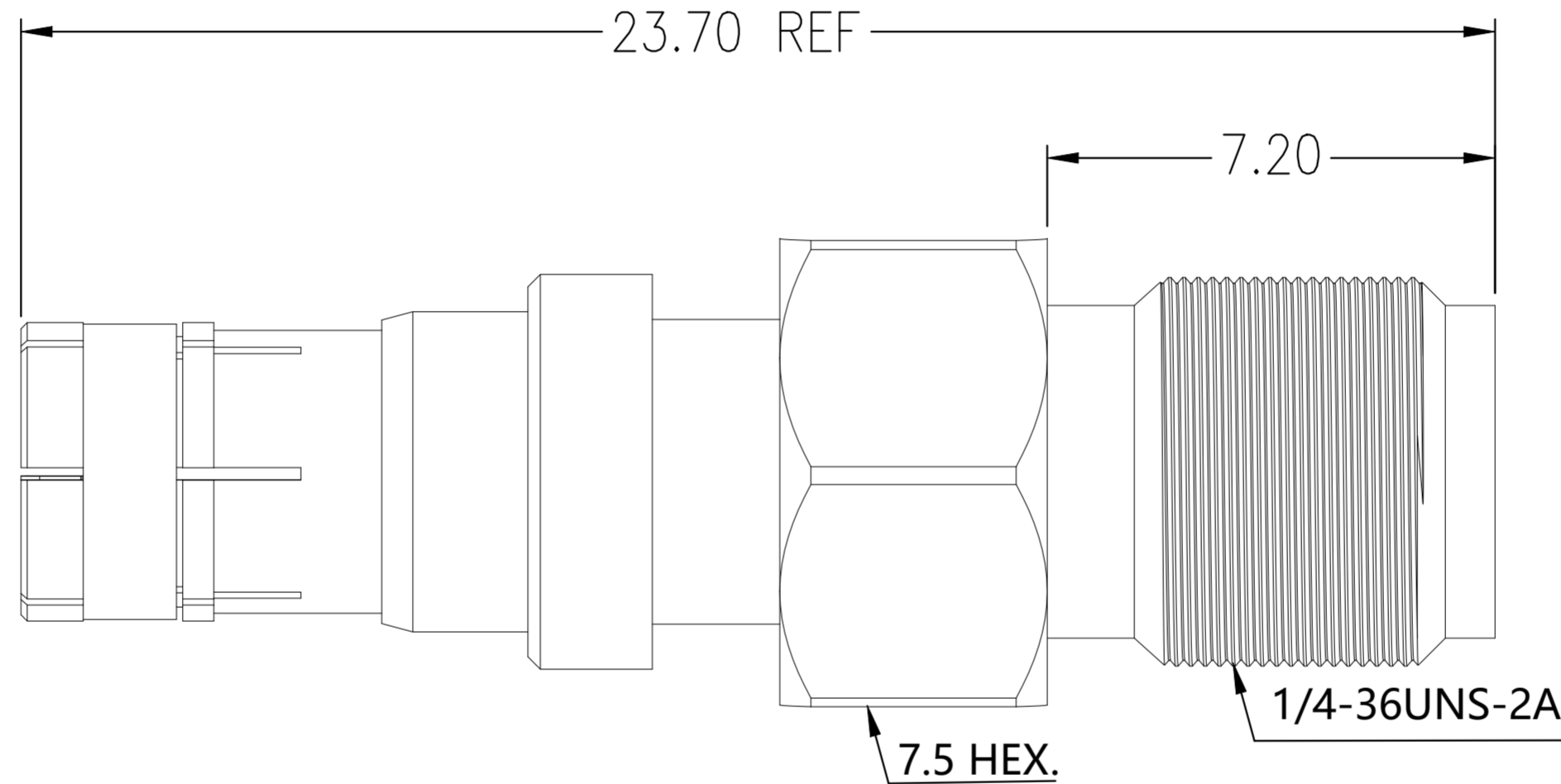
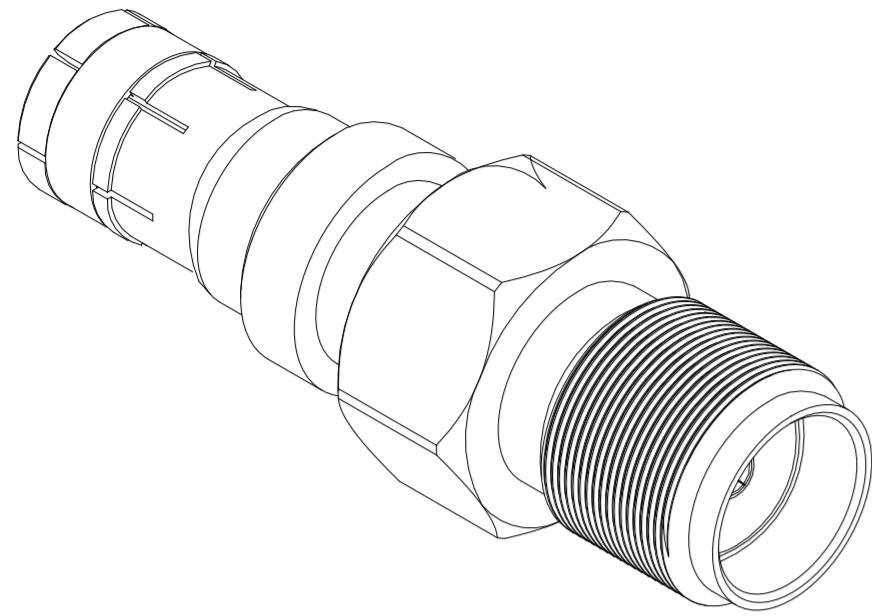


REVISIONS					
P	LTR	DESCRIPTION	DATE	DWN	APVD
	A	GTP PER ECN-24-292365	07NOV2024	ED	WH



NOTES:

- 1 PACK IN ACCORDANCE WITH TE SPEC 107-3275;
- 2 ALL DIMENSIONS ARE NOMINAL FOR REFERENCE ONLY UNLESS OTHERWISE STATED;
- 3 ELECTRICAL CHARACTERISTICS :
 FREQUENCY RANGE : DC-10GHz
 NOMINAL IMPEDANCE : 50 OHMS
 INSULATION RESISTANCE : 1000 MOHMS
 WORKING VOLTAGE : 250 VRMS MAX
 DIELECTRIC WITHSTANDING VOLTAGE : 800 VOLTS MAX
 VSWR : 1.15(DC-6GHz)
 CONTACT RESISTANCE :
 CENTER CONTACT : 10 mOHMS MAX
 OUTER CONTACT : 7.5 mOHMS MAX;
- 4 MECHANICAL CHARACTERISTICS :
 DURABILITY : 500 CYCLES
 MATING FORCE : 25N MAX;
 DISENGAGEMENT FORCE : 2N MIN;
 CONNECTOR DISENGAGEMENT FORCE WITH LOCK : 110N MIN;
 UNMATING FORCE WITH DISENGAGED : 75N MAX;
- 5 TEMPERATURE RANGE: -40°-+105°;
- 6 RoHS: COMPLIANT.

	1	-	BeCu	SPRING	4
	1	GOLD 3u"/NICKEL/COPPER	BeCu	CONTACT PIN	3
	1	NATURAL	PTFE	INSULATOR	2
	1	NICKEL 100u"	BRASS	BODY	1
	2474533-1	PLATING	MATERIAL	DESCRIPTION	ITEM

QUANTITY PER ASSY

PARTS LIST

THIS DRAWING IS A CONTROLLED DOCUMENT.

DWN	ED	16OCT2023		TE Connectivity ADAPTER,SMA F TO FAKRA SMB F, STRAIGHT,NO HOUSING,6GHz
CHK	ED	16OCT2023		
APVD	WH	16OCT2023		
NAME				
DIMENSIONS:			PRODUCT SPEC	
mm			APPLICATION SPEC	
			WEIGHT	
TOLERANCES UNLESS OTHERWISE SPECIFIED: 0 PLC ± - 1 PLC ± 0.3 2 PLC ± 0.2 3 PLC ± 0.1 4 PLC ± - ± 5' ANGLES ± - ± 5' FINISH -			SIZE	A2
MATERIAL			CAGE CODE	00779
SEE TABLE			DRAWING NO	C=2474533
			RESTRICTED TO	-
			CUSTOMER DRAWING	
			SCALE	8:1
			SHEET	1 OF 1
			REV	A

2474533

Mouser Electronics

Authorized Distributor

Click to View Pricing, Inventory, Delivery & Lifecycle Information:

[TE Connectivity:](#)

[2474533-1](#)