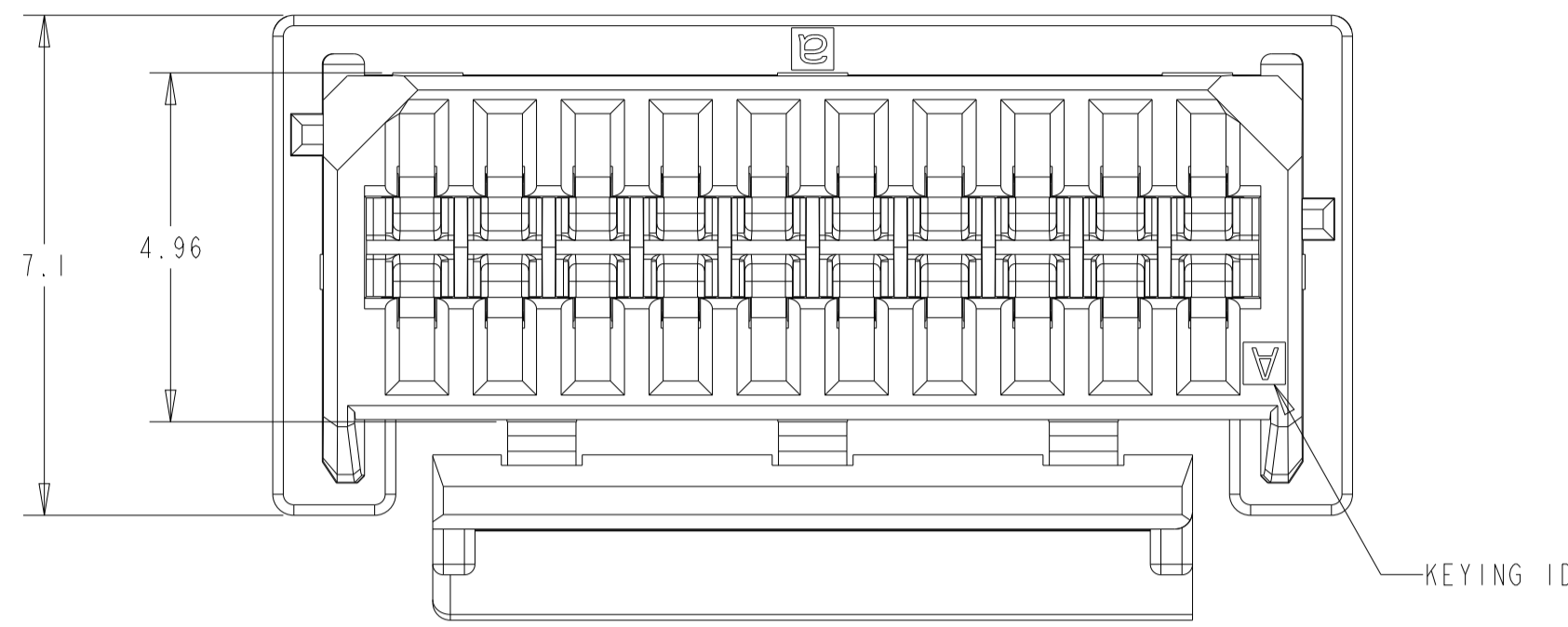
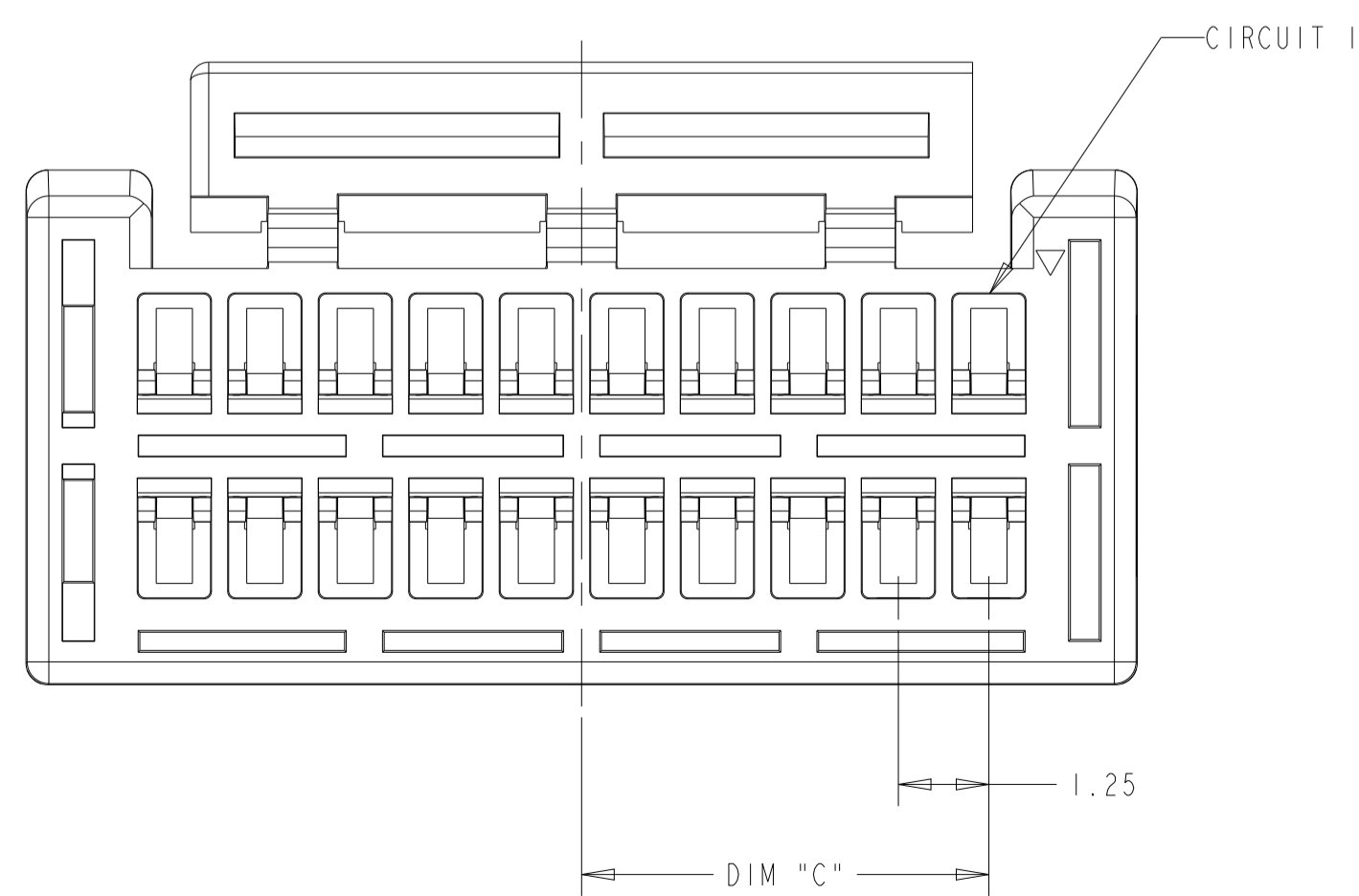
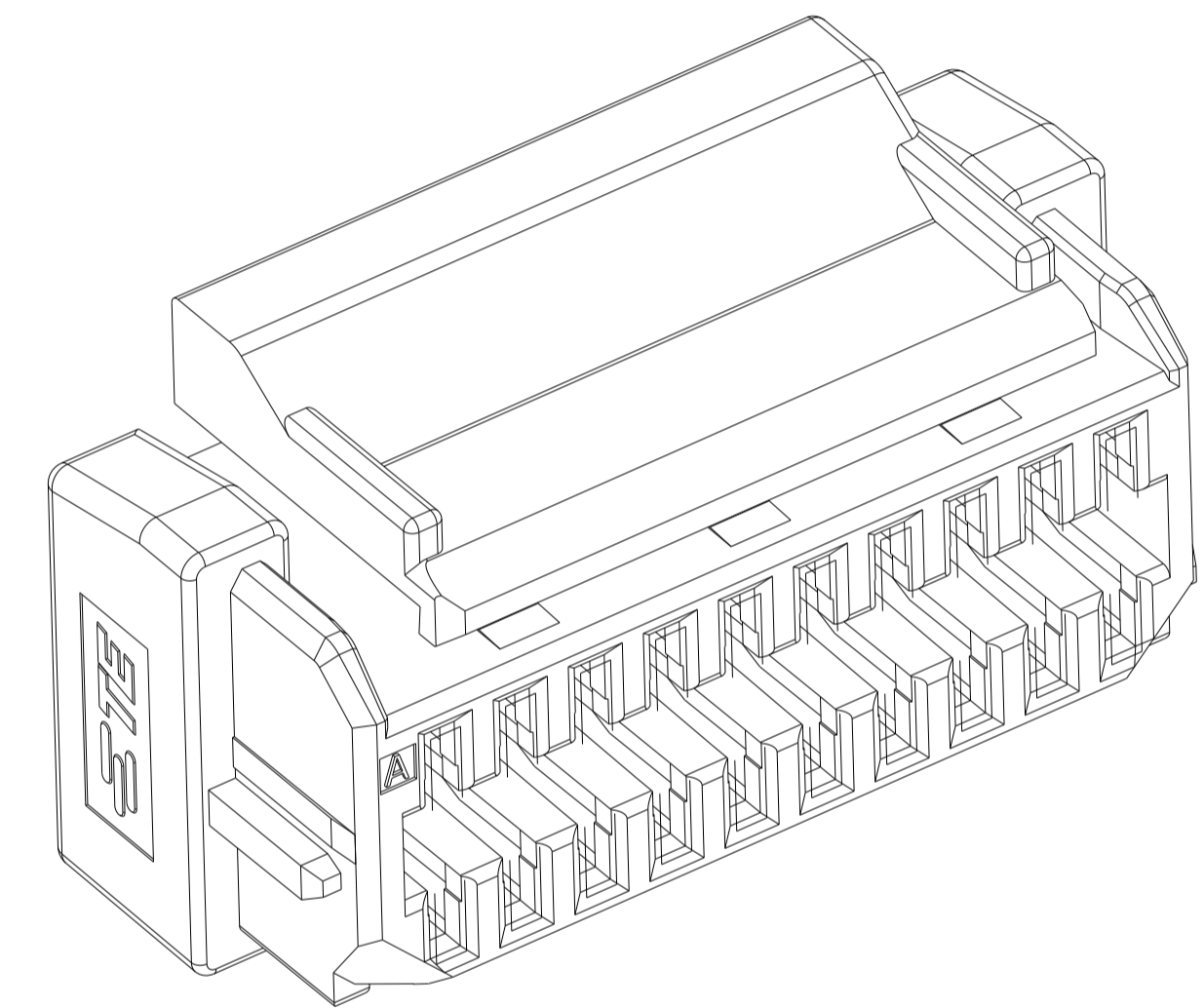
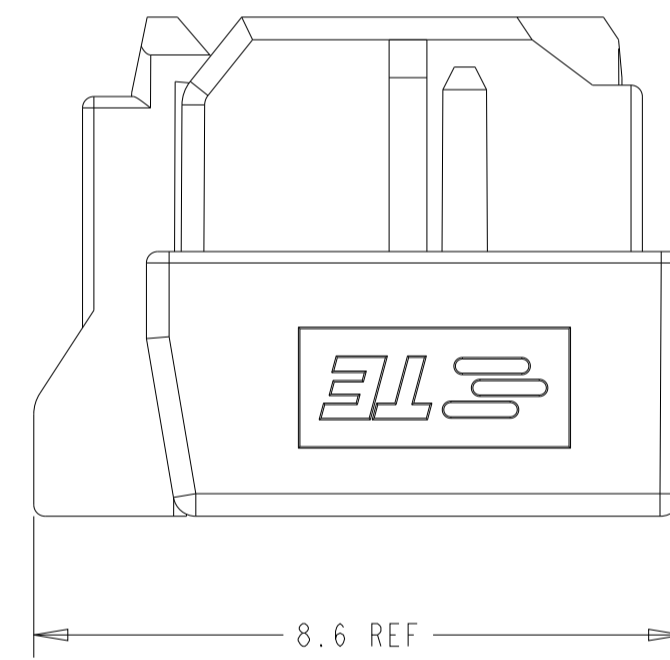
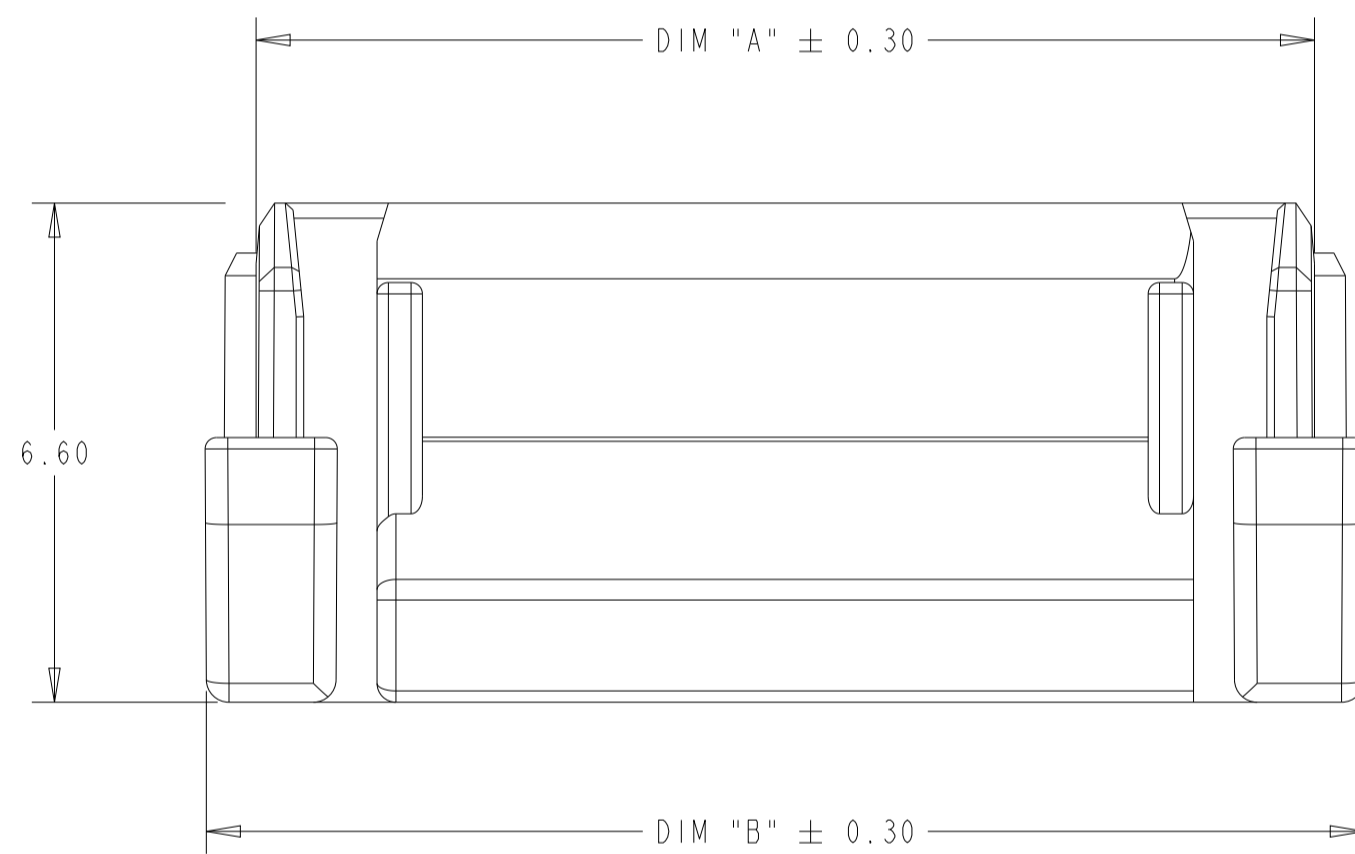


KEYING A SHOWN FOR 20 POSITION

REVISIONS				
P	LTN	DESCRIPTION	DATE	APVD
A		PRODUCTION RELEASE PER ECN-23-218419	25JUN2023	N.H L.C
A1		REVISED PER ECR-24-197900	29JAN2024	N.H L.C



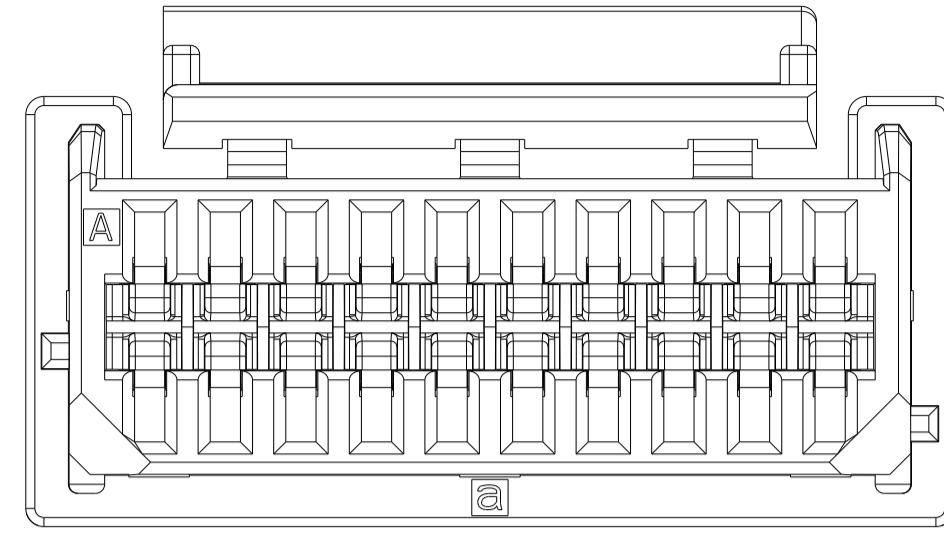
- △ MATERIAL: NYLON, UL94V-0, COLOR: SEE TABLE IN PAGE 2
- 2. THIS HOUSING ACCEPTS TERMINAL: 2371403-1
- 3. RECOMMENDED MATING PART: SEE TABLE IN PAGE 2
- 4. DIMENSIONS SHOWN REPRESENT PRODUCT IN DRY, AS MOLDED, CONDITION



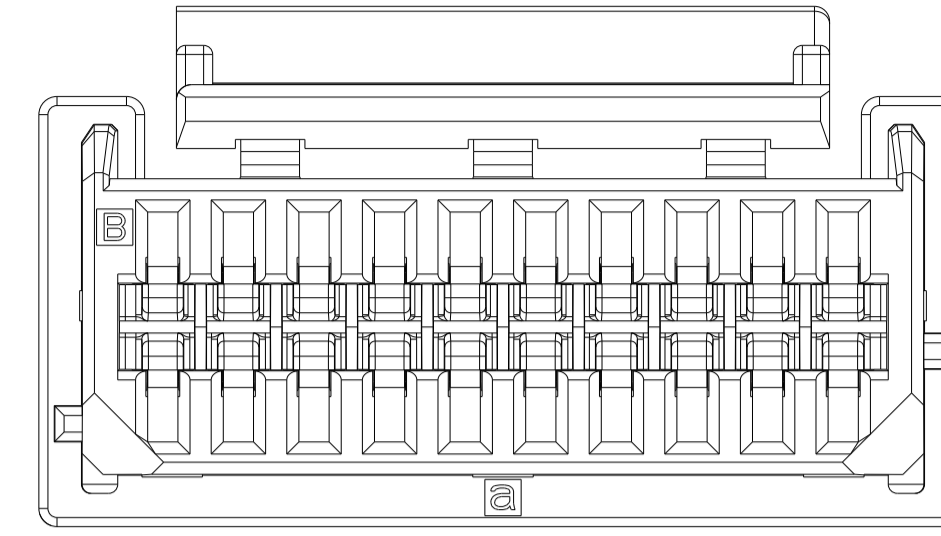
THIS DRAWING IS A CONTROLLED DOCUMENT.		OWN: BASAVARAJA D A 31JUL2020	TE Connectivity	
		CHK: CHEN LEO 31JUL2020		
DIMENSIONS:		APVD: CHEN LEO 31JUL2020	NAME: PLUG HOUSING, DUAL ROW, SGI 1.25	
mm		PRODUCT SPEC	-	
		APPLICATION SPEC	-	
0 PLC ± 1 PLC ±0.30 2 PLC ±0.15 3 PLC ± 4 PLC ± ANGLES ± FINISH ±		108-106451	SIZE: A	
MATERIAL: △		114-106497	CAGE CODE: 00779	DRAWING NO: 2456588
		WEIGHT: -	RESTRICTED TO: -	
		CUSTOMER DRAWING	SCALE: 10:1	SHEET 1 OF 2 REV: A1

KEYING ILLUSTRATION

REVISIONS				
P	LTN	DESCRIPTION	DATE	APVD
-		SEE SHEET 1	-	-



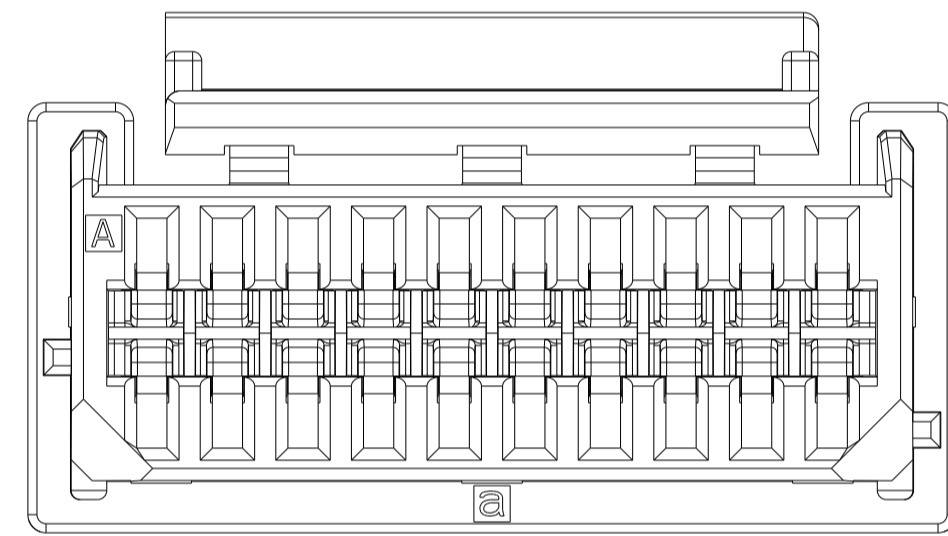
KEY A



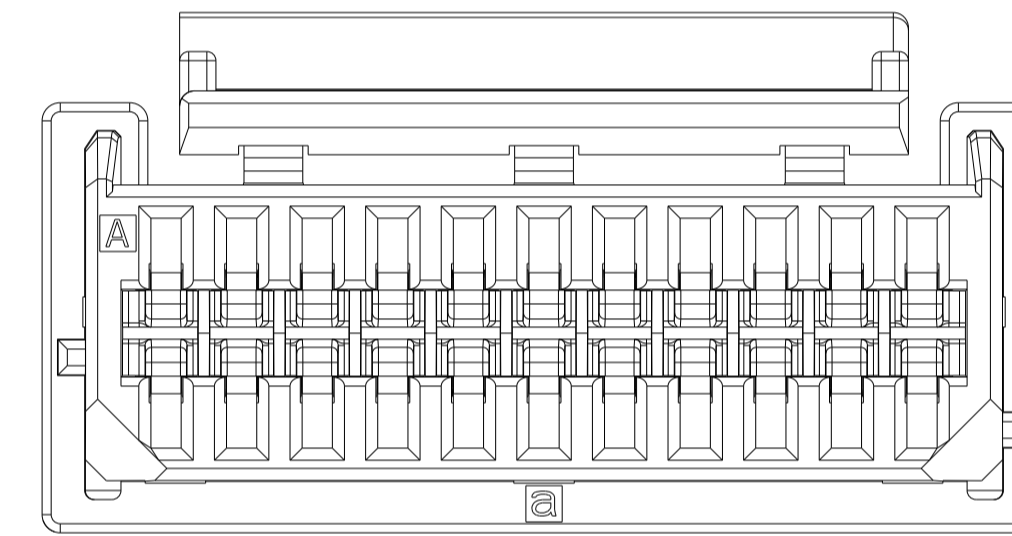
KEY B

KEY A SHOWN FOR ALL POSITIONS

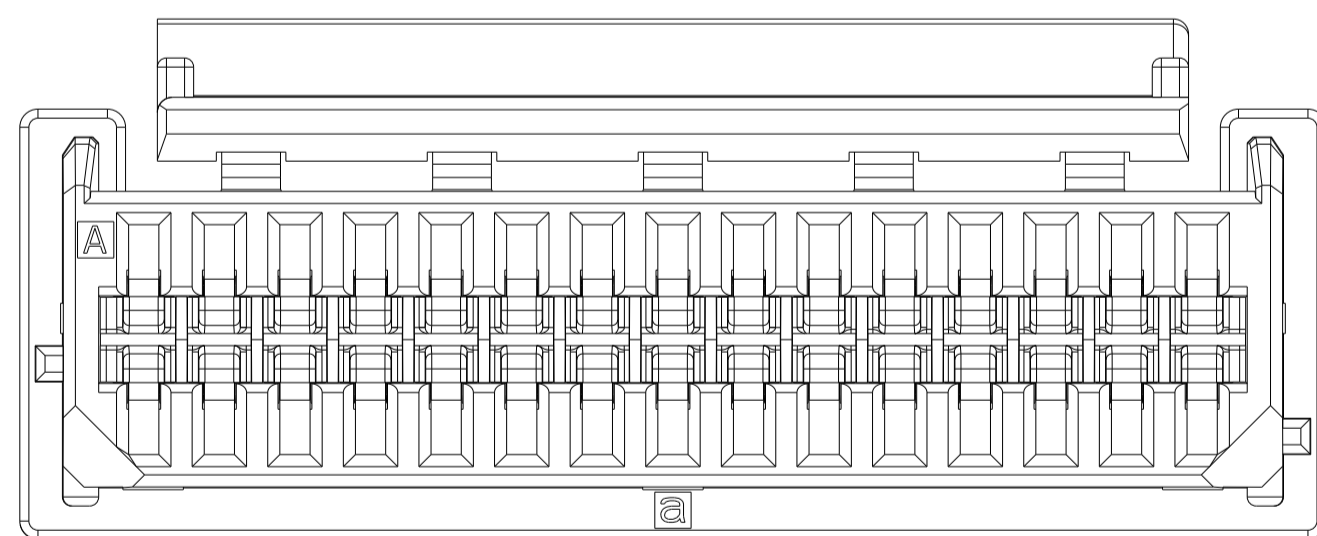
20 POSITION  
2-2456588-0



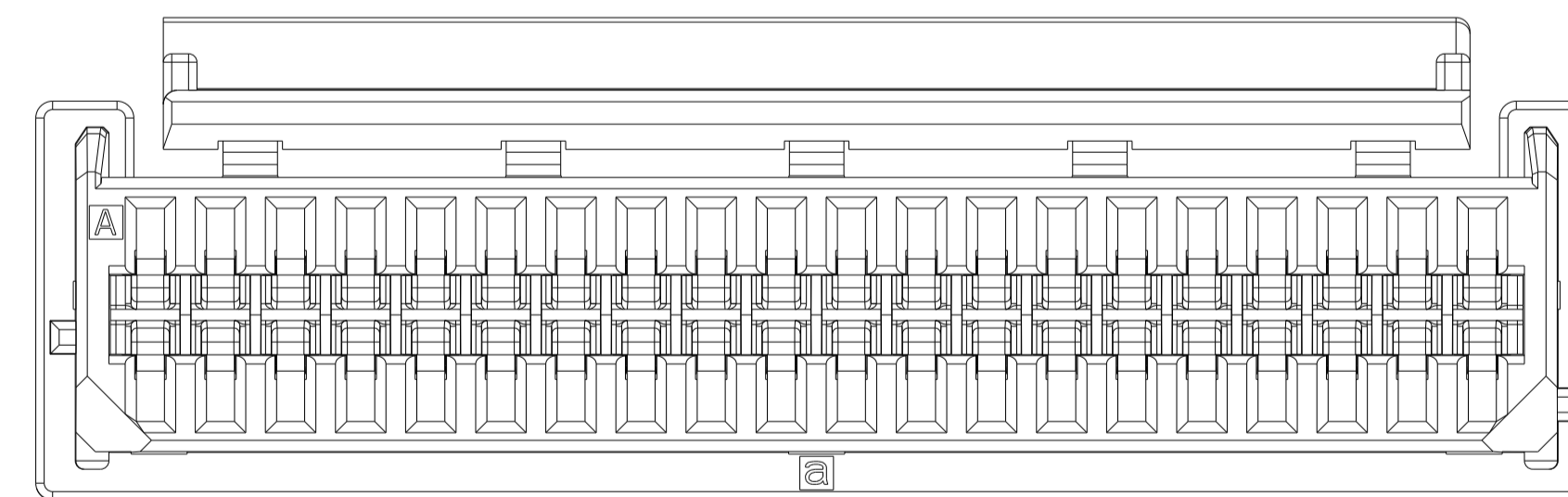
22 POSITION  
2-2456588-2



30 POSITION  
3-2456588-0



40 POSITION  
4-2456588-0



9-2456589-0	5.625	15.35	14.00	A	BLACK	20	9-2456588-0	
8-2456589-0	11.875	27.85	26.50	B	BLACK	40	8-2456588-0	
7-2456589-0	8.75	21.60	20.25			30	7-2456588-0	
6-2456589-0	5.625	15.35	14.00	A	NATURAL	20	6-2456588-0	
4-2456589-0	11.875	27.85	26.50			40	4-2456588-0	
3-2456589-0	8.75	21.60	20.25	A	NATURAL	30	3-2456588-0	
2-2456589-2	6.25	16.60	15.25			22	2-2456588-2	
2-2456589-0	5.625	15.35	14.00			20	2-2456588-0	
MATING HEADER	DIM "C"	DIM "B"	DIM "A"	KEYING	COLOR	POS	PART NO	REMARK

THIS DRAWING IS A CONTROLLED DOCUMENT.

DIMENSIONS:	TOLERANCES UNLESS OTHERWISE SPECIFIED:	OWN: BASAVARAJA D A 31 JUL 2020	CHK: CHEN LEO 31 JUL 2020	APVD: CHEN LEO 31 JUL 2020
mm	0 PLC ±0.30 1 PLC ±0.15 2 PLC ±0.15 3 PLC ±0.15 4 PLC ±0.15 ANGLES ±0.15 FINISH	NAME: PLUG HOUSING, DUAL ROW, SGI 1.25	PRODUCT SPEC: 108-106451	APPLICATION SPEC: 114-106497
MATERIAL:		SIZE: A	CAGE CODE: 00779	DRAWING NO: C=2456588
		WEIGHT: -	CUSTOMER DRAWING	SCALE: 8:1 SHEET 2 OF 2 REV A1

TE Connectivity

# Mouser Electronics

Authorized Distributor

Click to View Pricing, Inventory, Delivery & Lifecycle Information:

[TE Connectivity:](#)

[2-2456588-2](#) [3-2456588-0](#) [4-2456588-0](#) [2-2456588-0](#)