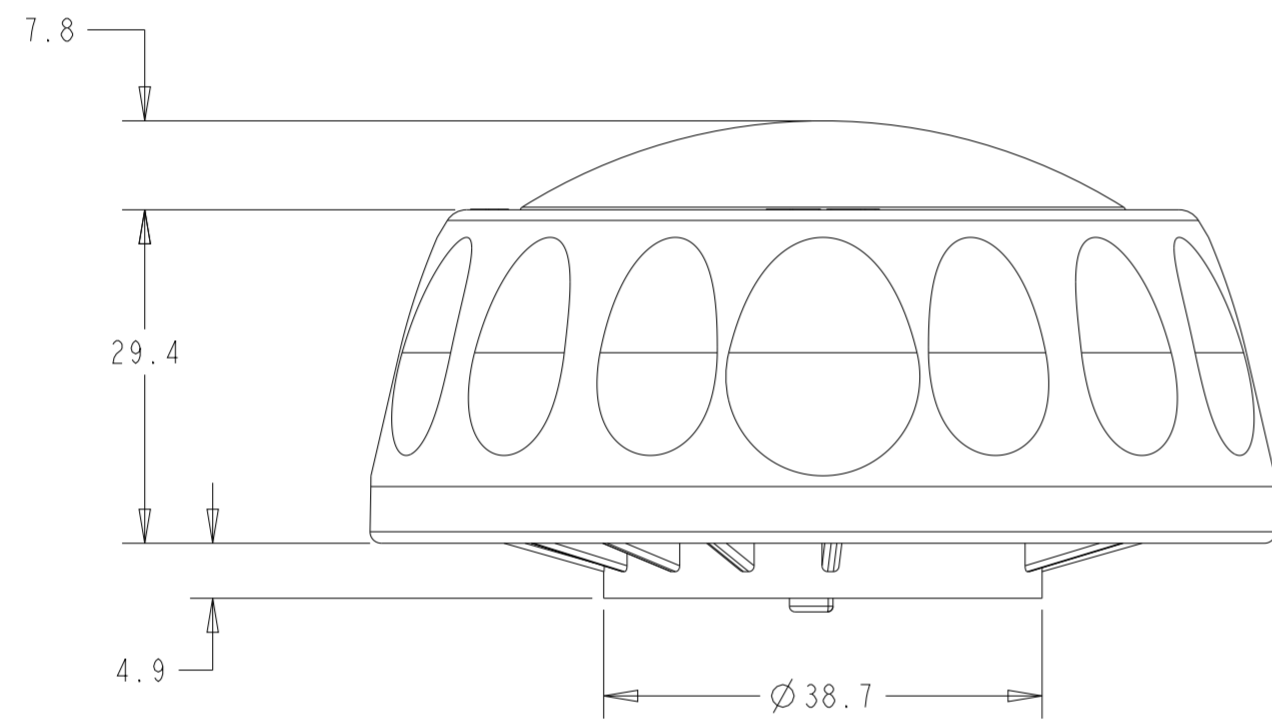
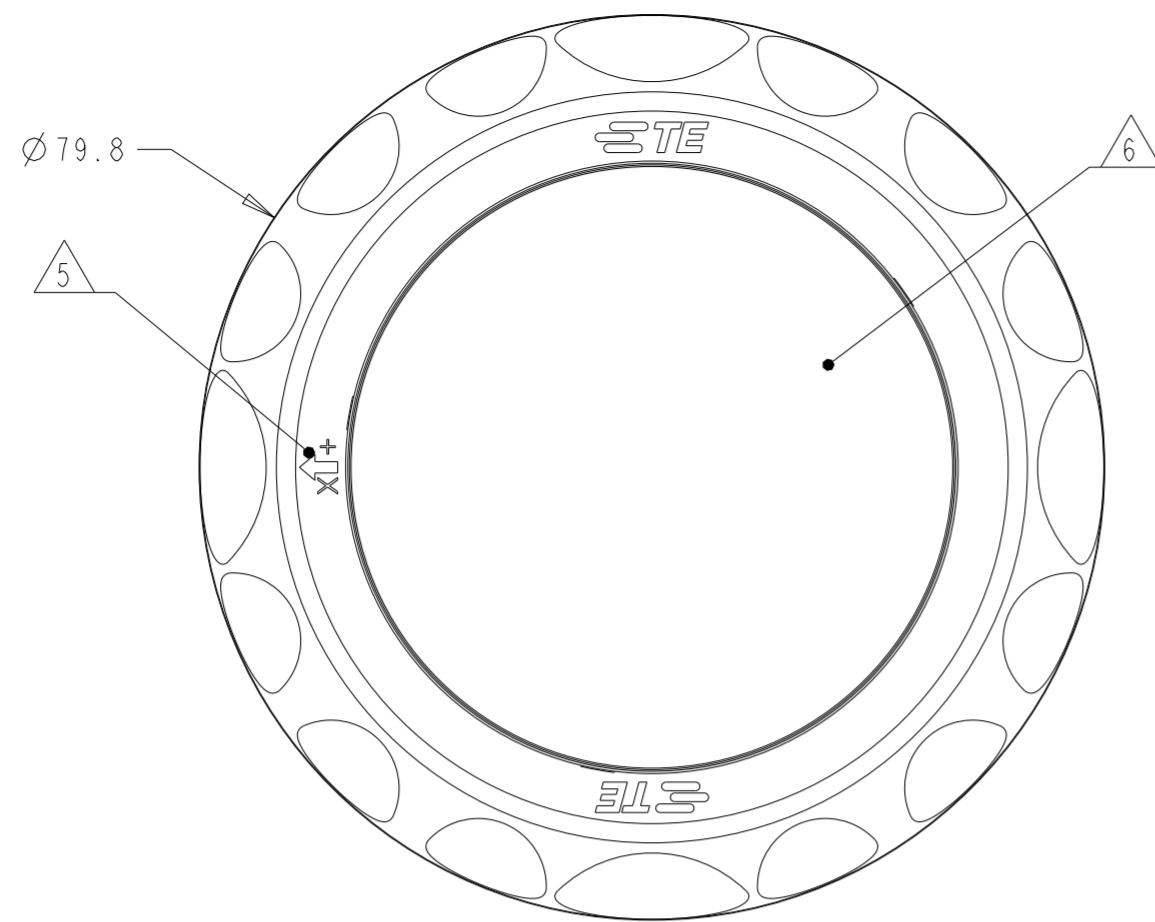
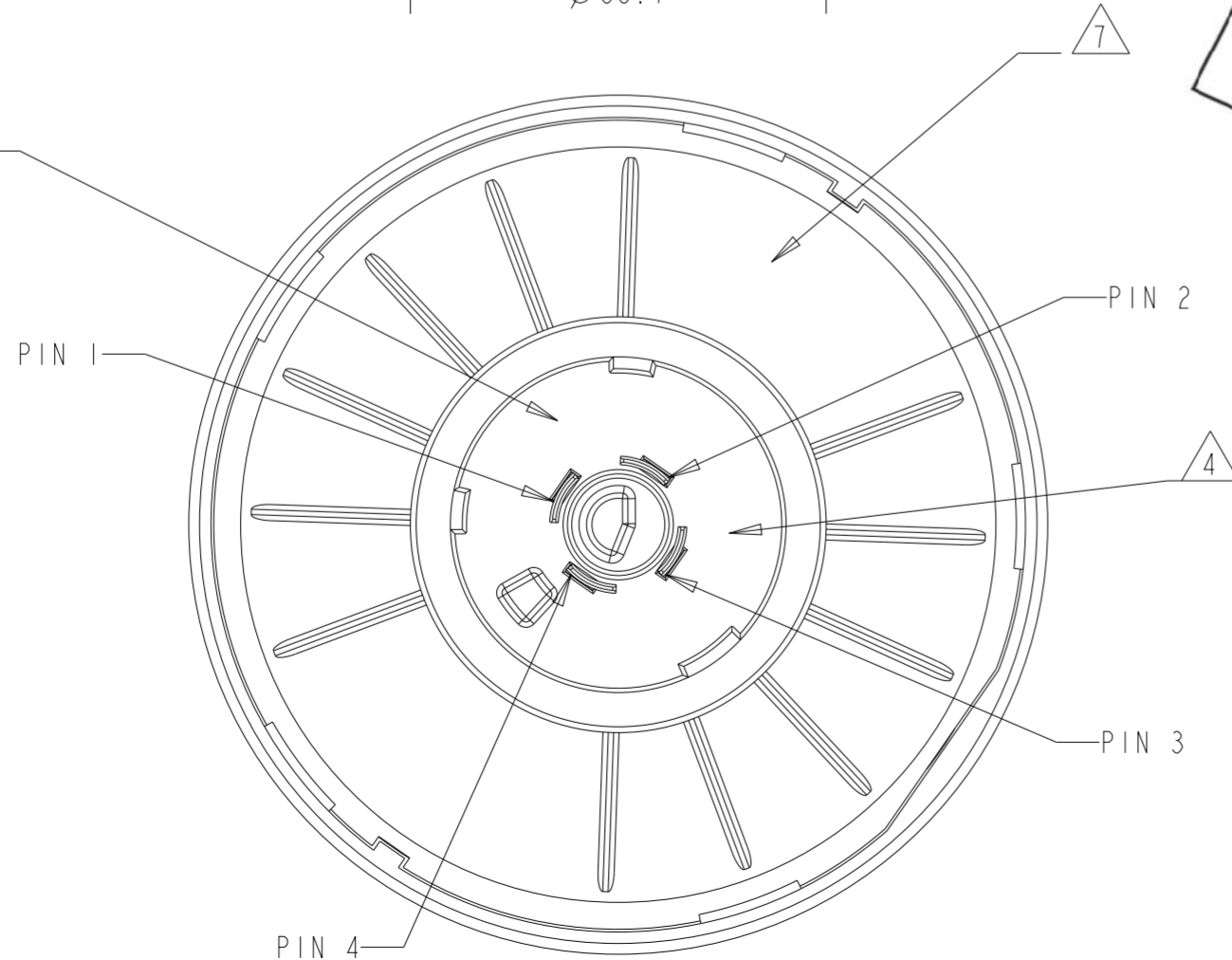


P	LTR	DESCRIPTION	DATE	DWN	APVD
A		REVISED PER ECN-24-251890	13FEB2024	RK	MM

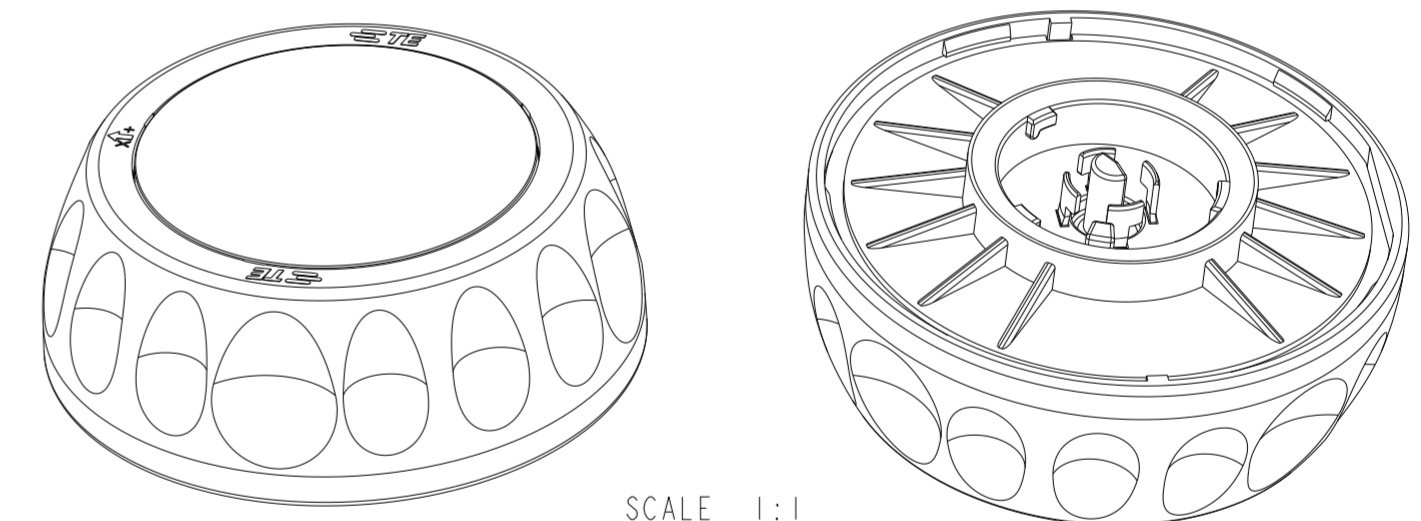


LUMAWISE ENDURANCE S
KEYED INTERFACE.
REFERENCE TE P/N 2-2343404-1



- 1 MATERIALS AND FINISH:
 -HOUSING: PC, COLOR: DARK GREY
 -LOCKING RING: PBT, COLOR: DARK GREY
 -MODULE BASE: PBT, COLOR: GREY
 -LENS: PE
 -GASKET: LSR
 -CONTACTS: BRASS, FINISH: Sn
 -PCBA: FR4
- 2. MUST COMPLY WITH DIRECTIVE 2002/95/EC (ROHS)
- 3. THIS PRODUCT HAS NOT COMPLETED VALIDATION TESTING
- 4 MATES WITH KEYED LUMAWISE S RECEPTACLES,
SEE TE LUMAWISE ENDURANCE S/S2; P/N: 2343403-X, 2363638-2
- 5 ZHAGA BOOK 18 X+ AXIS DIRECTION MARKING
- 6 DETECTION ZONE MASK AVAILABLE; TE P/N: 2396399-1
- 7 PRODUCT IDENTIFICATION LABEL
- 8 PIN OUT TABLE: FOR ADDITIONAL DETAIL REFER TO APPLICATION SPECIFICATION

PIN	FUNCTION
1	INPUT: POWER (10-24Vdc)
2	GROUND
3	OUTPUT 1: (LIGHT - ANALOG)
4	OUTPUT 2: (MOTION - HI/LO)



CIRCULAR	1-2445583-1
RECTANGULAR	2445583-1
DETECTION PATTERN	PART NO.

THIS DRAWING IS A CONTROLLED DOCUMENT.		DWN C DAILY 11 JUL 2023	TE Connectivity	
DIMENSIONS: mm		CHK C DAILY 11 JUL 2023	NAME ASSEMBLY, SENSOR LUMAWISE MOTION LOGIC OUTPUT	
TOLERANCES UNLESS OTHERWISE SPECIFIED: 0 PLC ± 1 PLC ±0.2 2 PLC ±0.13 3 PLC ± 4 PLC ± ANGLES ±2° FINISH		APVD -	PRODUCT SPEC 108-161018	SIZE A2
MATERIAL		APPLICATION SPEC 114-160647	CAGE CODE 00779	DRAWING NO C-2445583
1		WEIGHT -	RESTRICTED TO -	SCALE 3:2 SHEET 1 OF 1 REV A
		CUSTOMER DRAWING		

Mouser Electronics

Authorized Distributor

Click to View Pricing, Inventory, Delivery & Lifecycle Information:

[TE Connectivity:](#)

[2445583-1](#) [1-2445583-1](#)