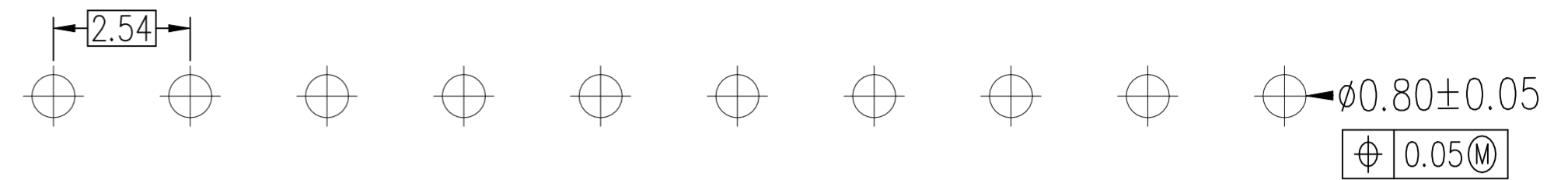
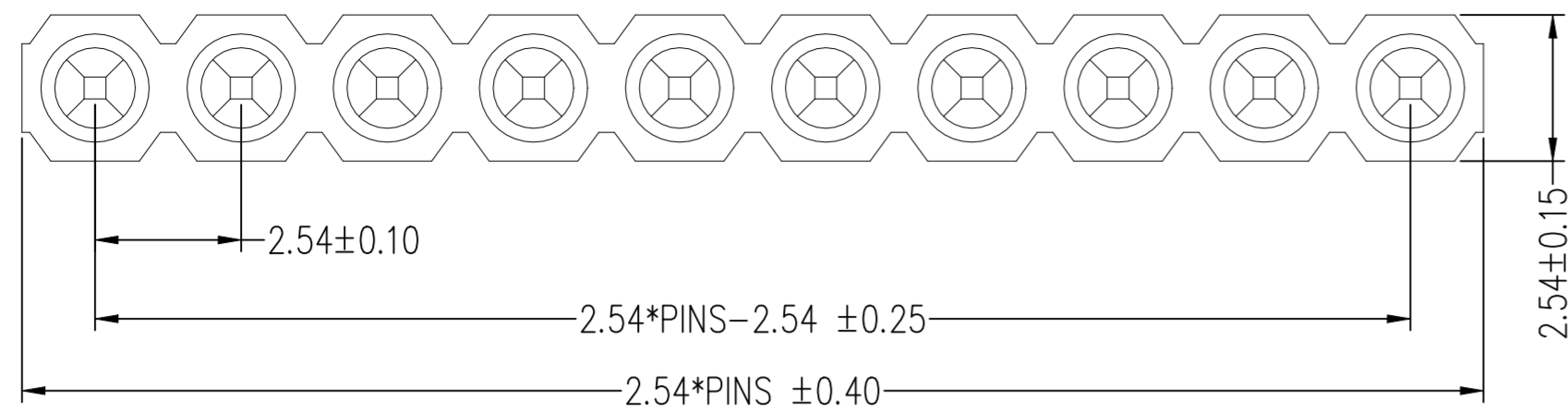
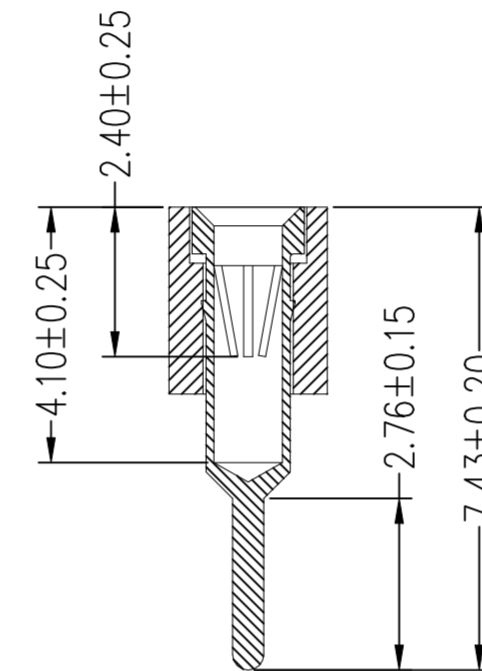
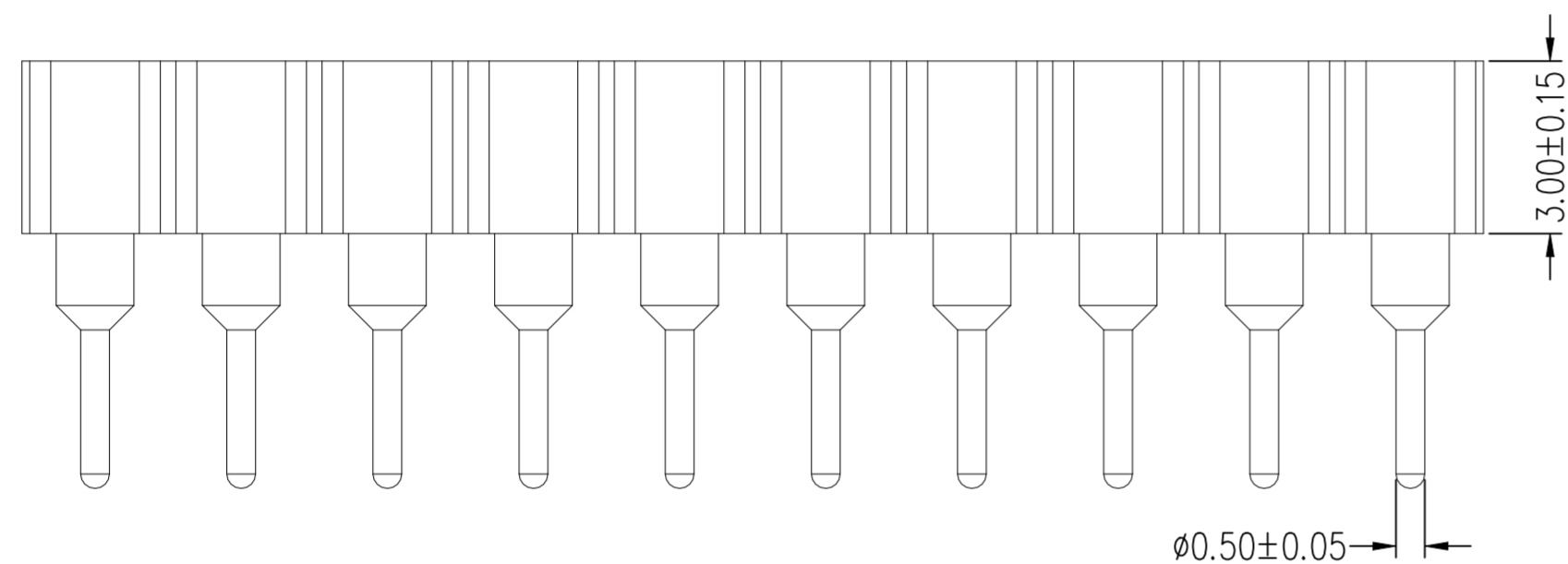


REVISIONS					
P	LTR	DESCRIPTION	DATE	DWN	APVD
A2		Adding new part numbers	15MAY2024	BTV	KJ



RECOMMENDED P.C.B LAYOUT
(COMPONENT SIDE)(TOLERANCE: ±0.05)



NOTES:

- MATERIAL:
 - 1, INSULATOR : THERMOPLASTIC UL-94-V-0 BLACK
 - 2, SLEEVE & CONTACT : COPPER ALLOY
 - PLATING - SLEEVE : 2µm MIN Sn OVER 2µm MIN Ni
 - PLATING - CONTACT :
 - △ 5µm min TIN OVER Ni
 - △ GOLD FLASH OVER Ni
 - △ 0.25µm GOLD OVER Ni
 - △ 0.38µm GOLD OVER Ni
 - △ 0.76µm GOLD OVER Ni
- PIN SPECIFICATION: CONTACT ACCEPTS:
ROUND PIN Ø0.40MM TO 0.56MM
- ELECTRICAL: CONTACT RESISTANCE- 10 mΩ MAX.
CONTACT RATING- 3Amp
INSULATION RESISTANCE- 1000 MΩ.
DIELECTRIC VOLTAGE- 1000V AC
- ENVIRONMENTAL: OPERATION TEMPERATURE - -55 +125°C
SOLDERING PROCESS CAPABILITY - 260°C
- MECHANICAL LIFE: 500 CYCLES
INSERTION FORCE - 200GRAMS/PIN
WITHDRAWAL FORCE - 60GRAMS/PIN
CONTACT RETENSION - 1.5KG.F MIN/PIN

Reel	Tube	Number Of Positions	Part No	
		40	1-2444090-4	
		32	1-2444090-3	
		15	1-2444090-1	
Reel	△	9	1-2444090-0	
		7	2444090-9	
		5	2444090-8	
		4	2444090-7	
		2	2444090-6	
		20	2444090-5	
		△	20	2444090-4
		△	16	2444090-3
		△	10	2444090-2
		△	10	2444090-1
Package	Contact Plating	Number Of Positions	Part No	

THIS DRAWING IS A CONTROLLED DOCUMENT.		DWN BONEY THOMAS 15FEB2023	TE Connectivity																			
DIMENSIONS: mm		CHK -	NAME KIM JIN																			
TOLERANCES UNLESS OTHERWISE SPECIFIED		APVD KIM JIN 15FEB2023	PRODUCT SPEC 108-160875																			
<table border="1"> <tr><td>0 PLC</td><td>±</td><td>-</td></tr> <tr><td>1 PLC</td><td>±</td><td>-</td></tr> <tr><td>2 PLC</td><td>±</td><td>-</td></tr> <tr><td>3 PLC</td><td>±</td><td>-</td></tr> <tr><td>4 PLC</td><td>±</td><td>-</td></tr> <tr><td>ANGLES</td><td>±</td><td>-</td></tr> </table>		0 PLC	±	-	1 PLC	±	-	2 PLC	±	-	3 PLC	±	-	4 PLC	±	-	ANGLES	±	-	APPLICATION SPEC -	SIZE A2	CAGE CODE 00779
0 PLC	±	-																				
1 PLC	±	-																				
2 PLC	±	-																				
3 PLC	±	-																				
4 PLC	±	-																				
ANGLES	±	-																				
MATERIAL -	FINISH -	WEIGHT -	DRAWING NO C=2444090	RESTRICTED TO -																		
CUSTOMER DRAWING			SCALE 1:1	SHEET 1 of 1																		
			REV A2																			

Mouser Electronics

Authorized Distributor

Click to View Pricing, Inventory, Delivery & Lifecycle Information:

[TE Connectivity:](#)

[1-2444090-4](#) [1-2444090-0](#) [1-2444090-3](#) [2444090-3](#) [2444090-4](#) [2444090-1](#) [2444090-7](#) [1-2444090-1](#) [2444090-6](#)
[2444090-9](#) [2444090-2](#) [2444090-8](#) [2444090-5](#)