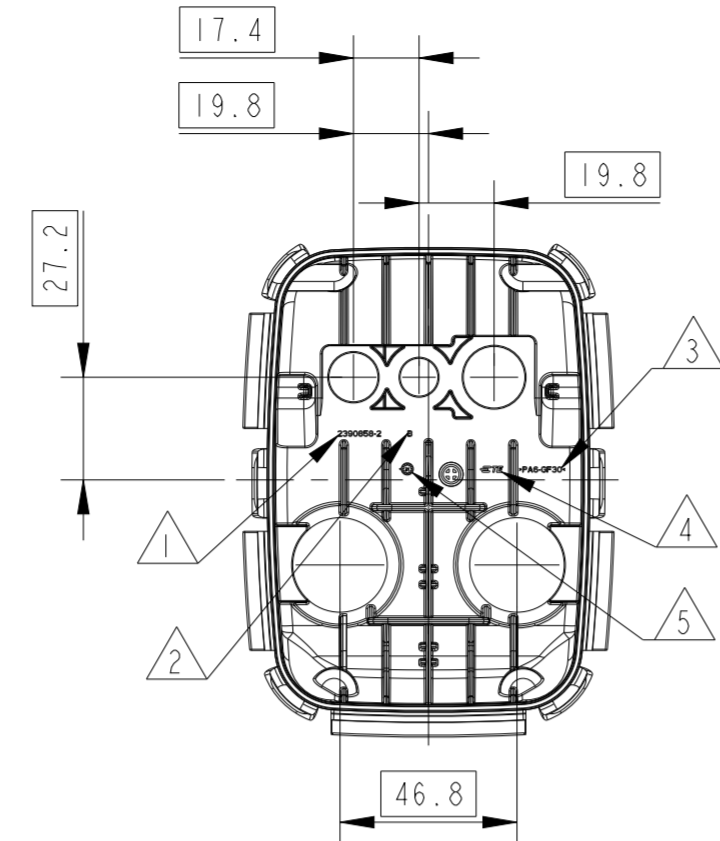
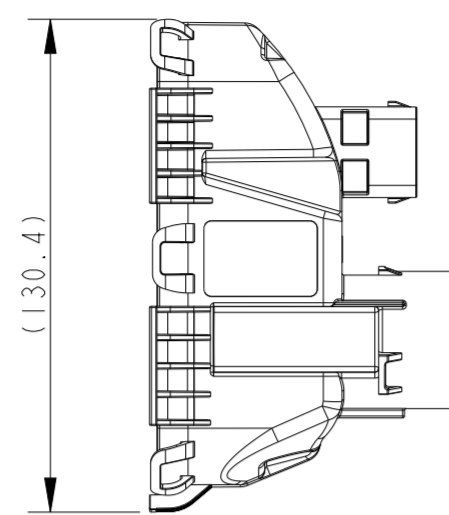
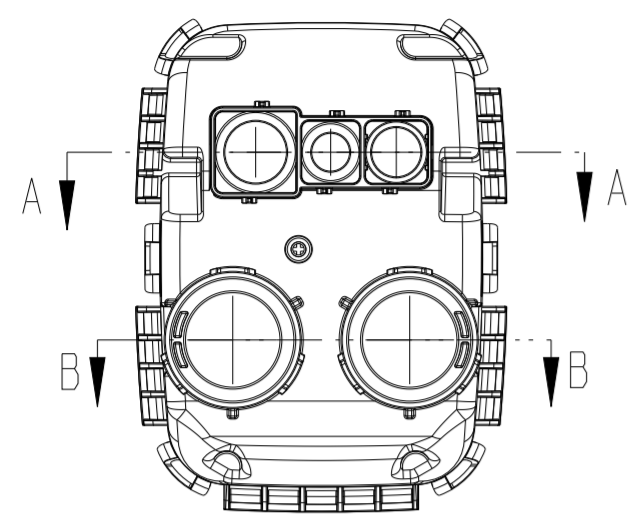


P	LTR	DESCRIPTION	DATE	DWN	APVD
A		NEW DRAWING	09JUN2021	SSH	KPB
B		PCN-21-117035	11OCT2021	AS	KPB
B3		ECN-22-156556	30MAY2022	SS	KPB
B4		-			

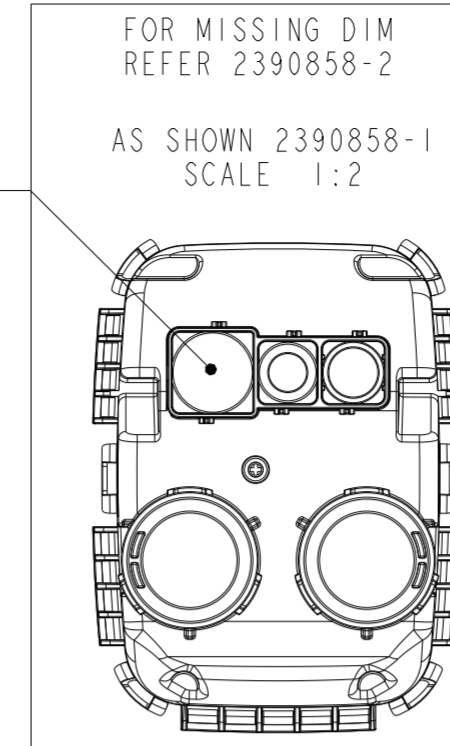
NOTES

- 1 TE-SINGLE PART NUMBER.
- 2 REVISION, SEE TABLE (CHARACTERS ONLY).
- 3 MATERIAL MARKING ACCORDING TO VDA 260.
- 4 PRODUCTION DATE.
- 5 TE-TRADEMARK ACC TO SPEC 1621426-4.
- 6 SEALING SURFACES, NO FLASH, BURR OR GATEMARK ALLOWED.
- 8 UNSPECIFIED GENERAL TOLERANCE TO BE $\sqrt{0.6 CZ}$ ALL OVER UNLESS OTHERWISE STATED.
- 9 PACKAGING ACCORDING TO V2390858.
- 10 PREPARE AS CONVERSIONKIT IN TOOL

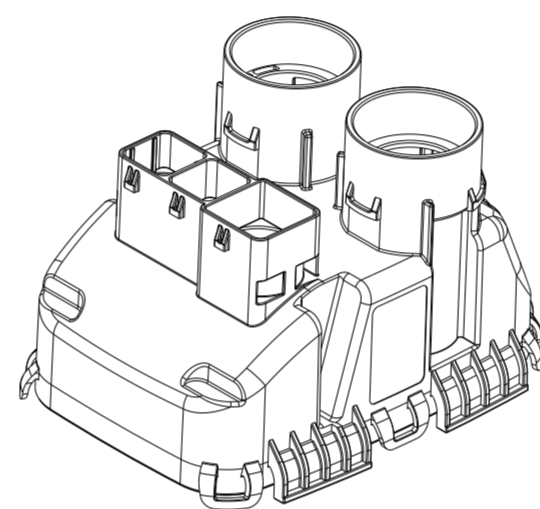
AS SHOWN 2390858-2
SCALE 1:2



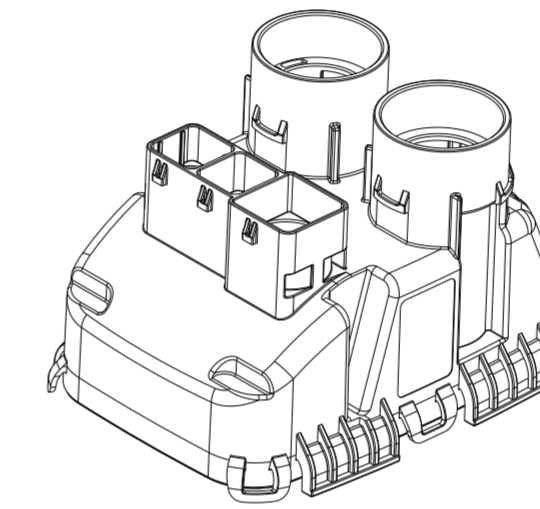
AC CAVITY BLOCKED



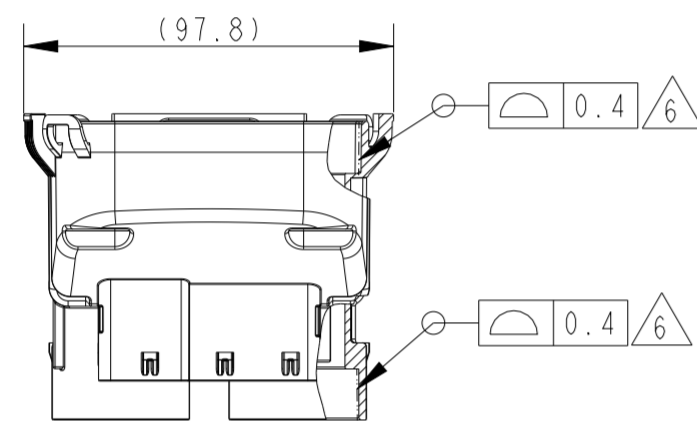
AS SHOWN 2390858-1
SCALE 1:2



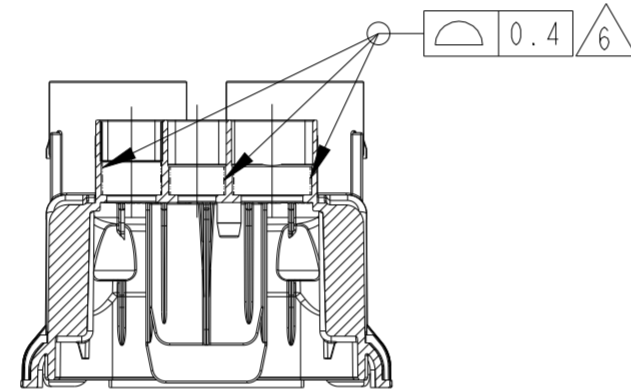
AS SHOWN 2390858-2
SCALE 1:2



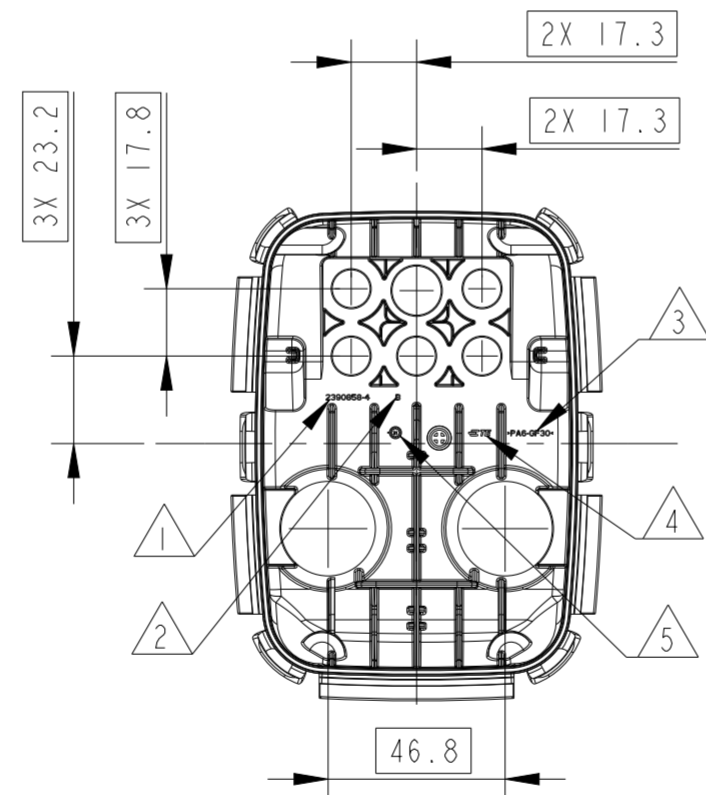
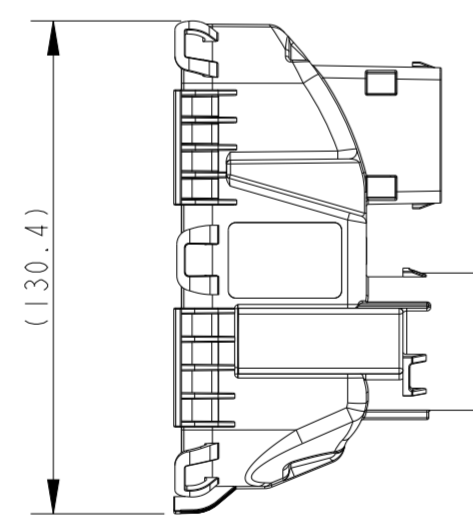
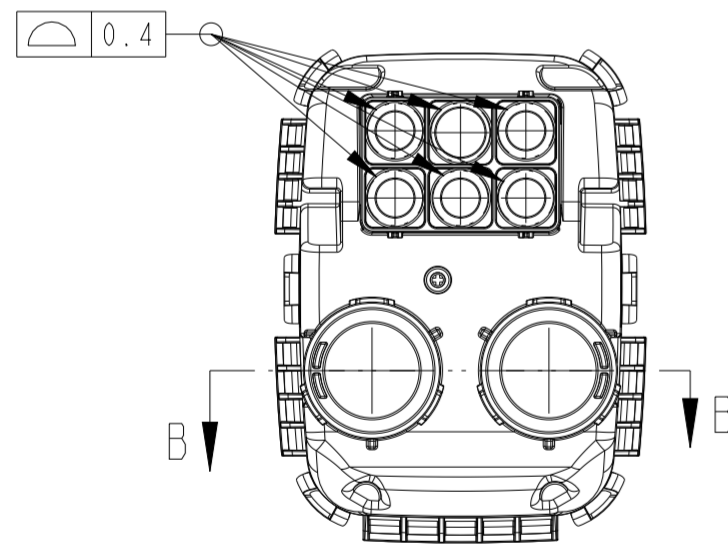
SECTION B-B



SECTION A-A
SCALE 1:2

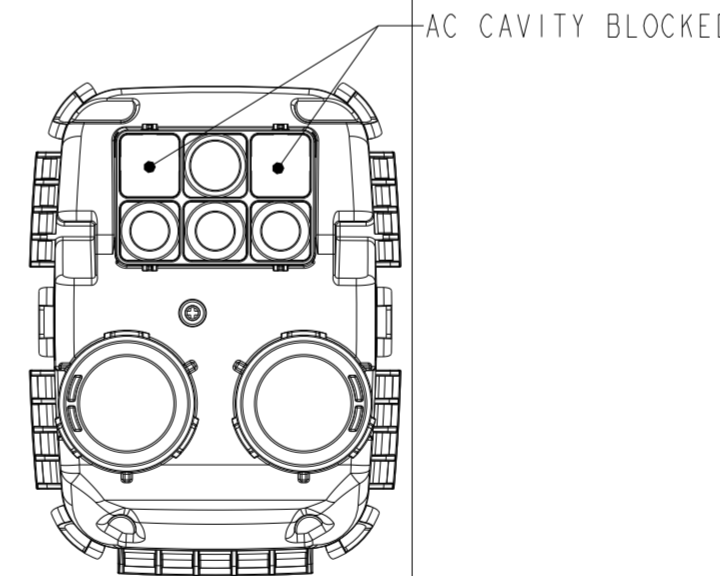


AS SHOWN 2390858-4
SCALE 1:2

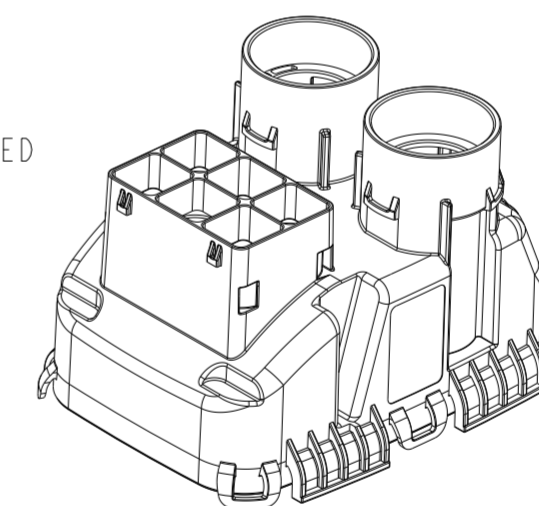


FOR MISSING DIM REFER 2390858-4

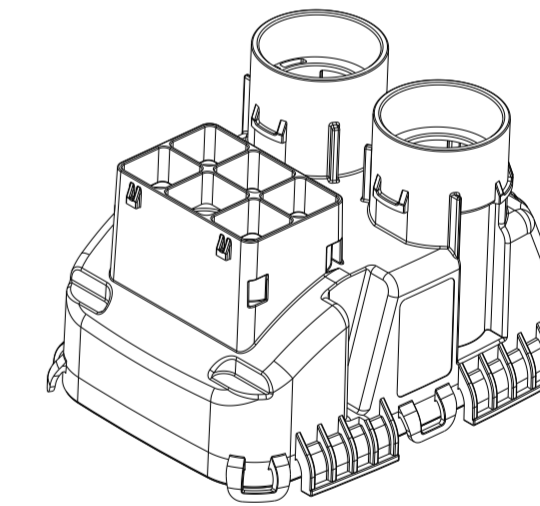
AS SHOWN 2390858-3
SCALE 1:2



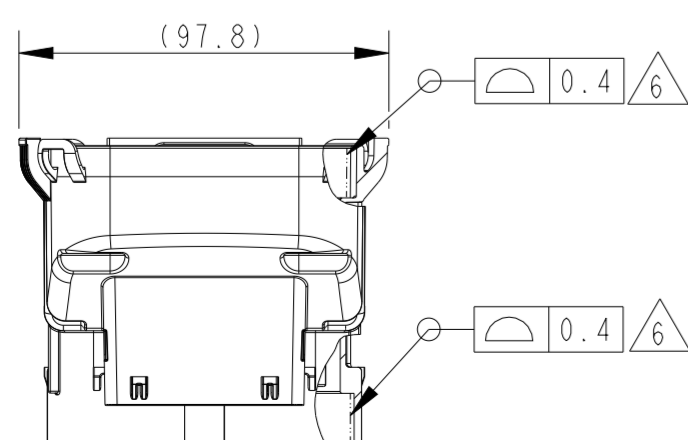
AS SHOWN 2390858-3
SCALE 1:2



AS SHOWN 2390858-4
SCALE 1:2



SECTION B-B



DIMENSION AND TOLERANCES ACCORDING TO:
Bemaßungen und Toleranzen gemäß:
DIN 16742
DIN EN ISO 8015 (AD) - DIN EN ISO 291
DIN EN ISO 14405-1/-2/-3

THIS DRAWING IS A CONTROLLED DOCUMENT. DIMENSIONING AND TOLERANCING PER GPS (ISO STANDARDS).	
DIMENSIONS:	TOLERANCES UNLESS OTHERWISE SPECIFIED:
mm	0 PLC ±0.5
	1 PLC ±0.13
	2 PLC ±0.13
	3 PLC ±0.013
	4 PLC ±0.001
	ANGLES ±
	FINISH -
MATERIAL	SEE TABLE

TE PART NO	REV	DESCRIPTION	MATERIAL	WEIGHT (g)	COLOUR
B4	2390858-4	B CABLE EXIT, LARGER AC CCS2	PA6 GF30	123.17	ORANGE
B4	2390858-3	B CABLE EXIT, LARGER AC CCS1	PA6 GF30	122.89	ORANGE
B4	2390858-2	B CABLE EXIT, WITH AC	PA6 GF30	116.43	ORANGE
B4	2390858-1	B CABLE EXIT, W/O AC	PA6 GF30	117.00	ORANGE
B4	9-2390858-1	B CABLE EXIT, W/O AC	PA6 GF30	112.73	ORANGE

DWN	SUBHAS H	09JUN2021	TE Connectivity
CHK	DEEPAK M	09JUN2021	
APVD	KASHYAP P B	09JUN2021	
NAME		CABLE EXIT	
PRODUCT SPEC		108-94865	
APPLICATION SPEC		114-94757	
WEIGHT		-	
CUSTOMER DRAWING		SCALE	5:1
		SHEET	1 OF 1
		REV	B4

Mouser Electronics

Authorized Distributor

Click to View Pricing, Inventory, Delivery & Lifecycle Information:

[TE Connectivity:](#)

[2390858-2](#) [2390858-1](#) [2390858-3](#)