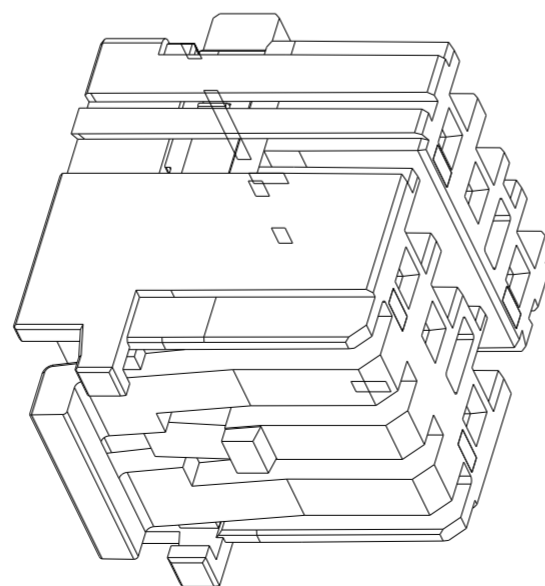
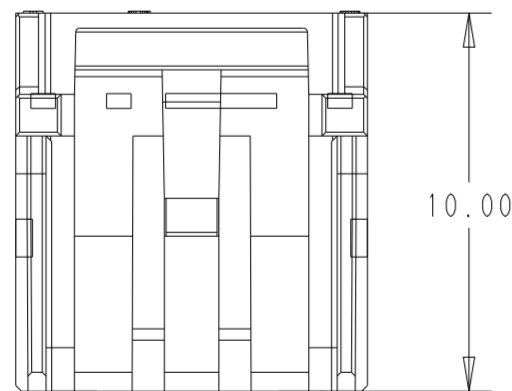
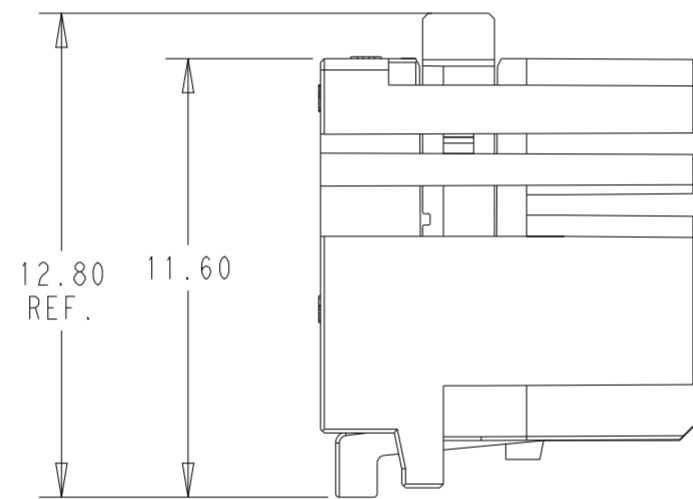
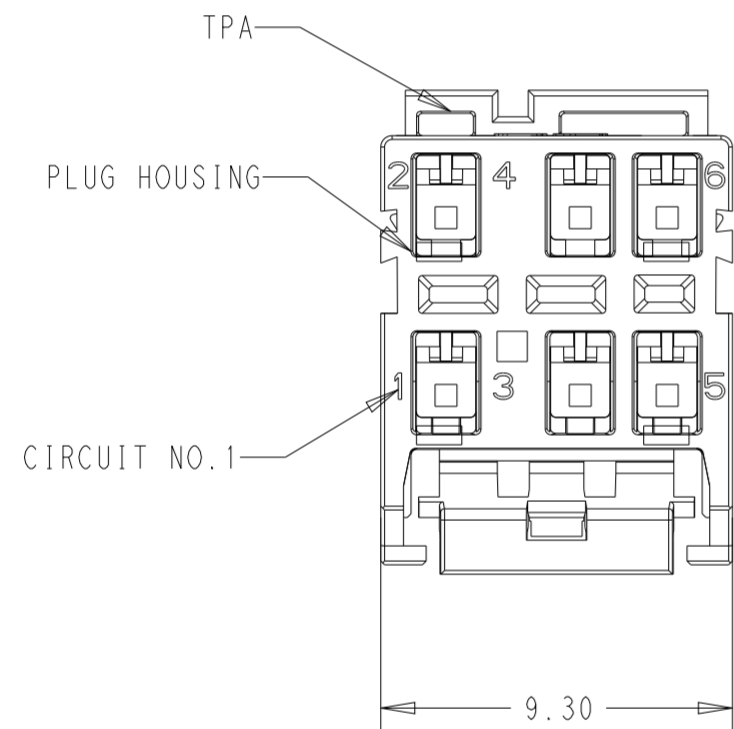
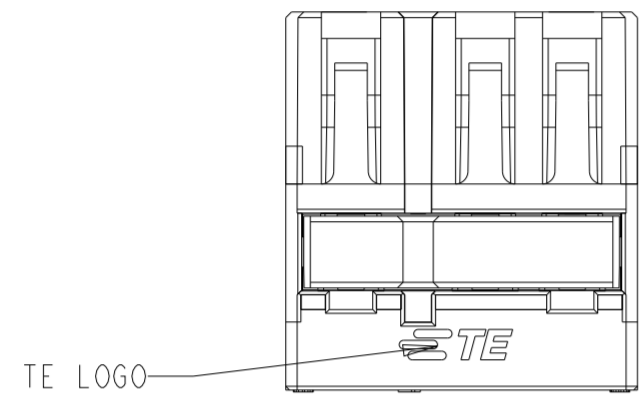


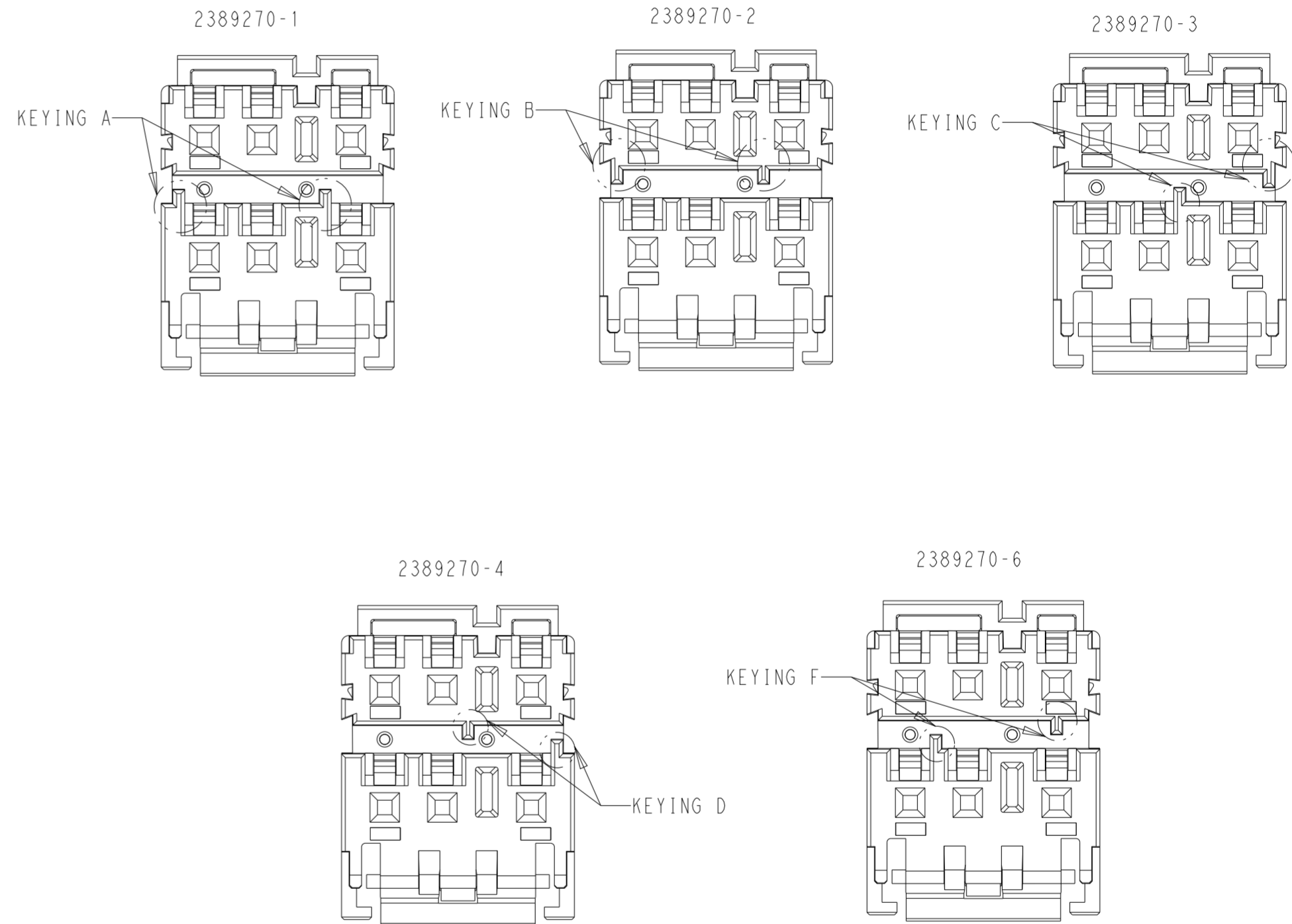
REVISIONS					
P	LTR	DESCRIPTION	DATE	DWN	APVD
1		RELEASE PER ECN-23-240626	22NOV2023	CX	DZ

KEYING A SHOWN

- 1 MATERIAL:
PLUG HOUSING: NYLON66
TPA: PBT
- 2. PART COLOR VARIES IN TINT AND MAY APPEAR UNEVENLY MIXED.
- 3. RECOMMENDED MATING PART:
CONTACT: 2401417-1/2415838-1
HEADER: 2374433/2374434/2374437.
- 4. PACKAGING: LOOSE PIECE.
- 5. PER IEC 60335-1 SECT. 30, GWEPT 750C, NO FLAME or Te-Ti LESS THAN 2S.
- 6 PRELIMINARY PART - NOT RELEASED FOR PRODUCTION.
THIS PRODUCT HAS NOT COMPLETED QUALIFICATION TESTING.



DIFFERENT KEYINGS SHOWN



THIS PRINT IS
PRELIMINARY
UNQUALIFIED PRODUCT
CONTACT PRODUCT ENGINEERING
BEFORE USING THIS PRINT

F	GREEN	2389270-6	6
D	BLUE	2389270-4	6
C	RED	2389270-3	6
B	BLACK	2389270-2	6
A	NATURAL	2389270-1	6
KEYING	COLOR	PART NUMBER	

THIS DRAWING IS A CONTROLLED DOCUMENT.		DWN C. XU 20MAY2022	STE TE Connectivity	
DIMENSIONS: mm		CHK D. ZHANG 20MAY2022		
TOLERANCES UNLESS OTHERWISE SPECIFIED:		APVD D. ZHANG 20MAY2022	NAME PLUG ASSEMBLY, MULTILOAD GI 6 POSITION	
0 PLC ±		PRODUCT SPEC 108-106638	SIZE A2	
1 PLC ±		APPLICATION SPEC 114-106638	CAGE CODE 00779	DRAWING NO C-2389270
2 PLC ±0.2		WEIGHT -	RESTRICTED TO -	
3 PLC ±		CUSTOMER DRAWING	SCALE 5:1	SHEET 1 OF 1
4 PLC ±				REV A
ANGLES ±				
FINISH				
MATERIAL 1				
NA				

Mouser Electronics

Authorized Distributor

Click to View Pricing, Inventory, Delivery & Lifecycle Information:

[TE Connectivity:](#)

[2389270-1](#)