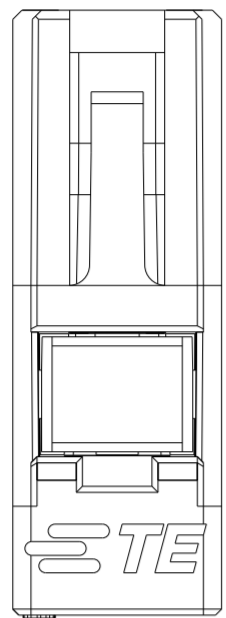


KEYING A SHOWN

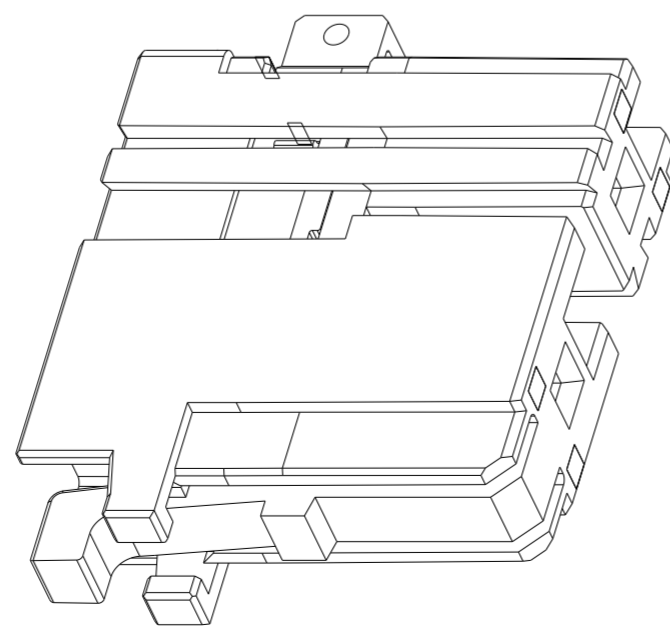
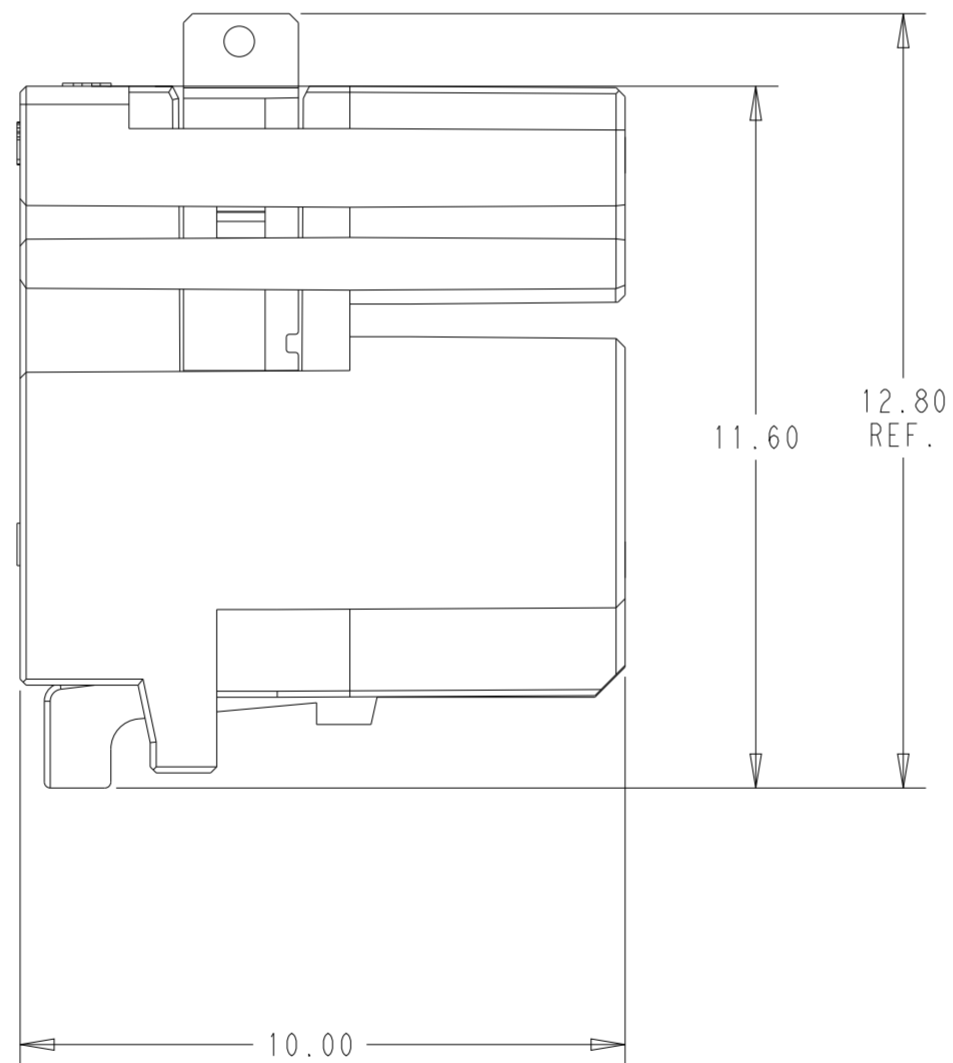
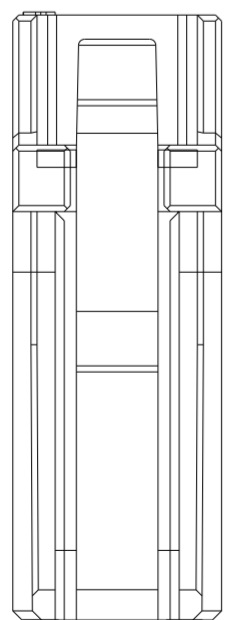
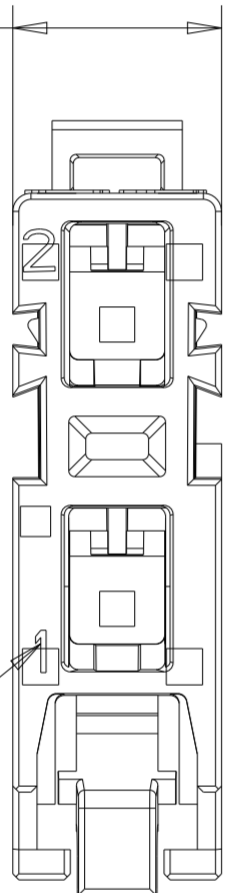


- 1 MATERIAL:  
PLUG HOUSING: NYLON66  
TPA: PBT
- 2. PART COLOR VARIES IN TINT AND MAY APPEAR UNEVENLY MIXED.
- 3. RECOMMENDED MATING PART :  
CONTACT: 2401417-1/2415838-1  
HEADER: 2374433/2374434/2374437.
- 4. PACKAGING: LOOSE PIECE.
- 5. PER IEC 60335-1 SECT. 30, GWEPT 750C, NO FLAME or Te-Ti LESS THAN 2S.
- 6 PRELIMINARY PART - NOT RELEASED FOR PRODUCTION.  
THIS PRODUCT HAS NOT COMPLETED QUALIFICATION TESTING.

THIS PRINT IS  
**PRELIMINARY**  
UNQUALIFIED PRODUCT  
CONTACT PRODUCT ENGINEERING  
BEFORE USING THIS PRINT

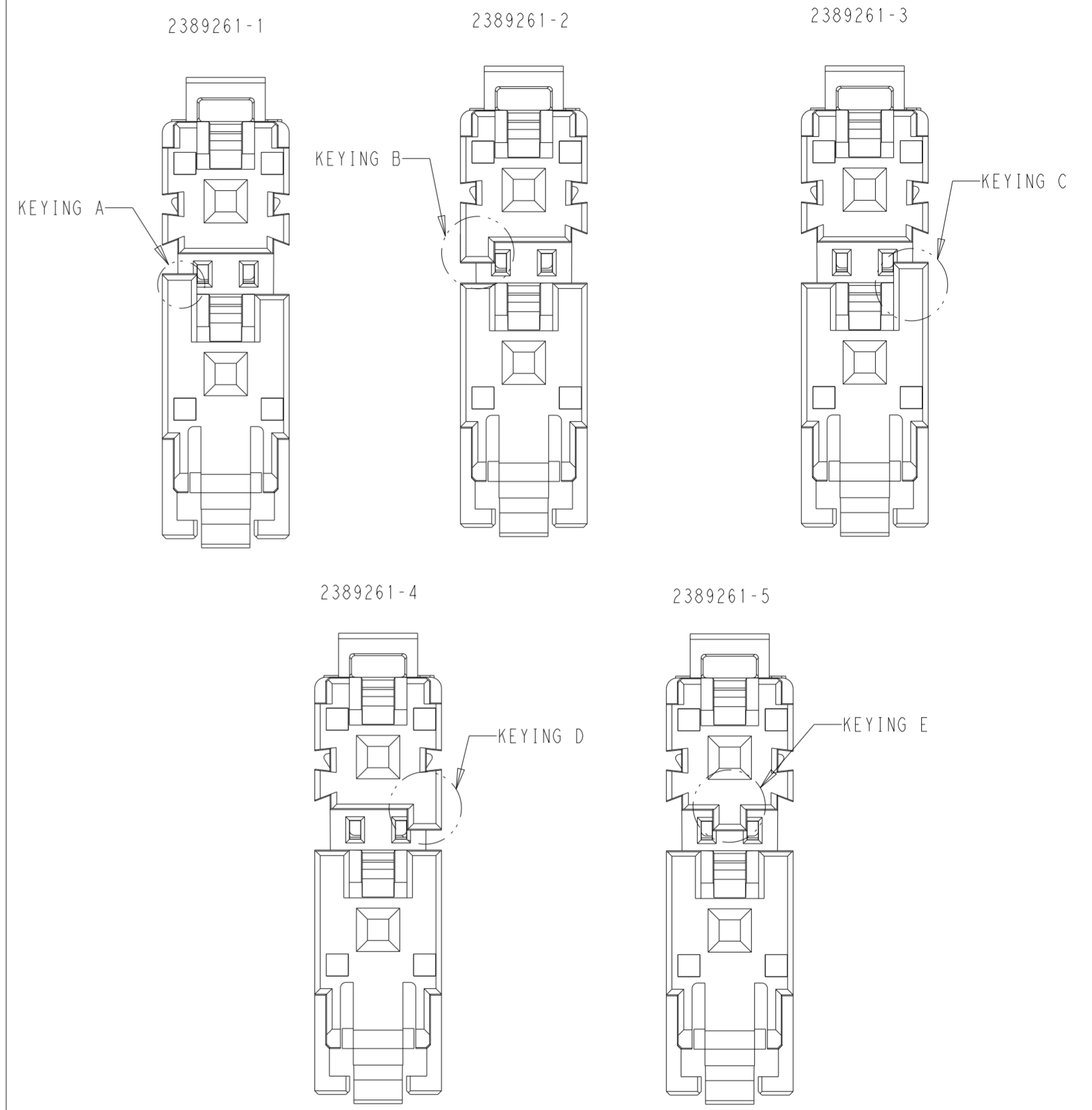
3.45

CIRCUIT NO. 1



REVISIONS					
P	LTR	DESCRIPTION	DATE	DWN	APVD
1		RELEASE PER ECN-23-240626	22NOV2023	CX	DZ

DIFFERENT KEYINGS SHOWN



E	YELLOW	2389261-5	6
D	BLUE	2389261-4	6
C	RED	2389261-3	6
B	BLACK	2389261-2	6
A	NATURAL	2389261-1	6
KEYING	COLOR	PART NUMBER	

THIS DRAWING IS A CONTROLLED DOCUMENT.

DIMENSIONS:	TOLERANCES UNLESS OTHERWISE SPECIFIED:	DWN	20MAY2022	TE Connectivity NAME PLUG ASSEMBLY, MULTI LOAD GI 2 POSITION			
mm	0 PLC ±	CHK	20MAY2022				
	1 PLC ±	APVD	20MAY2022				
	2 PLC ±0.20	PRODUCT SPEC	108-106638				
	3 PLC ±	APPLICATION SPEC	114-106638	SIZE	CAGE CODE	DRAWING NO	RESTRICTED TO
	4 PLC ±	WEIGHT	-	A2	00779	C-2389261	-
MATERIAL	ANGLES ±	CUSTOMER DRAWING		SCALE	8:1	SHEET	1 OF 1
	FINISH -			REV		A	

# Mouser Electronics

Authorized Distributor

Click to View Pricing, Inventory, Delivery & Lifecycle Information:

[TE Connectivity:](#)

[2389261-1](#)