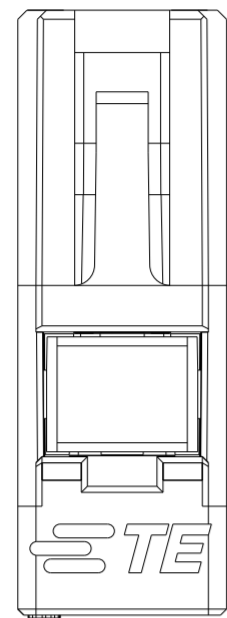


KEYING A SHOWN

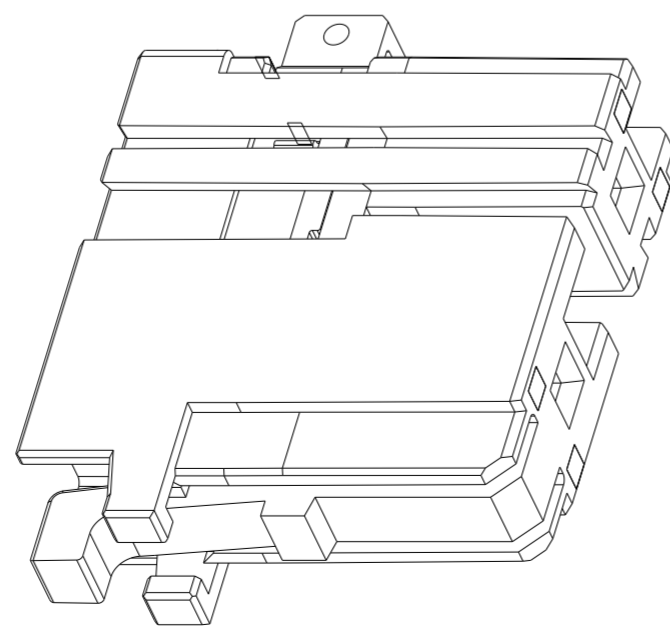
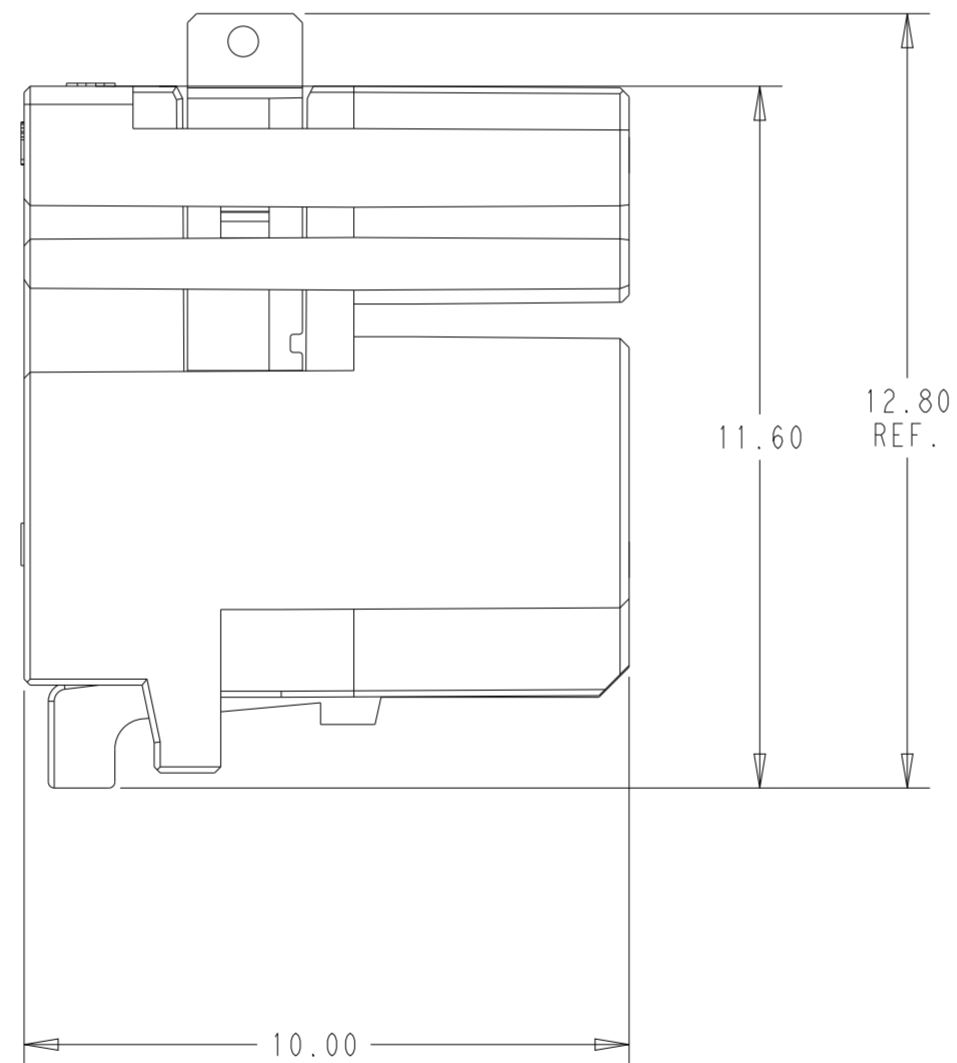
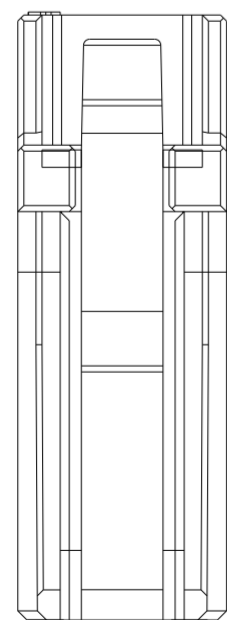
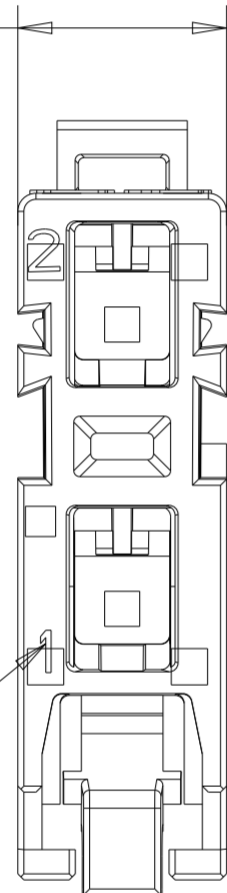


- 1 MATERIAL:  
PLUG HOUSING: NYLON66  
TPA: PBT
- 2. PART COLOR VARIES IN TINT AND MAY APPEAR UNEVENLY MIXED.
- 3. RECOMMENDED MATING PART :  
CONTACT: 2401417-1/2415838-1  
HEADER: 2374433/2374434/2374437.
- 4. PACKAGING: LOOSE PIECE.
- 5. PER IEC 60335-1 SECT. 30, GWEPT 750C, NO FLAME or Te-Ti LESS THAN 2S.
- 6 PRELIMINARY PART - NOT RELEASED FOR PRODUCTION.  
THIS PRODUCT HAS NOT COMPLETED QUALIFICATION TESTING.

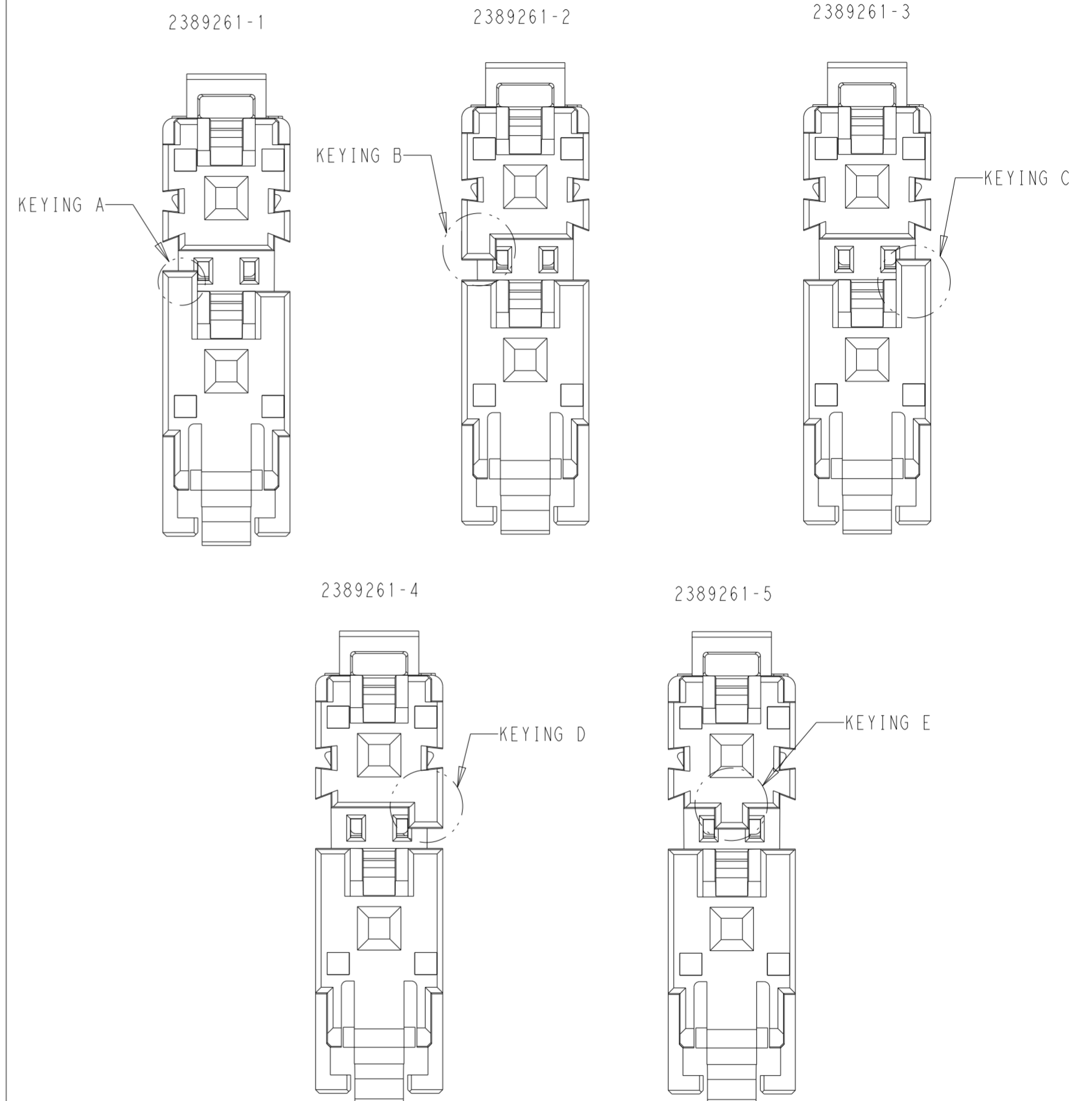
THIS PRINT IS  
**PRELIMINARY**  
UNQUALIFIED PRODUCT  
CONTACT PRODUCT ENGINEERING  
BEFORE USING THIS PRINT

3.45

CIRCUIT NO. 1



DIFFERENT KEYINGS SHOWN



E	YELLOW	2389261-5	6
D	BLUE	2389261-4	6
C	RED	2389261-3	6
B	BLACK	2389261-2	6
A	NATURAL	2389261-1	6
KEYING	COLOR	PART NUMBER	

REVISIONS					
P	LTR	DESCRIPTION	DATE	DWN	APVD
1		RELEASE PER ECN-23-240626	22NOV2023	CX	DZ

THIS DRAWING IS A CONTROLLED DOCUMENT.		DWN C. XU 20MAY2022	TE Connectivity		
DIMENSIONS: mm		CHK D. ZHANG 20MAY2022			
TOLERANCES UNLESS OTHERWISE SPECIFIED:		APVD D. ZHANG 20MAY2022	NAME PLUG ASSEMBLY, MULTI LOAD GI 2 POSITION		
0 PLC ±		PRODUCT SPEC 108-106638	SIZE A2	CAGE CODE 00779	DRAWING NO C-2389261
1 PLC ±		APPLICATION SPEC 114-106638	RESTRICTED TO		
2 PLC ±0.20		WEIGHT -	SCALE 8:1 SHEET 1 OF 1 REV A		
3 PLC ±		CUSTOMER DRAWING			
4 PLC ±					
ANGLES ±					
FINISH -					

# Mouser Electronics

Authorized Distributor

Click to View Pricing, Inventory, Delivery & Lifecycle Information:

[TE Connectivity:](#)

[2389261-4](#)