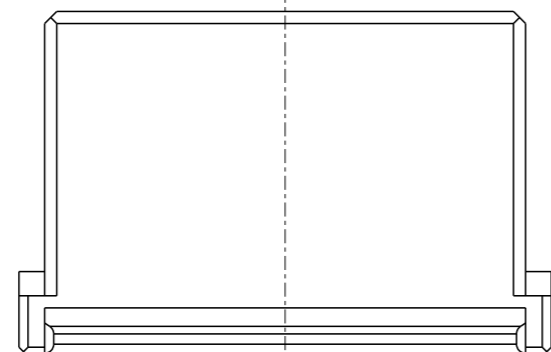
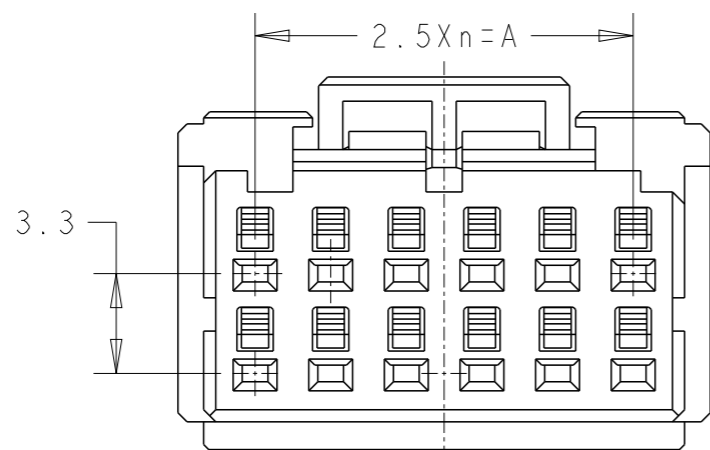
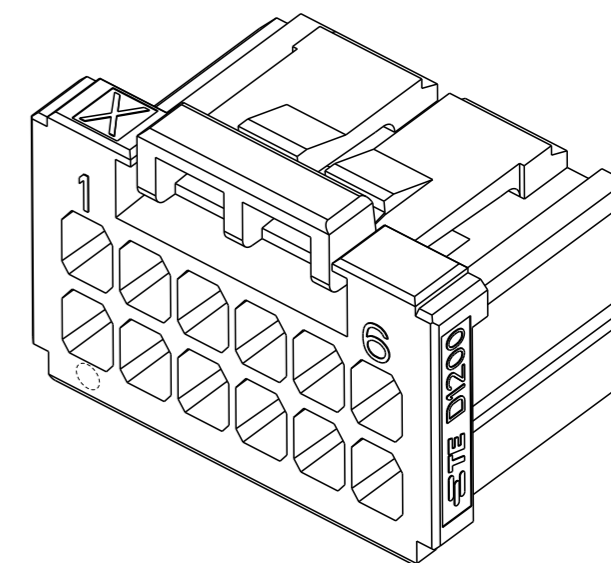
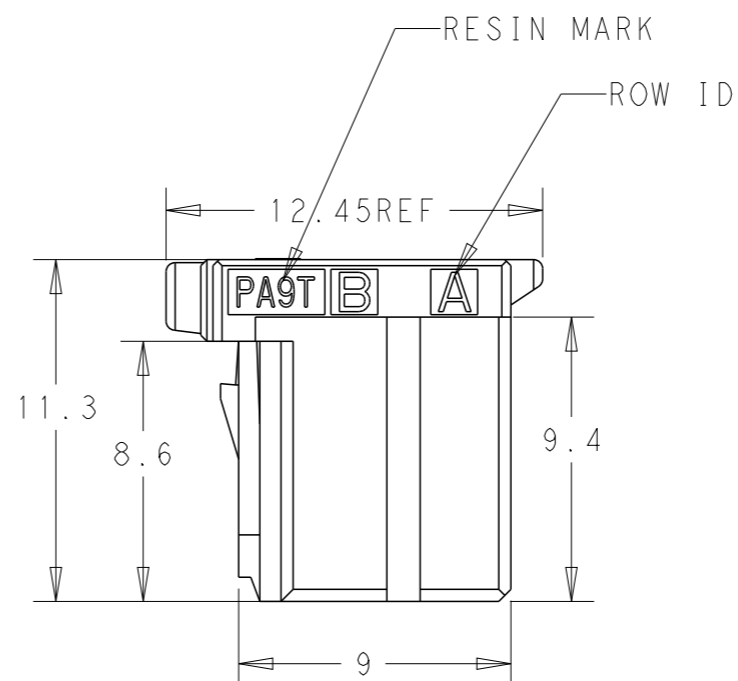
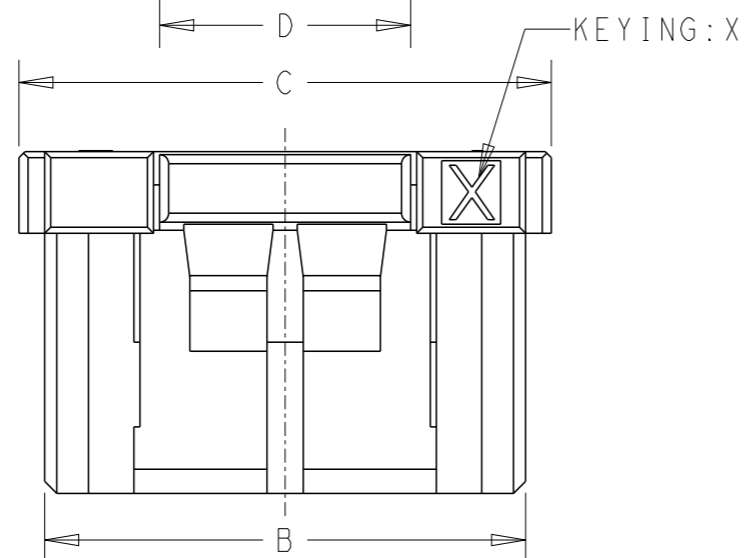
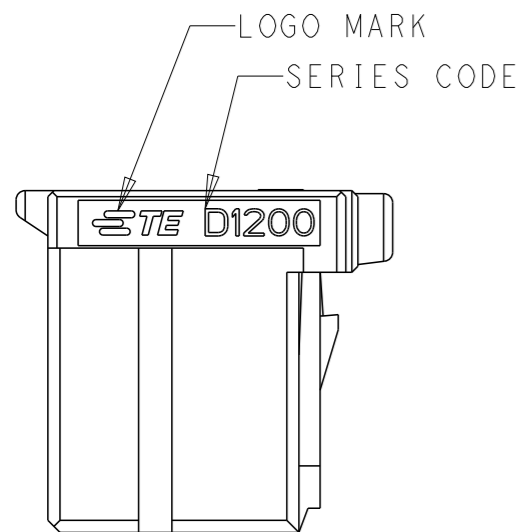
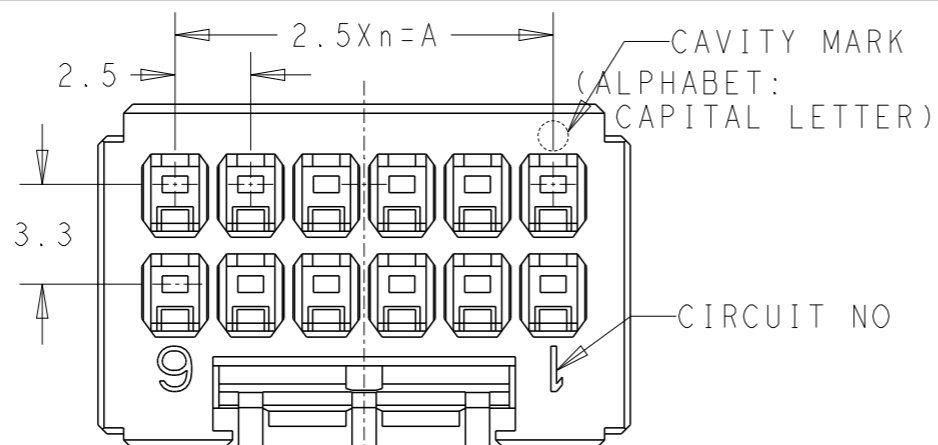


P	LTR	DESCRIPTION	DATE	DWN	APVD
	C1	REVISED PER ECR-23-188415	27SEP2023	R.W	R.B
	D	REVISED PER ECR-24-214097	12JUL2024	R.W	R.B



12POS(X-KEY):1-2349949-6

- 1 MATERIAL:GLASS FILED THERMO PLASTIC POLYESTER(94V-0), COLOR:BLACK
- 2.THE SHAPE, SIZE AND POSITION OF THE CHARACTER SHOW THE OUTLINE. THEY DON'T SHOW DETAILS.

20	X	9	22.5	25.9	27.6	8.3	1-2349949-0
12	Y	5	12.5	15.9	17.6	8.3	2-2349949-6
12	X	5	12.5	15.9	17.6	8.3	1-2349949-6
8	X	3	7.5	10.9	12.6	3.3	1-2349949-4
6	X	2	5.0	8.4	10.1	3.3	1-2349949-3
4	X	1	2.5	5.9	7.6	3.1	1-2349949-2
POSKEY	n	A	B	C	D		PART NO

THIS DRAWING IS A CONTROLLED DOCUMENT.		DWN	15-Jan-19		TE Connectivity			
DIMENSIONS: mm		CHK	15JAN2019					
TOLERANCES UNLESS OTHERWISE SPECIFIED: ±0.3, ±5°		APVD	15JAN2019		NAME DYNAMIC D1200D 2.5mm PIITCH REC HSG 8-12POS			
0 PLC ±		PRODUCT SPEC	108-78298, 78268, 137366					
1 PLC ±		APPLICATION SPEC	114-5377		SIZE	CAGE CODE	DRAWING NO	RESTRICTED TO
2 PLC ±		WEIGHT	-		A3	00779	C-2349949	-
3 PLC ±		MATERIAL		FINISH		SCALE	SHEET	REV
4 PLC ±						3:1	1 OF 2	D
ANGLES ±		CUSTOMER DRAWING						
1								

THIS DRAWING IS UNPUBLISHED.

RELEASED FOR PUBLICATION

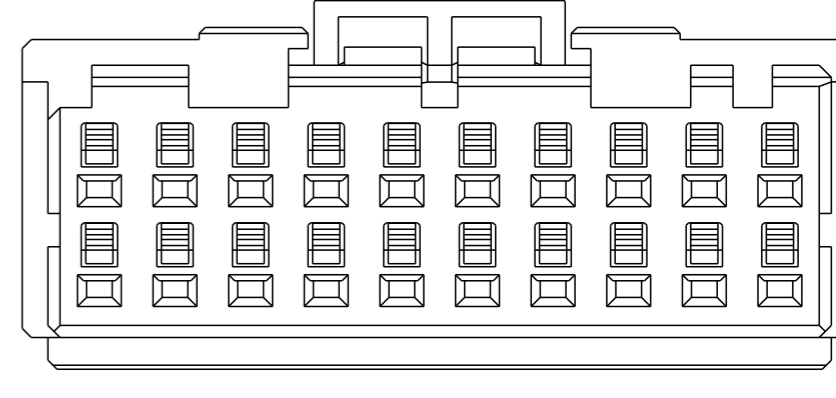
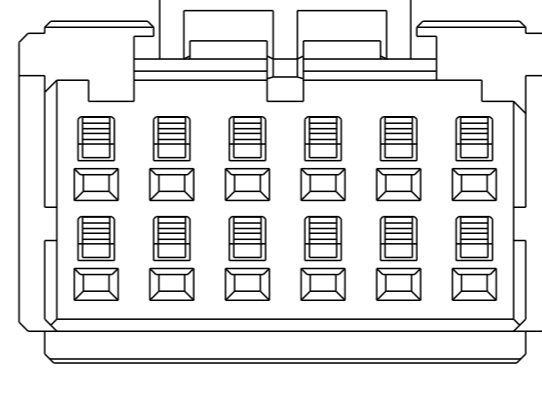
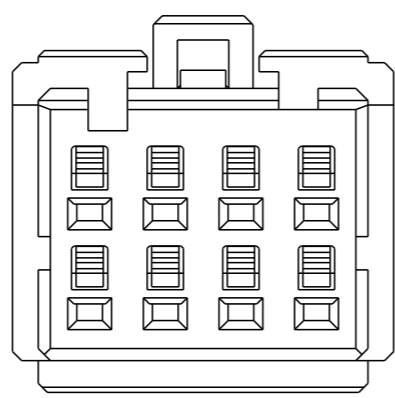
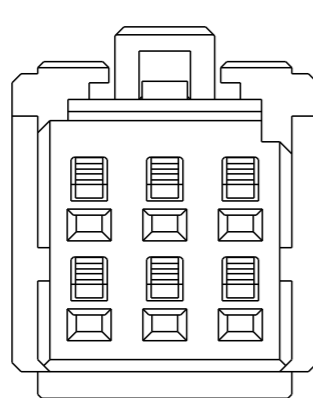
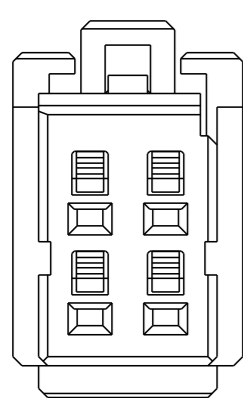
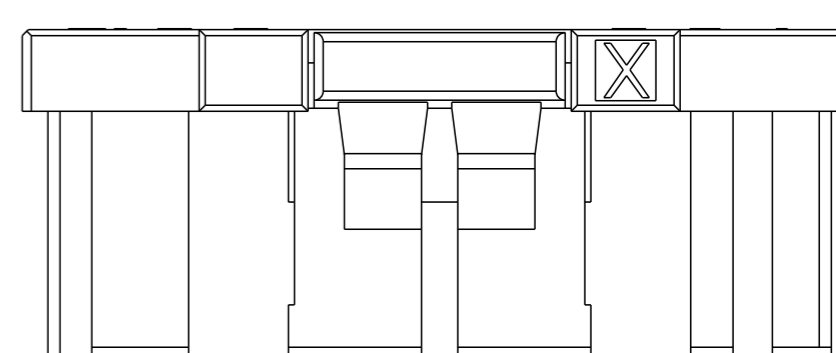
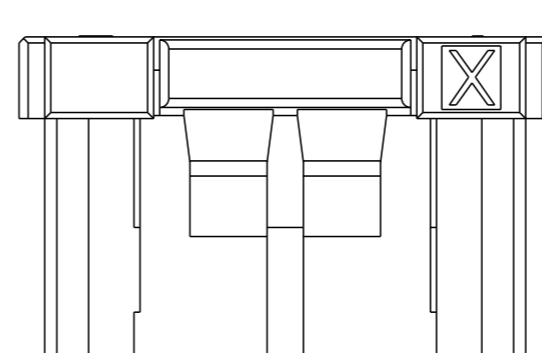
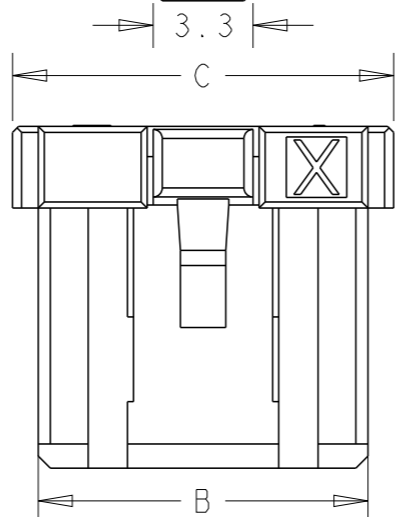
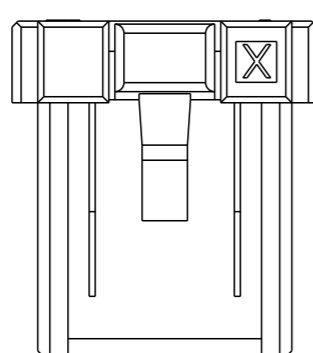
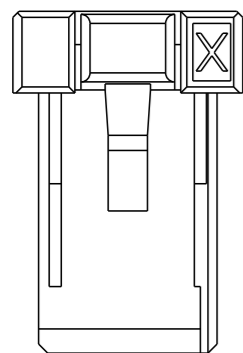
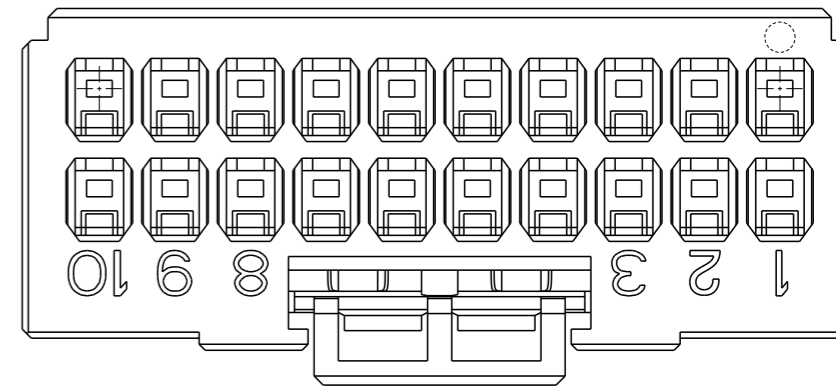
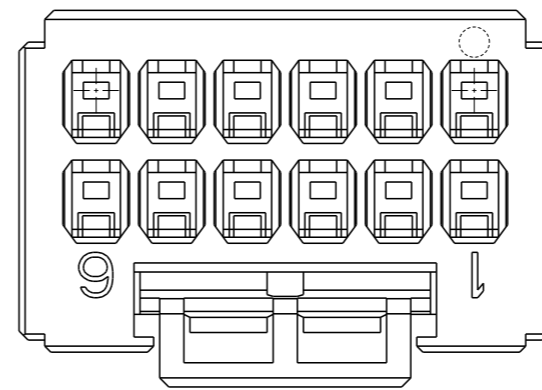
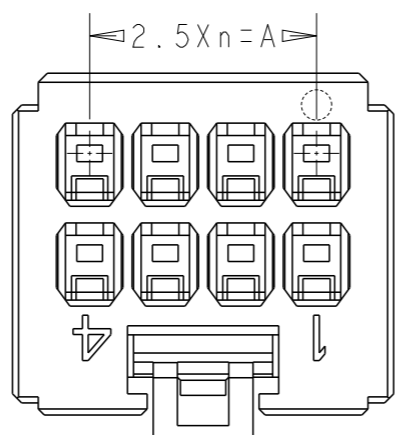
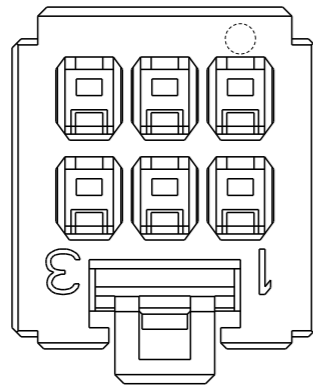
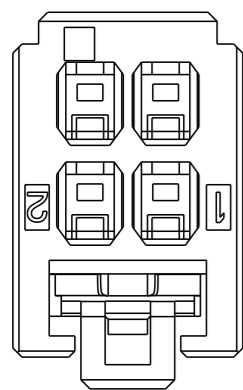
20

REVISIONS

© COPYRIGHT 20 BY -

ALL RIGHTS RESERVED.

P	LTR	DESCRIPTION	DATE	DWN	APVD
		SEE SHEET 1			



4POS: 1-2349949-2



6POS: 1-2349949-3

8POS: 1-2349949-4

12POS: 1-2349949-6

20POS: 1-2349949-0

Ⓐ ADD NEW PART: 1-2349949-0

THIS DRAWING IS A CONTROLLED DOCUMENT.		DWN FISHER.ZHU 15-Jan-19	 TE Connectivity		
DIMENSIONS: mm		CHK RICK.BIAN 15JAN2019			
TOLERANCES UNLESS OTHERWISE SPECIFIED:		APVD RICK.BIAN 15JAN2019	NAME DYNAMIC D1200D 2.5mm PITCH REC HSG 8-12POS		
		PRODUCT SPEC	RESTRICTED TO		
0 PLC ± - 1 PLC ± - 2 PLC ± - 3 PLC ± - 4 PLC ± - ANGLES ± - FINISH -		APPLICATION SPEC 114-5377	SIZE A3	CAGE CODE 00779	DRAWING NO 2349949
MATERIAL		WEIGHT -	SCALE 3:1		
		CUSTOMER DRAWING	SHEET 2 OF 2		
			REV D		

Mouser Electronics

Authorized Distributor

Click to View Pricing, Inventory, Delivery & Lifecycle Information:

[TE Connectivity:](#)

[2-2349949-6](#)