

THIS DRAWING IS UNPUBLISHED.

RELEASED FOR PUBLICATION

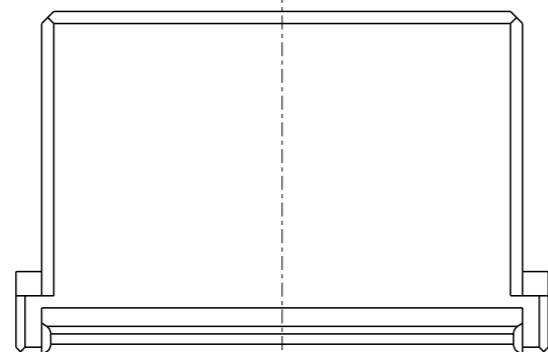
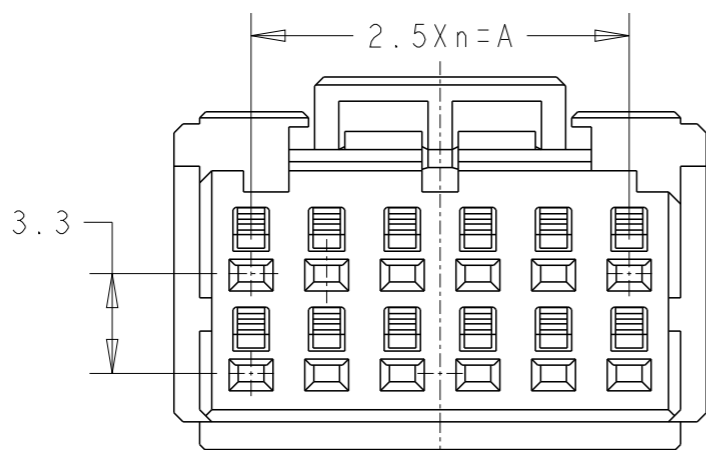
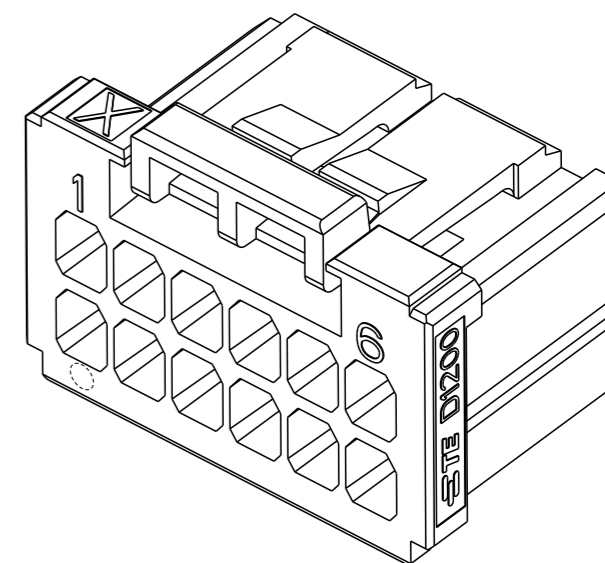
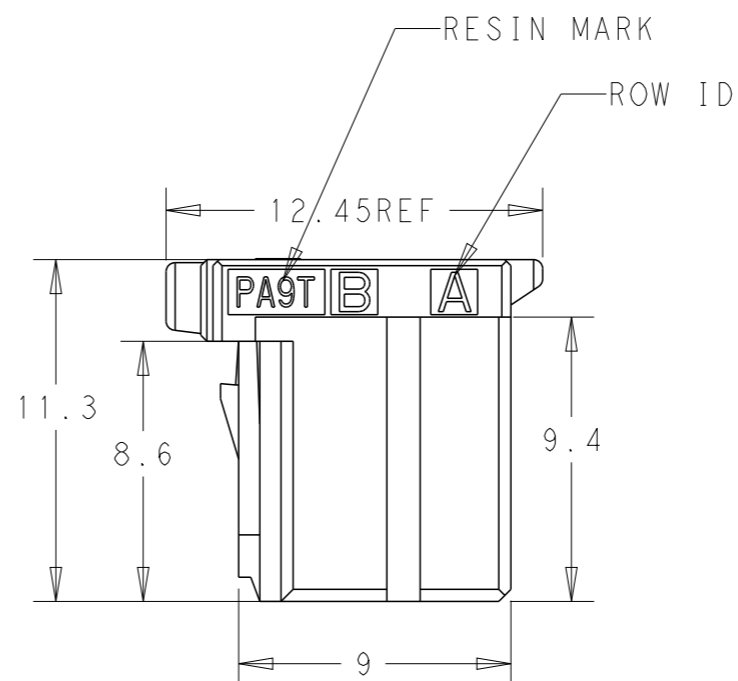
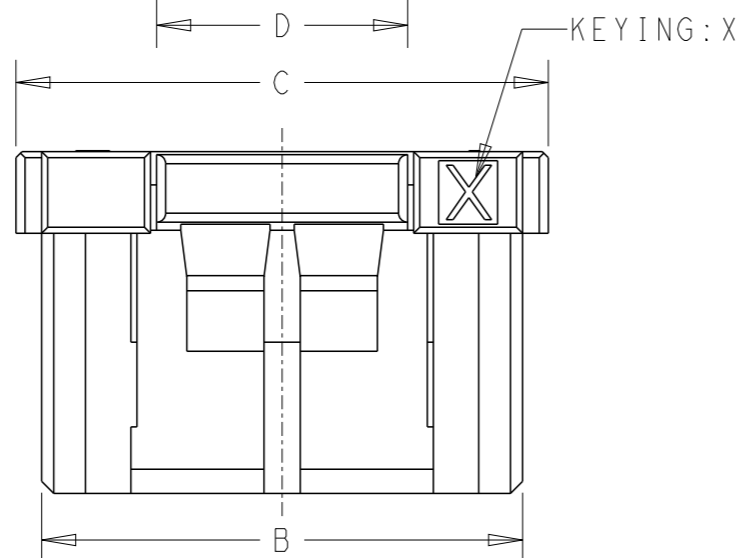
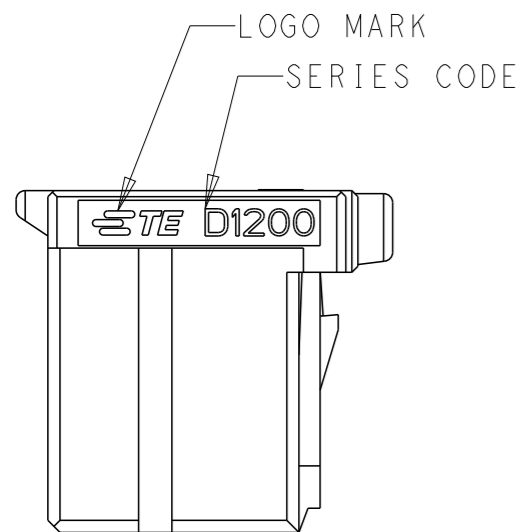
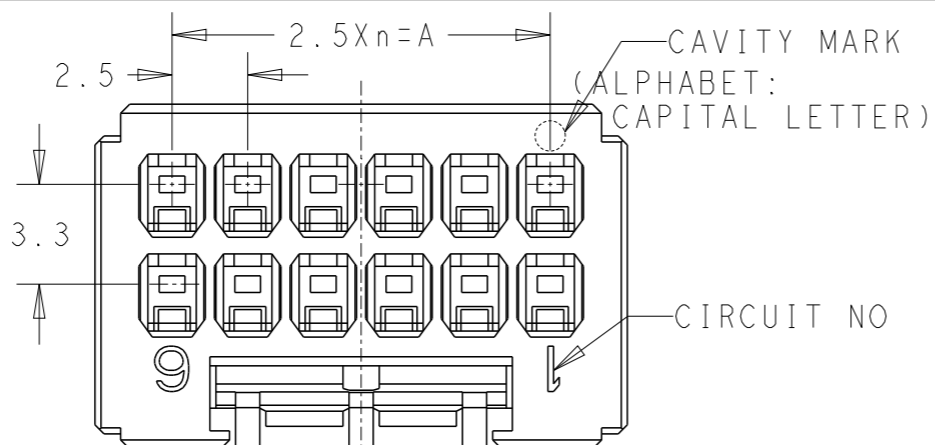
20

© COPYRIGHT 20 BY -

ALL RIGHTS RESERVED.

REVISIONS

P	LTR	DESCRIPTION	DATE	DWN	APVD
C1		REVISED PER ECR-23-188415	27SEP2023	R.W	R.B
D		REVISED PER ECR-24-214097	12JUL2024	R.W	R.B



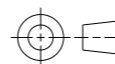
12POS(X-KEY):1-2349949-6

- 1 MATERIAL:GLASS FILED THERMO PLASTIC POLYESTER(94V-0), COLOR:BLACK
- 2.THE SHAPE, SIZE AND POSITION OF THE CHARACTER SHOW THE OUTLINE. THEY DON'T SHOW DETAILS.

20	X	9	22.5	25.9	27.6	8.3	1-2349949-0
12	Y	5	12.5	15.9	17.6	8.3	2-2349949-6
12	X	5	12.5	15.9	17.6	8.3	1-2349949-6
8	X	3	7.5	10.9	12.6	3.3	1-2349949-4
6	X	2	5.0	8.4	10.1	3.3	1-2349949-3
4	X	1	2.5	5.9	7.6	3.1	1-2349949-2
POSKEY	n	A	B	C	D		PART NO

THIS DRAWING IS A CONTROLLED DOCUMENT.

DIMENSIONS:
mm



MATERIAL



TOLERANCES UNLESS OTHERWISE SPECIFIED:
±0.3, ±5°

- 0 PLC ±
- 1 PLC ±
- 2 PLC ±
- 3 PLC ±
- 4 PLC ±
- ANGLES ±

FINISH

DWN 15-Jan-19

FISHER.ZHU

CHK 15JAN2019

RICK.BIAN

APVD 15JAN2019

RICK.BIAN

PRODUCT SPEC

108-78298,78268,137366

APPLICATION SPEC

114-5377

WEIGHT -

CUSTOMER DRAWING



TE Connectivity

NAME DYNAMIC D1200D 2.5mm PIITCH REC HSG 8-12POS

SIZE CAGE CODE DRAWING NO RESTRICTED TO

A300779 C-2349949 -

SCALE 3:1 SHEET 1 OF 2 REV D

4

3

2

1

THIS DRAWING IS UNPUBLISHED.

RELEASED FOR PUBLICATION

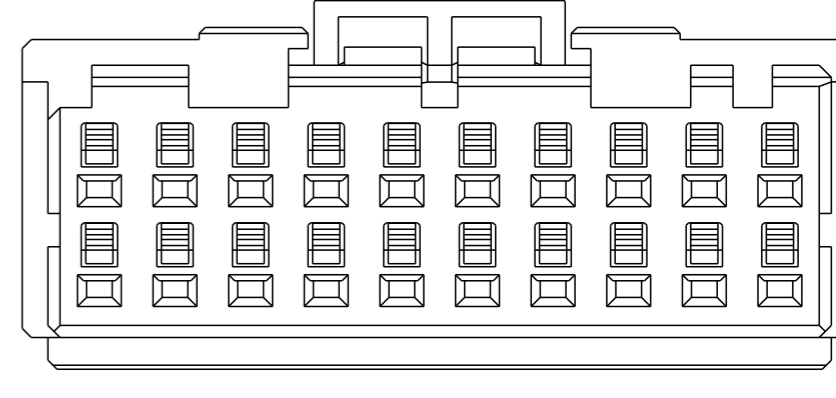
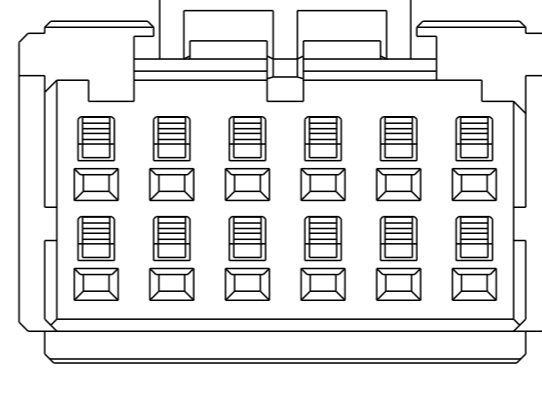
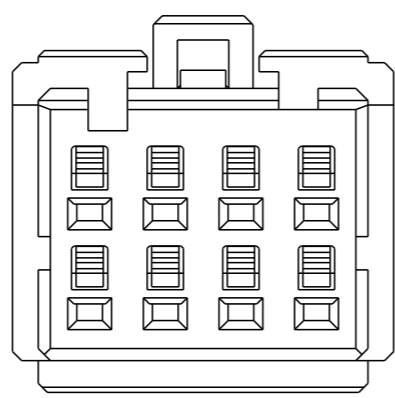
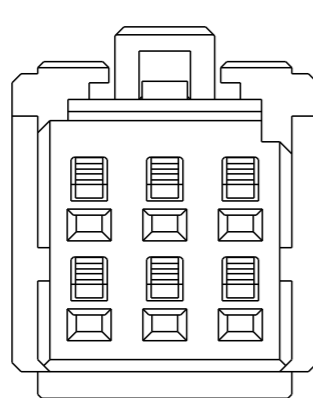
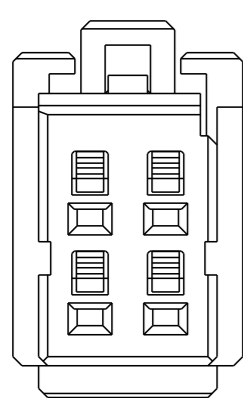
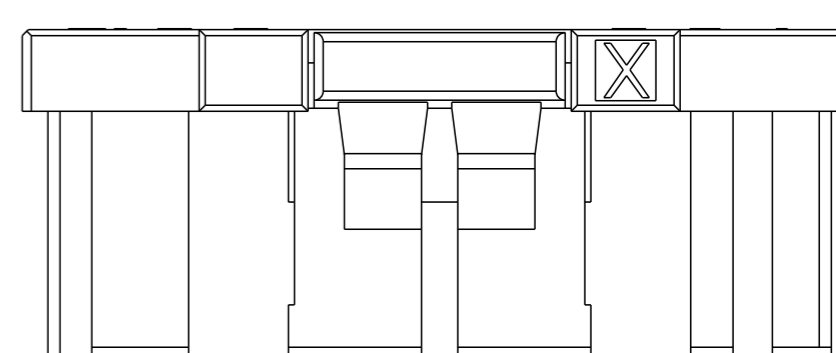
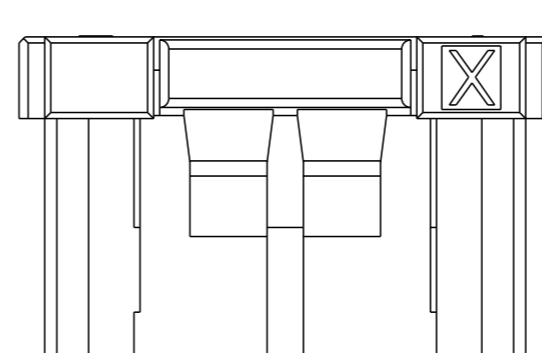
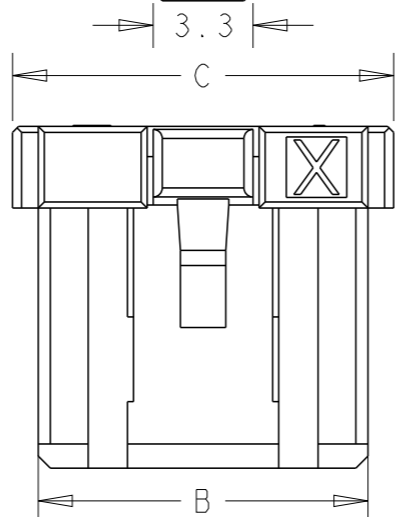
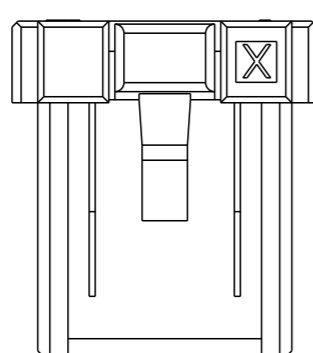
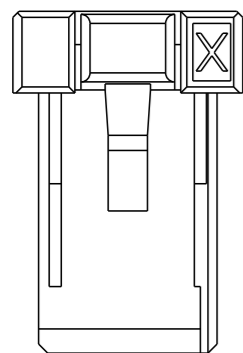
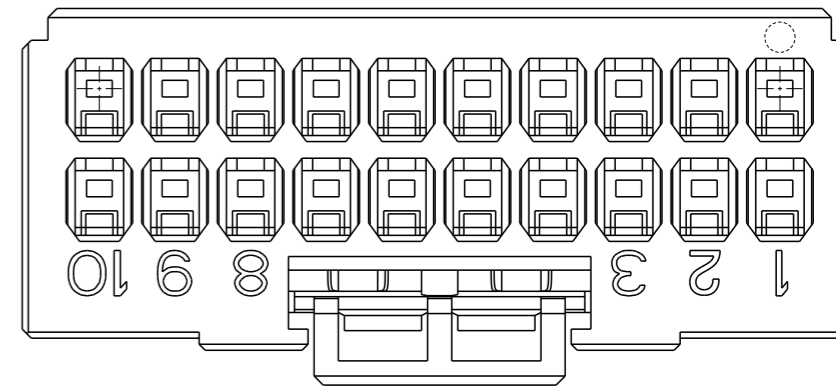
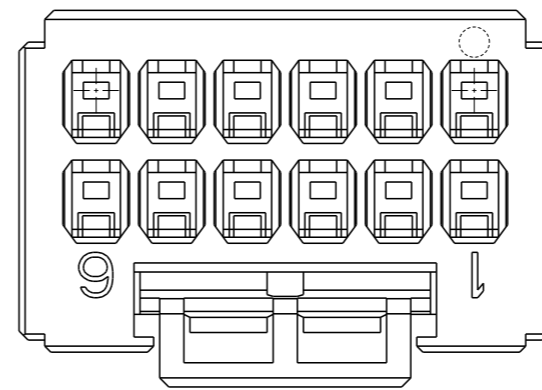
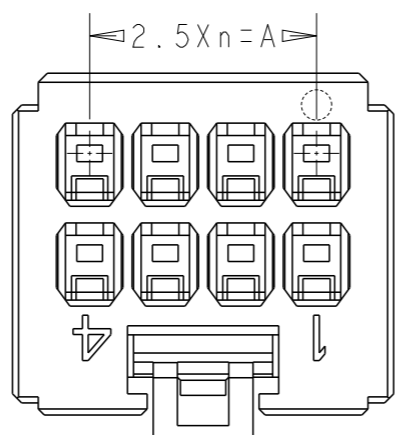
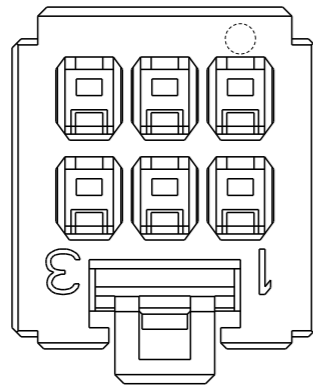
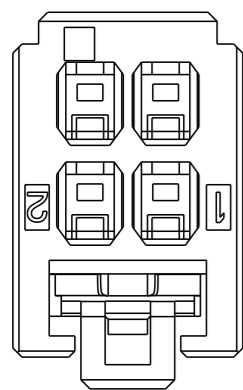
20

REVISIONS

© COPYRIGHT 20 BY -

ALL RIGHTS RESERVED.

P	LTR	DESCRIPTION	DATE	DWN	APVD
		SEE SHEET 1			



4POS: 1-2349949-2



6POS: 1-2349949-3

8POS: 1-2349949-4

12POS: 1-2349949-6

20POS: 1-2349949-0

Ⓐ ADD NEW PART: 1-2349949-0

THIS DRAWING IS A CONTROLLED DOCUMENT.		DWN FISHER.ZHU 15-Jan-19	 TE Connectivity		
DIMENSIONS: mm		CHK RICK.BIAN 15JAN2019			
TOLERANCES UNLESS OTHERWISE SPECIFIED:		APVD RICK.BIAN 15JAN2019	NAME DYNAMIC D1200D 2.5mm PITCH REC HSG 8-12POS		
		PRODUCT SPEC	RESTRICTED TO		
0 PLC ± - 1 PLC ± - 2 PLC ± - 3 PLC ± - 4 PLC ± - ANGLES ± - FINISH -		APPLICATION SPEC 114-5377	SIZE A3	CAGE CODE 00779	DRAWING NO 2349949
MATERIAL		WEIGHT -	SCALE 3:1		
		CUSTOMER DRAWING	SHEET 2 OF 2		
			REV D		

Mouser Electronics

Authorized Distributor

Click to View Pricing, Inventory, Delivery & Lifecycle Information:

[TE Connectivity:](#)

[1-2349949-0](#)