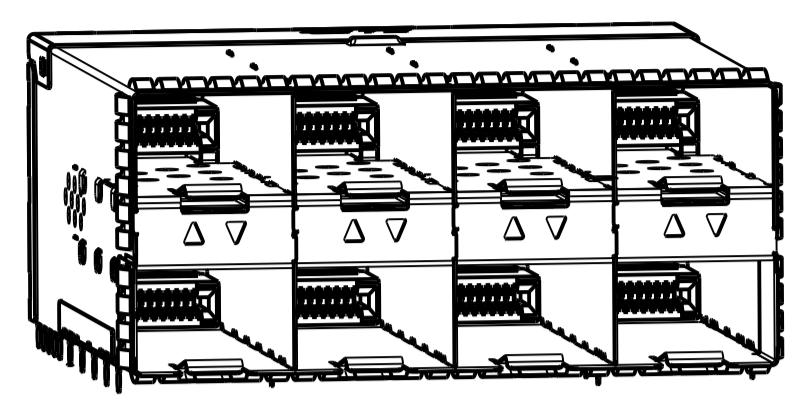
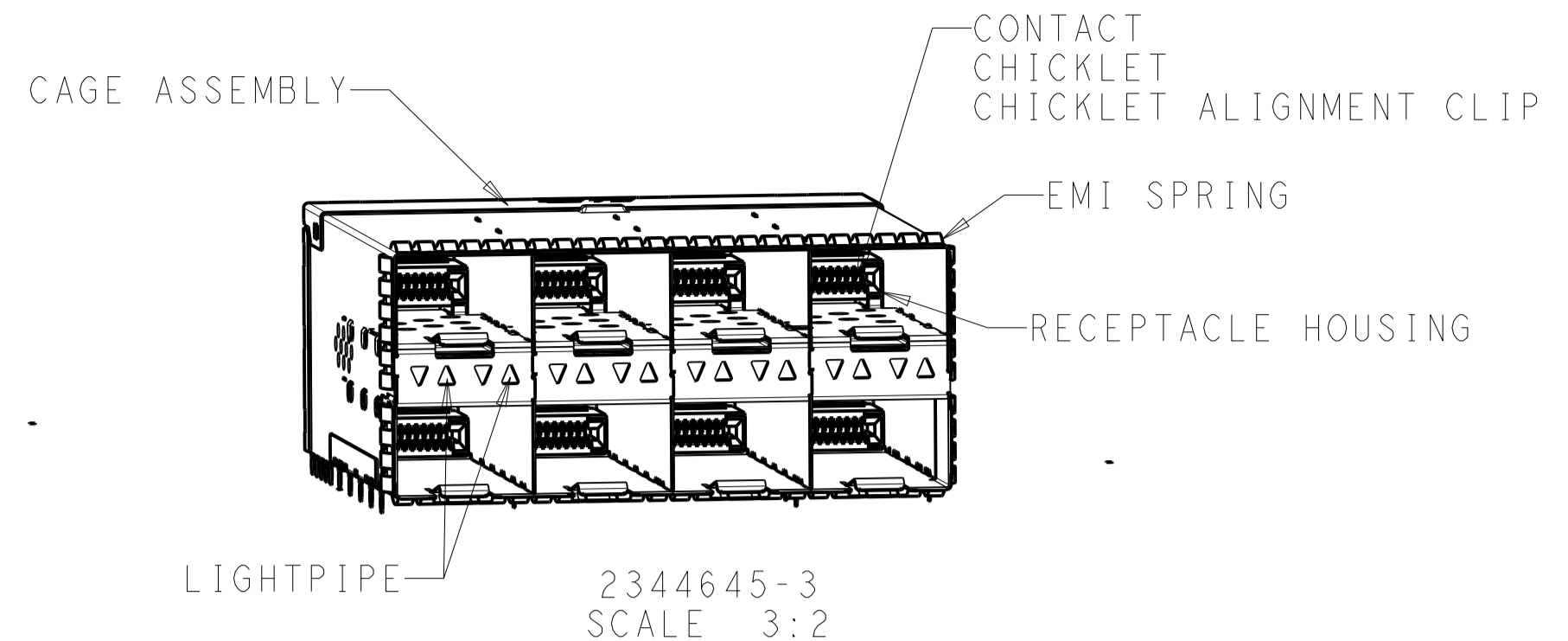


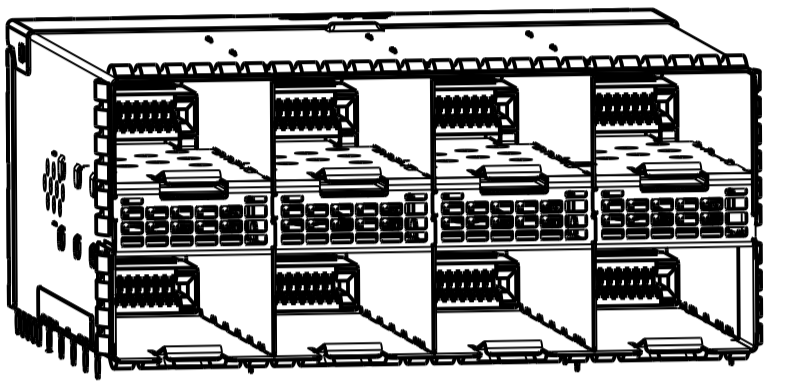
LOC	DIST	REVISIONS			
		REV	DATE	BY	CHK
GP	00	B	27JUN2019	JY	SH
		C	29NOV2019	JY	SH
		D	13AUG2020	JW	SH
		D1	18FEB2021	SZ	SZ



2344645-2
SCALE 3:2



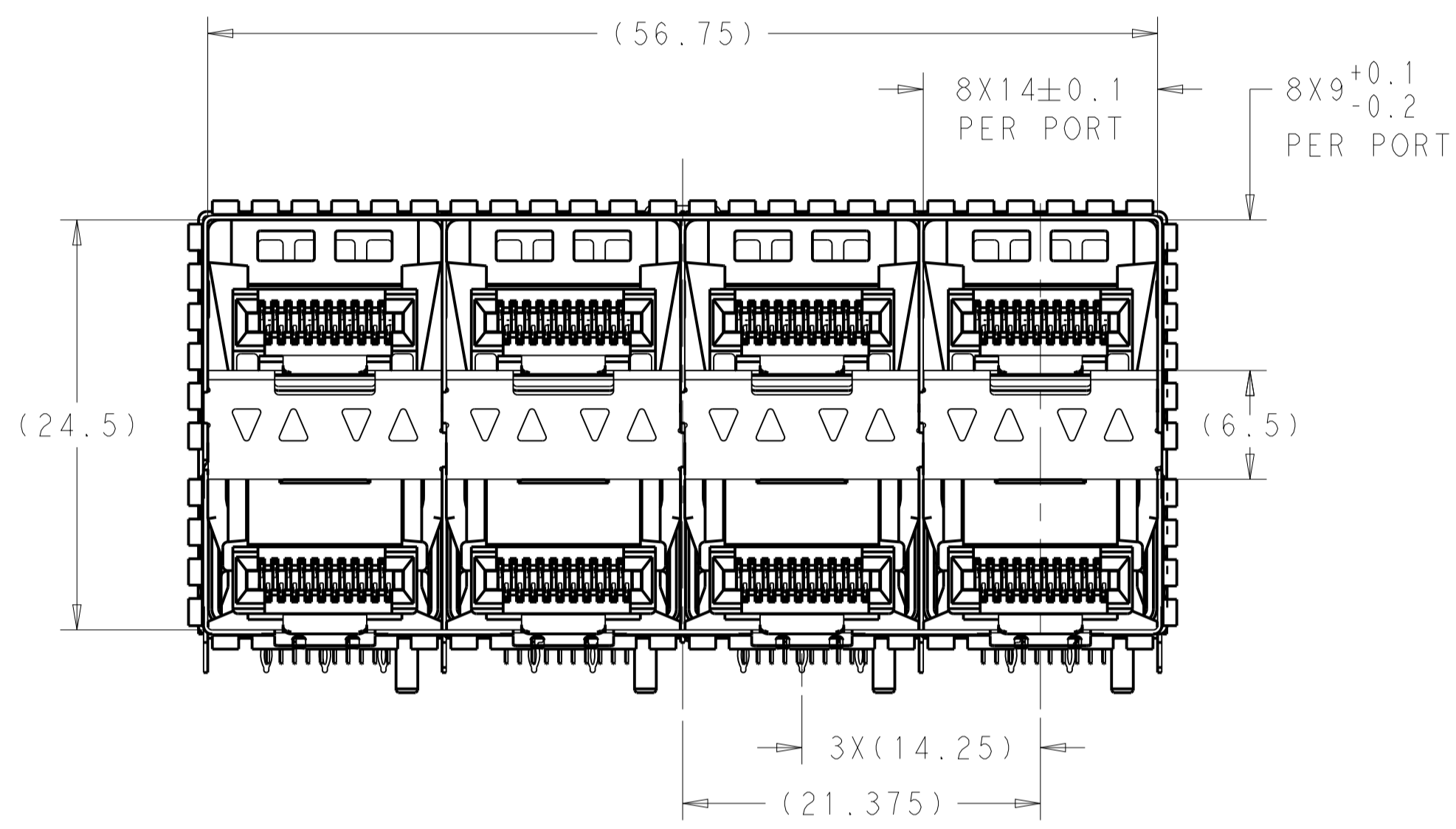
2344645-3
SCALE 3:2



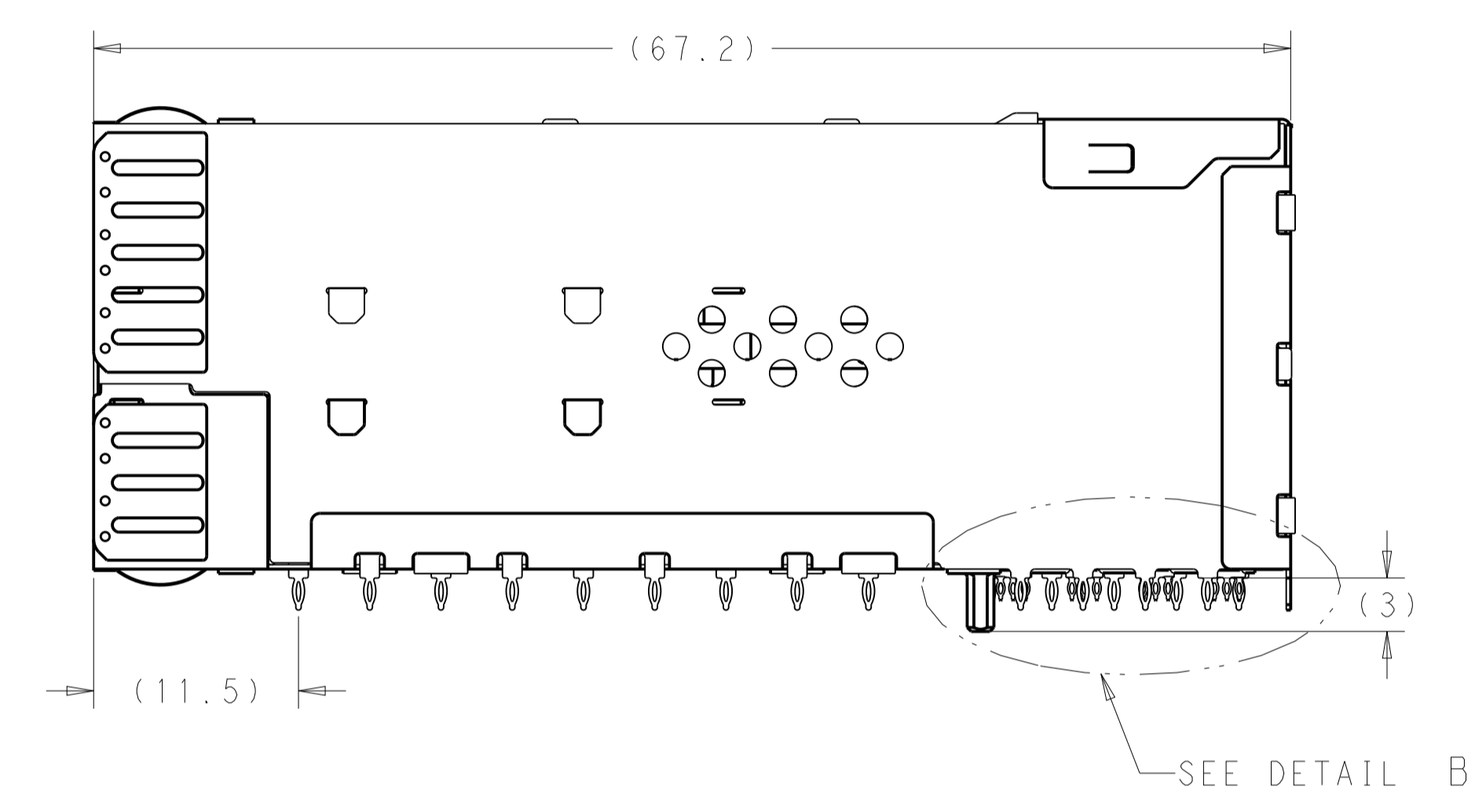
1-2344645-1
SCALE 3:2

- MATERIALS:
 CAGE ASSEMBLY - STAINLESS STEEL
 CONNECTOR HOUSING - LCP, BLACK, UL 94V-0 RATED
 CHICKLET - LCP, BLACK, UL 94V-0 RATED
 CHICKLET ALIGNMENT CLIP - LCP, BLACK, UL94V-0 RATED
 CONTACT - COPPER ALLOY
 LIGHTPIPE-POLYCARBONATE, CLEAR
 EMI SPRINGS - PHOSPHOR BRONZE PER ASTM B 103,
 0.8µm MIN TIN OVER NICKEL PATING
- CONTACT FINISH:
 0.76µm MIN GOLD PER ASTM B 844 AT MATING INTERFACE,
 1.25µm MIN MATTE TIN PER ASTM B 545 AT PCB INTERFACE
 ALLOVER 2.54µm MIN NICKEL PER QQ-N-290.
- PCB MINIMUM THICKNESS FOR SINGLE SIDE= 1.5mm MIN
 PCB MINIMUM THICKNESS FOR BELLY TO BELLY=3mm MIN

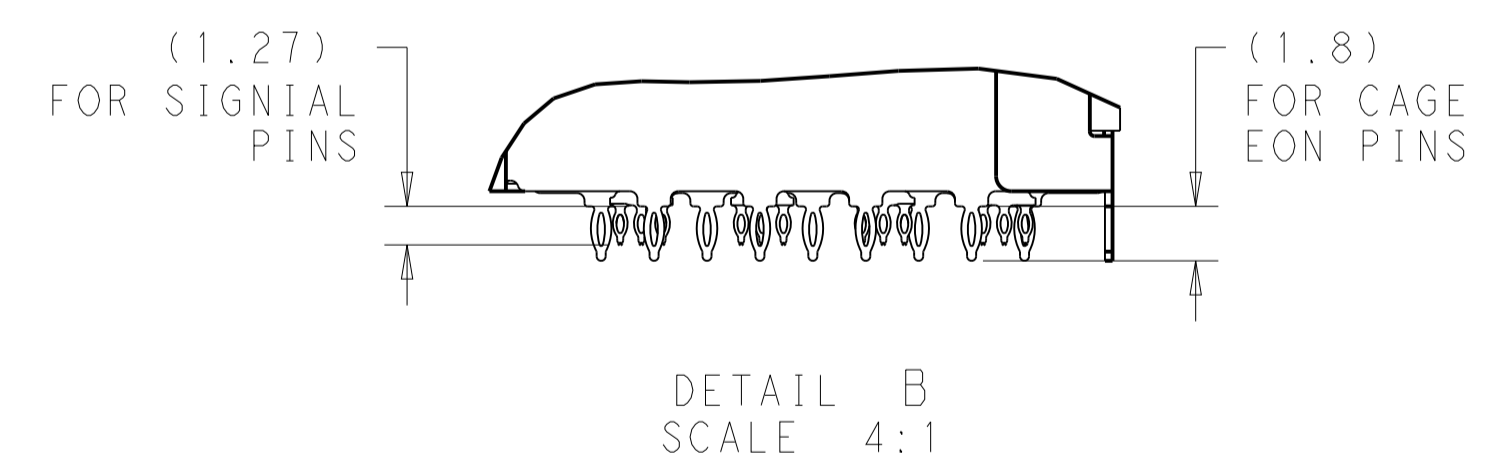
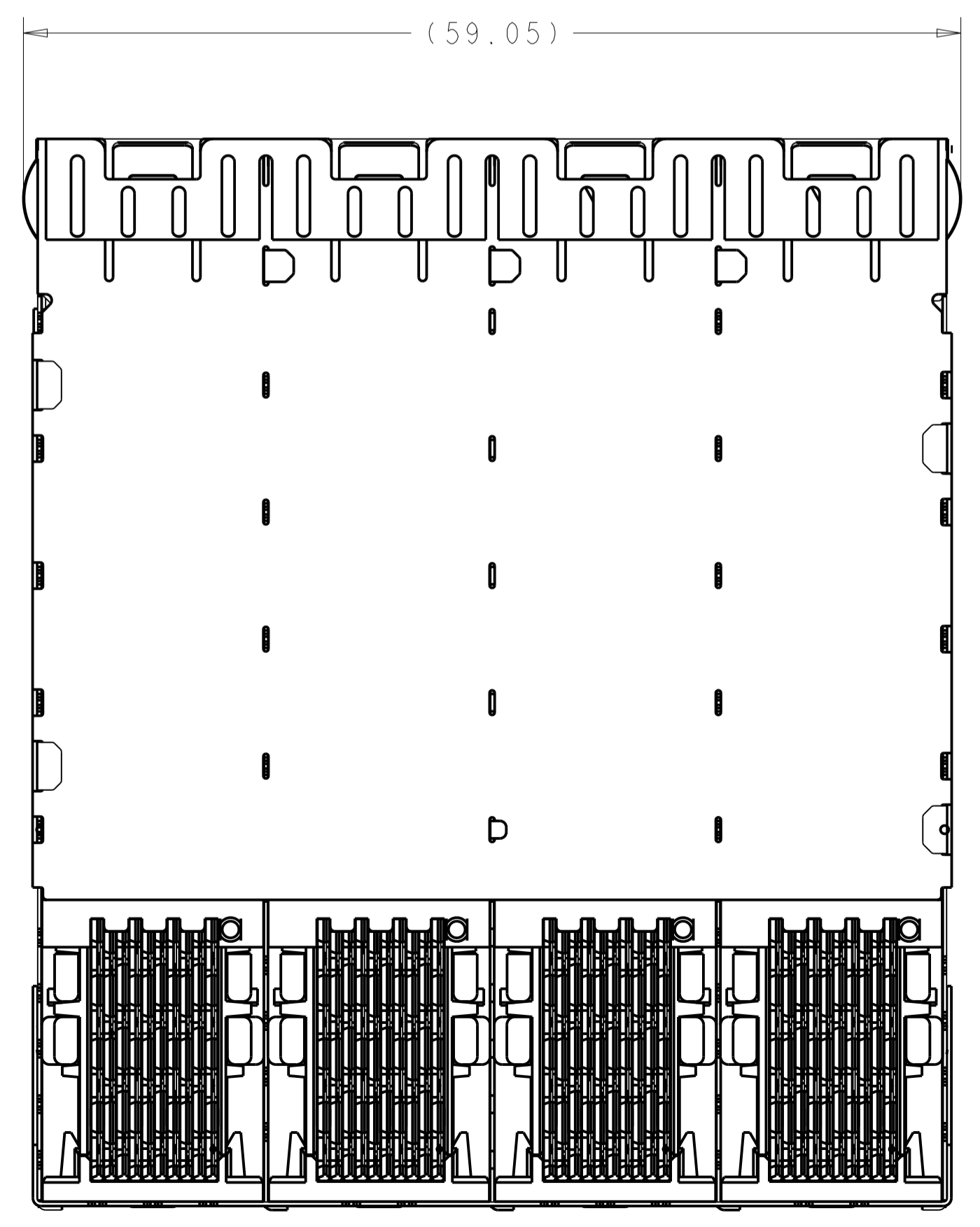
- △ FOR HOLE SIZE AND PLATINGS, SEE APPLICATION SPECIFICATION 114-13319
- △ LIGHT PIPE PAD LAYOUT IS FOR 0805 LOW PROFILE LED PACKAGE WITH A HEIGHT OF 0.8mm
- △ DIMENSIONS APPLY FOR EMI SPRINGS ONLY
- △ THE ENTIRE AREA OF THE CONNECTOR FOOTPRINT, INDICATED BY THE DASHED LINE, TO BE CONSIDERED THE KEEP-OUT AREA FOR COMPONENTS AND SIGNAL TRACES, TOP SIDE ONLY, TOP SIDE TRACES IS NOT ALLOWED WITHIN CONNECTOR HOLE PATTERN



2344645-3 AS SHOWN



SEE DETAIL B



DETAIL B
SCALE 4:1

59.5	NO LIGHTPIPE AIRFLOW ENHANCE TYPE	1-2344645-1
59.5	INNER/OUTER LIGHTPIPE AIRFLOW ENHANCE TYPE	2344645-3
59.5	INNER LIGHTPIPE AIRFLOW ENHANCE TYPE	2344645-2
(E)	CAGE TYPE	PART NUMBER

THIS DRAWING IS A CONTROLLED DOCUMENT.

DIMENSIONS: mm

TOLERANCES UNLESS OTHERWISE SPECIFIED:

0 PLC	±
1 PLC	±0.25
2 PLC	±0.25
3 PLC	±0.25
4 PLC	±

ANGLES: °

FINISH: SEE NOTES

THIS DRAWING IS UNPUBLISHED. RELEASED FOR PUBLICATION. ALL RIGHTS RESERVED.

OWN: J. WANG 09OCT2018
 CHK: S. HAN 09OCT2018
 APVD: S. HAN 09OCT2018

NAME: RECEPTACLE ASSEMBLY, 2X4 zSFP+ STACKED BELLY TO BELLY

PRODUCT SPEC: 108-60129
 APPLICATION SPEC: 114-13319

SIZE: A1
 CAGE CODE: 00779
 DRAWING NO: 2344645

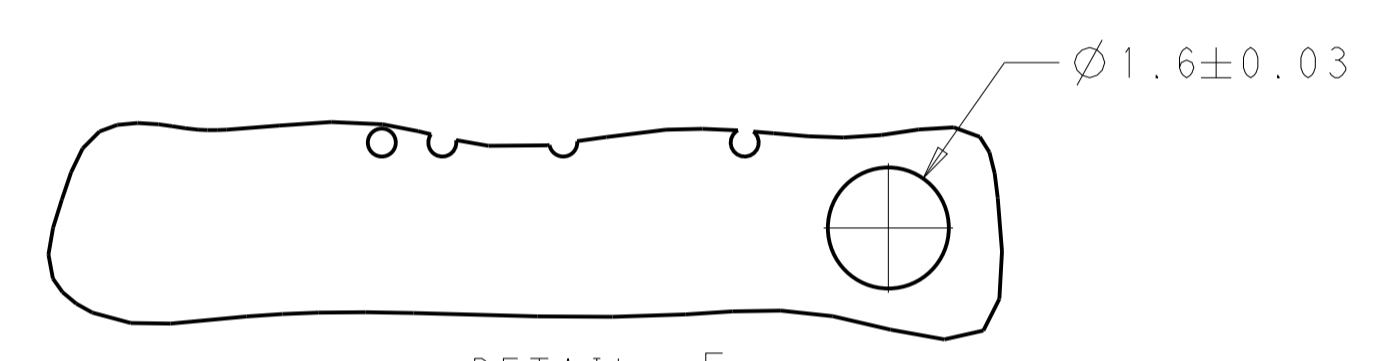
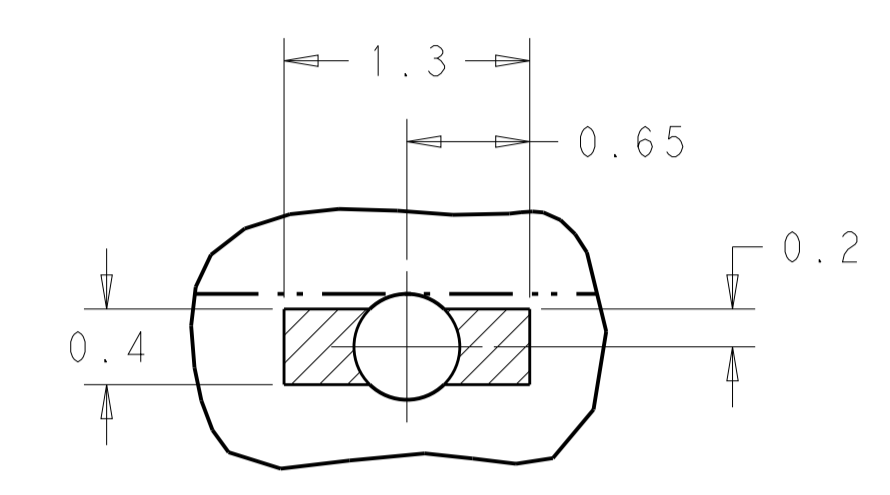
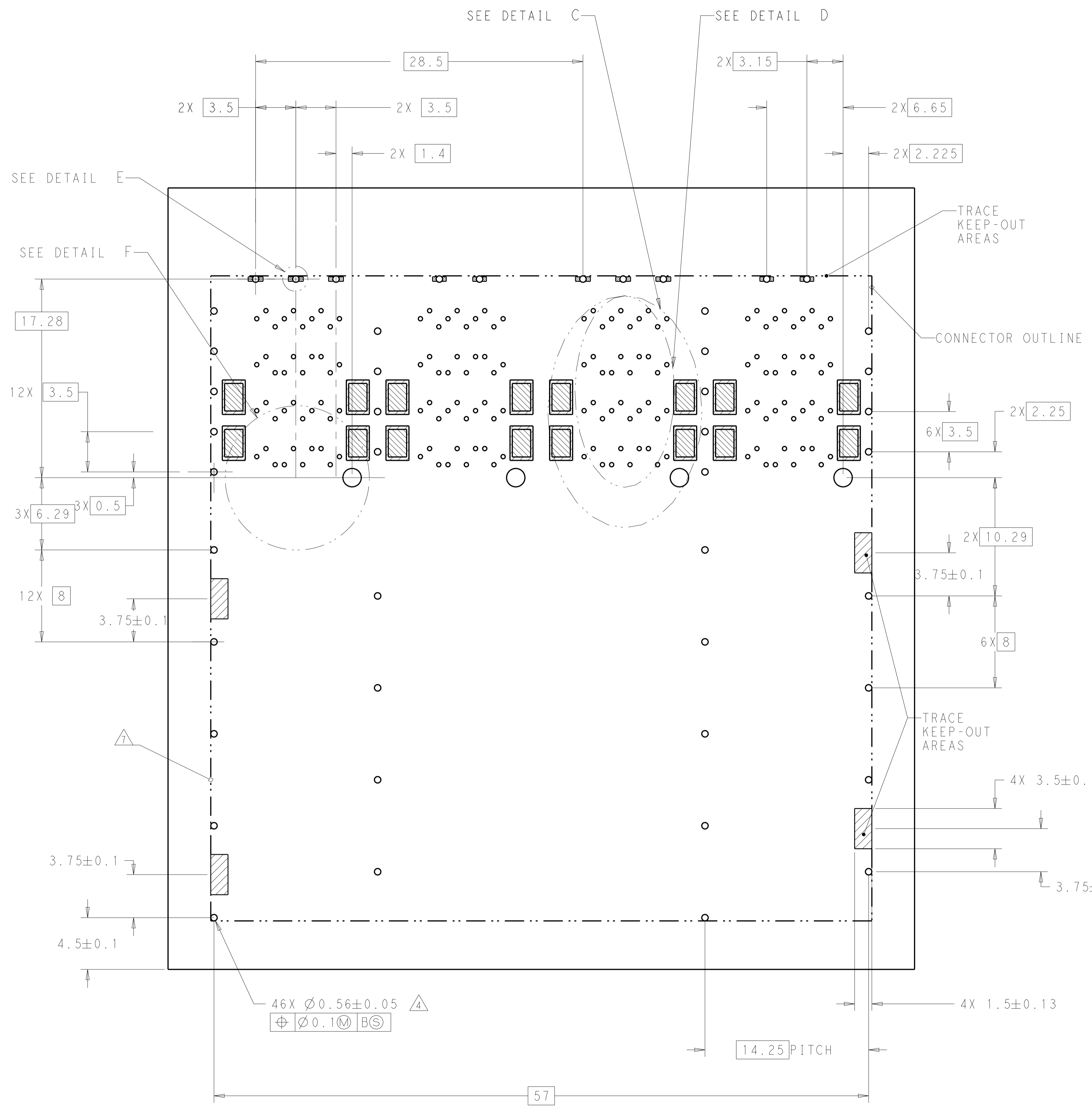
RESTRICTED TO: -

CUSTOMER DRAWING

SCALE: 3:1 SHEET: 1 OF 4 REV: D1

LOC	DIST	REV	DATE	BY	APPV
GP	00				

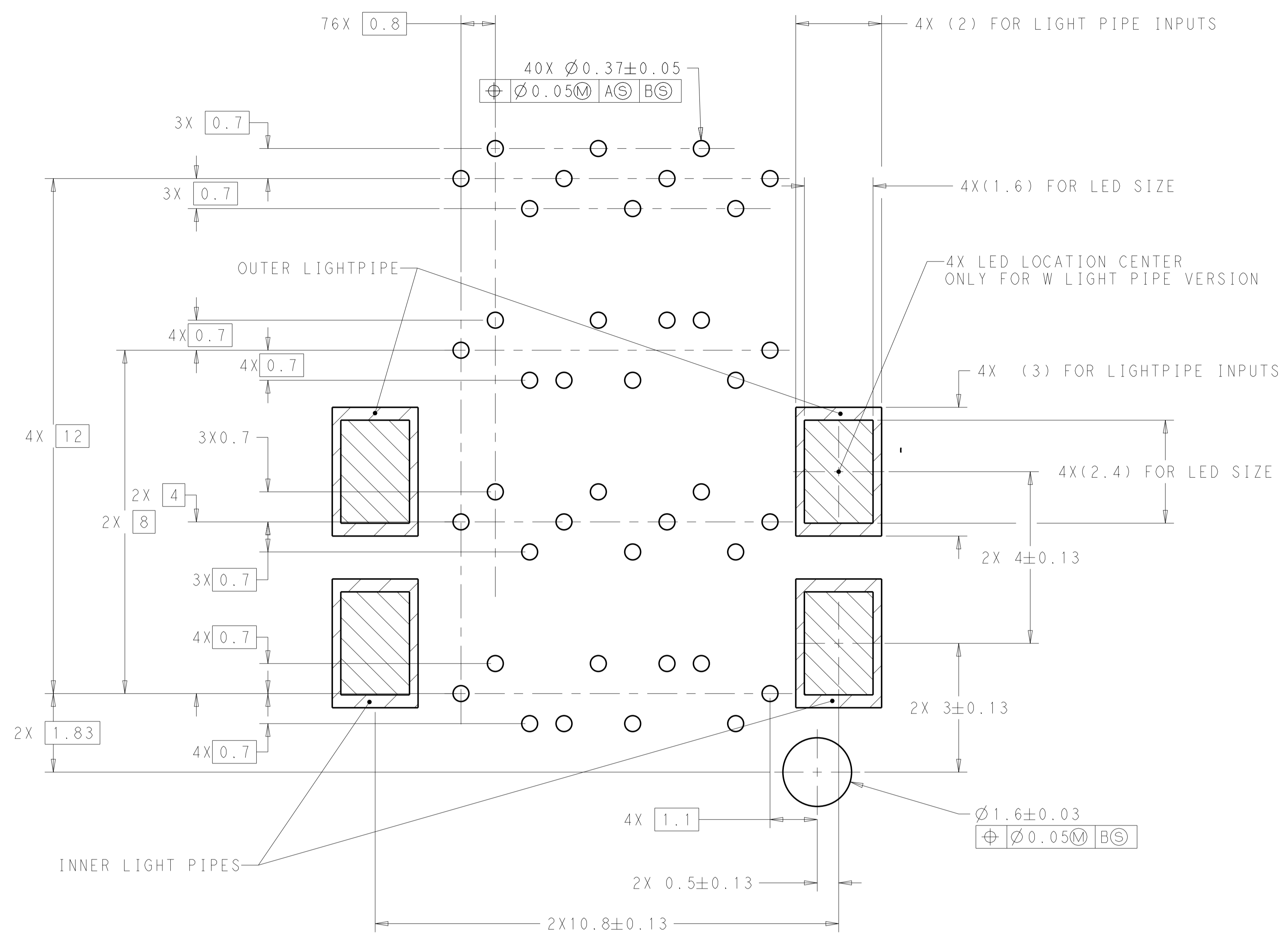
REVISIONS					
REV	DATE	BY	APPV	DESCRIPTION	DATE
-	-	-	-	SEE SHEET 1	-



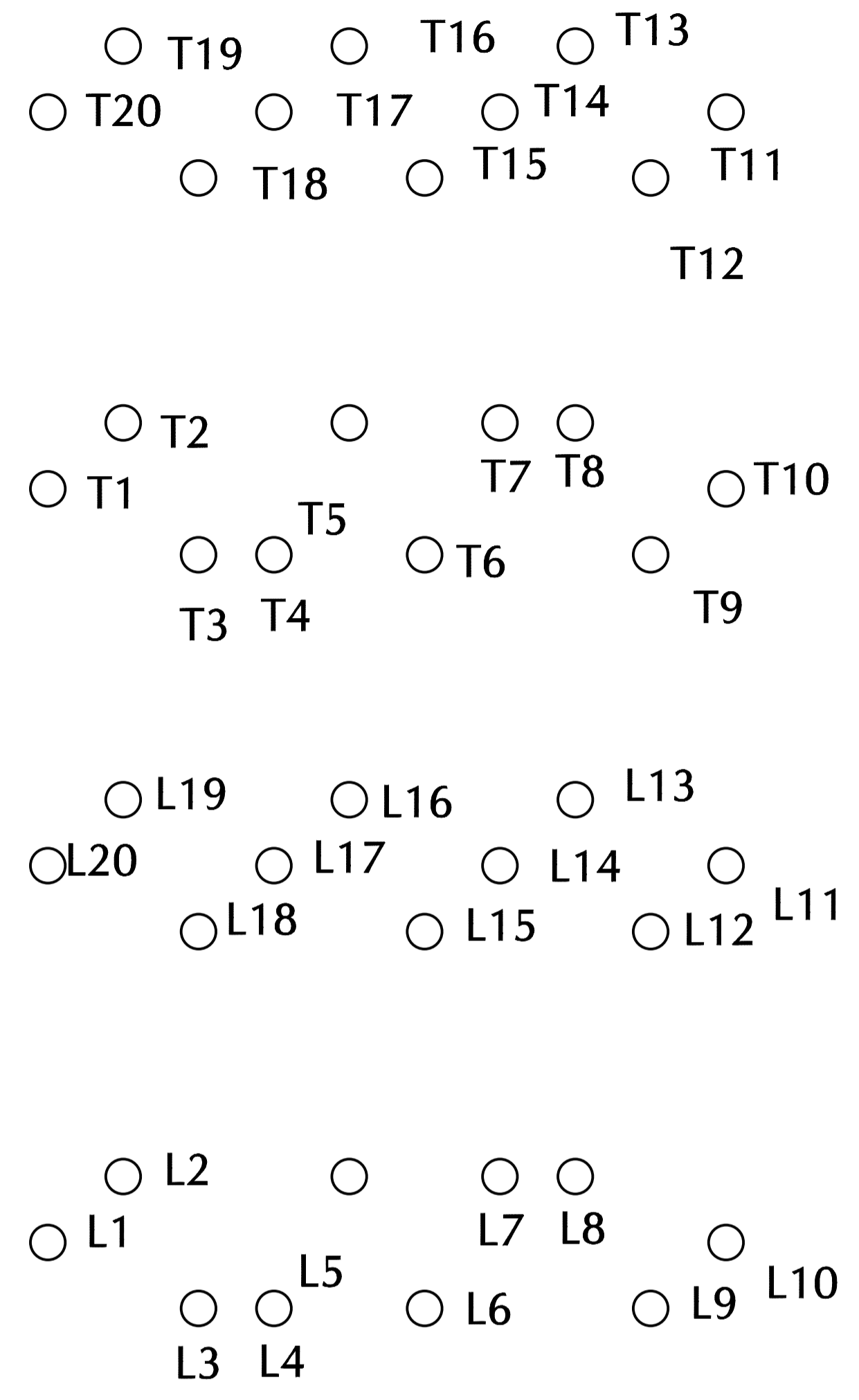
RECOMMENDED SINGLE SIDE PCB LAYOUT
 SCALE 5:1

THIS DRAWING IS A CONTROLLED DOCUMENT.		OWN: J. WANG 09OCT2018	TE Connectivity NAME: RECEPTACLE ASSEMBLY, 2X4 zSFPP+ STACKED BELLY TO BELLY
DIMENSIONS: mm		CHK: S. HAN 09OCT2018	
TOLERANCES UNLESS OTHERWISE SPECIFIED:		APVD: S. HAN 09OCT2018	PRODUCT SPEC: 108-60129
0 PLC	±	APPLICATION SPEC: 114-13319	SIZE: A1
1 PLC	±0.25	WEIGHT: -	CAGE CODE: 2344645
2 PLC	±0.25	CUSTOMER DRAWING	SCALE: 3:1
3 PLC	±0.25		SHEET 2 OF 4
4 PLC	±		REV D1
ANGLES	±		

LOC		DIST		REVISIONS			
GP	00	P	LTN	DESCRIPTION	DATE	OWN	APVD
		-	-	SEE SHEET 1	-	-	-

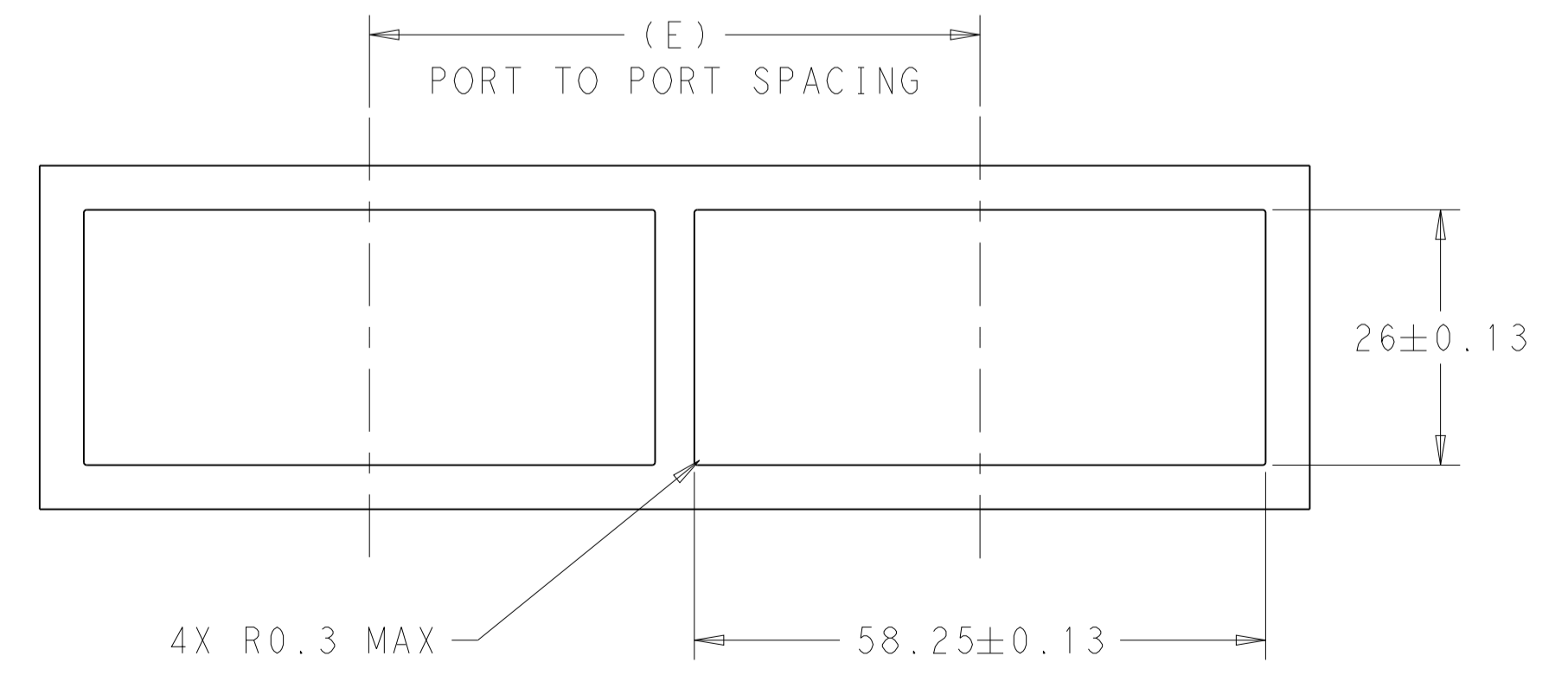


DETAIL C
 RECOMMENDED PIN AND LIGHT PIPE LAYOUT
 4X INDIVIDUALLY
 SCALE 15:1

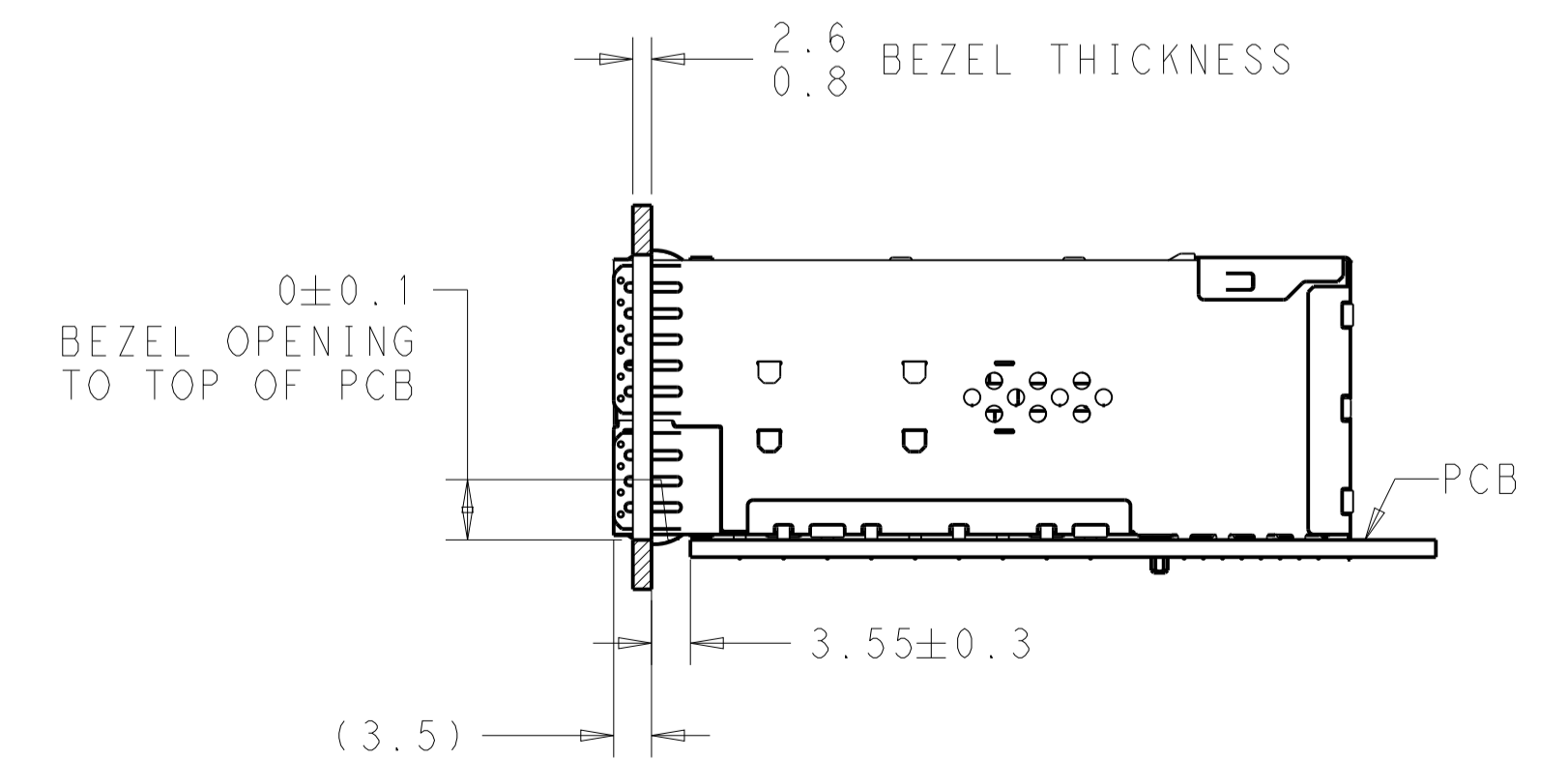


DETAIL D
 PIN MAP
 4X PLACES
 SCALE 18:1

PIN MAP LEGEND	
PIN NUMBER	FUNCTION
L1/T1	VEET
L2/T2	TX-FAULT
L3/T3	TX-DISABLE
L4/T4	SDA
L5/T5	SCL
L6/T6	MOD_ABS
L7/T7	RSO
L8/T8	RX_LOS
L9/T9	RS1
L10/T10	VEER
L11/T11	VEER
L12/T12	RD-
L13/T13	RD+
L14/T14	VEER
L15/T15	VCCR
L16/T16	VCCT
L17/T17	VEET
L18/T18	TD+
L19/T19	TD-
L20/T20	VEET

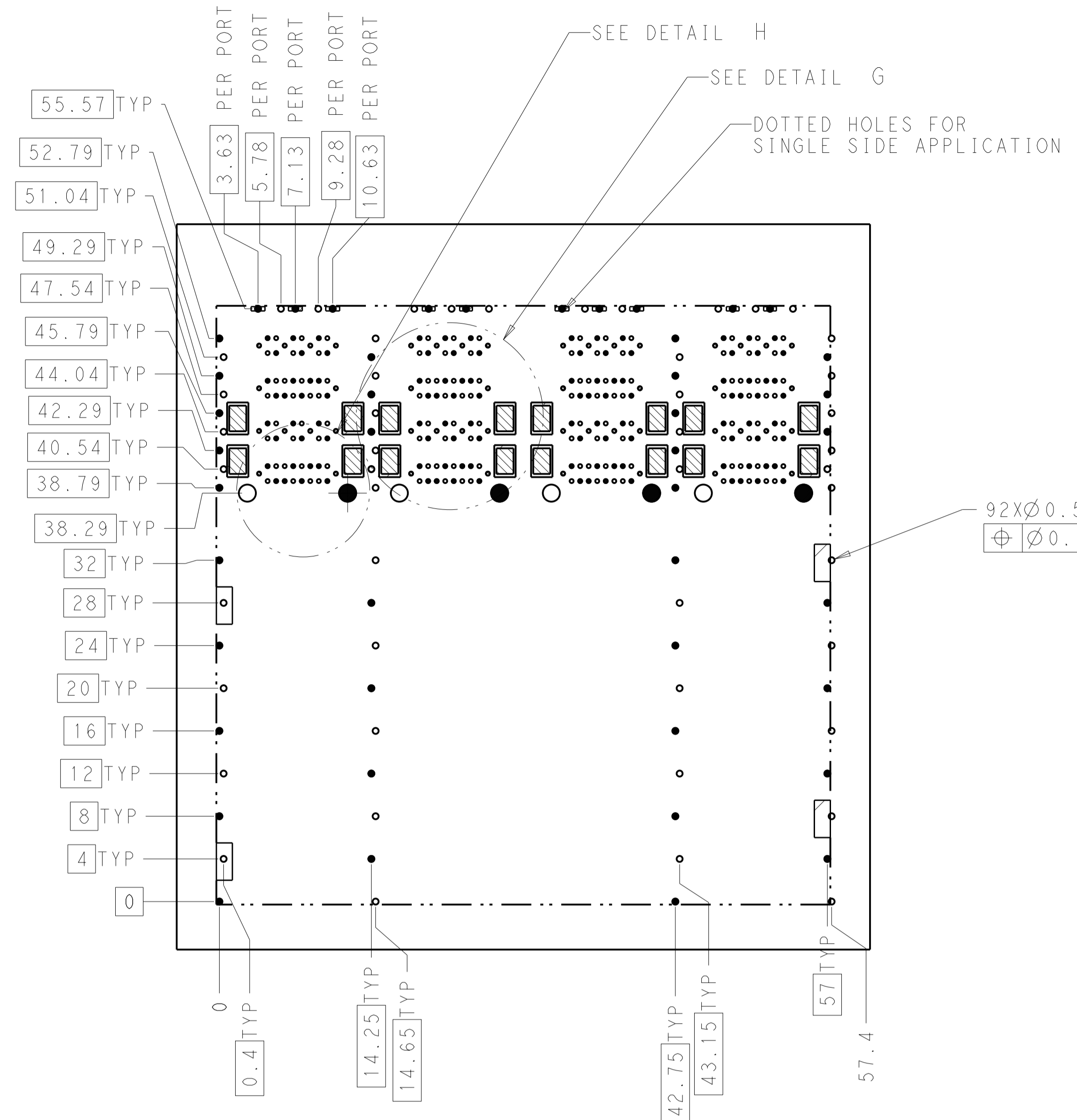


RECOMMENDED BEZEL CUT-OUT DETAIL
 SCALE 3:2



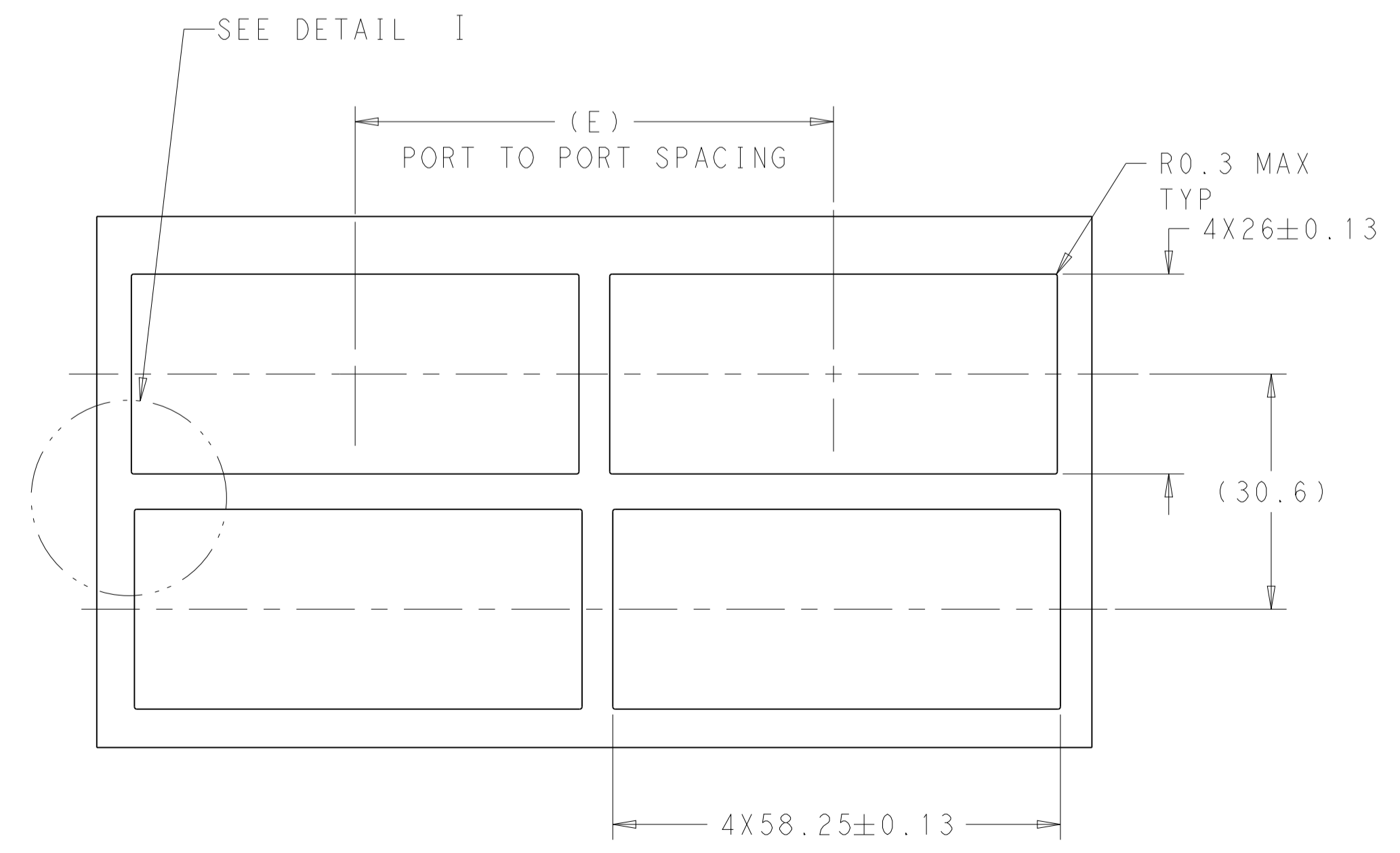
THIS DRAWING IS A CONTROLLED DOCUMENT.		OWN: J. WANG 09OCT2018	TE Connectivity
DIMENSIONS: mm		CHK: S. HAN 09OCT2018	
TOLERANCES UNLESS OTHERWISE SPECIFIED:		APVD: S. HAN 09OCT2018	NAME: RECEPTACLE ASSEMBLY, 2X4 zSFP+ STACKED BELLY TO BELLY
0 PLC ±0.25		PRODUCT SPEC: 108-60129	
2 PLC ±0.25		APPLICATION SPEC: 114-13319	
4 PLC ±0.25		SIZE: CAGE CODE: DRAWING NO: A100779 ©=2344645	
MATERIAL: SEE NOTES	FINISH: SEE NOTES	WEIGHT: -	RESTRICTED TO: -
CUSTOMER DRAWING		SCALE: 3:1	SHEET 3 OF 4 REV D1

LOC		DIST		REVISIONS			
GP	00	P	LTN	DESCRIPTION	DATE	OWN	APVD
		-	-	SEE SHEET 1	-	-	-

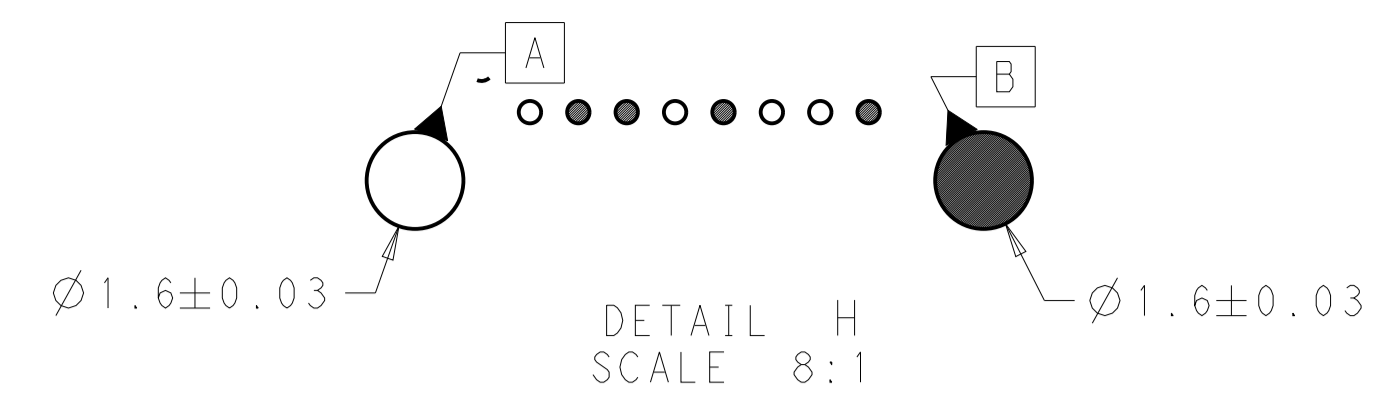


SCALE 3:1

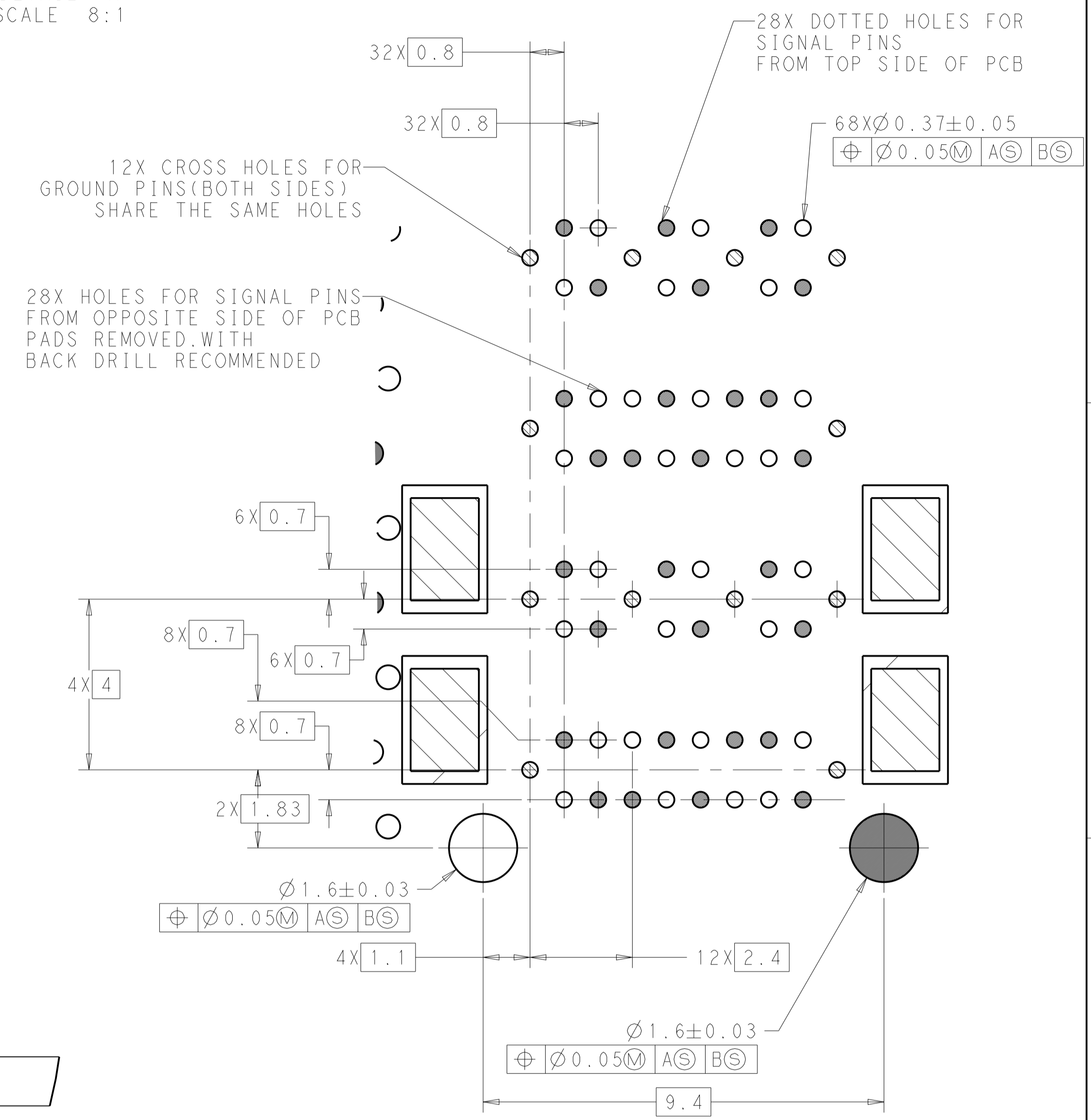
RECOMMENDED BELLY TO BELLY PCB LAYOUT
 UNMAKRED DIMENSIONS SAME AS SINGLE SIDE LAYOUT



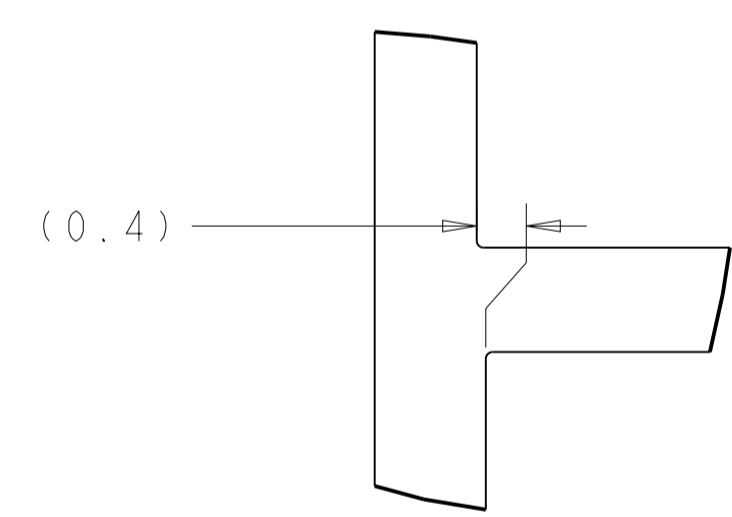
RECOMMENDED BEZEL CUT-OUT DETAIL
 FOR BELLY TO BELLY APPLICATION
 SCALE 3:2



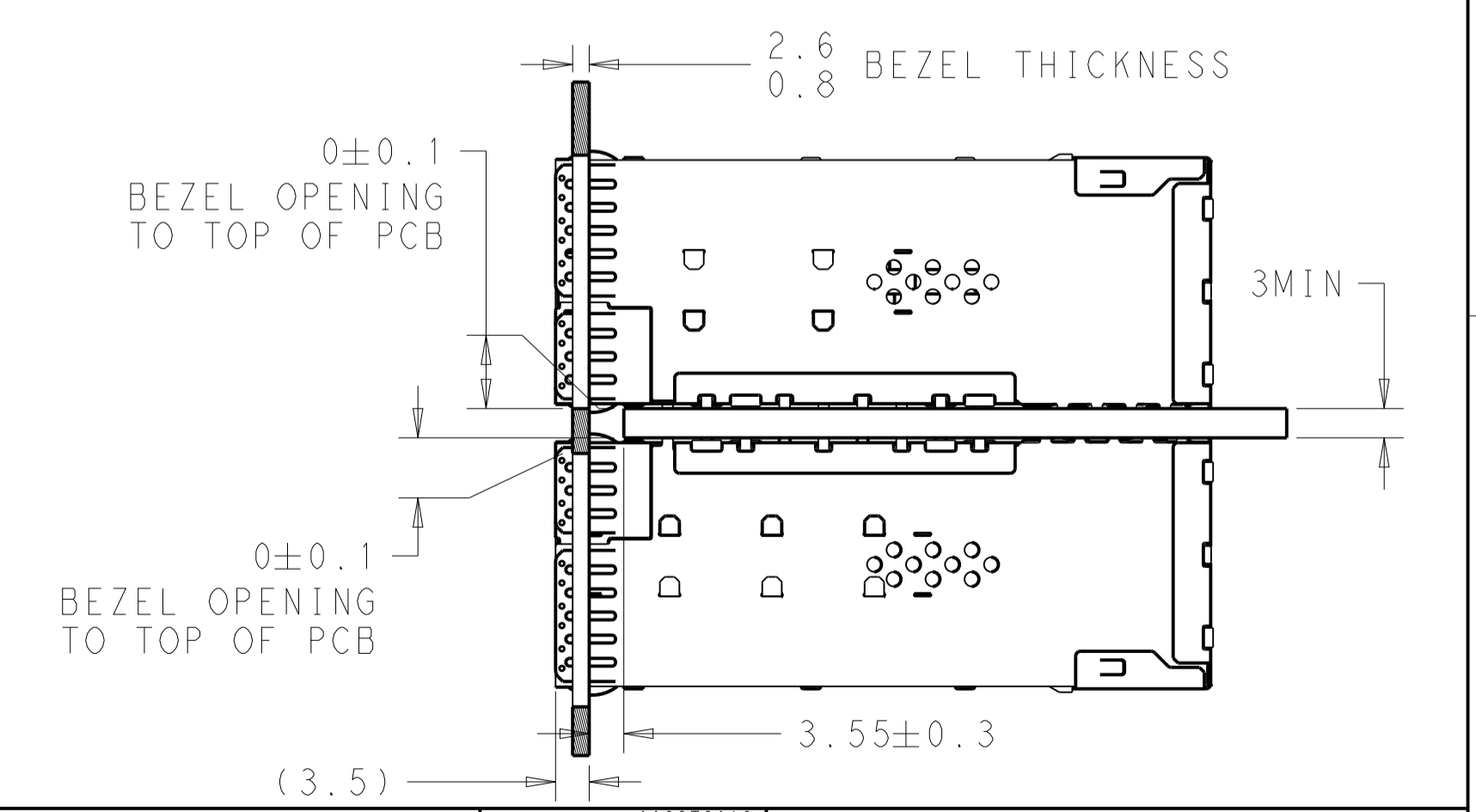
DETAIL H
 SCALE 8:1



DETAIL G
 4 SPACES
 SCALE 12:1



DETAIL I
 SCALE 3:1



THIS DRAWING IS A CONTROLLED DOCUMENT.		OWN J. WANG 09OCT2018	TE Connectivity
DIMENSIONS: mm		CHK S. HAN 09OCT2018	
TOLERANCES UNLESS OTHERWISE SPECIFIED:		APVD S. HAN 09OCT2018	NAME RECEPTACLE ASSEMBLY, 2X4 ZSFP+ STACKED BELLY TO BELLY
0 PLC ±	1 PLC ±0.25	PRODUCT SPEC	108-60129
2 PLC ±0.25	3 PLC ±0.25	APPLICATION SPEC	114-13319
4 PLC ±	ANGLES ±	WEIGHT	114-13319
MATERIAL SEE NOTES	FINISH SEE NOTES	CUSTOMER DRAWING	SCALE 3:1 SHEET 4 OF 4 REV D1

Mouser Electronics

Authorized Distributor

Click to View Pricing, Inventory, Delivery & Lifecycle Information:

[TE Connectivity:](#)

[2344645-2](#)