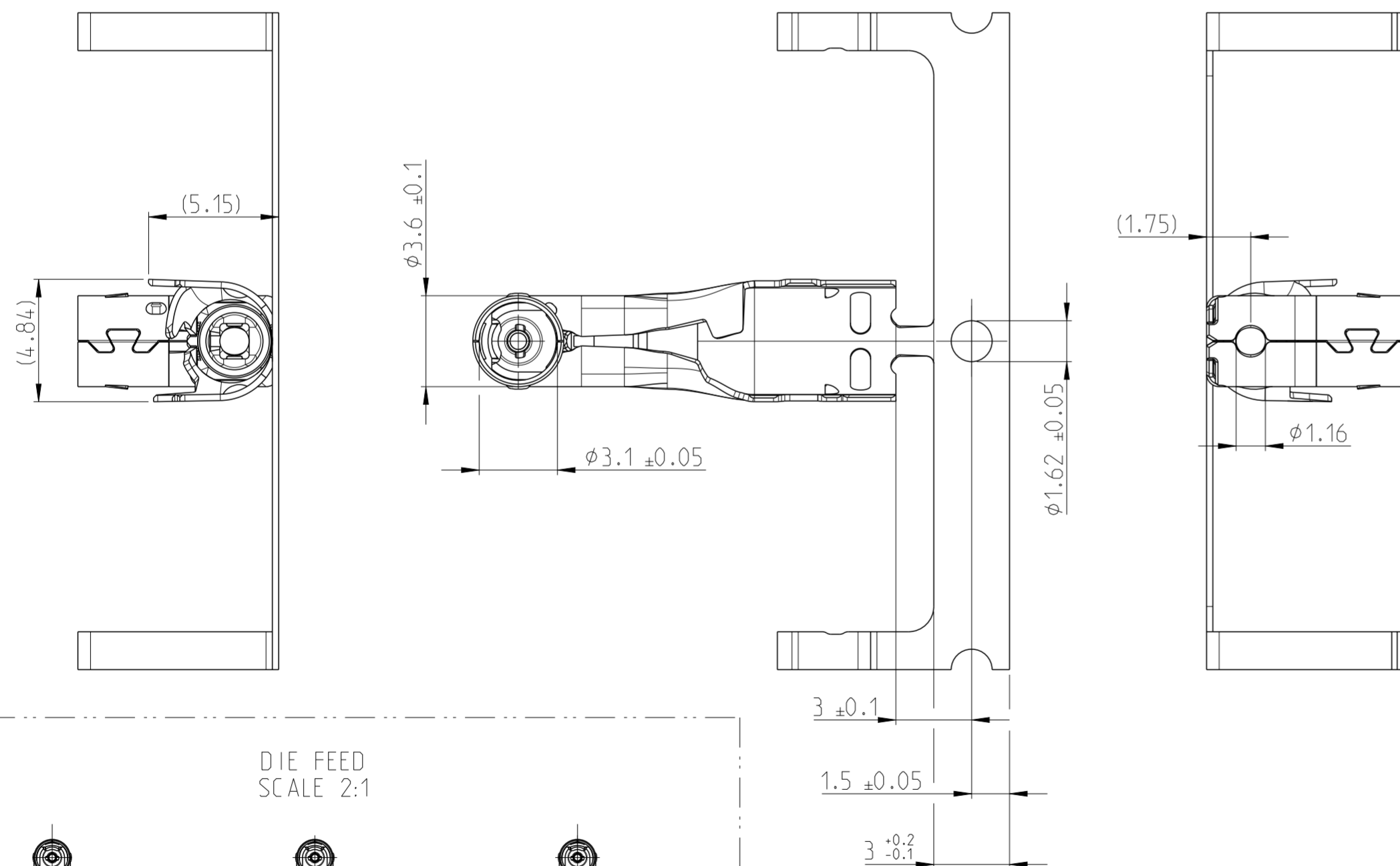
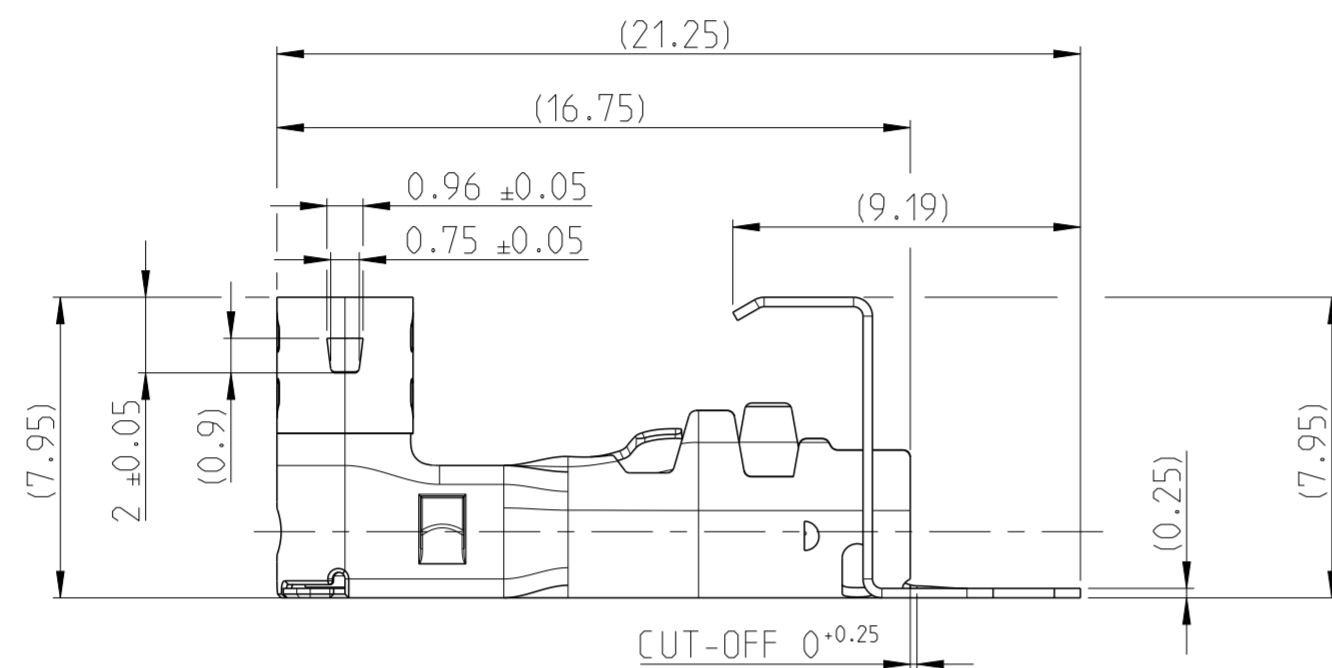
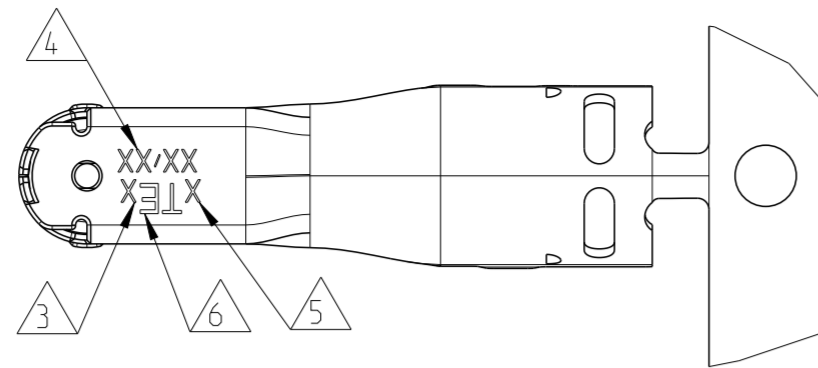
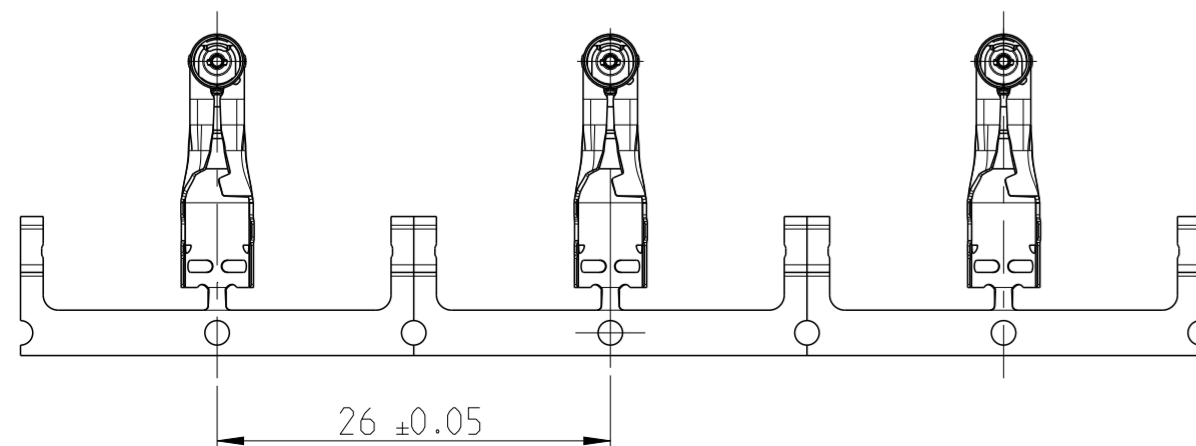


2327551-1
RTK031



DIE FEED
SCALE 2:1



REVISIONS					
P	LTR	DESCRIPTION	DATE	DWN	APVD
B		INITIAL RELEASE	16NOV2021	RM	CS
B1		UPDATE DRAWING	21MAR2022	SA	CS
C		CABLE DIELECTRIC RG174 REVISION CHANGE	17MAR2023	SA	CS
D		CABLE DIELECTRIC REVISION CHANGE	18SEP2023	SA	CS

NOTES
Bemerkungen

1 PACKAGING: PRODUCT REELED ON CORRUGATED REEL WITH INTERLEAVING PAPER
Verpackung: Spulenware auf Wellpappespule mit Zwischenlagenpapier

2 WEIGHT INCLUDE THE CARRIER STRIP AND DIELECTRIC
Gewicht inklusive Traegerstreifen und Dielektrikum

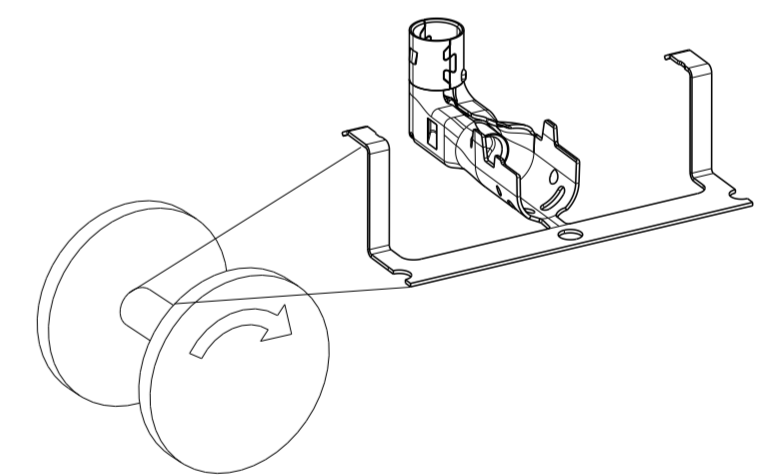
3 REVISION STATUS SEE TABLE
Rev. status siehe Tabelle

4 DATE OF PRODUCTION, CALENDAR WEEK/ YEAR
Produktionsdatum, Kalender Woche/Jahr

5 TRACK MARKING: A,B....
Gleismarkierung: A,B...

6 TE LOGO
TE logo

UNWINDING DIRECTION
SCALE 2:1



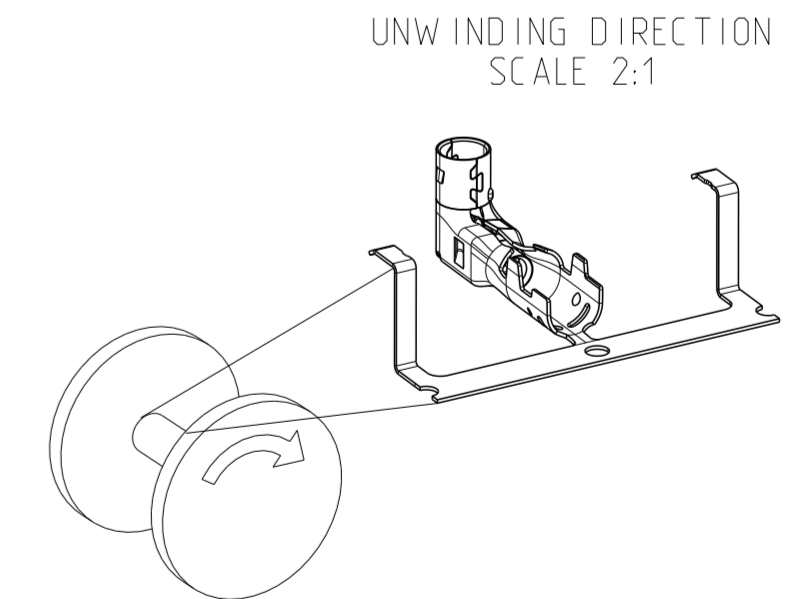
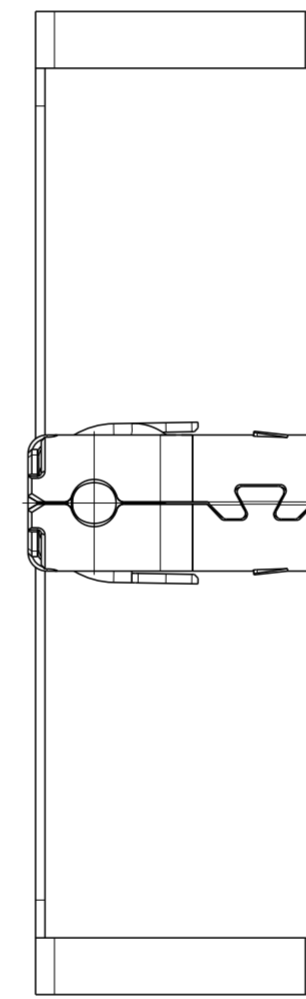
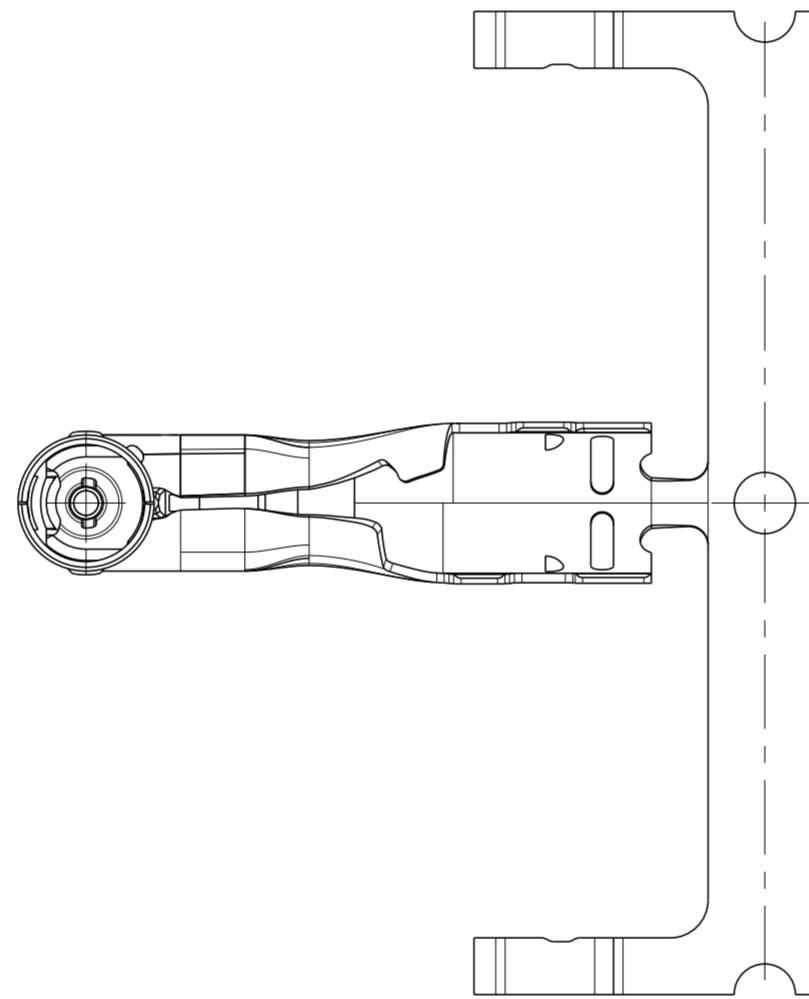
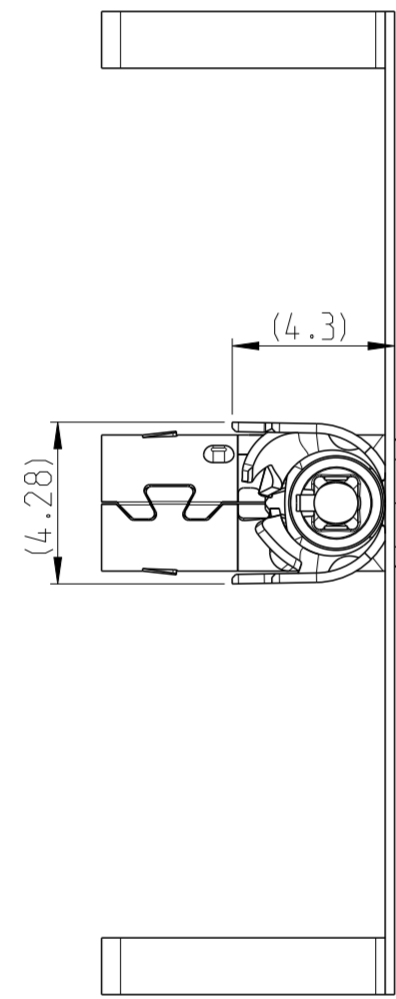
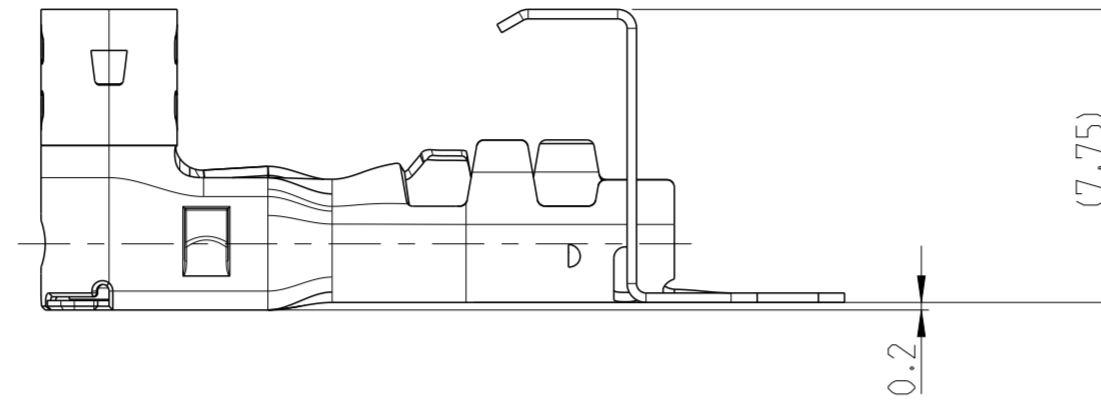
DESCRIPTION	MATERIAL	SURFACE/ COLOR	WEIGHT [g]	REV.	PART NUMBER
MATE-AX, 90DEG, OUTER CONTACT, RG174	OUTER CONTACT, RG174	STAINLESS STEEL	Sn	0.55	D
	DIELECTRIC, RG174	PBT	NATURAL		
MATE-AX, 90DEG, OUTER CONTACT, RTK031	OUTER CONTACT, RTK031	STAINLESS STEEL	Sn	0.58	C
	DIELECTRIC, RTK031	PBT	NATURAL		


THIS DRAWING IS A CONTROLLED DOCUMENT.		DWN 15NOV2021 Raghavendra M	TE Connectivity		
DIMENSIONS: mm		CHK 13DEC2021 S.Aboukassem			
TOLERANCES UNLESS OTHERWISE SPECIFIED:		APVD 13DEC2021 C.Schrettlinger	NAME MATE-AX, 90DEG, OUTER CONTACT, CABLE SIDE		
0 PLC ±0.2		PRODUCT SPEC 108-94515	SIZE CAGE CODE DRAWING NO RESTRICTED TO		
1 PLC ±0.1		APPLICATION SPEC 114-94566	SCALE 5:1 SHEET 1 OF 2 REV D		
2 PLC ±0.1		WEIGHT SEE TABLE A2			
3 PLC ±		CUSTOMER DRAWING			
4 PLC ±					
ANGLES ±5°					
FINISH -					
MATERIAL REFER TABLE -					

MISSING DIMENSION SEE 2327551-1
 Fehlende Bemaßung siehe 2327551-1

2327551-2
 RG174

REVISIONS				
P	LTR	DESCRIPTION	DATE	APVD
-		SEE SHEET 1	-	-



THIS DRAWING IS A CONTROLLED DOCUMENT.		DWN 15NOV2021 Raghavendra M	 TE Connectivity	
DIMENSIONS: mm		CHK 13DEC2021 S. Aboukassem		
TOLERANCES UNLESS OTHERWISE SPECIFIED:		APVD 13DEC2021 C. Schrettlinger	NAME MATE-AX, 90DEG, OUTER CONTACT, CABLE SIDE	
0 PLC ±0.2		PRODUCT SPEC 108-94515	RESTRICTED TO -	
1 PLC ±0.1		APPLICATION SPEC 114-94566	SIZE A2	CAGE CODE 00779
2 PLC ±0.1		WEIGHT SEE TABLE A2	DRAWING NO C-2327551	SCALE 5:1
3 PLC ±		CUSTOMER DRAWING	SHEET 2 OF 2	REV D
4 PLC ±				
ANGLES ±5°				
FINISH -				
MATERIAL REFER TABLE				

Mouser Electronics

Authorized Distributor

Click to View Pricing, Inventory, Delivery & Lifecycle Information:

[TE Connectivity:](#)

[2327551-1](#)