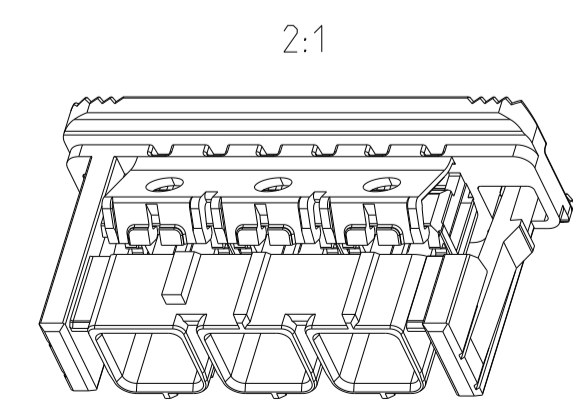
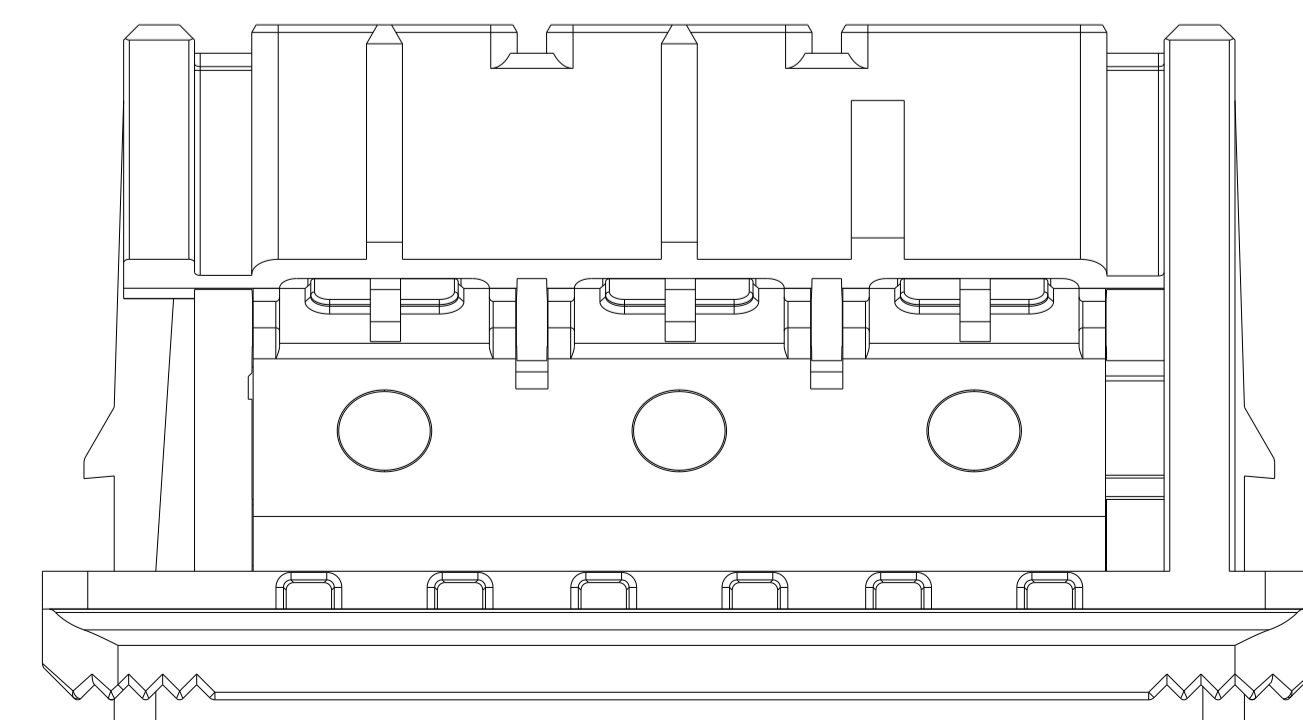
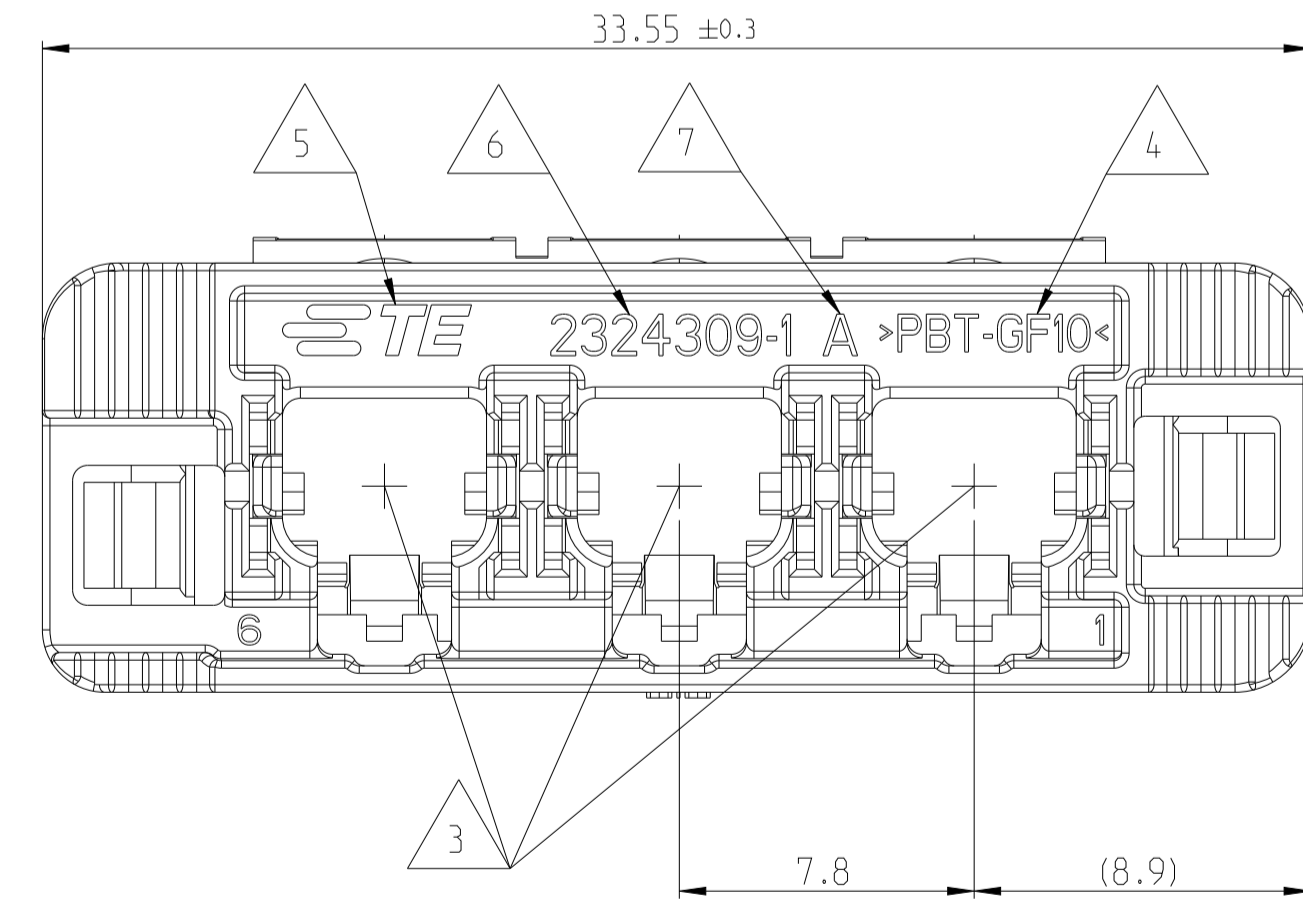
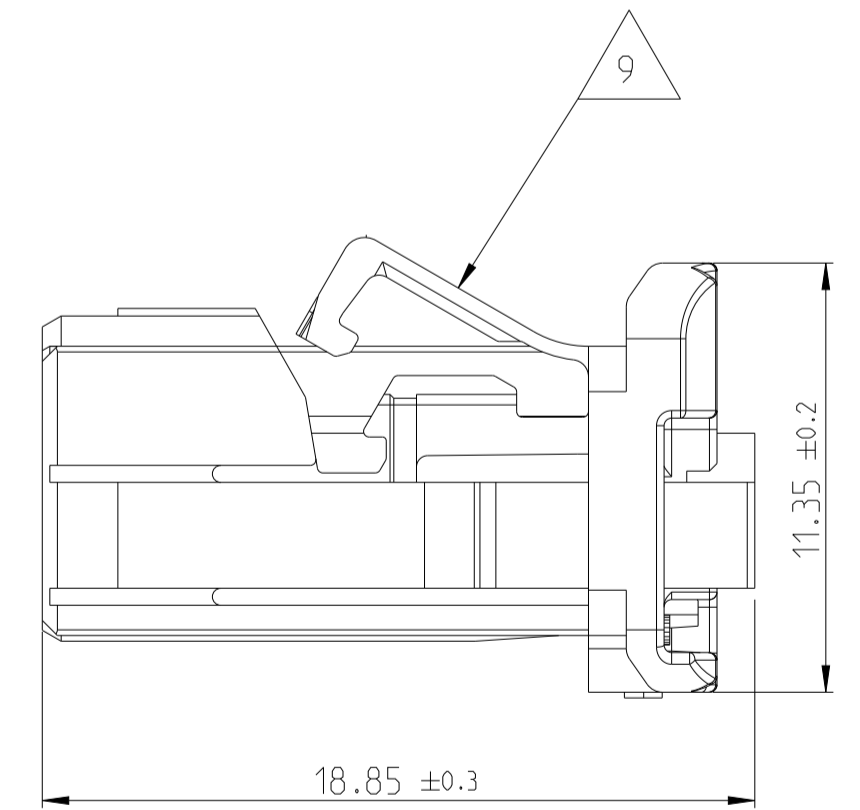
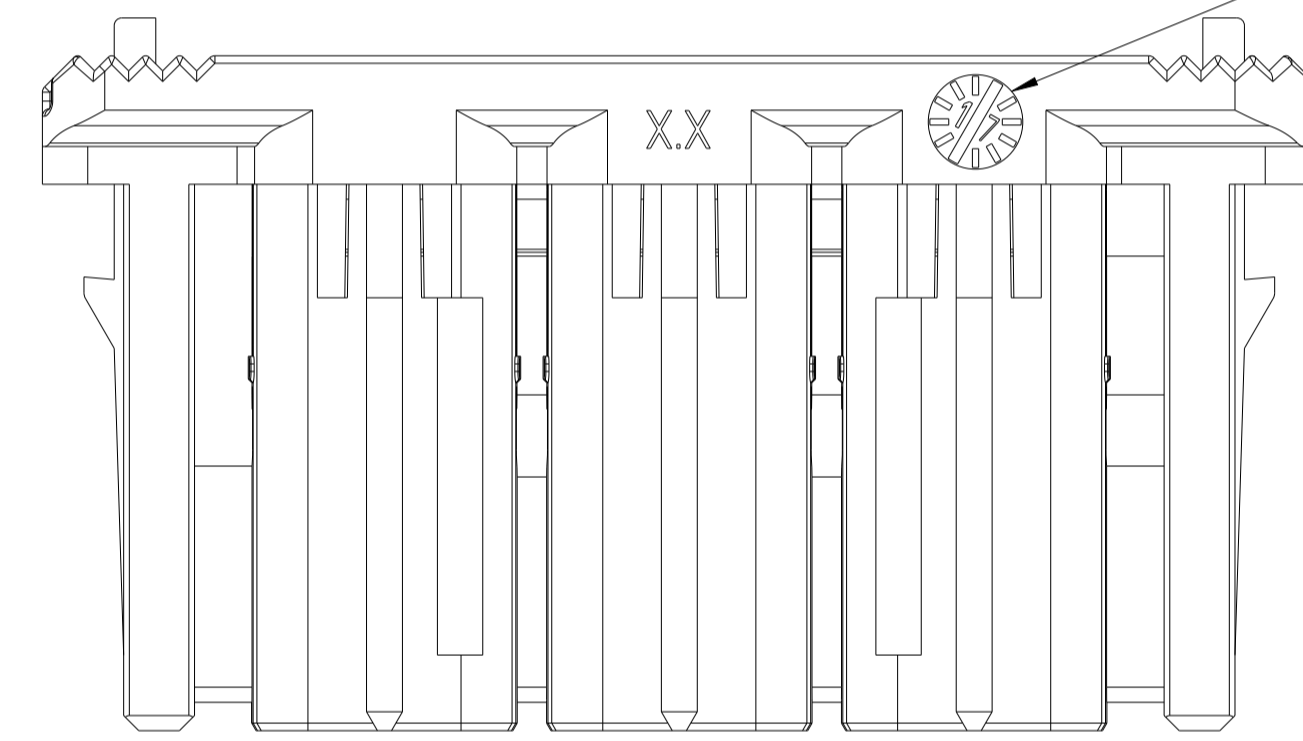
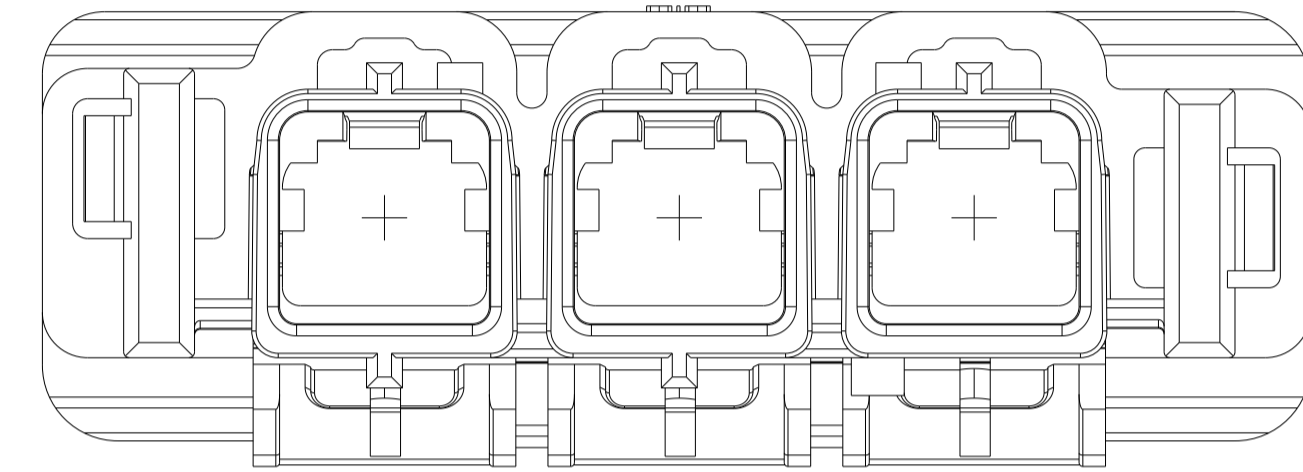
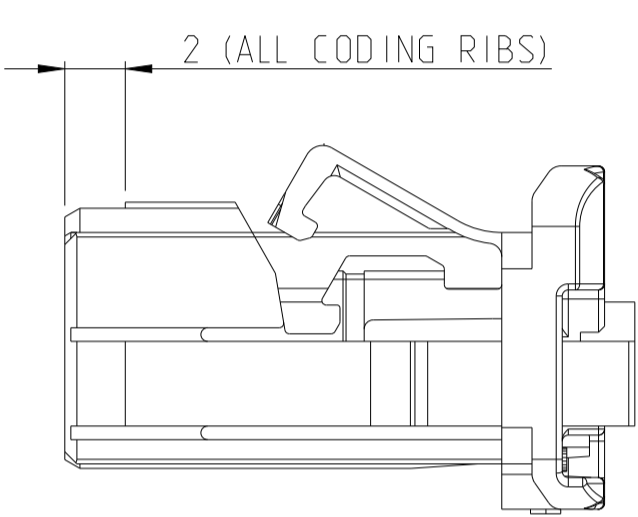
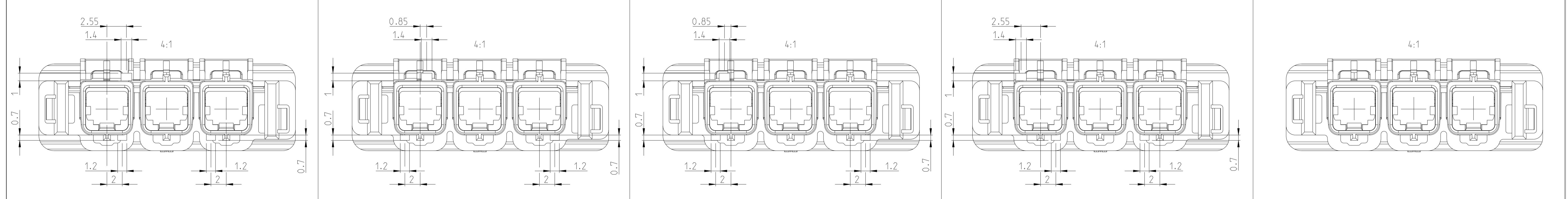


PROJEKT NR.:		REVISIONS ÄNDERUNGEN			
P	LTA	DESCRIPTION BESCHREIBUNG	DATE	DWN	APVD
A		NEW DRAWING	11JUN2018	RW	AK
A1		E-20-003776	12MAR2020	RW	AK
A2		PCN-24-211274 (added China Market variants)	12JUN2024	RW	AK

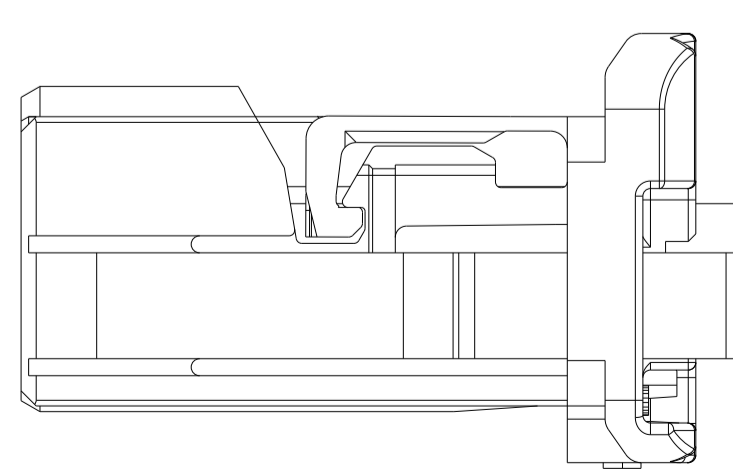
Kodierung A / CODE A Kodierung B / CODE B Kodierung C / CODE C Kodierung J / CODE J Kodierung Z / CODE Z



- Notizen / NOTES:
- 2324309-1, Kodierung A wie dargestellt
2324309-1, CODING A AS SHOWN
 - Passend zu Stiftwanne nach TE-Schnittstellenzeichnung 208-18083
MATING TO PINHEADER ACC. TE-INTERFACE DRAWING 208-18083
 - Kammer fuer MATenet 2Pos. NanoMQS female Insert module TE PN Y-2302450-X
CAVITY FOR MATenet 2Pos. NanoMQS FEMALE INSERT MODULE TE PN Y-2302450-X
 - Materialkennzeichnung
MATERIAL MARKING
 - TE-Logo
TE-LOGO
 - TE-Teil Number
TE-PART NUMBER
 - Revisionsstand
PART REVISION
 - Produktionsdatum
PRODUCTION DATE
 - Anlieferzustand: 2. Kontaktsicherung geöffnet
DELIVERY CONDITION: RETAINER IN OPEN POSITION
 - Verpackung: Siehe Verpackungsanweisung V2324309
PACKAGING: SEE PACKAGING SPEC. V23024309

CODE	PART No.	Rev.	DESCRIPTION	MARKET	MATERIAL	WEIGHT [g]	COLOUR similar RAL
Z	2-2324309-9	A	3-Port MATenet Frame, CODE Z	CHINA	PBT-GF10	2.3	water-blue 5021
J	2-2324309-7	A	3-Port MATenet Frame, CODE J			2.3	Beige 1001
C	2-2324309-3	A	3-Port MATenet Frame, CODE C			2.3	blue 5012
B	2-2324309-2	A	3-Port MATenet Frame, CODE B	GLOBAL	PBT-GF10	2.3	white 9010
A	2-2324309-1	A	3-Port MATenet Frame, CODE A			2.3	Black 9005
Z	2324309-9	A	3-Port MATenet Frame, CODE Z			2.3	water-blue 5021
J	2324309-7	A	3-Port MATenet Frame, CODE J			2.3	Beige 1001
C	2324309-3	A	3-Port MATenet Frame, CODE C			2.3	blue 5012
B	2324309-2	A	3-Port MATenet Frame, CODE B			2.3	white 9010
A	2324309-1	A	3-Port MATenet Frame, CODE A			2.3	Black 9005

SHOWN IN END-LOCKED POSITION
 Darstellung in Endraststellung



THIS DRAWING IS A CONTROLLED DOCUMENT. DWN: R. WUERKER 11JUN2018
 CHK: A. KETTLER
 DIMENSIONS: MASSENHEITEN: mm TOLERANCES UNLESS OTHERWISE SPECIFIED: ALLEGEWÖHNLICHEN
 0 PLC ±0.2
 1 PLC ±0.1
 2 PLC ±0.1
 3 PLC ±0.1
 4 PLC ±0.1
 ANGLES/SHOULDER: 45°
 FINISH/SCHRAFFUR/FARBEN: see table
 MATERIAL: see table
 WEIGHT/GEWICHT: see table
 CUSTOMER DRAWING: /KUNDENZEICHNUNG
 SCALE/MASSSTAB: 5:1
 SHEET/BLATT: 1 OF 1
 REV: A2
STE TE Connectivity
 NAME: 3-Port MATenet Frame 3-PORT MATenet FRAME
 SIZE: A1 CAGE CODE: 00779 DRAWING NO: 2324309
 RESTRICTED TO NUR FÜR

Mouser Electronics

Authorized Distributor

Click to View Pricing, Inventory, Delivery & Lifecycle Information:

[TE Connectivity:](#)

[2324309-9](#)