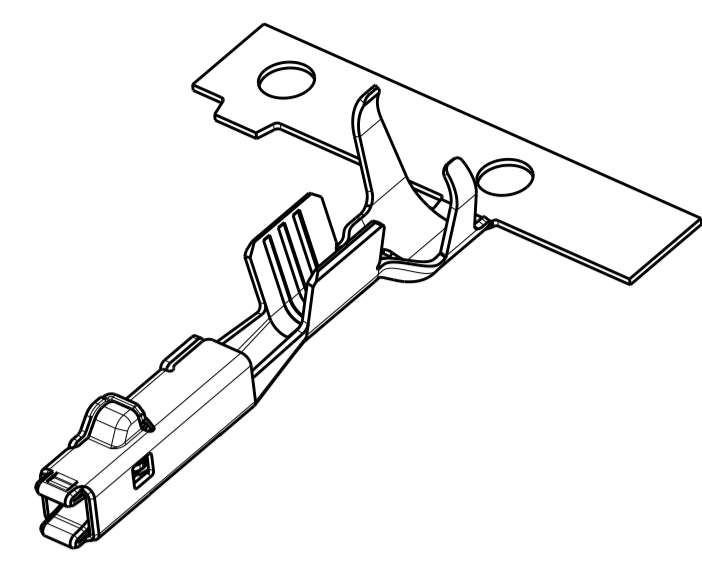
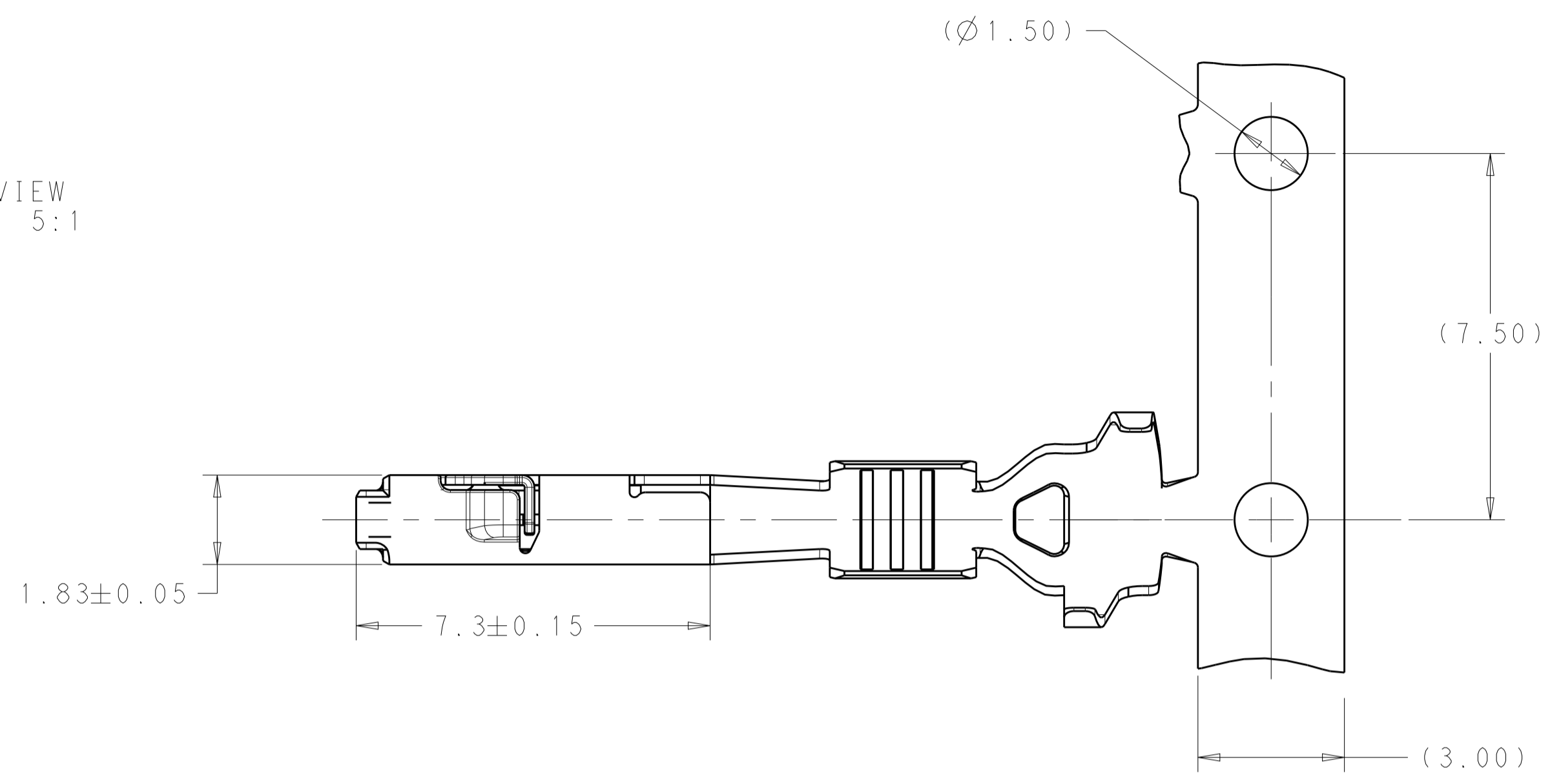


LOC	DIST	REV	DATE	BY	CHK	APPV
IN	00	A	18 JUL 2017	HM	CR	
		A1	09 APR 2018	HM	FK	
		A2	08 JUL 2019	SY	CR	



REF VIEW  
SCALE 5:1



- 1. COPPER ALLOY
- 2. PRE-PLATED WITH 1.0µm MIN TIN
- 3. TERMINAL DESIGNED TO BE USED WITH SINGLE WIRE SEAL. SEE APPLICATION SPEC 114-32121 FOR PART NUMBERS
- 4. SEE APPLICATION SPEC 114-32121 FOR ALLOWABLE INSULATION O.D.
- 5. MAX 9 TERMINALS MISSING PER REEL PERMITTED
- 6. 3 LOOSE SPLICES PER REEL ALLOWED
- 7. TERMINAL HAS LUBRICANT APPLIED. THIS IS A WHITISH COLORED LUBE. AMOUNT AND VISIBILITY MAY VARY
- 8. TERMINAL IS QUALIFIED TO GMW3191 T3(-40°C TO 125°C) AND V1(SEALED ON BODY SPRUNG MASS)

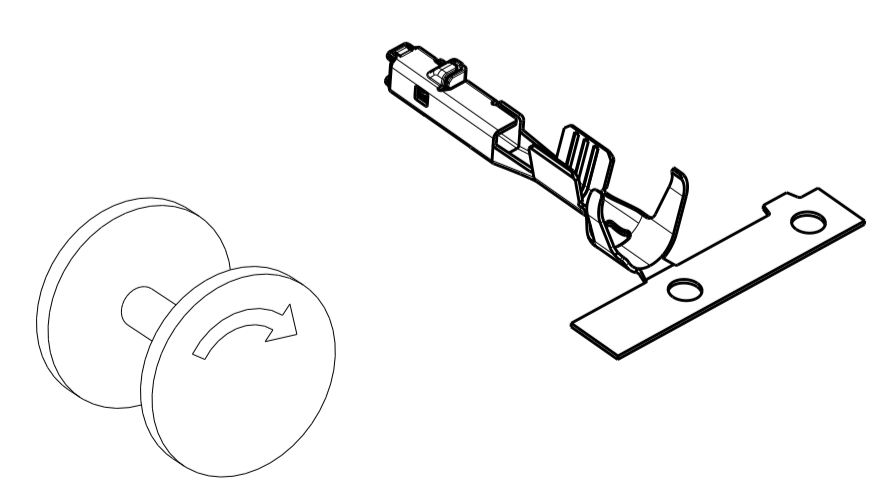
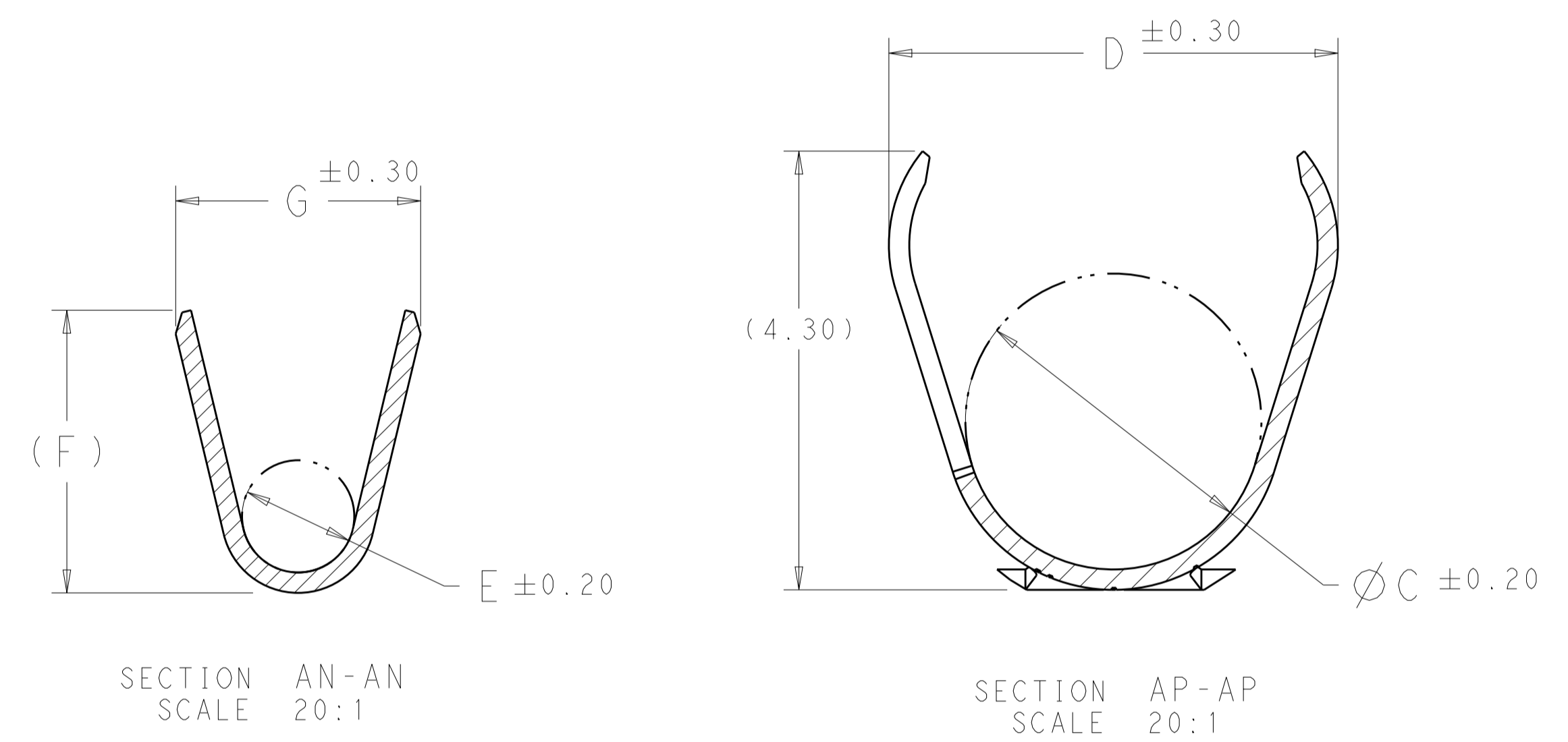
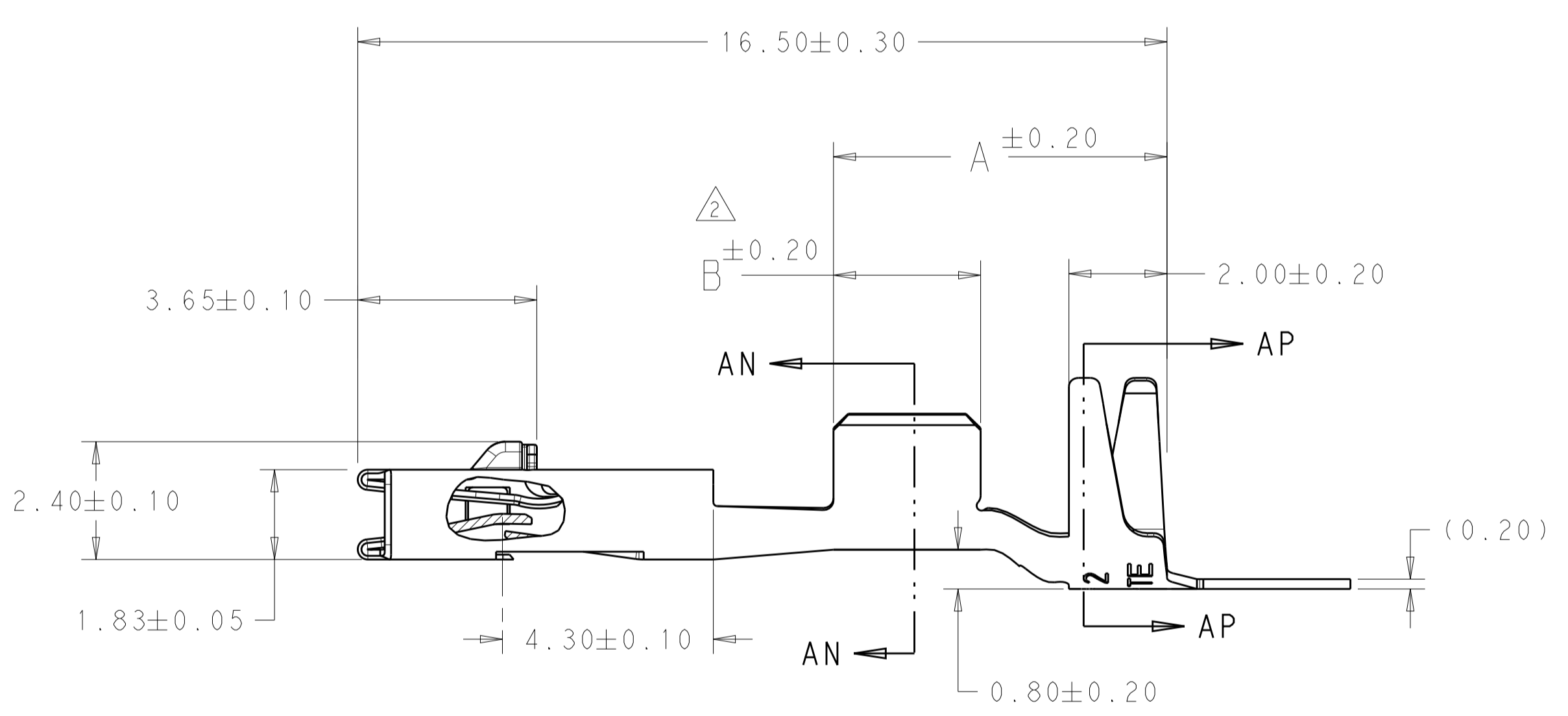


FIG 1  
REELING DIRECTION  
SCALE 3:1

0.185	FIG 1	1.80	1.80	0.80	4.20	2.60	2.60	6.40	0.35mm <sup>2</sup>	2321539-3
0.190	FIG 1	2.00	2.10	1.10	4.20	2.70	3.00	6.80	0.50mm <sup>2</sup>	2321539-2
0.200	FIG 1	2.40	2.77	1.10	4.40	2.90	3.00	6.80	0.75mm <sup>2</sup> TO 1.0mm <sup>2</sup>	2321539-1
WEIGHT (GRAMS)	REELING	G	F	E	D	C	B	A	WIRE SIZE	PART NO

THIS DRAWING IS A CONTROLLED DOCUMENT.

DIMENSIONS: mm  
 TOLERANCES UNLESS OTHERWISE SPECIFIED:  
 0 PLC ±  
 1 PLC ±  
 2 PLC ±  
 3 PLC ±  
 4 PLC ±  
 ANGLES ±  
 MATERIAL:   
 FINISH:

DWN: H. MOLL 28 JUL 2017  
 CHK: C. RAYBOLD 28 JUL 2017  
 APVD: C. RAYBOLD 28 JUL 2017  
 PRODUCT SPEC: 108-32199 (A2)  
 APPLICATION SPEC: SEE NOTES  
 WEIGHT: SEE TABLE A100779  
 CUSTOMER DRAWING

**STE** TE Connectivity  
 NAME: RECEPTACLE TERMINAL, TIN PLATE, SINGLE WIRE SEAL, MCON MONO 1.2  
 SIZE: A100779  
 CAGE CODE: 2321539  
 SCALE: 10:1 SHEET 1 OF 1 REV A2

# Mouser Electronics

Authorized Distributor

Click to View Pricing, Inventory, Delivery & Lifecycle Information:

[TE Connectivity:](#)

[2321539-1](#)