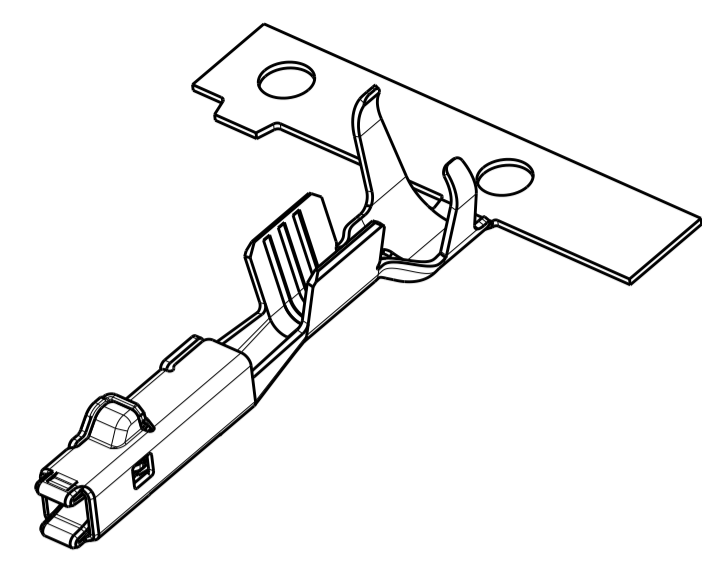
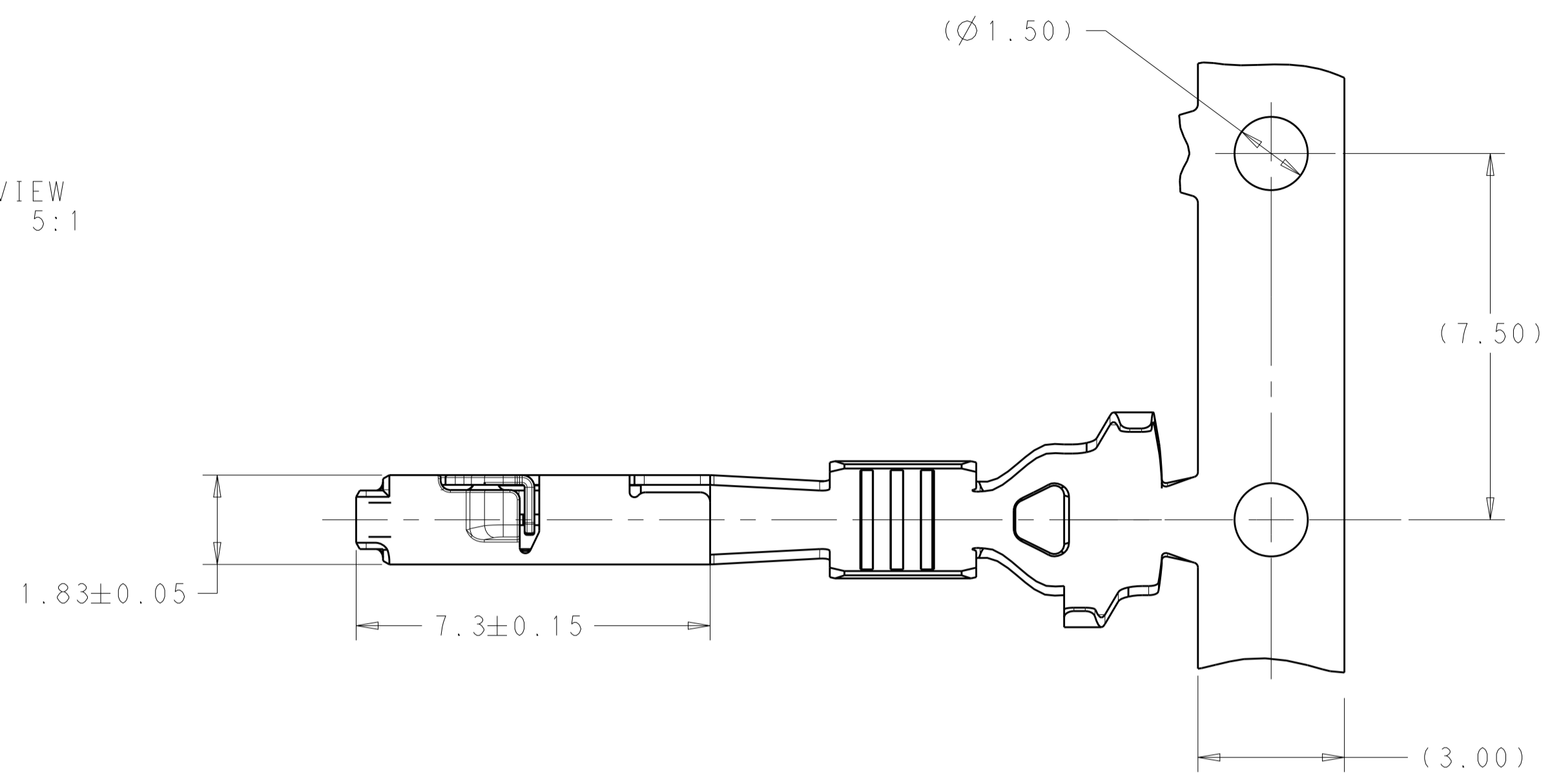


LOC		DIST		REVISIONS			
IN	00						
		P	LTN	DESCRIPTION	DATE	DWN	APVD
		A		REV PER ECO-17-009112	18JUL2017	HM	CR
		A1		REV PER ECO-18-004926	09APR2018	HM	FK
		A2		REV PER ECO-19-008549	08JUL2019	SY	CR



REF VIEW
SCALE 5:1



- 1. COPPER ALLOY
- 2. PRE-PLATED WITH 1.0µm MIN TIN
- 3. TERMINAL DESIGNED TO BE USED WITH SINGLE WIRE SEAL. SEE APPLICATION SPEC 114-32121 FOR PART NUMBERS
- 4. SEE APPLICATION SPEC 114-32121 FOR ALLOWABLE INSULATION O.D.
- 5. MAX 9 TERMINALS MISSING PER REEL PERMITTED
- 6. 3 LOOSE SPLICES PER REEL ALLOWED
- 7. TERMINAL HAS LUBRICANT APPLIED. THIS IS A WHITISH COLORED LUBE. AMOUNT AND VISIBILITY MAY VARY
- 8. TERMINAL IS QUALIFIED TO GMW3191 T3(-40°C TO 125°C) AND V1(SEALED ON BODY SPRUNG MASS)

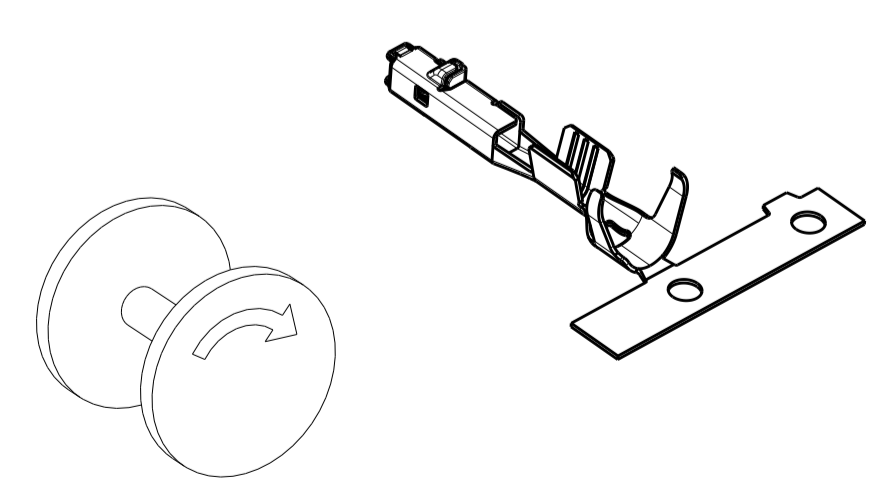
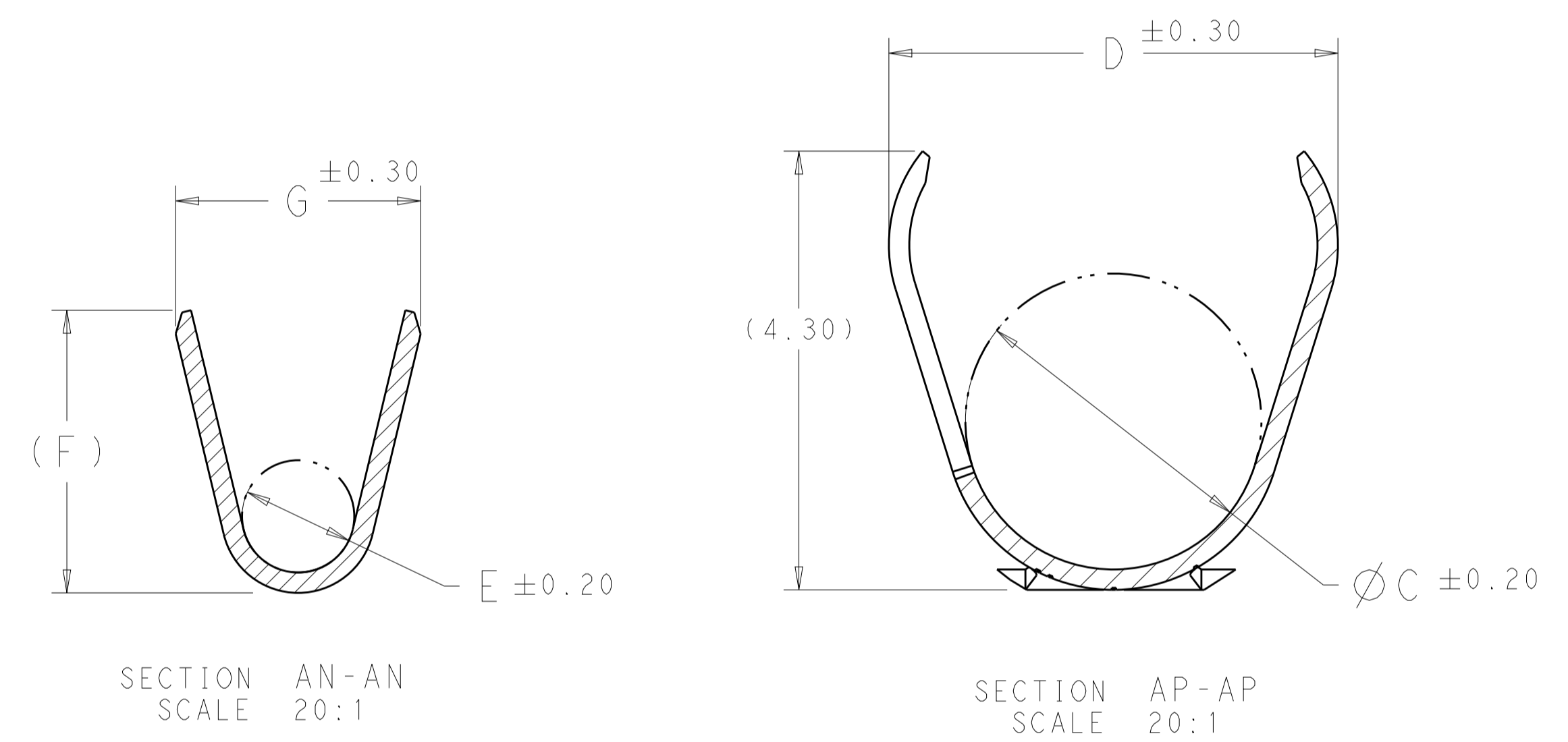
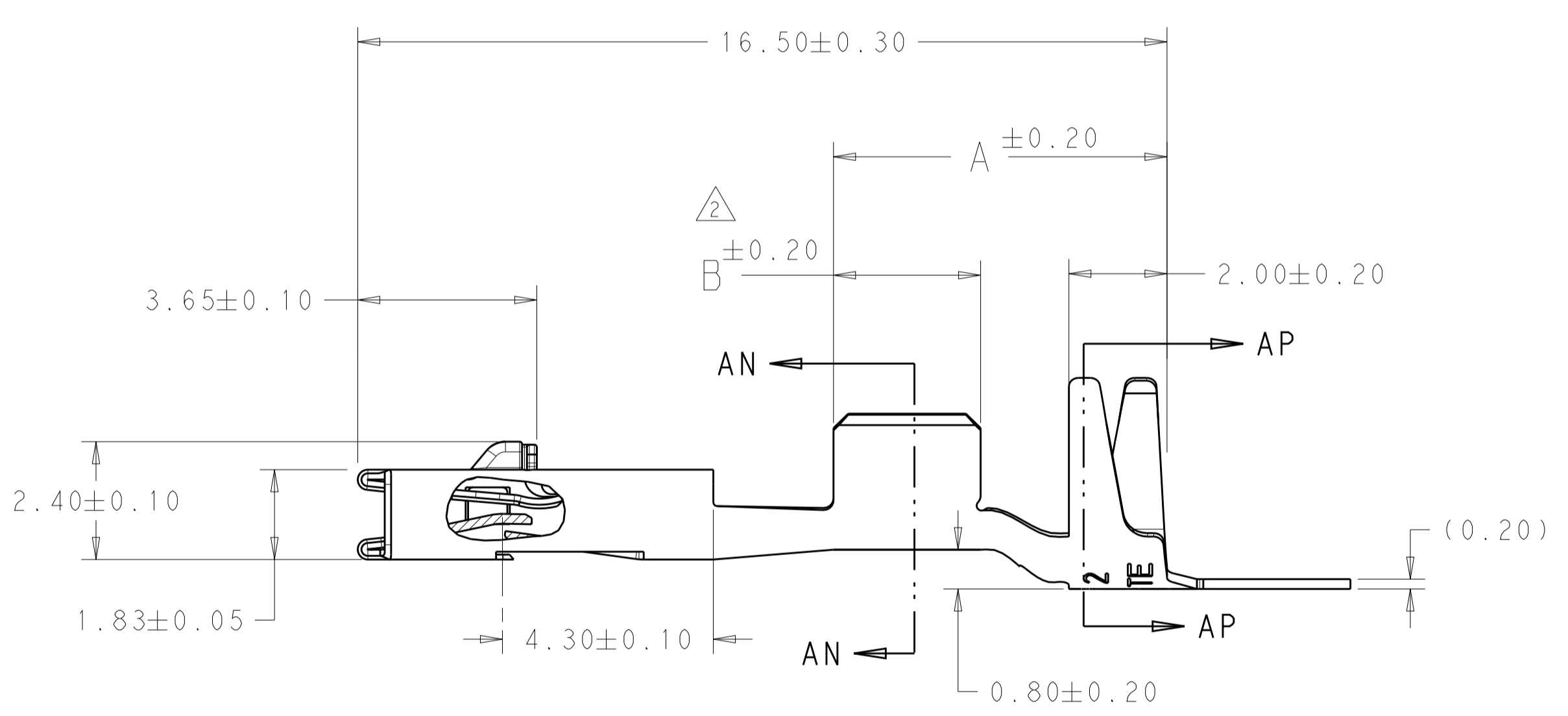


FIG 1
REELING DIRECTION
SCALE 3:1

0.185	FIG 1	1.80	1.80	0.80	4.20	2.60	2.60	6.40	0.35mm ²	2321539-3
0.190	FIG 1	2.00	2.10	1.10	4.20	2.70	3.00	6.80	0.50mm ²	2321539-2
0.200	FIG 1	2.40	2.77	1.10	4.40	2.90	3.00	6.80	0.75mm ² TO 1.0mm ²	2321539-1
WEIGHT (GRAMS)	REELING	G	F	E	D	C	B	A	WIRE SIZE	PART NO

THIS DRAWING IS A CONTROLLED DOCUMENT.

DWN: H. MOLL 28JUL2017
 CHK: C. RAYBOLD 28JUL2017
 APVD: C. RAYBOLD 28JUL2017

DIMENSIONS: mm
 TOLERANCES UNLESS OTHERWISE SPECIFIED:
 0 PLC ±
 1 PLC ±
 2 PLC ±
 3 PLC ±
 4 PLC ±
 ANGLES ±

MATERIAL: FINISH:

PRODUCT SPEC: 108-32199 (A2)
 APPLICATION SPEC: SEE NOTES
 WEIGHT: SEE TABLE
 CUSTOMER DRAWING

NAME: RECEPTACLE TERMINAL, TIN PLATE, SINGLE WIRE SEAL, MCON MONO 1.2
 SIZE: A1
 CAGE CODE: 00779
 DRAWING NO: 2321539
 RESTRICTED TO: -

SCALE: 10:1 SHEET 1 OF 1 REV: A2

Mouser Electronics

Authorized Distributor

Click to View Pricing, Inventory, Delivery & Lifecycle Information:

[TE Connectivity:](#)

[2321539-3](#)