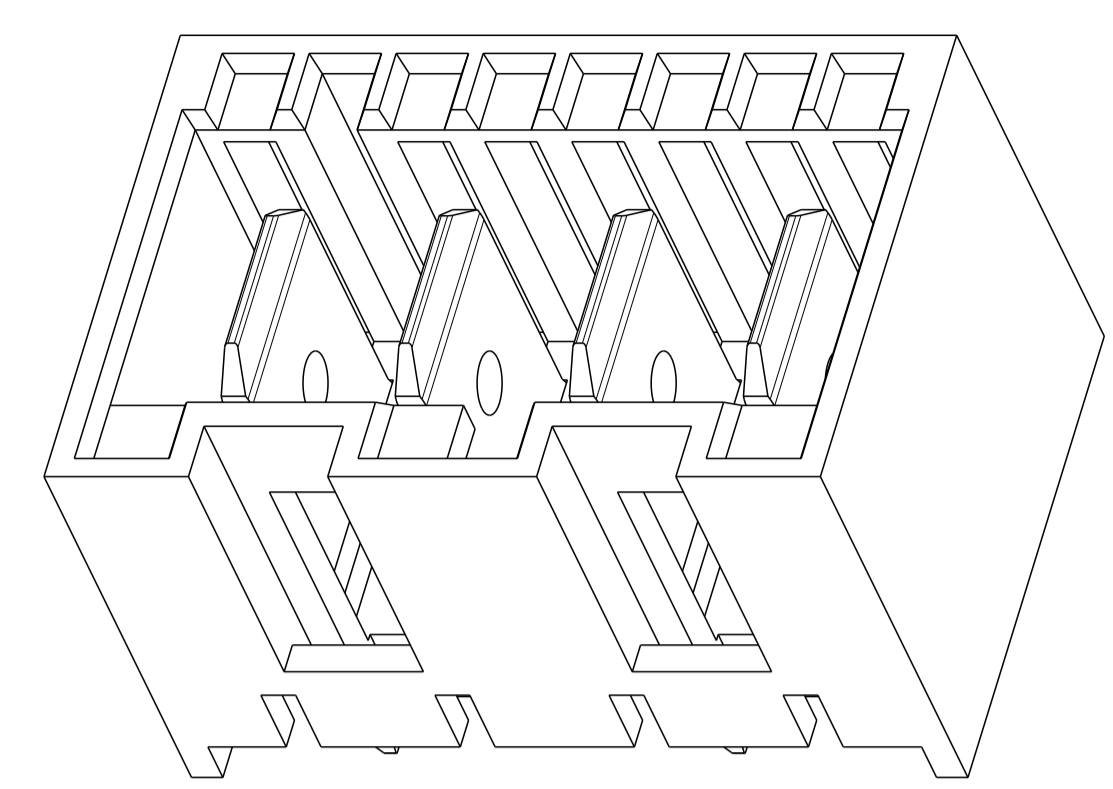
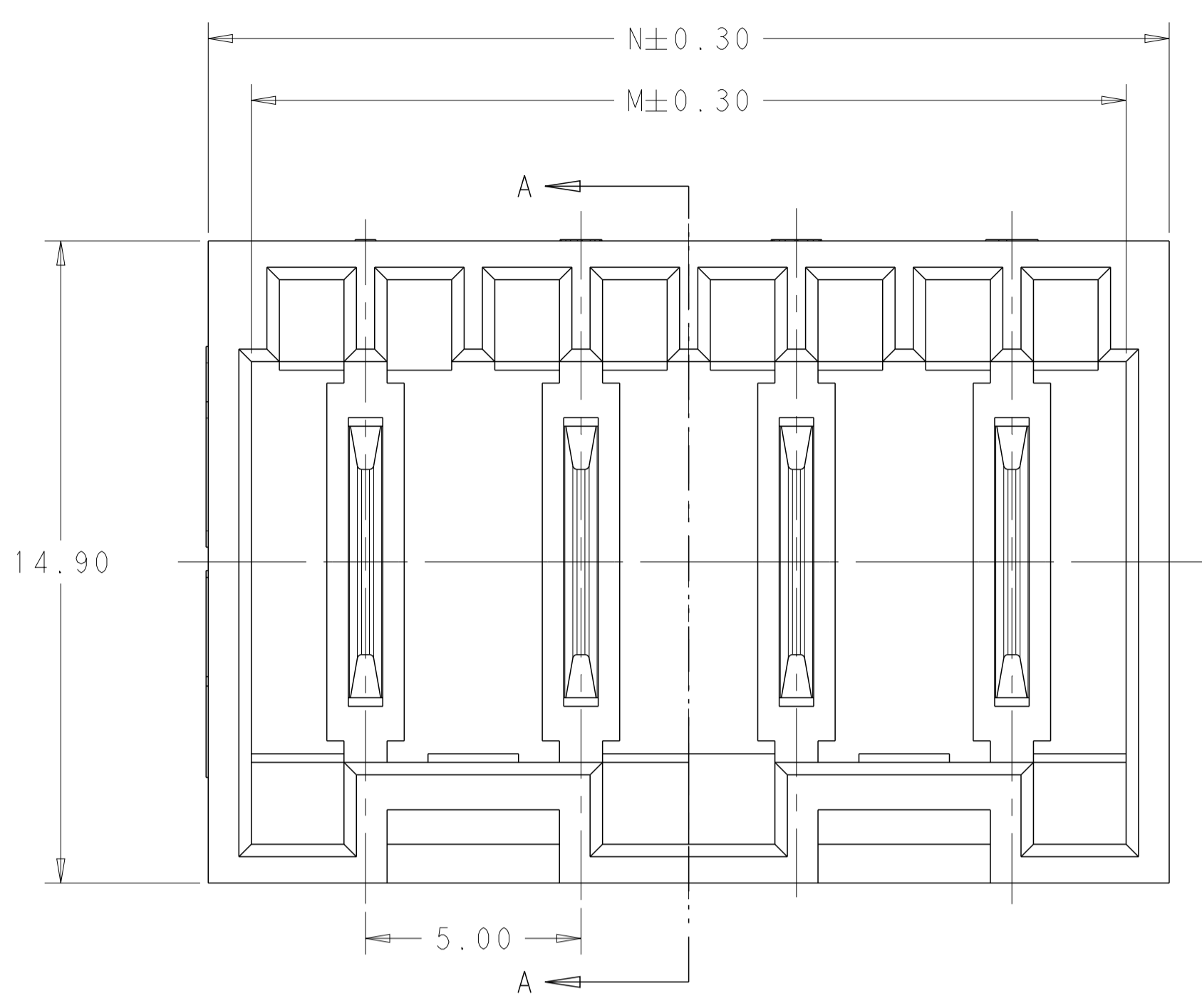
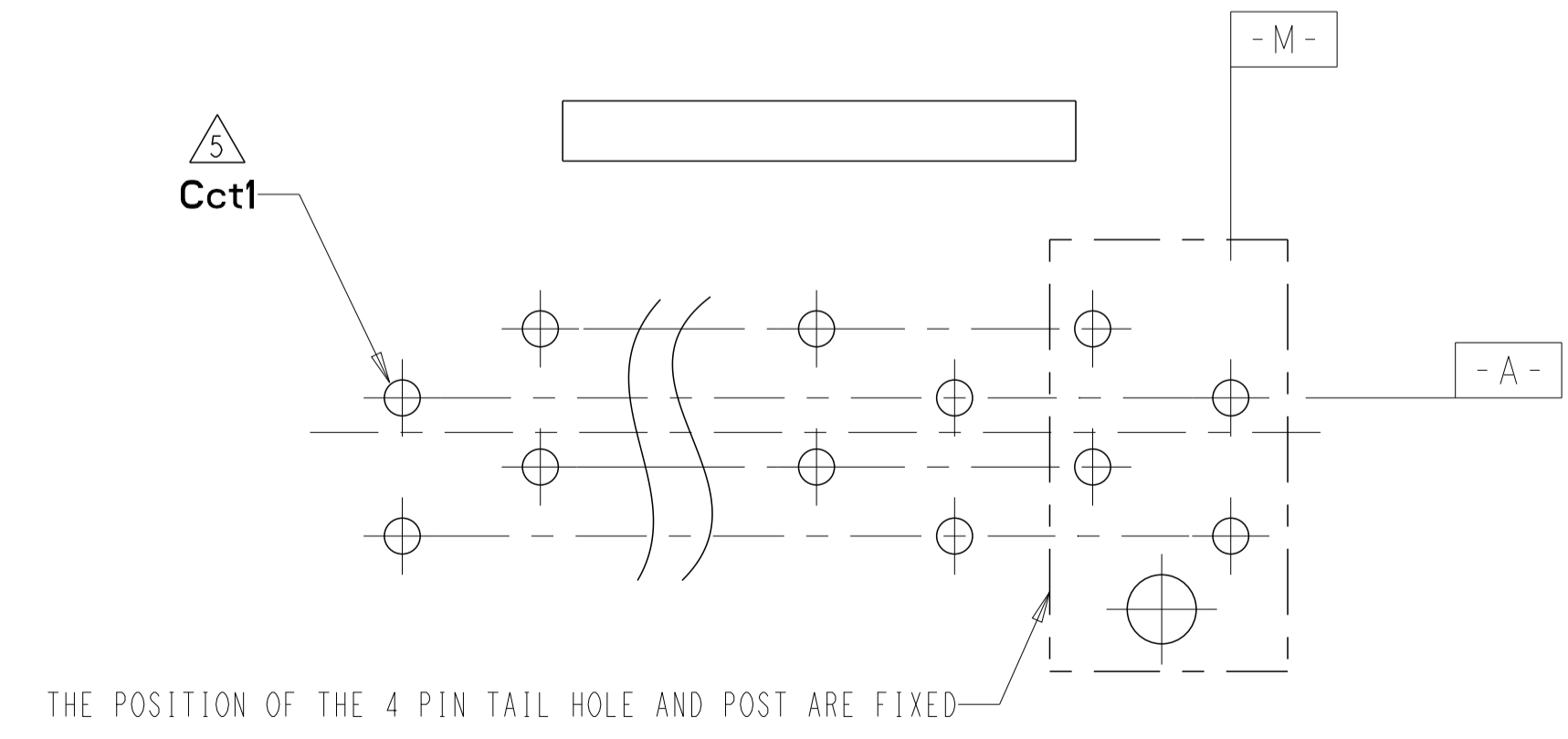
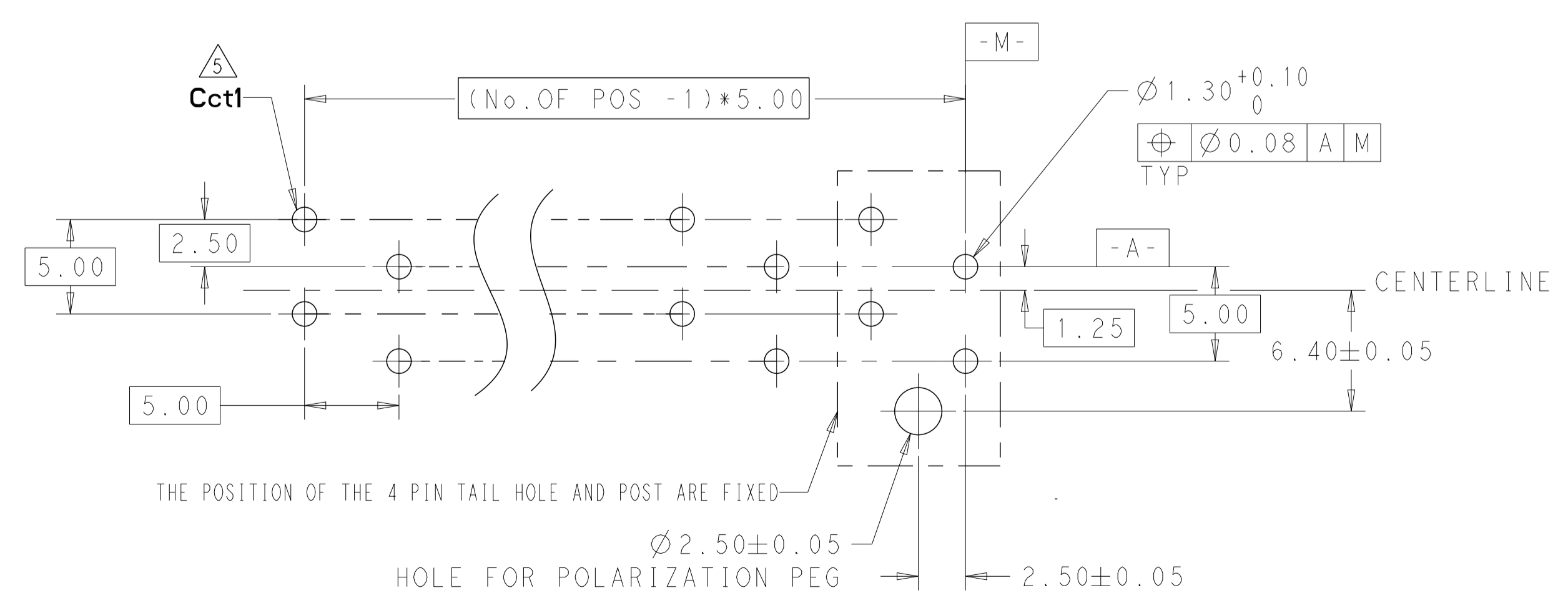
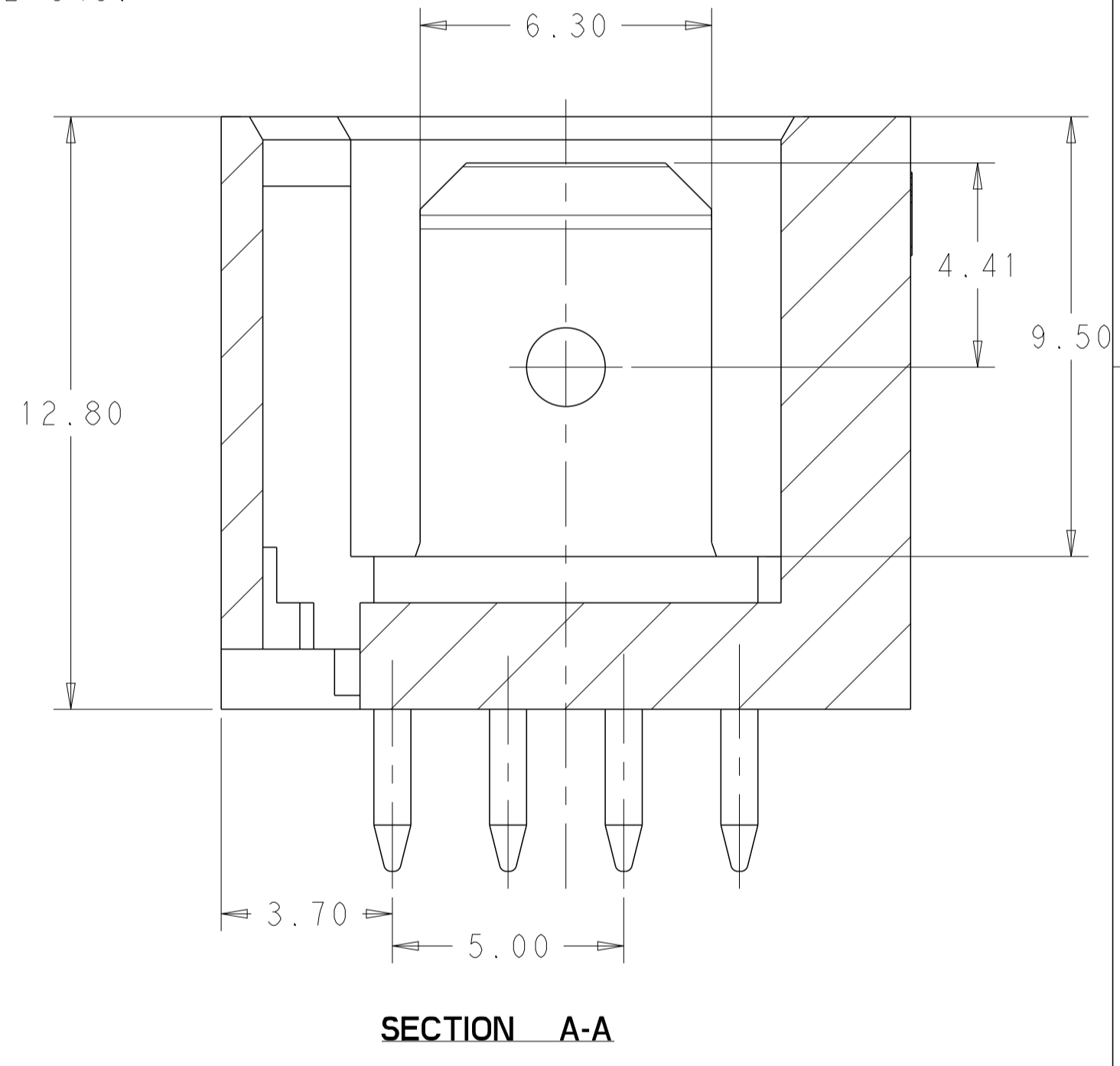
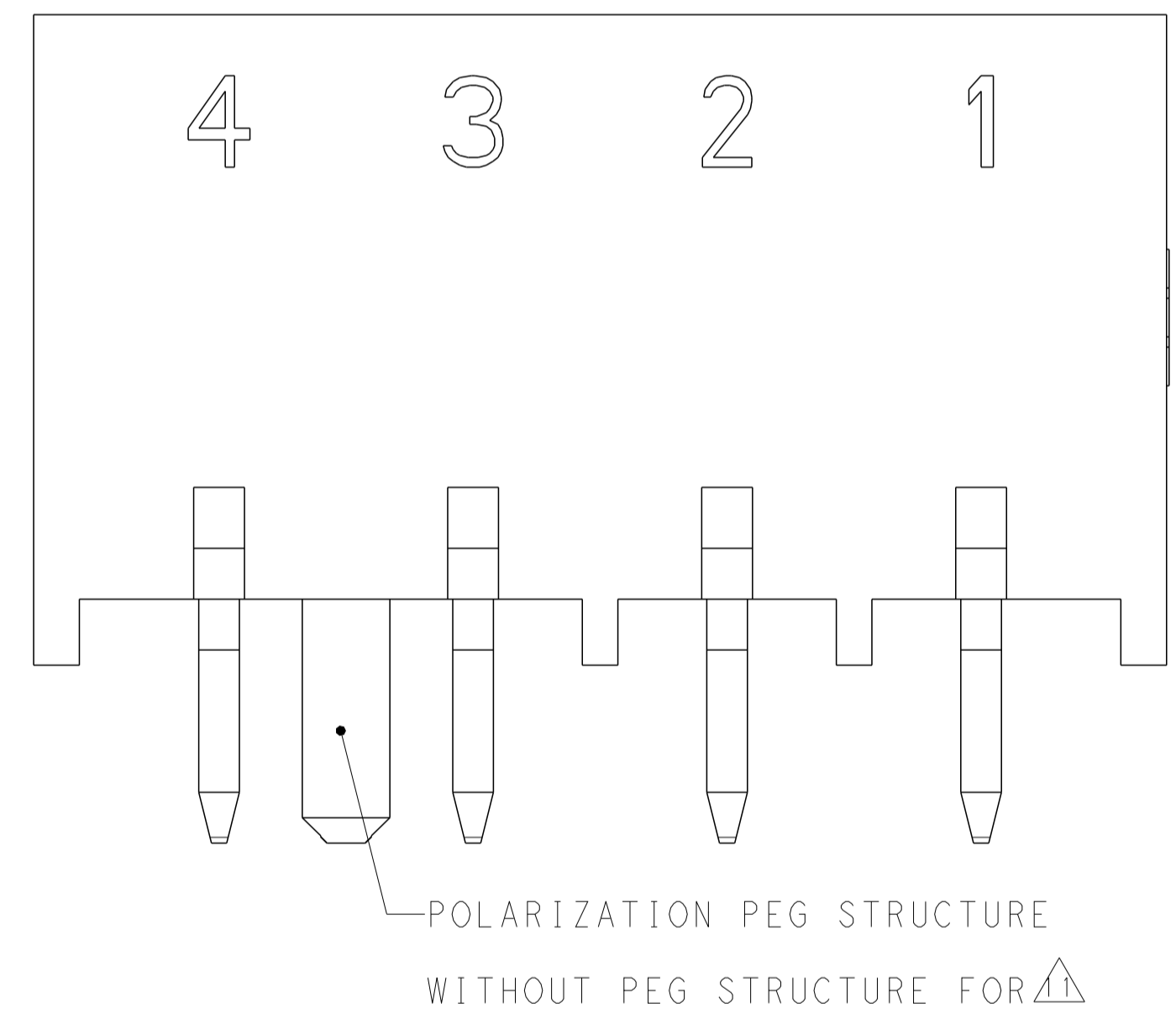
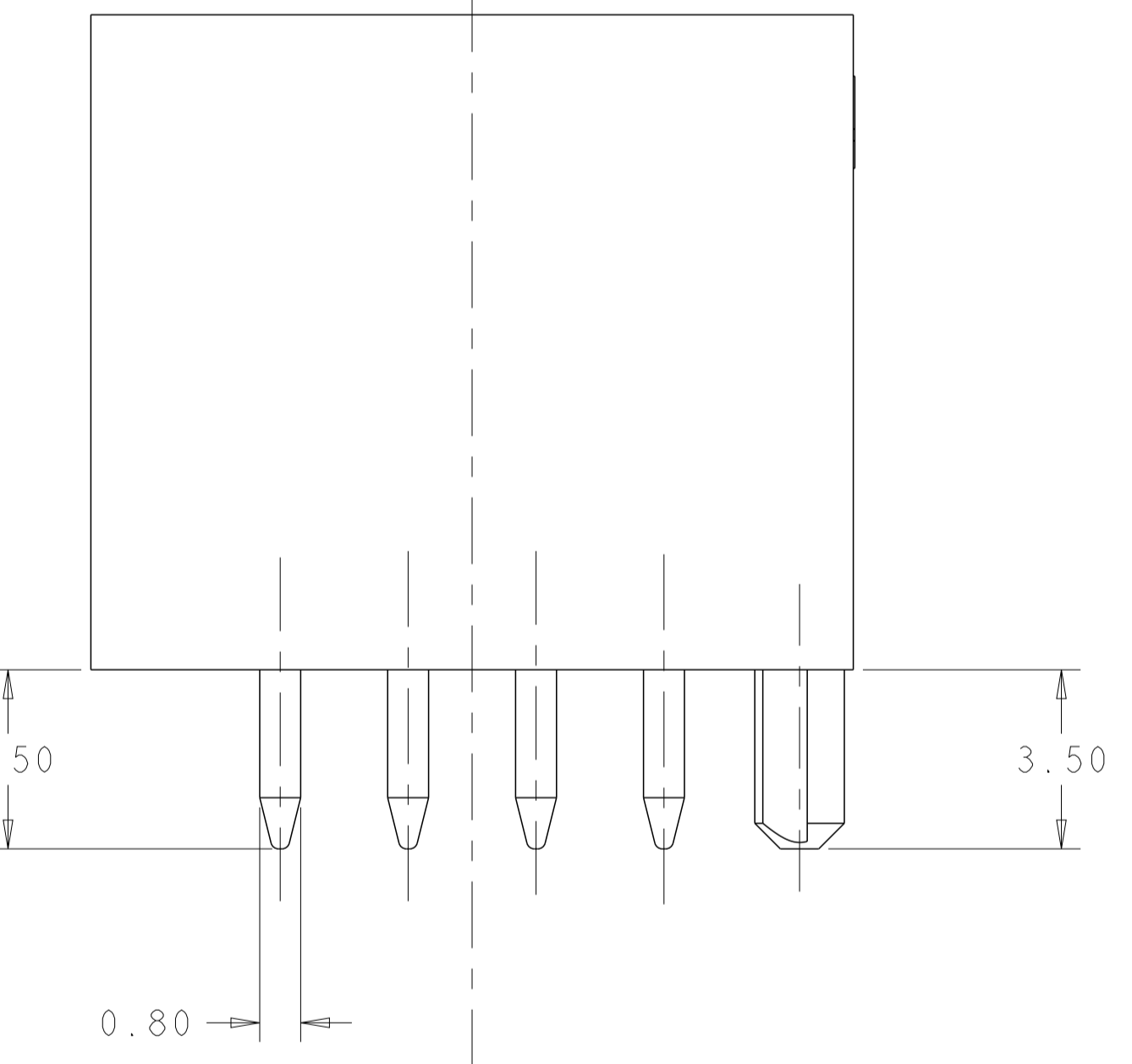
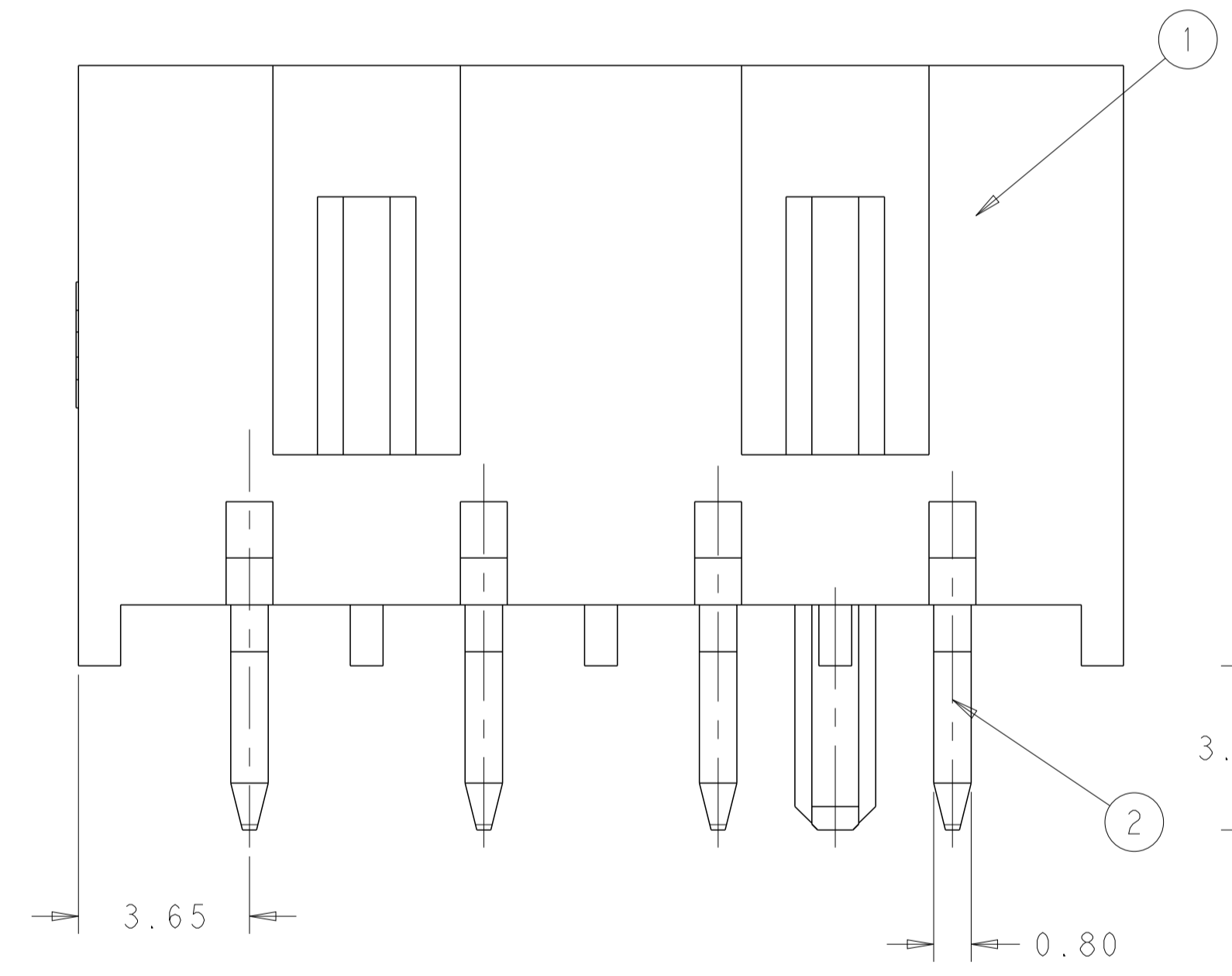


| REVISONS | | DATE | OWN | APVD |
|----------|---------------|-----------|-----|------|
| B6 | ECR-23-174458 | 11MAY2023 | SP | FL |
| B7 | ECR-23-177634 | 19JUN2023 | SM | FL |
| B8 | ECR-23-190097 | 20OCT2023 | TL | FL |



- ⚠ PART NUMBERS WITH TUBE PACKAGING
- ⚠ PART WITHOUT POLARIZATION PEG STRUCTURE (FOR PN: 2316476-3)
- ⚠ TOOL MARK ON TERMINAL SURFACE IS ACCEPTABLE WHICH DOES NOT IMPACT FUNCTION
- ⚠ PACKAGE: PE BAG
- ⚠ MATERIAL: HOUSING, NYLON, UL94 V0, 750°C GWT NO FLAME, 3 ALTERNATIVE RESIN
CONTACT, COPPER ALLOY, 0.8MM THICK

- NOTE
- 1 HOUSING HAS RAST 5 COMPLIANT KEYING, LATCHING, AND POLARIZATION TAB IS 6.30 X 0.8 ACCORDING TO DIN 46244
 - 2 SEE SHEET 2 FOR AVAILABLE CONFIGURATIONS
 - 3 MATERIAL: HOUSING, NYLON, UL94 V0, 750°C GWT NO FLAME
CONTACT, COPPER ALLOY, 0.8MM THICK
 - 4 FINISH: CONTACTS, MATT TIN PLATING OVERALL, NICKEL UNDER-PLATING
BRIGHT TIN PLATING OVERALL, NICKEL UNDER-PLATING
SILVER PLATING OVERALL, NICKEL UNDER-PLATING
 - ⚠ PCB TABS INSERTED IN A STAGGERED PATTERN BEGINNING WITH POSITION 1 (Cct1)
 - ⚠ THE PART NUMBERS SHOWING IN SHEET 2 & 3 & 4 & 5 ARE FOR NATURAL COLOR. THE PART NUMBER FOR OTHER COLOR ARE BASED ON THE NATURAL ONE: FOR THE SAME CONFIGURATION, THE PREFIX AND POSTFIX OF THE P/N ARE THE SAME, ONLY THE BASE NUMBER IS DIFFERENT ACCORDING TO DIFFERENT COLOR, DETAIL PLEASE SEE SHEET 6
 - 7 PACKAGING: LOOSE PIECE OR TUBE. THE PART NUMBERS IN THIS DRAWING ARE WITH LOOSE PIECE PACKAGING. PLEASE CONTACT TE SALES REPRESENTATIVES FOR TUBE PACKAGING REQUIREMENT.
 - ⚠ PRELIMINARY PART NOT RELEASED FOR PRODUCTION
 - ⚠ FOR P/N: 8-2232043-7:
1) THE CONTACTS ARE WITH BRIGHT TIN PLATING ACCORDING TO STANDARD:ASTM B 545.



RECOMMEND PCB LAYOUT - SOLDER SIDE
 EVEN NUMBER OF PINS
 PCB 15±0.2 THICK

RECOMMEND PCB LAYOUT - SOLDER SIDE
 ODD NUMBER OF PINS
 PCB 15±0.2 THICK

| N | M | NO. OF POS. |
|-------|-------|-------------|
| 42.30 | 40.30 | 8 |
| 37.30 | 35.30 | 7 |
| 32.30 | 30.30 | 6 |
| 27.30 | 25.30 | 5 |
| 22.30 | 20.30 | 4 |
| 17.30 | 15.30 | 3 |
| 12.30 | 10.30 | 2 |

THIS DRAWING IS A CONTROLLED DOCUMENT.

| | | |
|--------------------------|------------|---|
| OWN: Raybin.Wu | 17Mar2014 | TE Connectivity RAST 5 TAB HEADER ASSY, OPPOSITE DIN STYLE, TH, VERTICAL |
| CHK: Jain.Liu | 17Mar2014 | |
| APVD: Robone.Rickard | 17Mar2014 | |
| PRODUCT SPEC: 108-106080 | | |
| MATERIAL: | FINISH: | RESTRICTED TO: |
| Customer Drawing | SCALE: 5:1 | SHEET 1 OF 6 REV: B8 |

| LOC | DIST | P | LYN | DESCRIPTION | DATE | DWN | APVD |
|-----|------|---|-----|-------------|------|-----|------|
| ES | 00 | - | - | SEE SHEET 1 | - | - | - |

| QTY | ② | QTY | ① | NO. OF POS. | TE PART NO. |
|-------------|--|-----|---|-------------|--|
| 8 | TAB CONTACT MATT TIN PLATING (8-2232043-7 IS WITH BRIGHT TIN) | 1 | RAST 5 TAB HEADER HOUSING, 8P, NATURE (SEE THE DETAIL LAYOUT ON SHEET 5) | 8 | 5-2232043-8 |
| 4-2232043-8 | | | | | |
| 3-2232043-8 | | | | | |
| 2-2232043-8 | | | | | |
| 1-2232043-8 | | | | | |
| 2232043-8 | | | | | |
| 9-2232043-7 | | | | | |
| 8-2232043-7 | | | | | |
| 7-2232043-7 | | | | | |
| 6-2232043-7 | | | | | |
| 5-2232043-7 | | | | | |
| 4-2232043-7 | | | | | |
| 3-2232043-7 | | | | | |
| 2-2232043-7 | | | | | |
| 1-2232043-7 | | | | | |
| 2232043-7 | | | | | |
| 7 | TAB CONTACT MATT TIN PLATING (8-2232043-7 IS WITH BRIGHT TIN) | 1 | RAST 5 TAB HEADER HOUSING, 7P, NATURE (SEE THE DETAIL LAYOUT ON SHEET 5) | 7 | 9-2232043-7 |
| 8-2232043-7 | | | | | |
| 7-2232043-7 | | | | | |
| 6-2232043-7 | | | | | |
| 5-2232043-7 | | | | | |
| 4-2232043-7 | | | | | |
| 3-2232043-7 | | | | | |
| 2-2232043-7 | | | | | |
| 1-2232043-7 | | | | | |
| 2232043-7 | | | | | |
| 2232045-6 | | | | | |
| 9-2232043-6 | | | | | |
| 8-2232043-6 | | | | | |
| 7-2232043-6 | | | | | |
| 6-2232043-6 | | | | | |
| 6 | | | | | TAB CONTACT MATT TIN PLATING (8-2232043-7 IS WITH BRIGHT TIN) |
| 4-2232043-6 | | | | | |
| 3-2232043-6 | | | | | |
| 2-2232043-6 | | | | | |
| 1-2232043-6 | | | | | |
| 2232043-6 | | | | | |
| 2232512-5 | | | | | |
| 9-2232043-5 | | | | | |
| 8-2232043-5 | | | | | |
| 7-2232043-5 | | | | | |
| 6-2232043-5 | | | | | |
| 5-2232043-5 | | | | | |
| 4-2232043-5 | | | | | |
| 3-2232043-5 | | | | | |
| 2-2232043-5 | | | | | |
| 1-2232043-5 | | | | | |
| 2232043-5 | | | | | |
| 5 | TAB CONTACT MATT TIN PLATING (8-2232043-7 IS WITH BRIGHT TIN) | 1 | RAST 5 TAB HEADER HOUSING, 5P, NATURE (SEE THE DETAIL LAYOUT ON SHEET 4) | 5 | 5-2232043-5 |
| 4-2232043-5 | | | | | |
| 3-2232043-5 | | | | | |
| 2-2232043-5 | | | | | |
| 1-2232043-5 | | | | | |
| 2232043-5 | | | | | |

| QTY | ② | QTY | ① | NO. OF POS. | TE PART NO. |
|-------------|---------------------------------|-----|---|-------------|-------------|
| 4 | TAB CONTACT MATT TIN PLATING | 1 | RAST 5 TAB HEADER HOUSING, 4P, NATURE (SEE THE DETAIL LAYOUT ON SHEET 4) | 4 | 5-2232045-4 |
| 4-2232045-4 | | | | | |
| 3-2232045-4 | | | | | |
| 2-2232045-4 | | | | | |
| 2232045-4 | | | | | |
| 9-2232043-4 | | | | | |
| 8-2232043-4 | | | | | |
| 7-2232043-4 | | | | | |
| 6-2232043-4 | | | | | |
| 5-2232043-4 | | | | | |
| 4-2232043-4 | | | | | |
| 3-2232043-4 | | | | | |
| 2-2232043-4 | | | | | |
| 1-2232043-4 | | | | | |
| 2303420-4 | | | | | |
| 2232043-4 | | | | | |
| 3 | TAB CONTACT MATT TIN PLATING | 1 | RAST 5 TAB HEADER HOUSING, 3P, NATURE (SEE THE DETAIL LAYOUT ON SHEET 4) | 3 | 6-2232045-3 |
| 5-2232045-3 | | | | | |
| 4-2232045-3 | | | | | |
| 3-2232045-3 | | | | | |
| 2-2232045-3 | | | | | |
| 1-2232045-3 | | | | | |
| 2232045-3 | | | | | |
| 9-2232043-3 | | | | | |
| 8-2232043-3 | | | | | |
| 7-2232043-3 | | | | | |
| 6-2232043-3 | | | | | |
| 5-2232043-3 | | | | | |
| 4-2232043-3 | | | | | |
| 3-2232043-3 | | | | | |
| 2-2232043-3 | | | | | |
| 1-2232043-3 | | | | | |
| 2303420-3 | | | | | |
| 2232043-3 | | | | | |
| 2 | TAB CONTACT MATT TIN PLATING | 1 | RAST 5 TAB HEADER HOUSING, 2P, NATURE (SEE THE DETAIL LAYOUT ON SHEET 4) | 2 | 4-2232045-2 |
| 3-2232045-2 | | | | | |
| 2-2232045-2 | | | | | |
| 1-2232045-2 | | | | | |
| 2232045-2 | | | | | |
| 9-2232043-2 | | | | | |
| 8-2232043-2 | | | | | |
| 7-2232043-2 | | | | | |
| 6-2232043-2 | | | | | |
| 5-2232043-2 | | | | | |
| 4-2232043-2 | | | | | |
| 3-2232043-2 | | | | | |
| 2-2232043-2 | | | | | |
| 1-2232043-2 | | | | | |
| 2232043-2 | | | | | |

THIS DRAWING IS A CONTROLLED DOCUMENT.

DIMENSIONS: mm
 TOLERANCES UNLESS OTHERWISE SPECIFIED:
 0 PLC ±
 1 PLC ±0.25
 2 PLC ±
 3 PLC ±
 4 PLC ±
 ANGLES ±2°
 FINISH

MATERIAL: -
 WEIGHT: -
 CUSTOMER DRAWING

DWG: HUIPING_WU 30-Jan-13
 CHK: HAPYE_WU 30-Jan-13
 APVD: YHM 30-Jan-13
 PRODUCT SPEC: -
 APPLICATION SPEC: -
 SIZE: A1
 CAGE CODE: 00779
 DRAWING NO: 2232043
 RESTRICTED TO: -
 SCALE: N/A
 SHEET: 2 OF 6
 REV: B

STE TE Connectivity
 RAST 5 TAB HEADER ASSY, OPPOSITE
 DIN STYLE, TH, VERTICAL

| LOC | DIST | P | LYN | DESCRIPTION | DATE | OWN | APVD |
|-----|------|---|-----|-------------|------|-----|------|
| ES | 00 | - | - | SEE SHEET 1 | - | - | - |

| | | | | | |
|-----|---------------------------------|-----|---|-------------|---------------|
| 3 | TAB CONTACT W/SILVER PLATING | 1 | RAST 5 TAB HEADER HOUSING, 3P, NATURE (SEE THE DETAIL LAYOUT ON SHEET 4) | 3 | |
| QTY | ② | QTY | ① | NO. OF POS. | △ TE PART NO. |

| | | | | | |
|-----|----------------------------------|-----|---|-------------|--|
| 8 | TAB CONTACT w/ SILVER PLATING | 1 | RAST 5 TAB HEADER HOUSING, 8P, NATURE (SEE THE DETAIL LAYOUT ON SHEET 5) | 8 | 5-2232044-8 4-2232044-8 3-2232044-8 2-2232044-8 1-2232044-8 2232044-8 |
| 7 | | 1 | RAST 5 TAB HEADER HOUSING, 7P, NATURE (SEE THE DETAIL LAYOUT ON SHEET 5) | 7 | 9-2232044-7 8-2232044-7 7-2232044-7 6-2232044-7 5-2232044-7 4-2232044-7 3-2232044-7 2-2232044-7 1-2232044-7 2232044-7 |
| 6 | | 1 | RAST 5 TAB HEADER HOUSING, 6P, NATURE (SEE THE DETAIL LAYOUT ON SHEET 5) | 6 | 2232046-6 9-2232044-6 8-2232044-6 7-2232044-6 6-2232044-6 5-2232044-6 4-2232044-6 3-2232044-6 2-2232044-6 1-2232044-6 2232044-6 |
| 5 | | 1 | RAST 5 TAB HEADER HOUSING, 5P, NATURE (SEE THE DETAIL LAYOUT ON SHEET 4) | 5 | △△ 1-2461807-5 9-2232044-5 8-2232044-5 7-2232044-5 6-2232044-5 5-2232044-5 4-2232044-5 3-2232044-5 2-2232044-5 1-2232044-5 2232044-5 |
| QTY | ② | QTY | ① | NO. OF POS. | TE PART NO. |

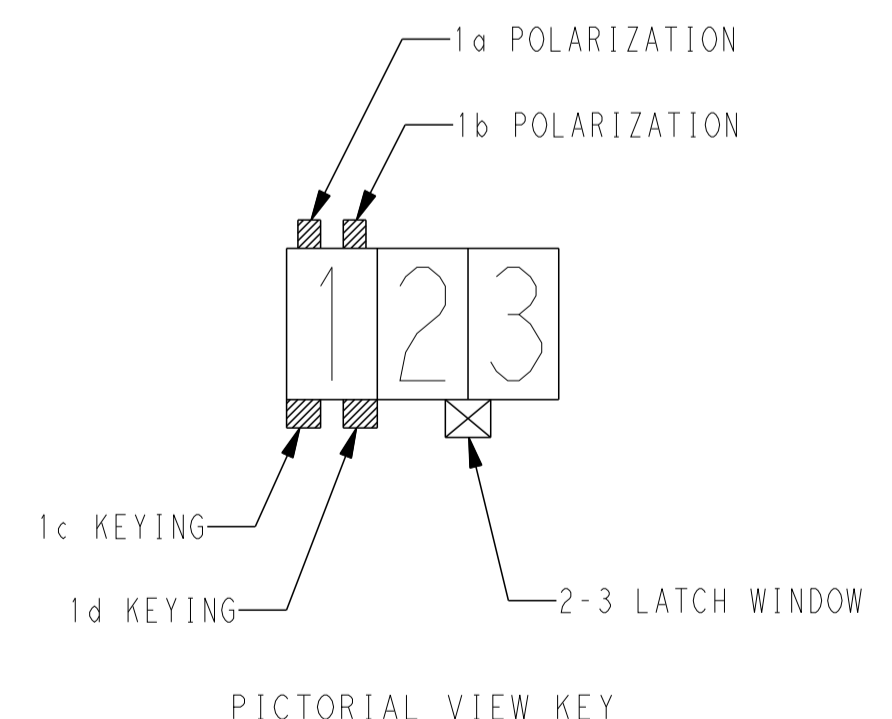
| | | | | | |
|-----|----------------------------------|---|---|---|---|
| 4 | TAB CONTACT w/ SILVER PLATING | 1 | RAST 5 TAB HEADER HOUSING, 4P, NATURE (SEE THE DETAIL LAYOUT ON SHEET 4) | 4 | 5-2232046-4 4-2232046-4 3-2232046-4 2-2232046-4 1-2232046-4 2232046-4 9-2232044-4 8-2232044-4 7-2232044-4 6-2232044-4 5-2232044-4 4-2232044-4 3-2232044-4 2-2232044-4 1-2232044-4 2232044-4 |
| 3 | | 1 | RAST 5 TAB HEADER HOUSING, 3P, NATURE (SEE THE DETAIL LAYOUT ON SHEET 4) | 3 | △ 6-2461807-3 △ △ 4-2232046-3 △ △ 3-2232046-3 △ 2-2232046-3 1-2232046-3 2232046-3 9-2232044-3 8-2232044-3 7-2232044-3 6-2232044-3 5-2232044-3 4-2232044-3 3-2232044-3 2-2232044-3 1-2232044-3 2304587-3 △ 2232044-3 |
| 2 | | 1 | RAST 5 TAB HEADER HOUSING, 2P, NATURE (SEE THE DETAIL LAYOUT ON SHEET 4) | 2 | 4-2232046-2 3-2232046-2 2-2232046-2 1-2232046-2 2232046-2 9-2232044-2 8-2232044-2 7-2232044-2 6-2232044-2 5-2232044-2 4-2232044-2 3-2304587-2 3-2232044-2 2-2232044-2 1-2232044-2 2232044-2 |
| QTY | | ② | QTY | ① | NO. OF POS. |

THIS DRAWING IS A CONTROLLED DOCUMENT.

| | | | | |
|-------------|---|------------------|--|------------------|
| DIMENSIONS: | TOLERANCES UNLESS OTHERWISE SPECIFIED: | OWN: RUIPING_WU | CHK: HAPYE_WU | 30-Jan-13 |
| mm | 0 PLC ± 1 PLC ± 2 PLC ±0.25 3 PLC ± 4 PLC ± ANGLES ±2° FINISH | APVD: THEM | NAME: RAST 5 TAB HEADER ASSY, OPPOSITE DIN STYLE, TH, VERTICAL | 30-Jan-13 |
| MATERIAL: | | PRODUCT SPEC | APPLICATION SPEC | |
| | | WEIGHT | SCALE: N/A | SHEET 3 OF 6 |
| | | CUSTOMER DRAWING | SIZE: A1 | CAGE CODE: 00779 |

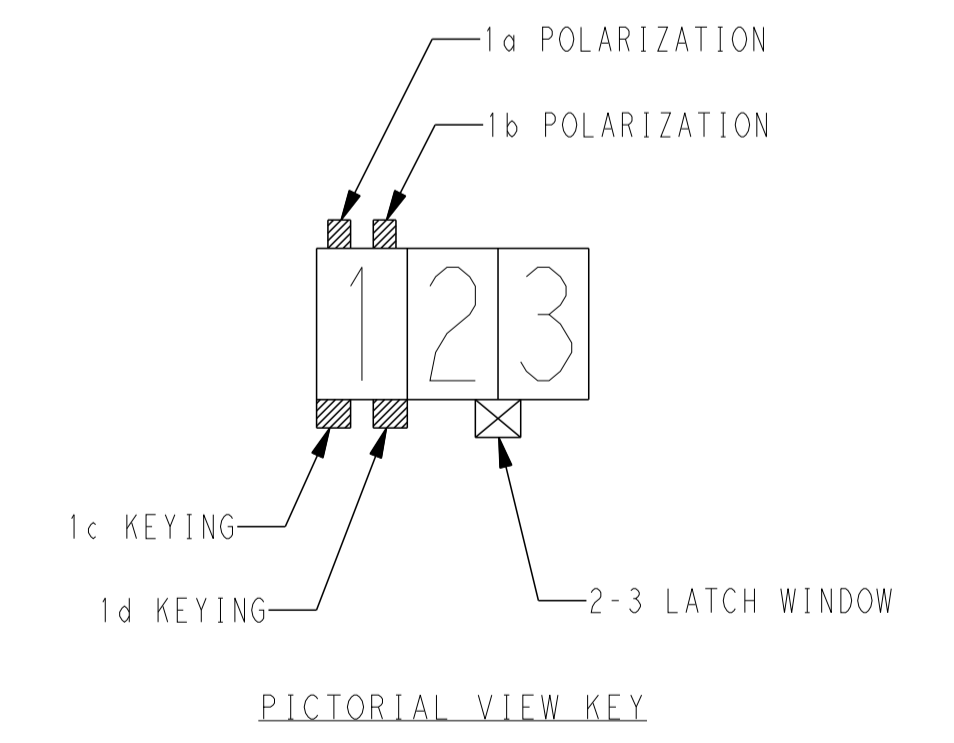
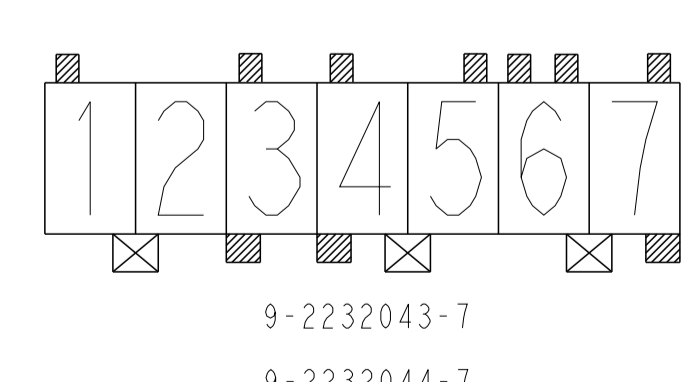
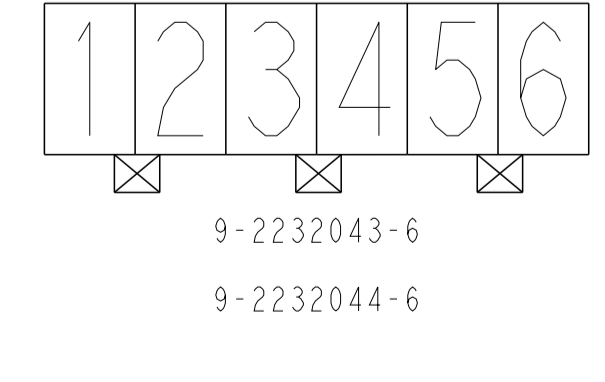
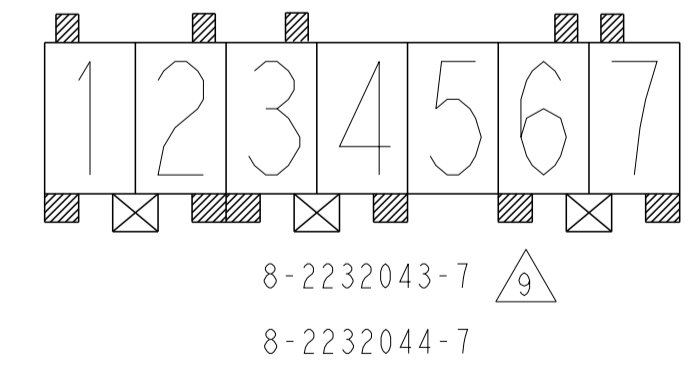
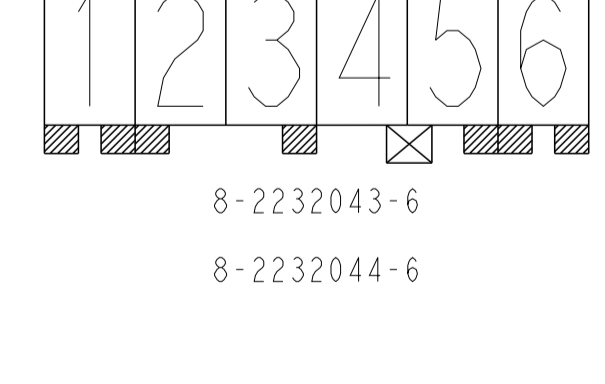
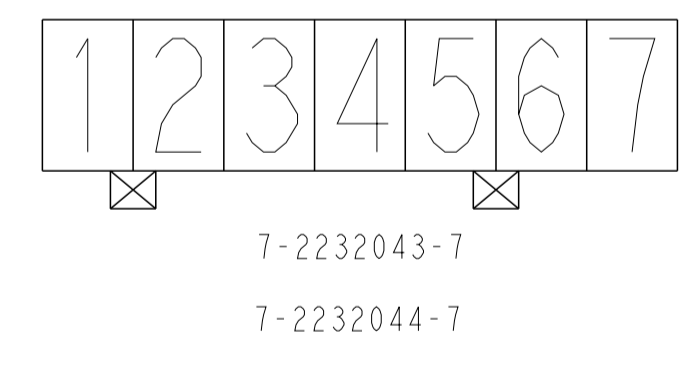
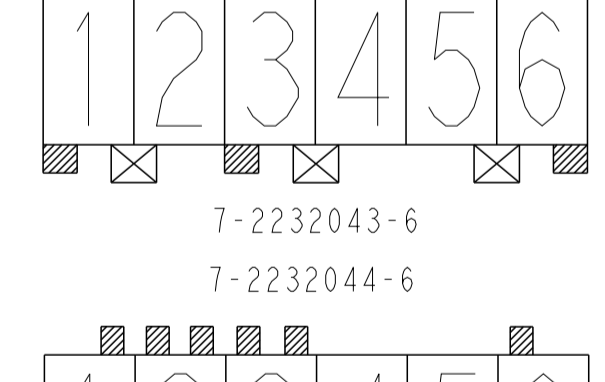
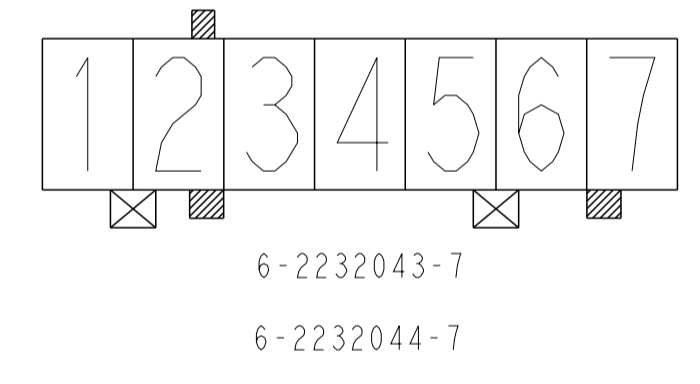
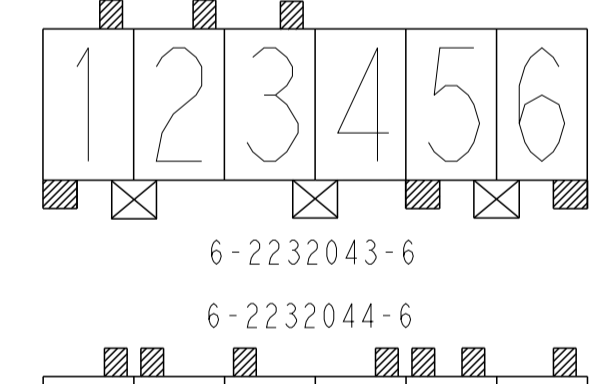
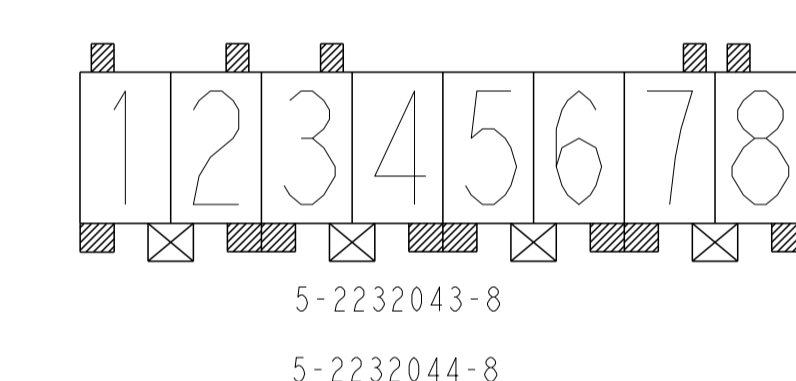
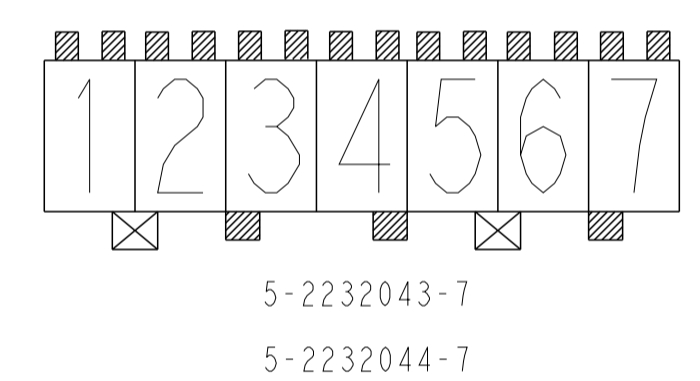
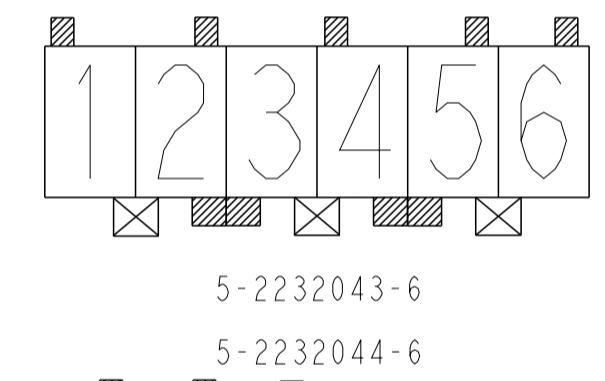
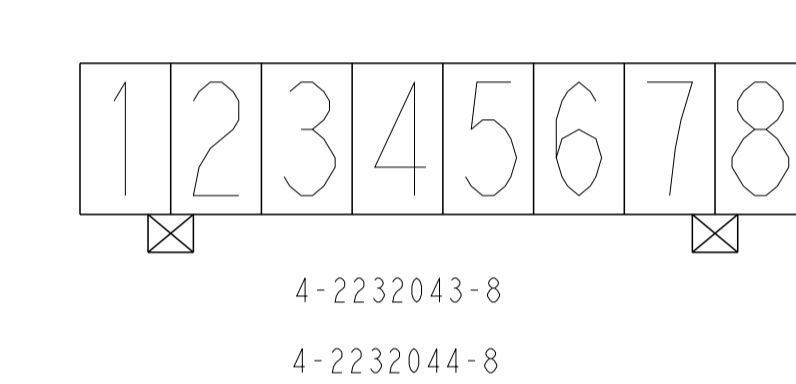
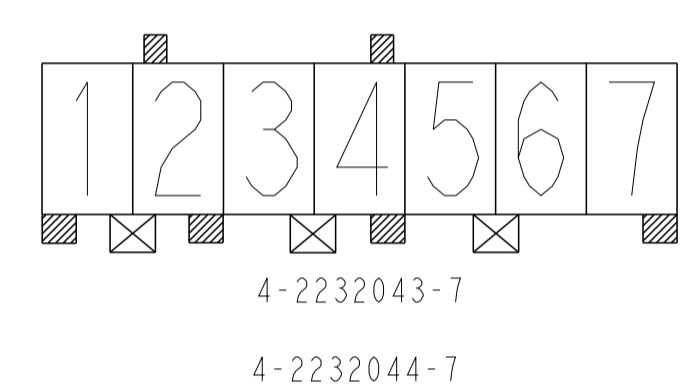
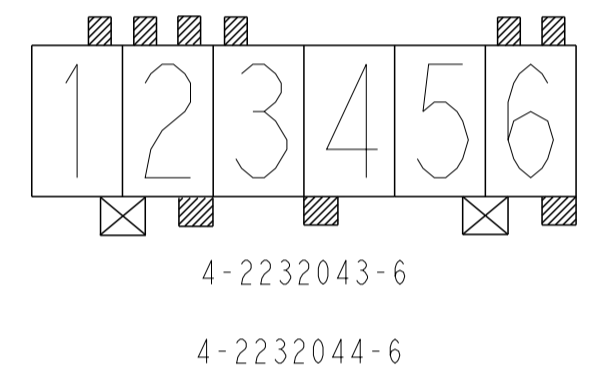
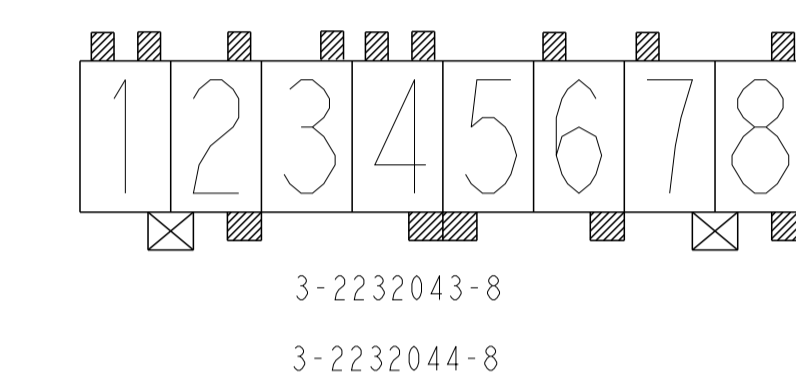
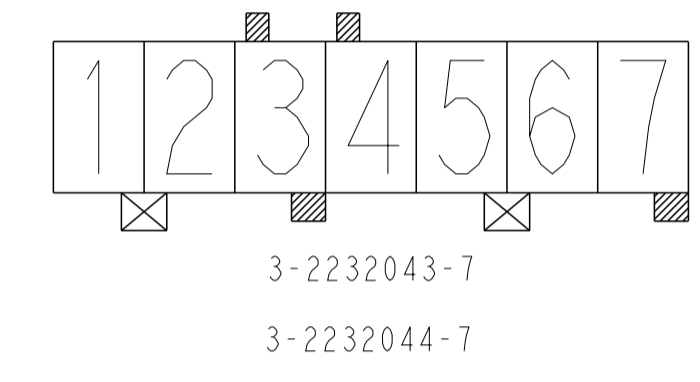
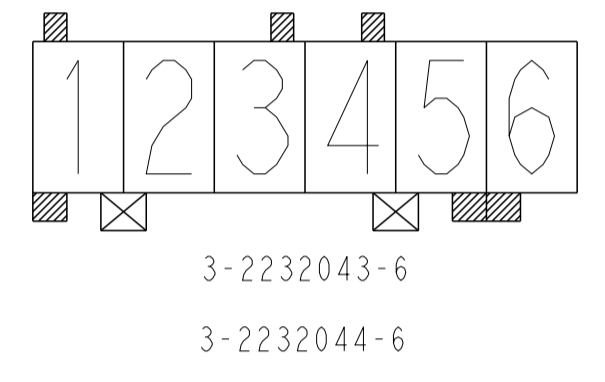
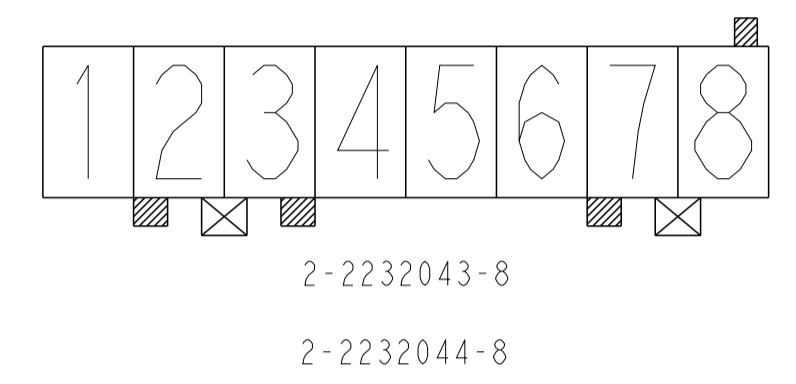
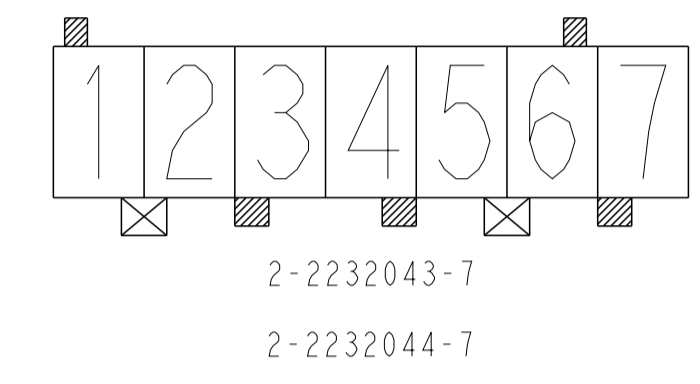
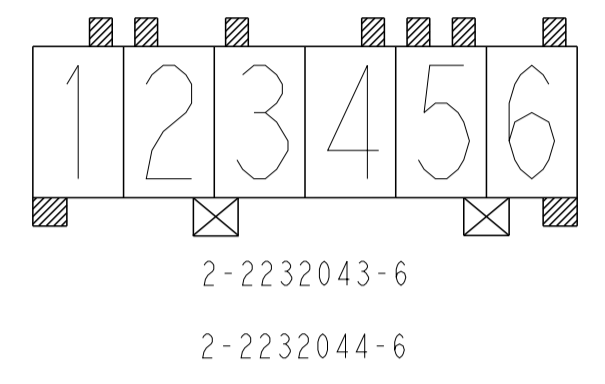
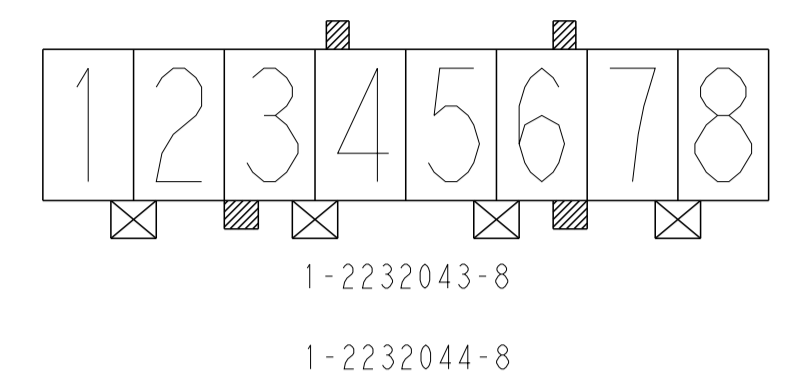
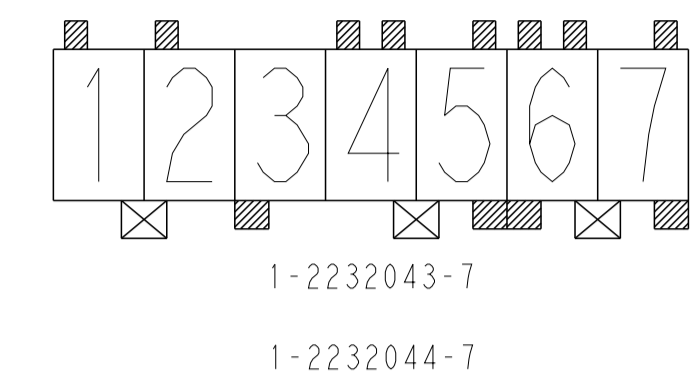
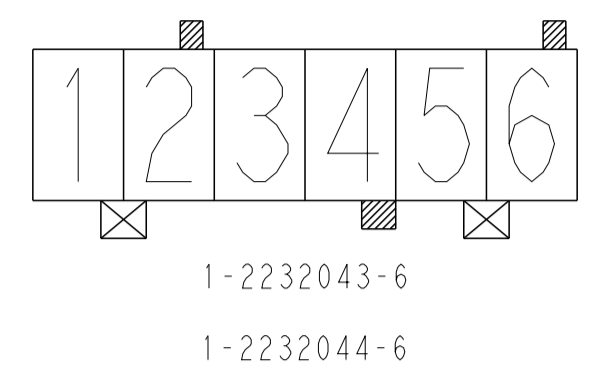
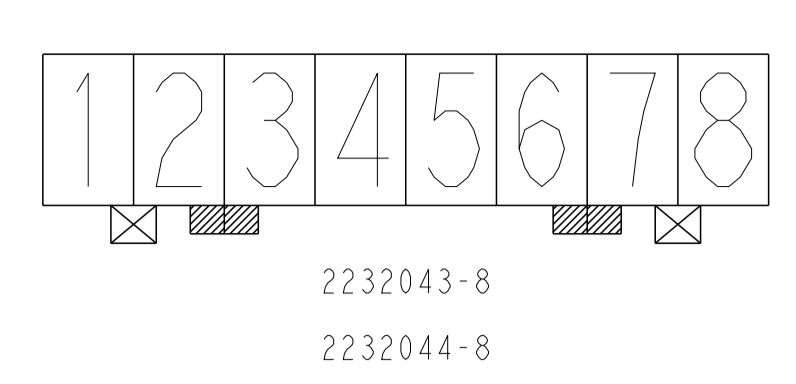
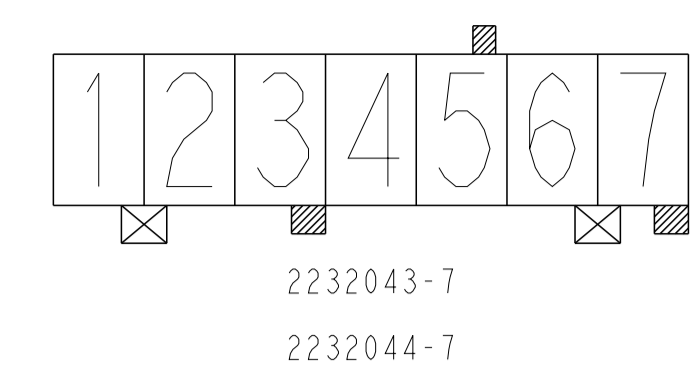
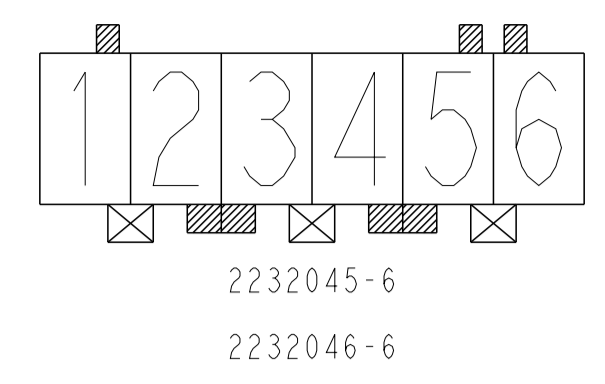
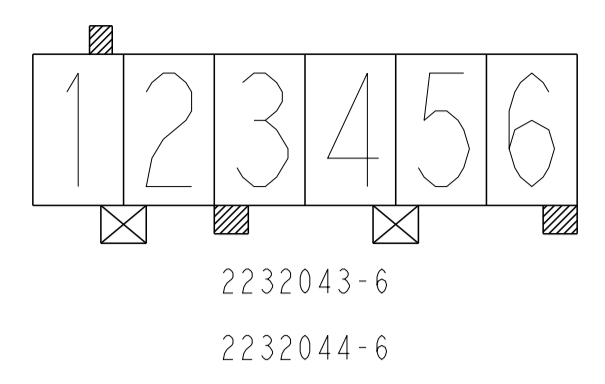
4805 (3/11)

| LOC | | DIST | | REVISIONS | | | |
|-----|----|------|-----|-------------|------|-----|------|
| ES | 00 | P | LTM | DESCRIPTION | DATE | OWN | APVD |
| | | | | SEE SHEET 1 | | | |
| | | | | | | | |
| | | | | | | | |



| | | | | |
|---|--|-------------------|-----------|--|
| THIS DRAWING IS A CONTROLLED DOCUMENT. | | OWN RUIPING.WU | 30-Jan-13 | TE Connectivity NAME RAST 5 TAB HEADER ASSY, OPPOSITE DIN STYLE, TH, VERTICAL |
| DIMENSIONS: | | CHK HAPYE.WU | 30-Jan-13 | |
| TOLERANCES UNLESS OTHERWISE SPECIFIED: | | APVD YIM | 30-Jan-13 | SIZE A1 |
| mm | | PRODUCT SPEC | | CAGE CODE 00779 |
| 0 PLC ± 1 PLC ±0.25 2 PLC ± 3 PLC ± 4 PLC ± ANGLES ±2° | | APPLICATION SPEC | | DRAWING NO 2232043 |
| MATERIAL | | WEIGHT | | RESTRICTED TO |
| FINISH | | CUSTOMER DRAWING | | SCALE N/A |
| | | SHEET 4 | | OF 6 |
| | | REV B | | |

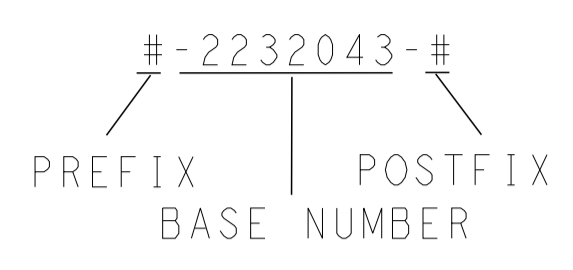
| LOC | DIST | REVISIONS | | | | | |
|-----|------|-----------|-----|-------------|------|-----|------|
| ES | 00 | P | LTN | DESCRIPTION | DATE | DMN | APVD |
| | | - | | SEE SHEET 1 | - | - | - |
| | | | | | | | |
| | | | | | | | |



| | | | |
|--|-------------|---------------------------|---|
| THIS DRAWING IS A CONTROLLED DOCUMENT. | | DMN: RUIPING WU 30-Jan-13 | TE Connectivity NAME: RAST 5 TAB HEADER ASSY, OPPOSITE DIN STYLE, TH, VERTICAL |
| DIMENSIONS: mm | | CHK: HAPYE WU 30-Jan-13 | |
| TOLERANCES UNLESS OTHERWISE SPECIFIED: | | APVD: YIHM 30-Jan-13 | RESTRICTED TO: |
| 0 PLC ± | 1 PLC ±0.25 | PRODUCT SPEC | SIZE: A1 |
| 2 PLC ± | 3 PLC ± | APPLICATION SPEC | CAGE CODE: 00779 |
| 4 PLC ± | ANGLES ±2° | FINISH | DRAWING NO: 2232043 |
| MATERIAL: - | WEIGHT: - | CUSTOMER DRAWING | SCALE: N/A |
| | | SHEET 5 OF 6 | |
| | | REV B | |

| LOC | | DIST | | REVISIONS | | | |
|-----|-----|-------------|------|-----------|------|--|--|
| P | LTN | DESCRIPTION | DATE | DWN | APVD | | |
| | | SEE SHEET 1 | | | | | |

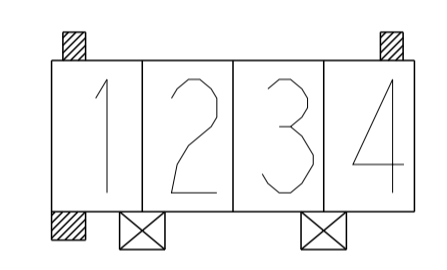
FOR ANY KEYING CONFIGURATION, THERE ARE EIGHT COLORS AVAILABLE. BESIDES THE NATURAL COLOR, THERE ARE OTHER SEVEN COLORS, INCLUDE: YELLOW, BLUE, GREY, PURPLE, RED, GREEN, BLACK. THE WHITE VERSION IS PRELIMINARY. THE P/N OF THE COLOR CONNECTOR ARE BASED ON THE NATURAL CONNECTOR. THE PREFIX AND POSTFIX ARE THE SAME FOR THE SAME KEYING CONFIGURATION, BUT THE BASE NUMBERS ARE DIFFERENT ACCORDING TO DIFFERENT COLOR. THE FOLLOWING SHOWS WHAT'S THE P/N FOR COLOR CONNECTOR



| COLOR | PART NUMBER OF THE CONNECTOR | | | | COMMENTS |
|---------|---|------------------|----------------------------|------------------|---|
| | WITH MATT TIN PLATING CONTACT (SPECIAL P/N: 8-2232043-7 ARE WITH BRIGHT TIN) | | WITH AG PLATING CONTACT | | |
| NATURAL | #-2232043-# / | #-2232045-# / | #-2232044-# #-2461807-# | #-2232046-# / | THE DETAIL P/N FOR DIFFERENT KEYING SEE SHEET 2-5 |
| RED | #-2232055-# | #-2232057-# | #-2232056-# | #-2232058-# | THE PREFIX AND POSTFIX ARE THE SAME WITH THE P/N OF THE NATURAL CONNECTOR FOR THE SAME KEYING CONFIGURATION, JUST THE BASE NUMBERS ARE DIFFERENT BASED ON DIFFERENT COLOR. # CAN BE THE NUMBER FROM 0 TO 9. |
| BLUE | #-2232047-# | #-2232049-# | #-2232048-# | #-2232050-# | |
| YELLOW | #-2232063-# | #-2232065-# | #-2232064-# | #-2232066-# | |
| BLACK | #-2232059-# | #-2232061-# | #-2232060-# | #-2232062-# | |
| GREY | #-2232067-# | #-2232069-# | #-2232068-# | #-2232070-# | |
| GREEN | #-2232051-# | #-2232053-# | #-2232052-# | #-2232054-# | |
| PURPLE | #-2232071-# | #-2232073-# | #-2232072-# | #-2232074-# | |
| WHITE | #-2232298-# | #-2232300-# | #-2232299-# | #-2232301-# | |

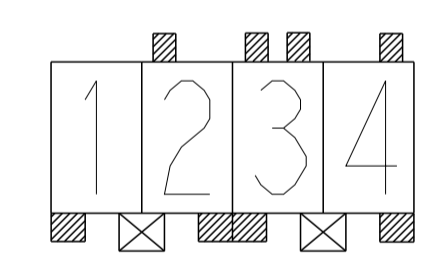
| COLOR | PART NUMBER OF THE CONNECTOR | | COMMENTS |
|---------|------------------------------|-------------|--|
| | WITH BRIGHT PLATING CONTACT | | |
| NATURAL | #-2232924-# | #-2232925-# | THE KEYING, POLARIZATION AND LATCH WINDOW CONFIGURATION ARE SAME AS THE MATT TIN CONNECTOR WITH THE SAME PREFIX AND POSTFIX FOR EACH COLOR. FOR EXAMPLE: 2232924-4 AND 2232043-4 HAVE SAME KEYING, POLARIZATION AND LATCH WINDOW CONFIGURATION. 2232925-4 AND 2232045-4 HAVE SAME KEYING, POLARIZATION AND LATCH WINDOW CONFIGURATION. THE DETAIL KEYING, POLARIZATION AND LATCH WINDOW CONFIGURATION FOR EACH P/N, PLEASE SEE SHEET 2-5 |
| RED | #-2232926-# | #-2232927-# | |
| BLUE | #-2232928-# | #-2232929-# | |
| YELLOW | #-2232930-# | #-2232931-# | |
| BLACK | #-2232932-# | #-2232933-# | |
| GREY | #-2232934-# | #-2232935-# | |
| GREEN | #-2232936-# | #-2232937-# | |
| PURPLE | #-2232938-# | #-2232939-# | |
| WHITE | #-2232940-# | #-2232941-# | |

FOR EXAMPLE, IF A CONNECTOR WITH THE CONFIGURATION AS BELOW, AND WITH TIN PLATING CONTACT, IN THE SHEET 4, WE CAN FIND THE RELATED CONNECTOR P/N WITH NATURAL COLOR IS 1-2232043-4, THEN WE CAN LOOK IN THE ABOVE TABLE TO FIND THE CONNECTOR P/N WITH RED COLOR IS 1-2232055-4



1-2232043-4

FOR ANOTHER EXAMPLE, IF A CONNECTOR WITH THE CONFIGURATION AS BELOW, AND WITH TIN PLATING CONTACT, IN THE SHEET 4, WE CAN FIND THE RELATED CONNECTOR P/N WITH NATURAL COLOR IS 1-2232045-4, THEN WE CAN LOOK IN THE ABOVE TABLE TO FIND THE CONNECTOR P/N WITH RED COLOR IS 1-2232057-4



1-2232045-4

| | | | |
|--|---|--------------------------------|--|
| THIS DRAWING IS A CONTROLLED DOCUMENT. | | DWN RUIPING.WU 20-Oct-23 | TE Connectivity NAME RAST 5 TAB HEADER ASSY, OPPOSITE DIN STYLE, TH, VERTICAL |
| DIMENSIONS: | | CHK HAPYE.WU 20-Oct-23 | |
| TOLERANCES UNLESS OTHERWISE SPECIFIED: | | APVD YIM 20-Oct-23 | |
| mm | 0 PLC ± 1 PLC ± 2 PLC ±0.25 3 PLC ± 4 PLC ± | PRODUCT SPEC 108-106080 | SIZE A100779 |
| MATERIAL | | FINISH | RESTRICTED TO |
| Customer Drawing | | SCALE 5:1 | SHEET 6 OF 6 REV B8 |

Mouser Electronics

Authorized Distributor

Click to View Pricing, Inventory, Delivery & Lifecycle Information:

[TE Connectivity:](#)

[1-2232044-4](#)