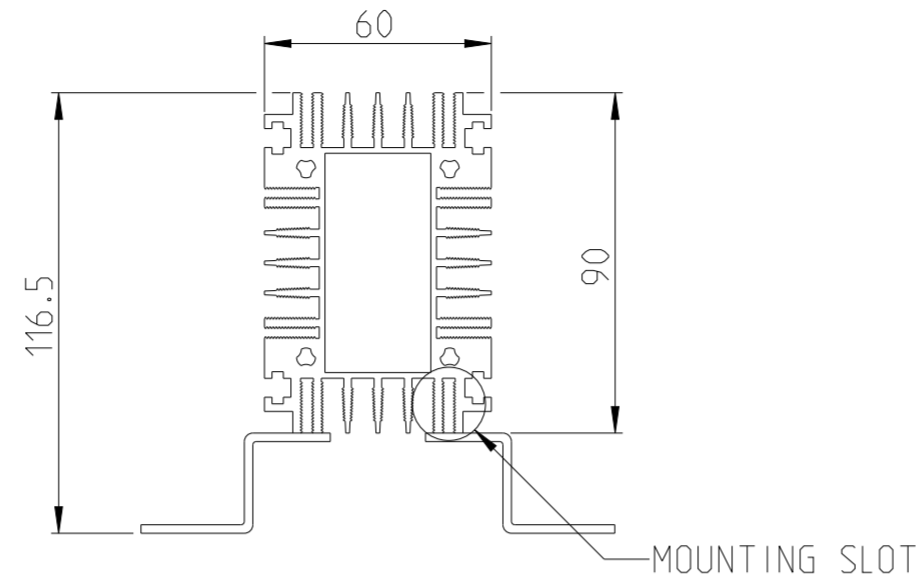


P	LTR	DESCRIPTION	DATE	DWN	APVD
A		INITIAL DRAWING RELEASE	22JUN2023	DM	AP
A1		CHANGE DIMENSION ON MOUNTING FEET	10AUG2023	DM	AP

VERTICAL MOUNTING



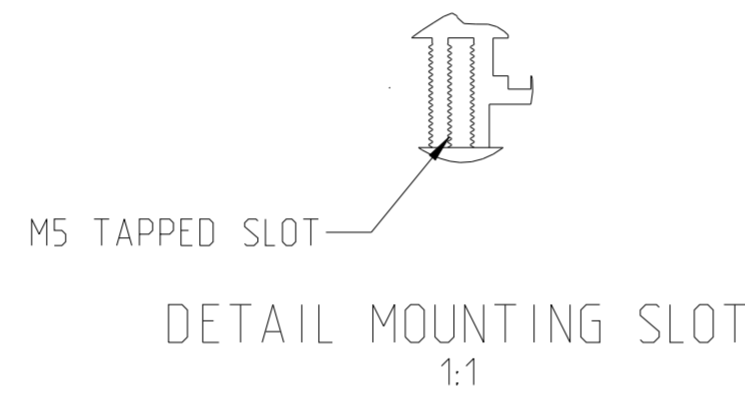
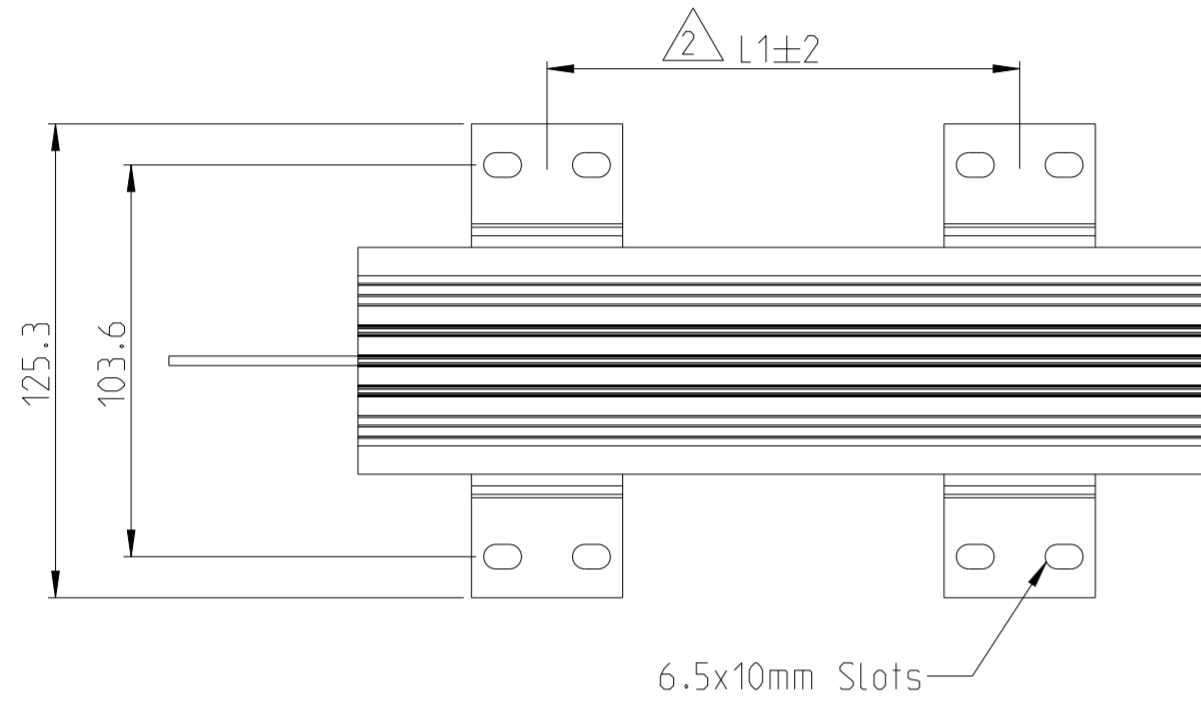
FOR FURTHER INFORMATION SEE DATA SHEET FOR ALUMINIUM HOUSED RESISTORS TYPE CJB SERIES

NOTE:

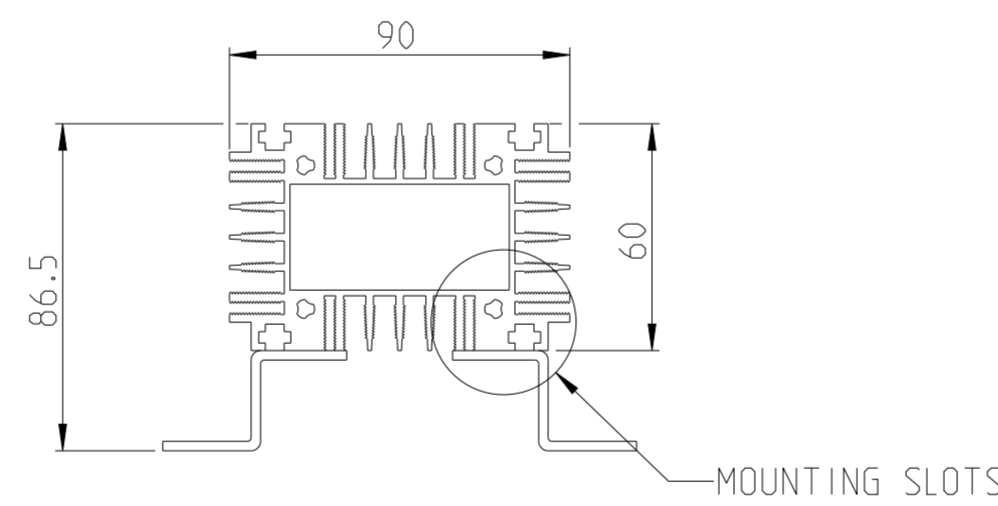
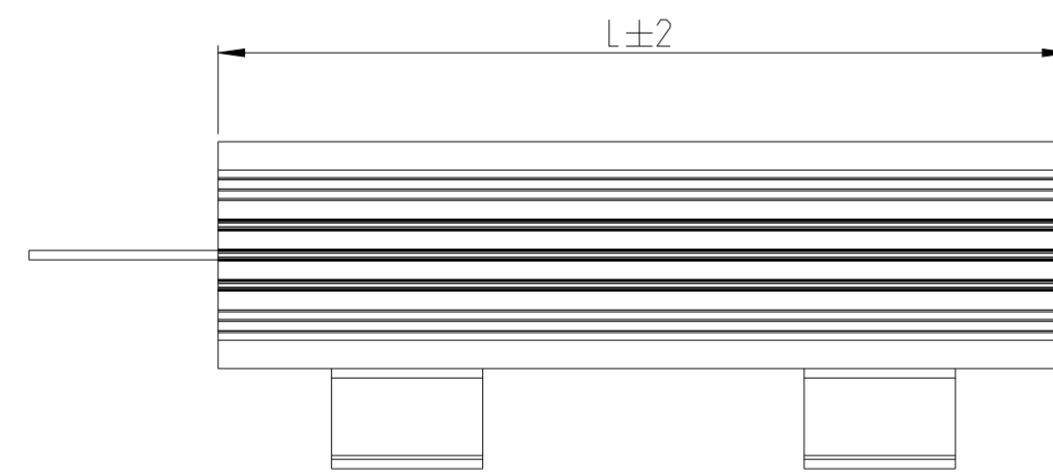
1 4X MOUNTING FEET, M5 SCREWS AND WASHERS ARE SUPPLIED IN A KIT FORM

THIS DIMENSION CAN BE ADJUSTED, SINCE THREADING IS AVAILABLE ALONG THE LENGTH OF THE RESISTOR

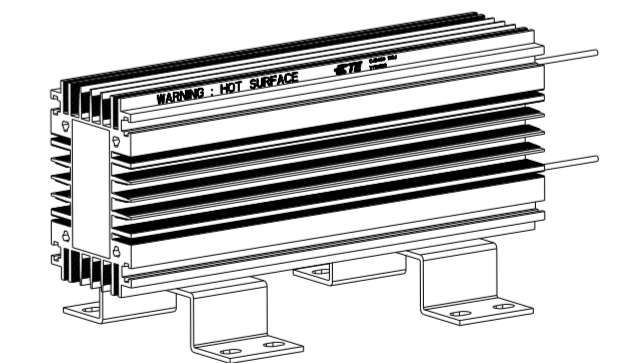
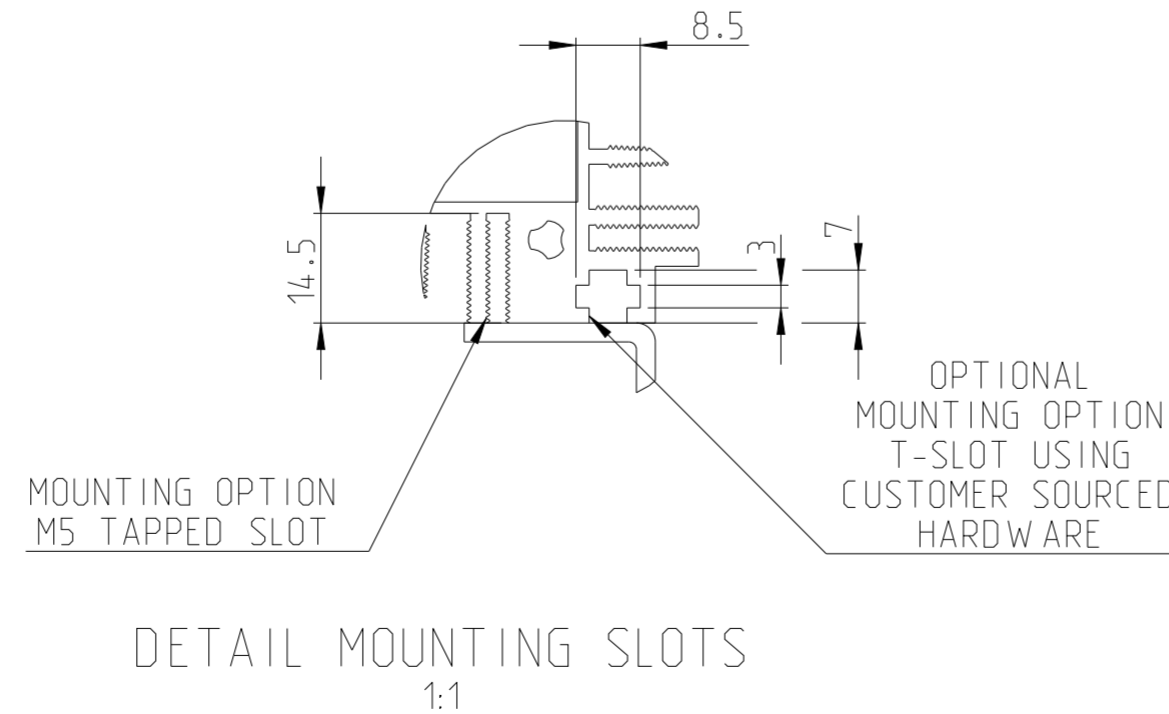
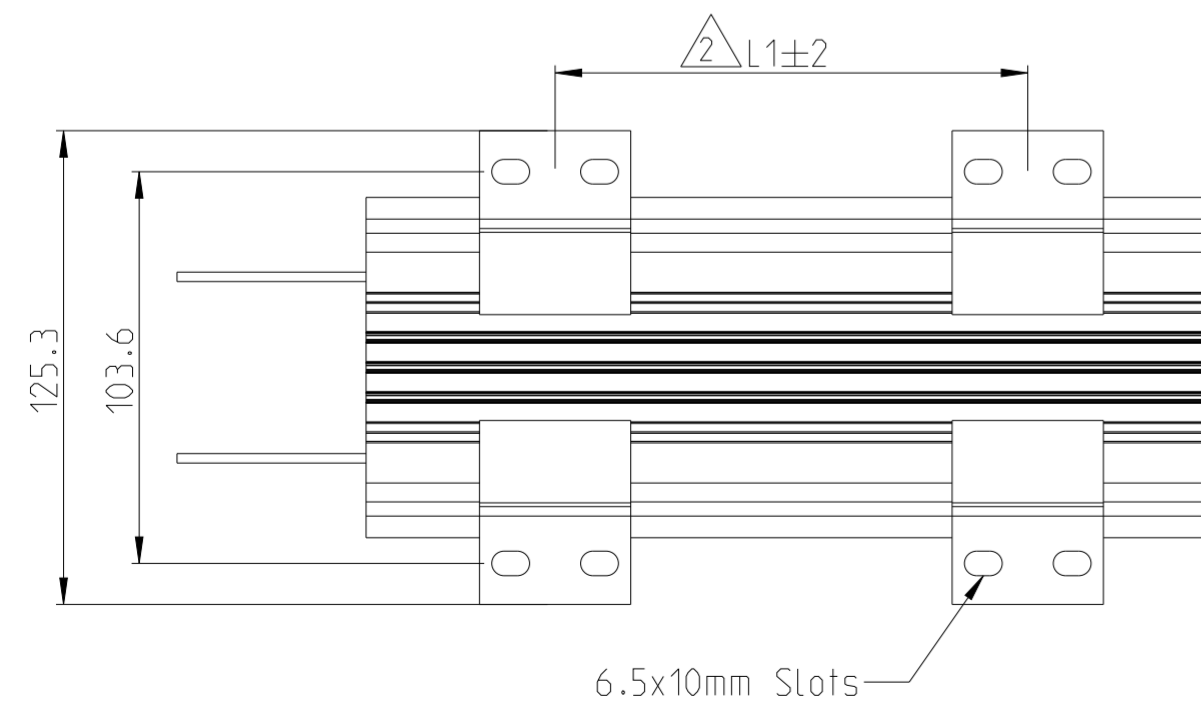
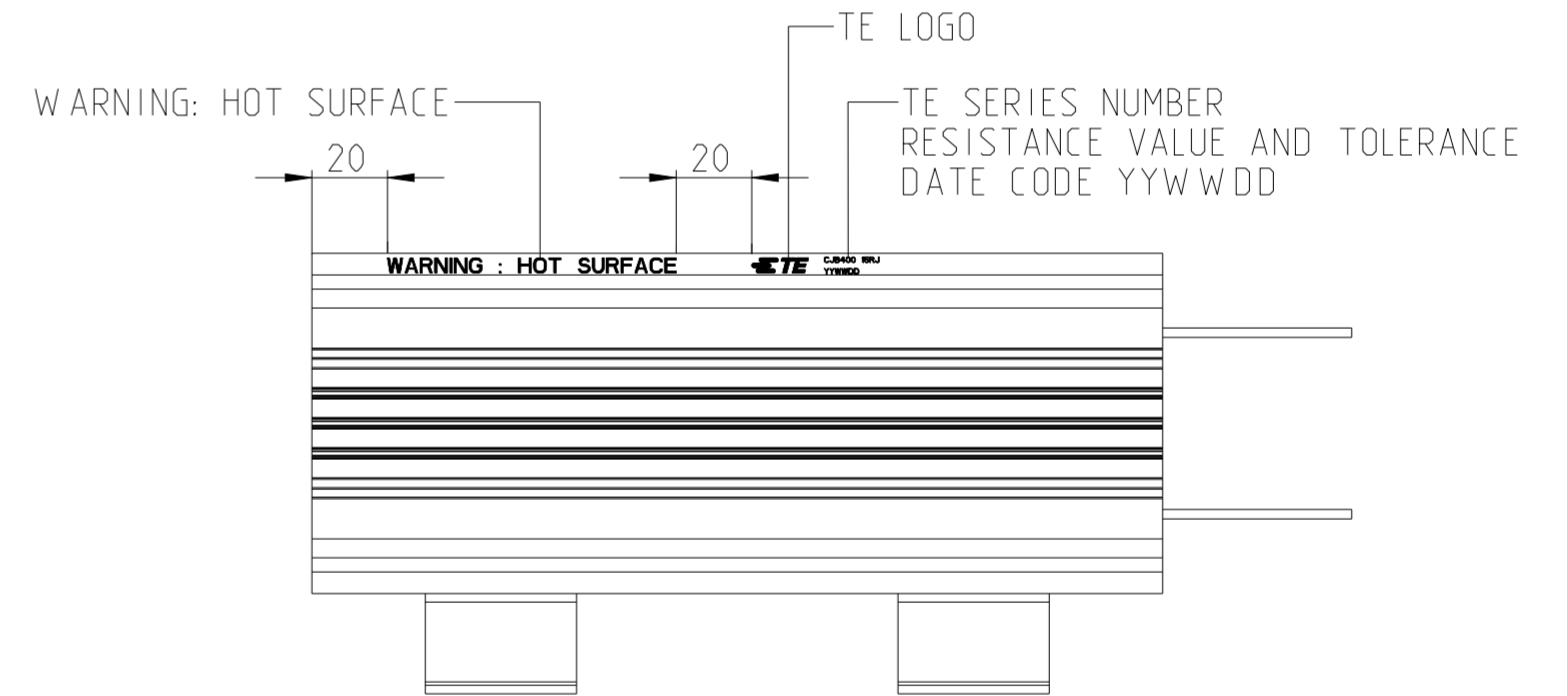
TYPE	POWER RATING (W)	L (mm)	L1 (mm)
CJB400	400	225	125



HORIZONTAL MOUNTING



VERTICAL MOUNTING

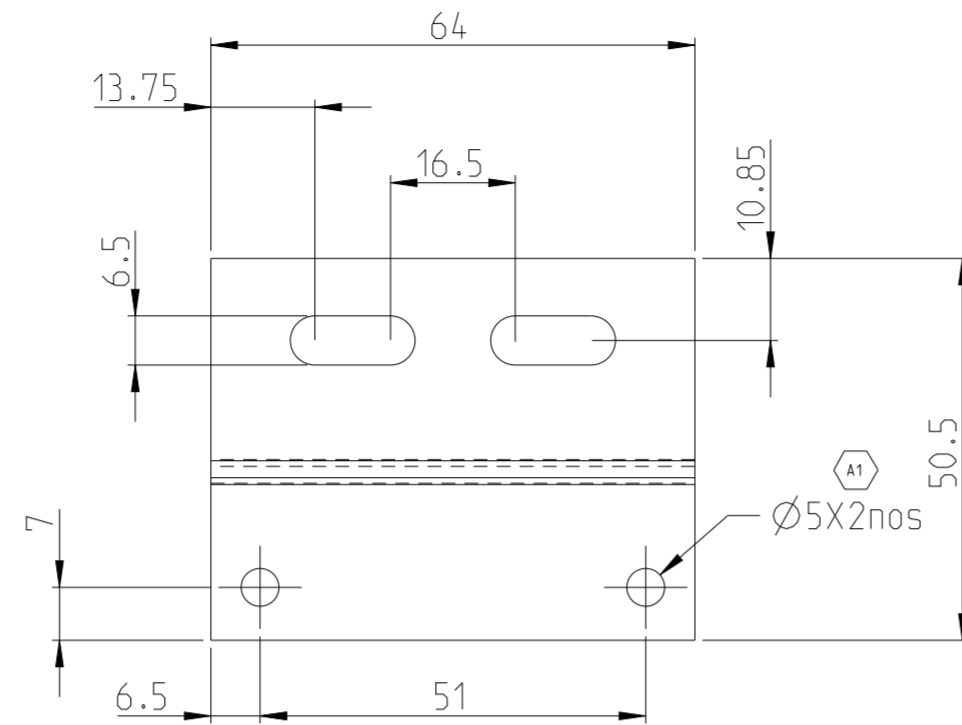
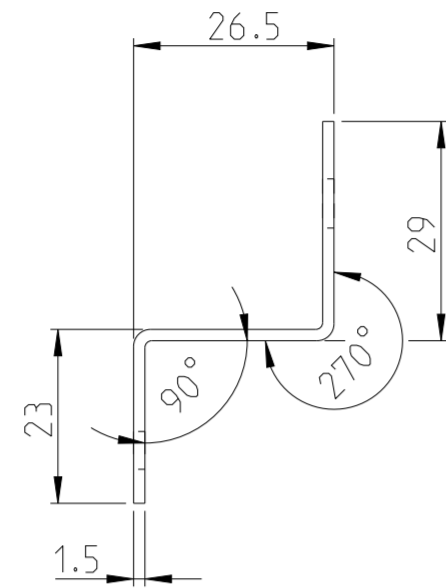


THIS DRAWING IS A CONTROLLED DOCUMENT.		DWN DHEERAJ M 22JUN2023		
		CHK TRACY G 22JUN2023		
DIMENSIONS: mm		APVD ALLAN P 22JUN2023	NAME ALUMINIUM HOUSED RESISTORS TYPE CJB400 SERIES	
TOLERANCES UNLESS OTHERWISE SPECIFIED:		PRODUCT SPEC	SIZE A2	
0 PLC ±		APPLICATION SPEC	CAGE CODE 00779	
1 PLC ±			DRAWING NO C-2176622	
2 PLC ±			RESTRICTED TO	
3 PLC ±			SCALE 1:2	
4 PLC ±			SHEET 1 OF 2	
ANGLES ±		WEIGHT -	REV A1	
FINISH -		CUSTOMER DRAWING		

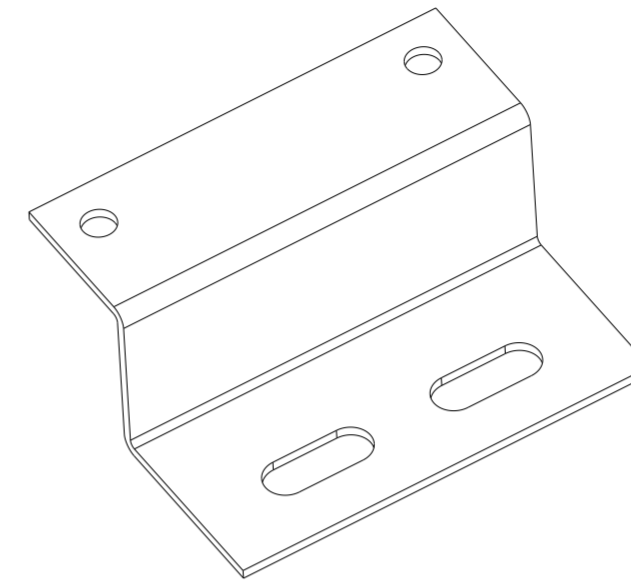
REVISIONS

P	LTR	DESCRIPTION	DATE	DWN	APVD
-	-	SEE SHEET 1	-	-	-

MOUNTING FEET



1:1



TCPN	Catalogue Number	Part Description	Part Status
2176622-1	CJB400J4R7J	CJB 400W 5% 4R7 Lead	Production
2176622-2	CJB400J6R8J	CJB 400W 5% 6R8 Lead	Production
2176622-3	CJB400J10RJ	CJB 400W 5% 10R Lead	Production
2176622-4	CJB400J15RJ	CJB 400W 5% 15R Lead	Production
2176622-5	CJB400J22RJ	CJB 400W 5% 22R Lead	Production
2176622-6	CJB400J33RJ	CJB 400W 5% 33R Lead	Production
2176622-7	CJB400J47RJ	CJB 400W 5% 47R Lead	Production
2176622-8	CJB400J68RJ	CJB 400W 5% 68R Lead	Production
2176622-9	CJB400J100RJ	CJB 400W 5% 100R Lead	Production

THIS DRAWING IS A CONTROLLED DOCUMENT.		DWN DHEERAJ M 22 JUN 2023	TE Connectivity	
		CHK TRACY G 22 JUN 2023		
DIMENSIONS: mm		APVD ALLAN P 22 JUN 2023	NAME ALUMINIUM HOUSED RESISTORS TYPE CJB400 SERIES	
TOLERANCES UNLESS OTHERWISE SPECIFIED: 0 PLC ± 1 PLC ± 2 PLC ± 3 PLC ± 4 PLC ± ANGLES ± FINISH		PRODUCT SPEC -	RESTRICTED TO -	
MATERIAL -		APPLICATION SPEC -	SIZE A2	CAGE CODE 00779
		WEIGHT -	DRAWING NO C-2176622	SCALE 1:2
		CUSTOMER DRAWING	SHEET 2 OF 2	REV A1

Mouser Electronics

Authorized Distributor

Click to View Pricing, Inventory, Delivery & Lifecycle Information:

[TE Connectivity:](#)

[2176622-8](#) [2176622-9](#)