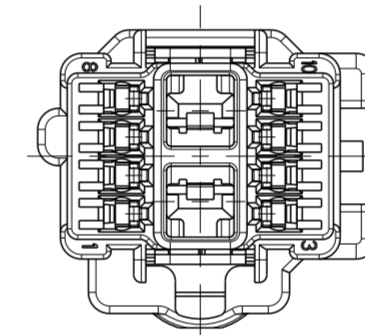
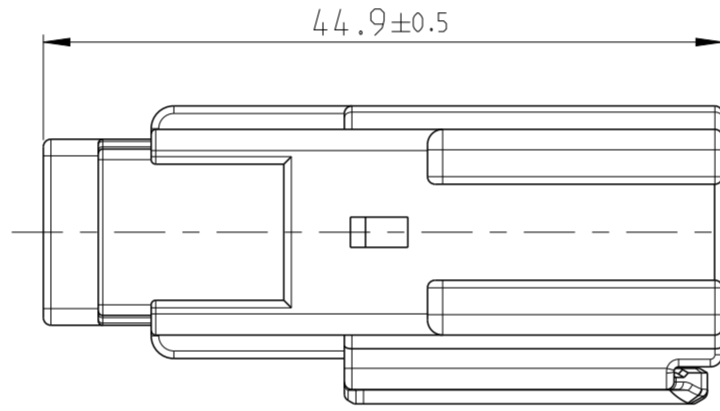
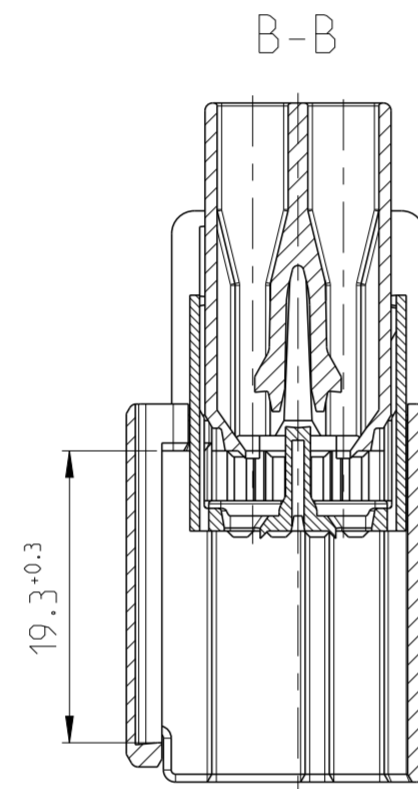
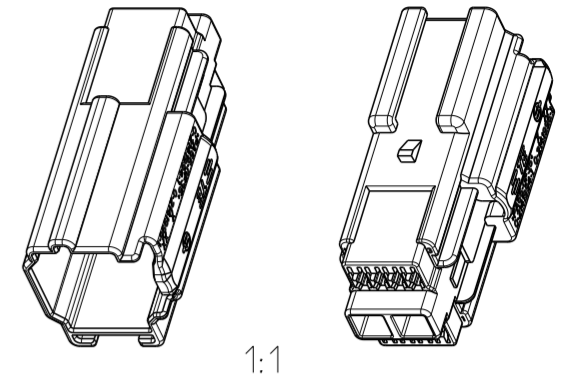
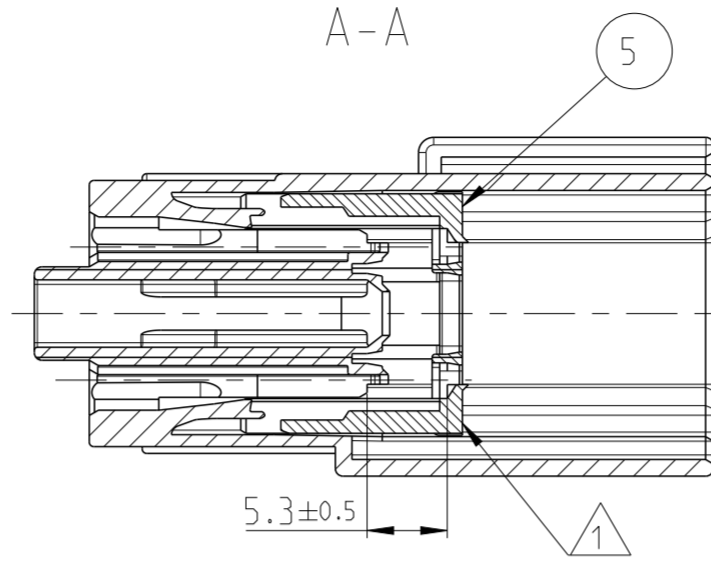
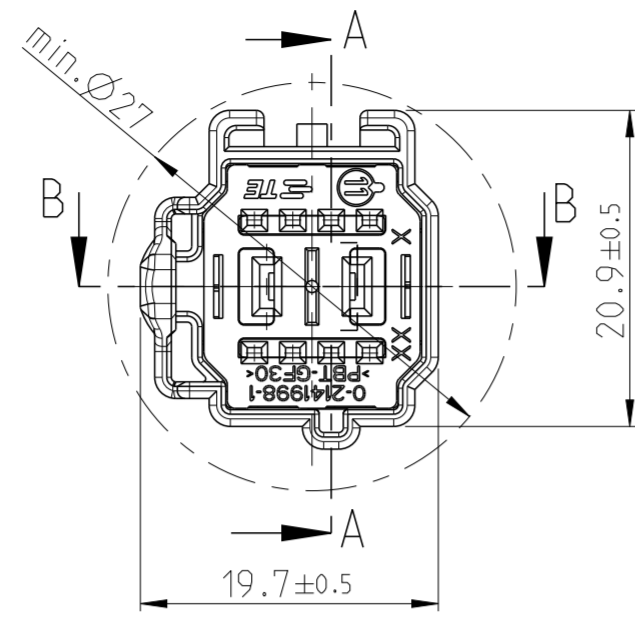


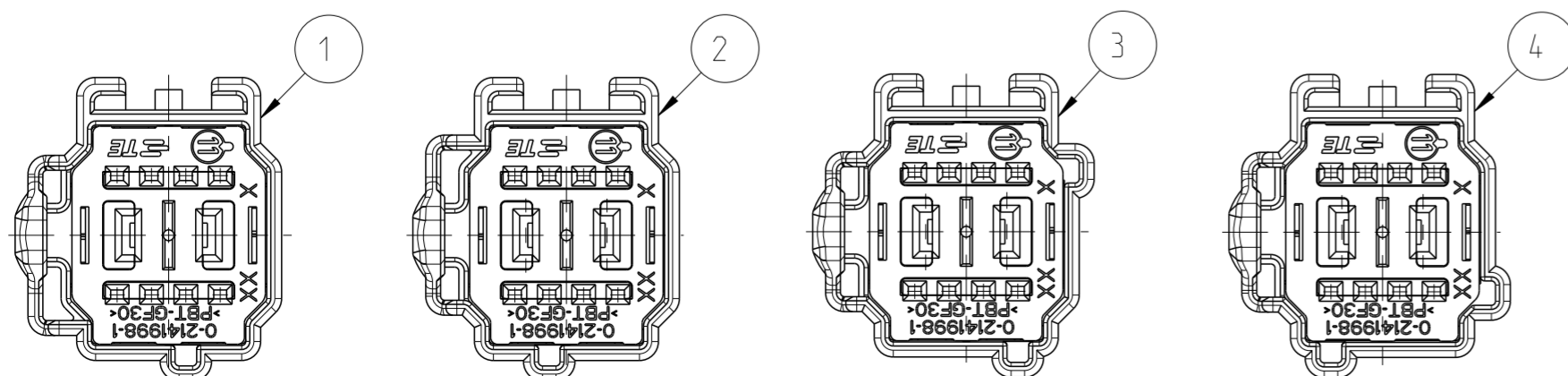
THIS DRAWING IS UNPUBLISHED. RELEASED FOR PUBLICATION 2011
 © COPYRIGHT 2011 ALL RIGHTS RESERVED.

LOC	DIST	REVISIONS			
P	LTR	DESCRIPTION	DATE	DWN	APVD
A1	-	B1	ECR-12-020517	28NOV2012	GP GM



APPLICABLE TERMINALS		NEUTRAL	FORD	
0.64 GENERATION Y UNSEALED MALE TERMINAL (0.13mm ²)	TIN	0-1924968-5	0-1924275-5	9U5T-14421-ZA
0.64 GENERATION Y UNSEALED MALE TERMINAL (0.35mm ² -0.50mm ²)	TIN	0-1924968-1	0-1924275-1	9U5T-14421-BA
0.64 GENERATION Y UNSEALED MALE TERMINAL (0.75mm ²)	TIN	0-1924968-2	0-1924275-2	9U5T-14421-CA
2.8 UNSEALED MALE TERMINAL	TIN	FCI PART	FCI PART	8U5T-14421-BA
2.8 UNSEALED MALE TERMINAL	TIN	FCI PART	FCI PART	8U5T-14421-CA
2.8 UNSEALED MALE TERMINAL	TIN	FCI PART	FCI PART	8U5T-14421-DA
2.8 UNSEALED MALE TERMINAL	TIN	FCI PART	FCI PART	8U5T-14421-EA
DESCRIPTION	PLATING COLOUR	TE CONNECTIVITY COMP. PART NO:	TE CONNECTIVITY COMP. PART NO:	FORD COMP. PART NO:

0-2141994-1 CODING A / BLACK 0-2141995-1 CODING B / GREY 0-2177614-1 CODING C / BLUE 0-2177615-1 CODING D / GREEN



NOTES:
 Bemerkungen:
 1 DELIVERY CONDITION: SPACER IN PRE-LOCK POSITION
 Auslieferungszustand: Spacer in Vorraststellung

QTY REQD PER ASSY	PARTS LIST						
1x	1x	1x	1x	0-2141998-1	10POS SPACER	RED SIMILAR RAL3000	5
1x	-	-	-	0-2177617-1	10POS HYBRID TAB HOUSING CODING D	GREEN SIMILAR RAL6018	4
-	1x	-	-	0-2177616-1	10POS HYBRID TAB HOUSING CODING C	BLUE SIMILAR RAL5012	3
-	-	1x	-	0-2141997-1	10POS HYBRID TAB HOUSING CODING B	GREY SIMILAR RAL7037	2
-	-	-	1x	0-2141996-1	10POS HYBRID TAB HOUSING CODING A	BLACK SIMILAR RAL9011	1
0-2177615-1	0-2177614-1	0-2141995-1	0-2141994-1	PART NO	DESCRIPTION	COLOUR	ITEM NO
-	-	-	-	REVISION OF EACH ASSY NO (WHEN BLANK, USE DWG REVISION)			

-1 AS SHOWN wie gezeichnet

THIS DRAWING IS A CONTROLLED DOCUMENT.

DIMENSIONS: mm	TOLERANCES UNLESS OTHERWISE SPECIFIED:	DWN G.PUCKEL 18APR2011	 TE Connectivity
MATERIAL	FINISH	CHK K.ROTH 18APR2011	
		APVD G.MUMPER 19APR2011	
DIMENSIONS: mm 0 PLC ±0.30 1 PLC ±0.30 2 PLC ±0.30 3 PLC ± 4 PLC ± ANGLES ±2°		PRODUCT SPEC APPLICATION SPEC WEIGHT CUSTOMER DRAWING	NAME 10POS. HYBRID TAB HOUSING ASSEMBLY 8 x GENERATION Y AND 2 x APEX2.8
		SIZE A2 CAGE CODE 00779 DRAWING NO C-2141994 SCALE 2:1 SHEET 1 of 1 REV B1	RESTRICTED TO -

Mouser Electronics

Authorized Distributor

Click to View Pricing, Inventory, Delivery & Lifecycle Information:

[TE Connectivity:](#)

[2141994-1](#)