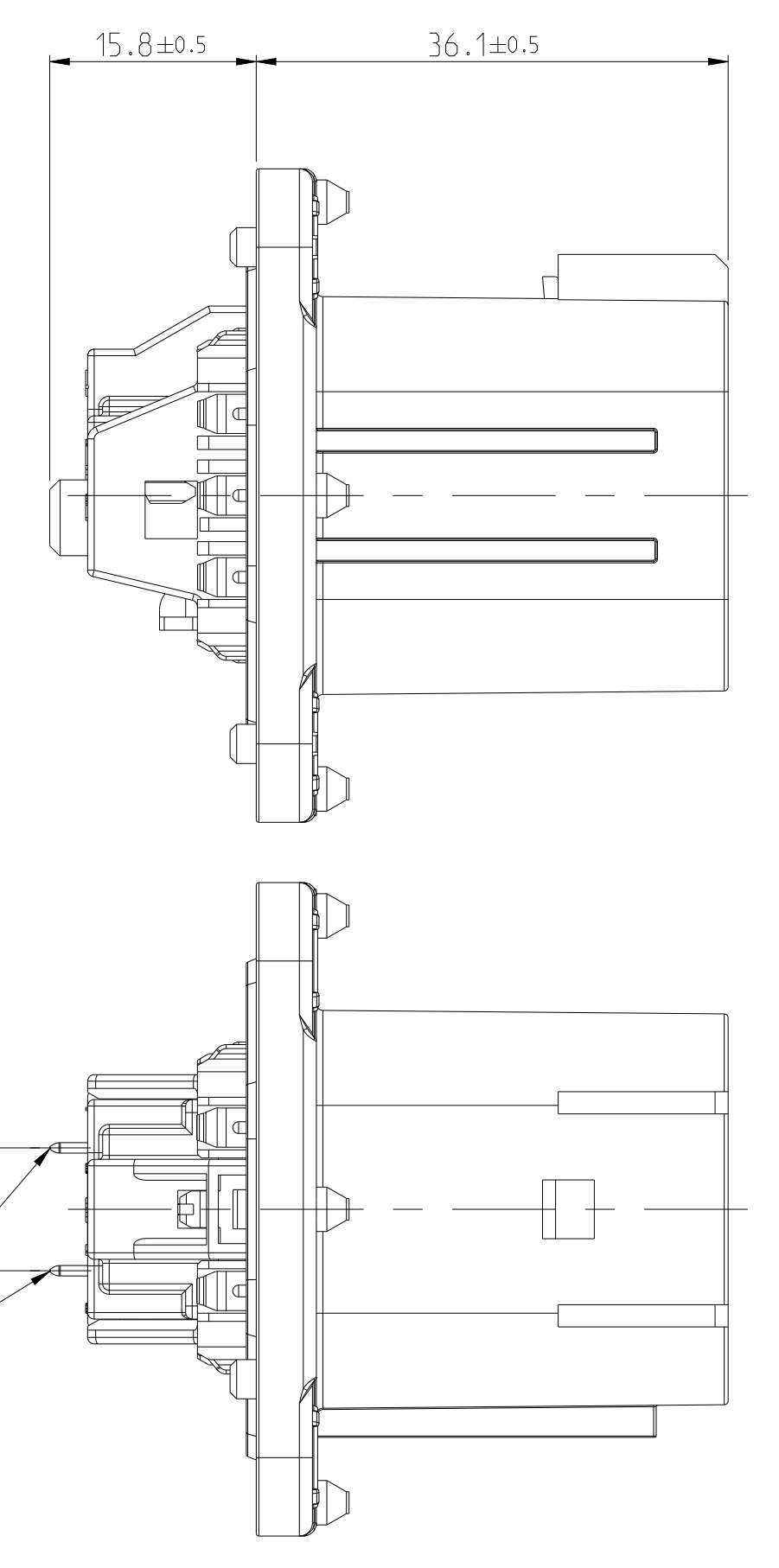
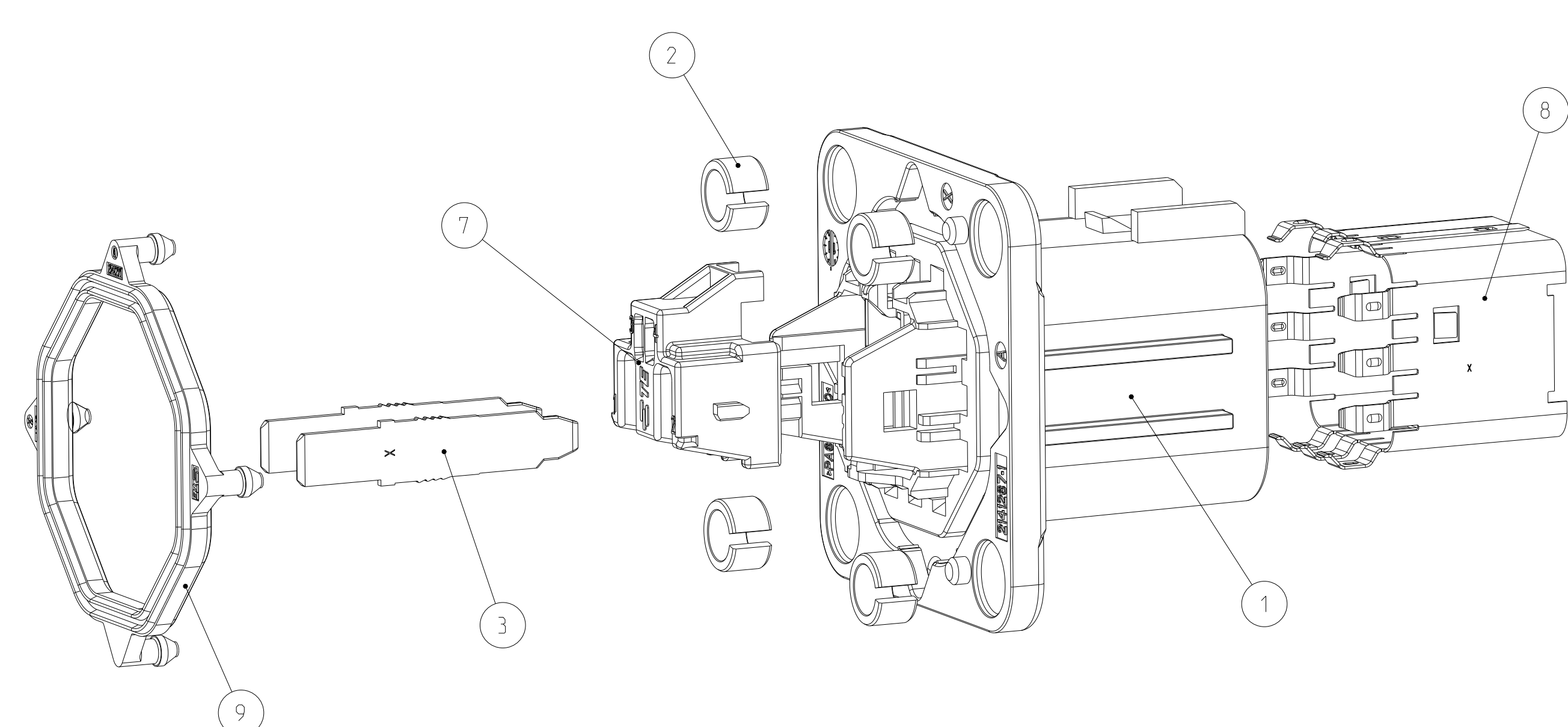
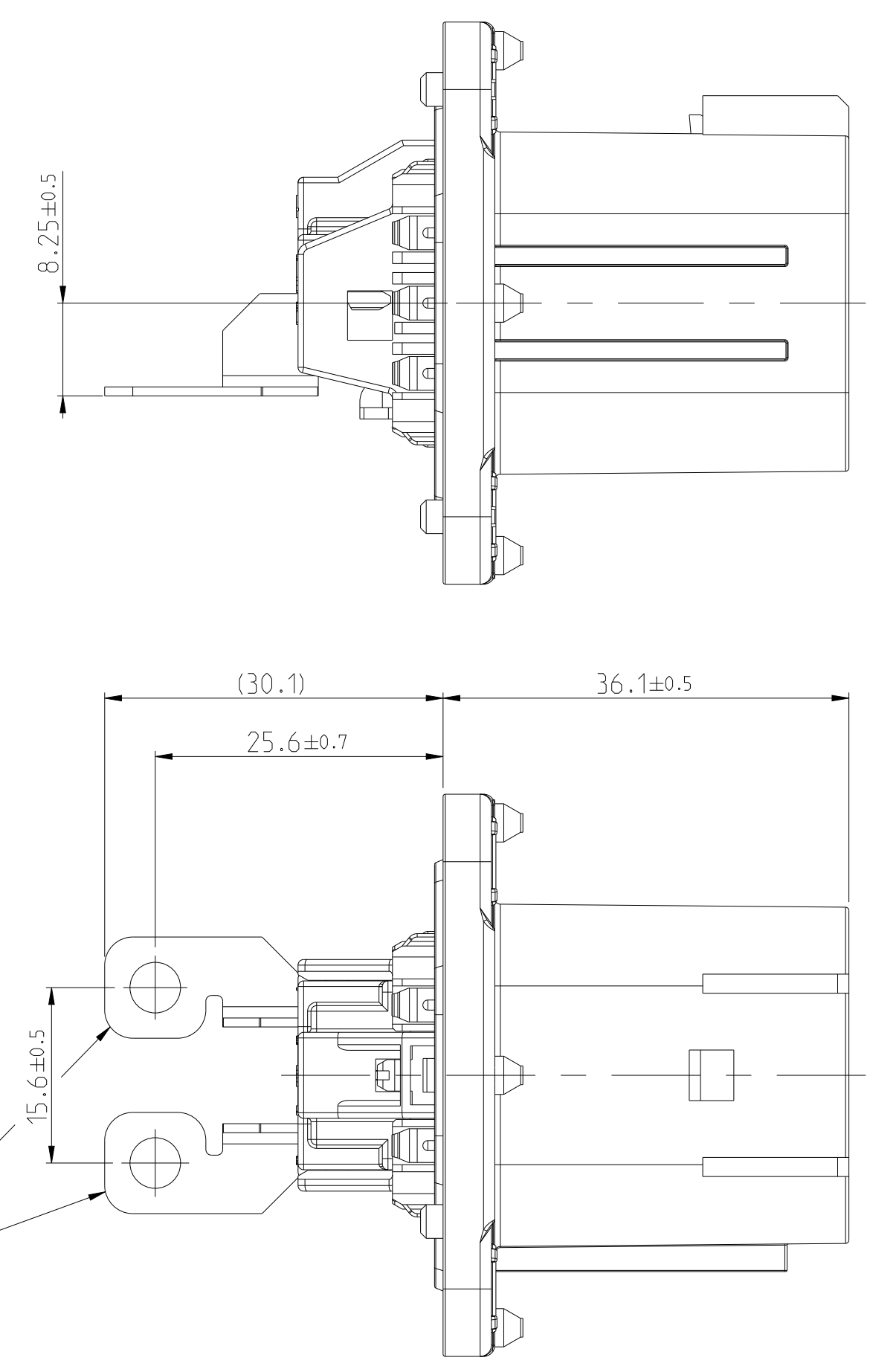
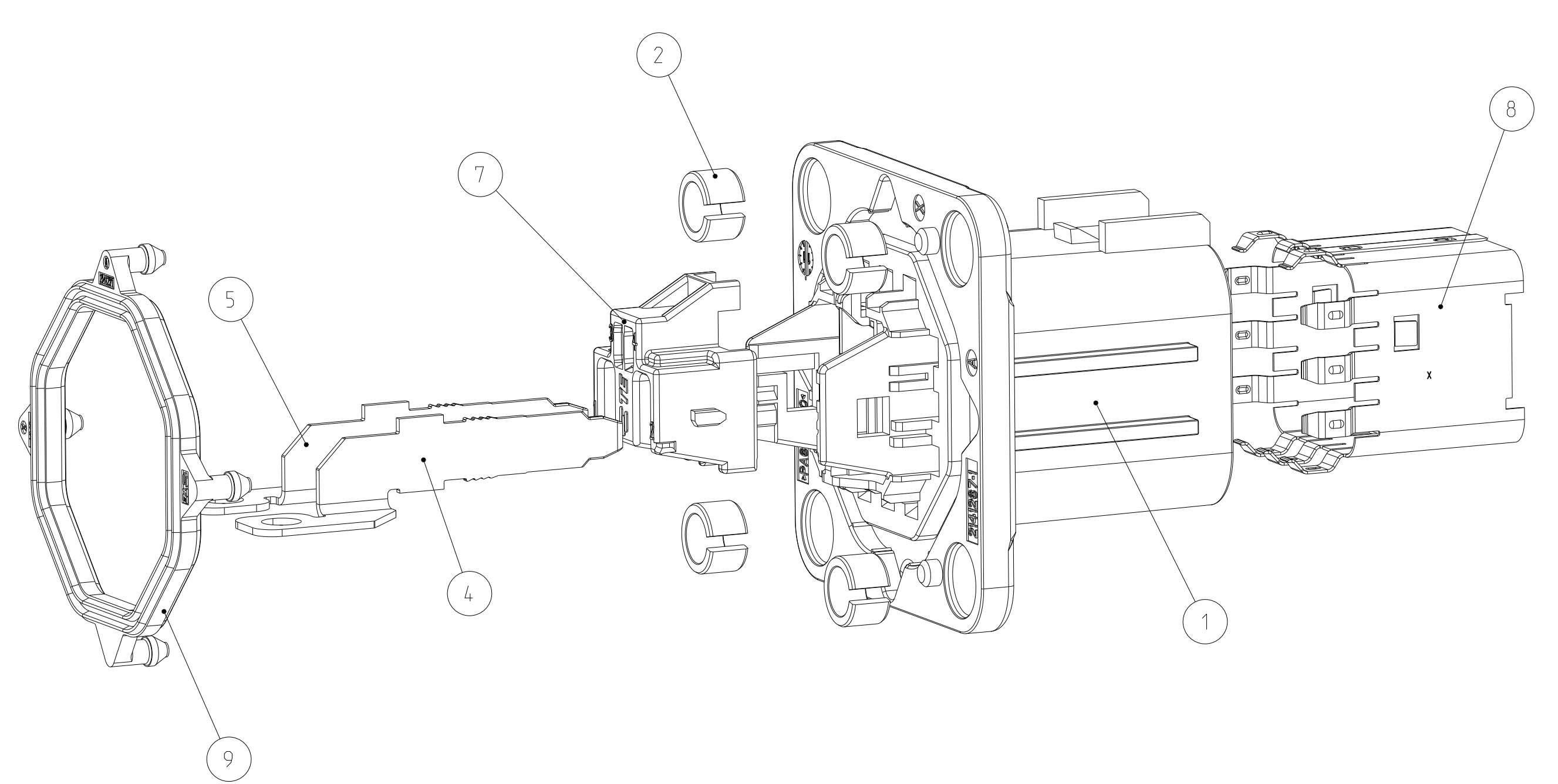


VARIANT 0- -X
Variante

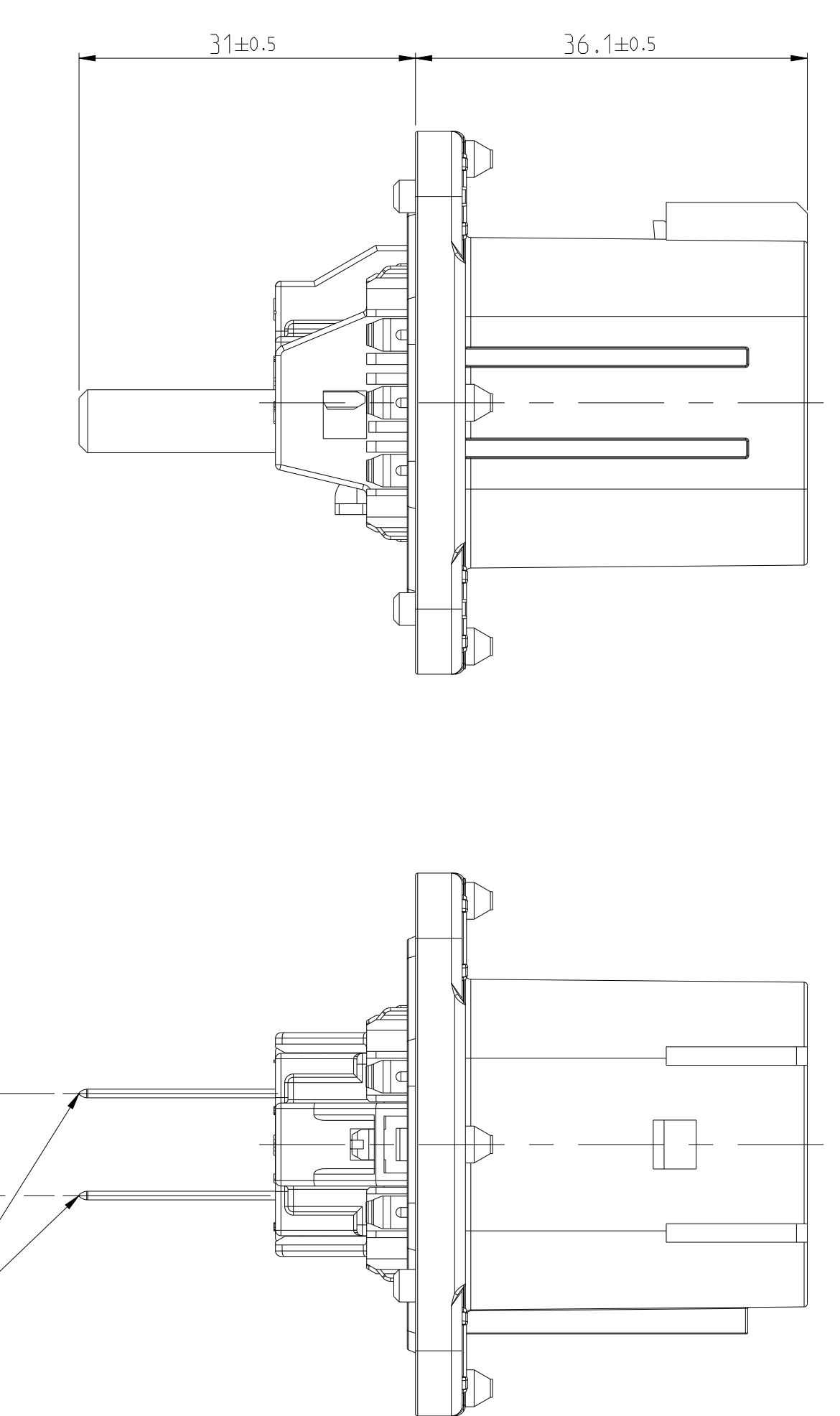
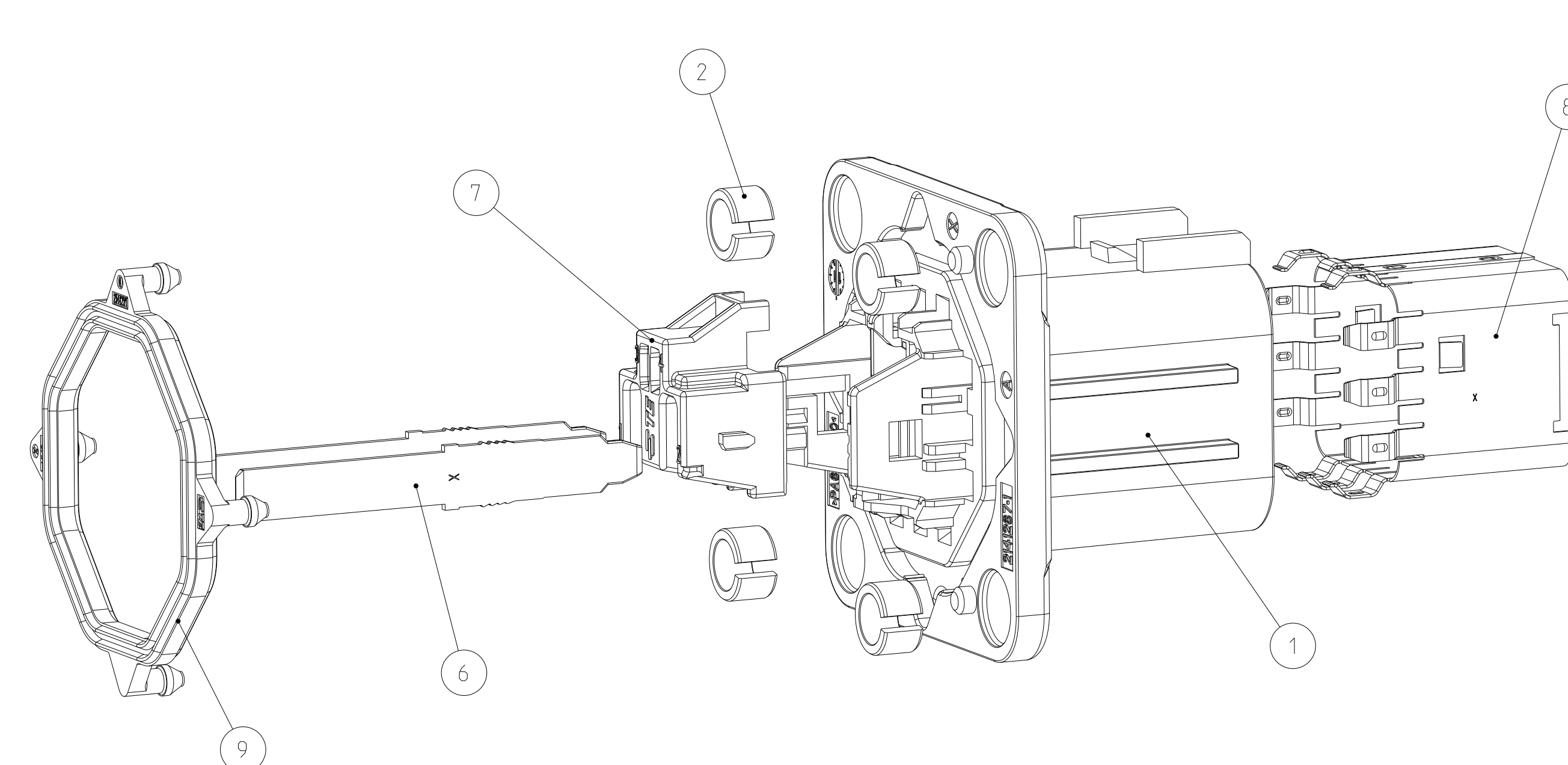


MATCHING FEMALE CONTACT: PCB 6.3 TERMINAL, PN 1719102-1
Passender Gegenkontakt:

VARIANT 1- -X
Variante

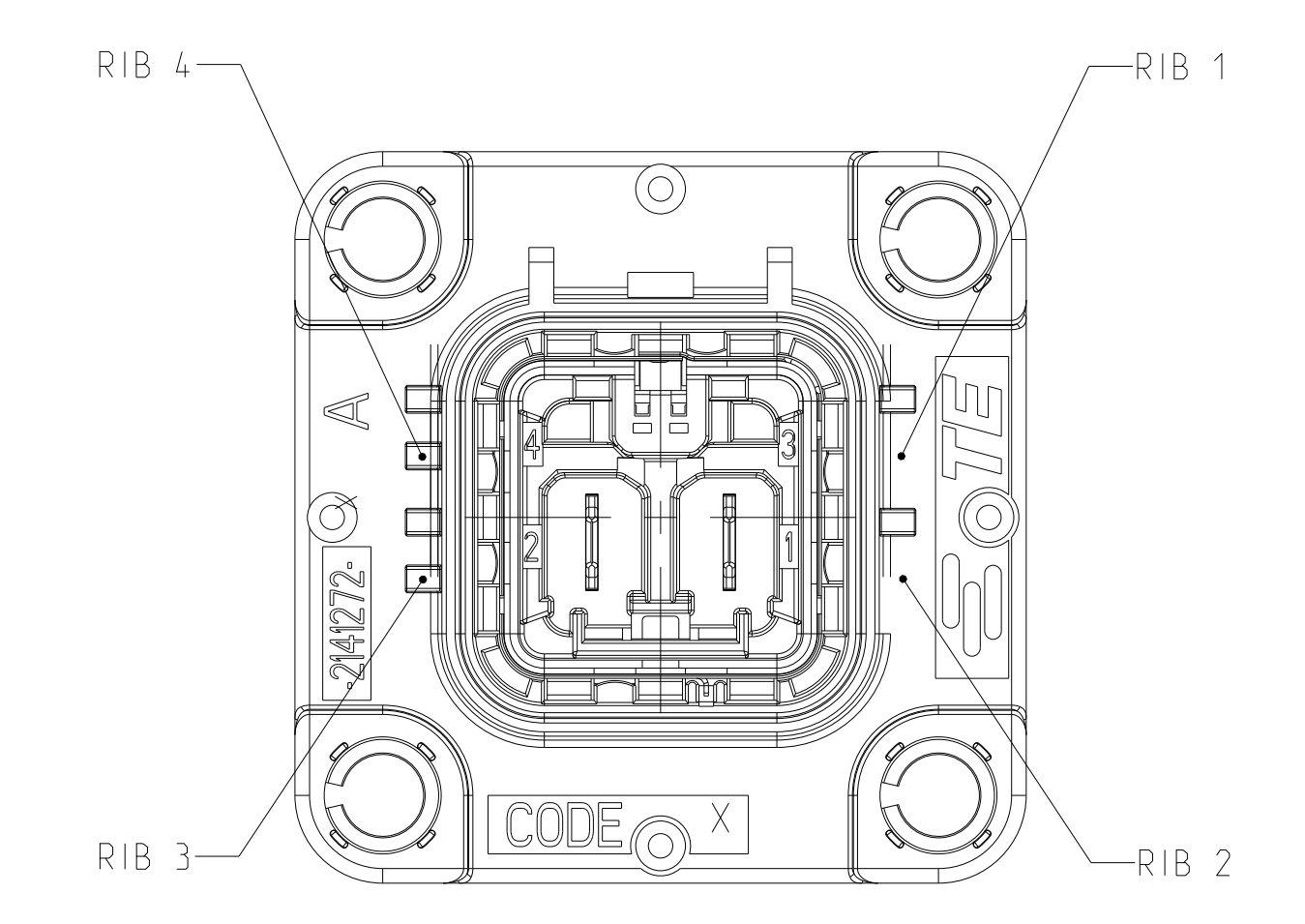


VARIANT 2- -X
Variante

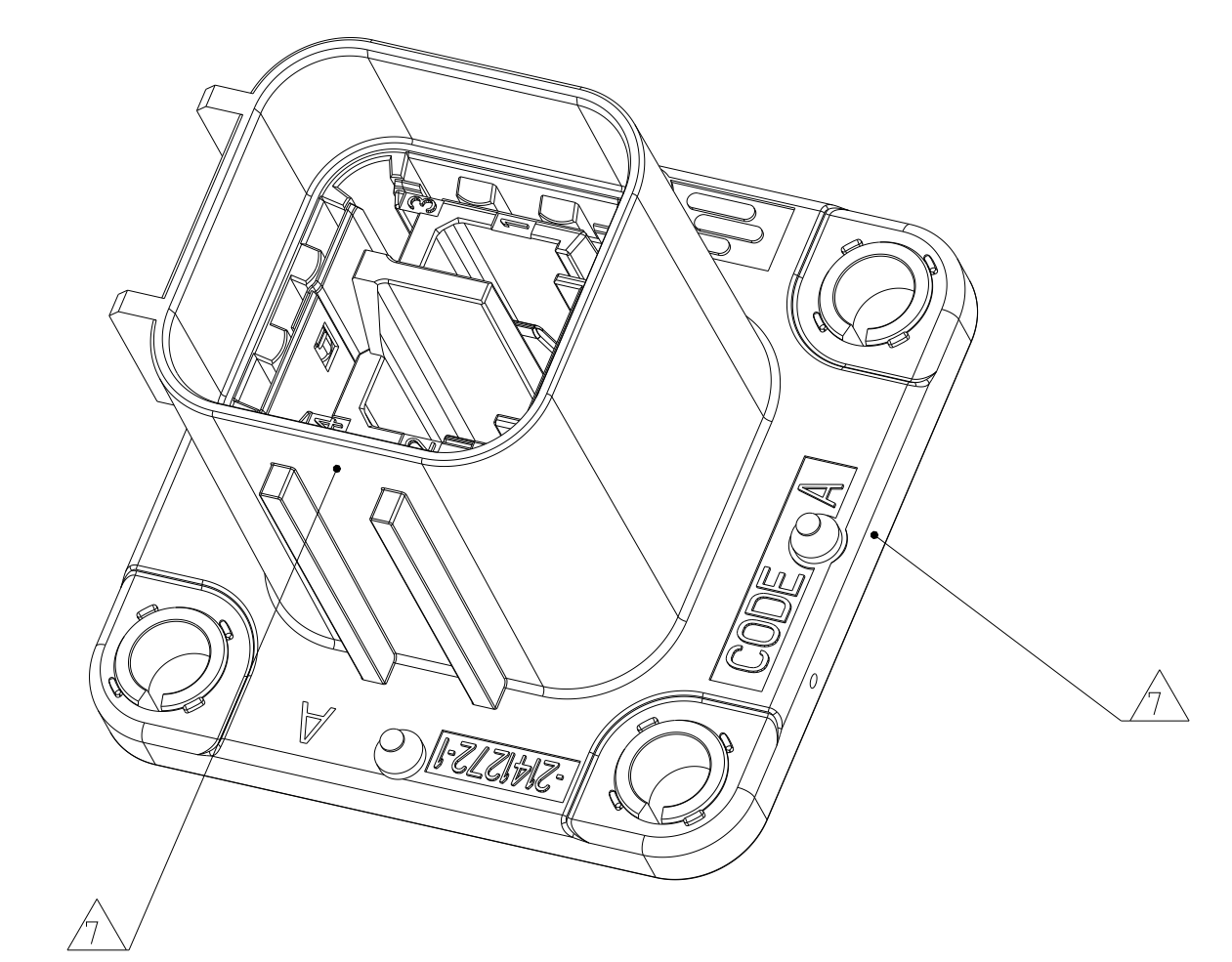


MATCHING FEMALE CONTACT: PCB 6.3 TERMINAL, PN 1719102-1
Passender Gegenkontakt:

CODINGS



CODING	RIB 1	RIB 2	RIB 3	RIB 4
A	-	-	X	X
B	-	X	X	-
E	X	-	X	-
F	-	X	-	X
F	X	X	-	-



- THE GERMAN TEXT IS BINDING
Der deutsche Text ist verbindlich
 - PACKING: TRAY
Verpackung: Tray
 - SUITABLE INTERLOCK-CONTACTS: 1418760-3; 5-1418758-3; 2141864-3
Passende Interlock-Kontakte: 1418760-3; 5-1418758-3; 2141864-3
 - SUBJECT TO TECHNICAL CHANGES
TE DOESN'T COMPENSATE FOR FOLLOW-UP-COSTS DUE TO TECHNICAL CHANGES
Technische Änderungen vorbehalten
TE kommt nicht fuer Folgekosten durch Aenderungen auf
 - UNVERIFIED TAB GEOMETRY, APPLICATION AND VERIFICATION
IN CUSTOMERS RESPONSIBILITY
Unverifizierte Tabanschlussgeometrie, Anwendung und Verifikation
im Verantwortungsbereich des Kunden
 - CODINGS SEE INTERFACE DRAWINGS
114-94036 AND 114-94037
Kodierungen siehe Schnittstellenzeichnungen
114-94036 und 114-94037
- ALLOWED AREA FOR MARKING OF GOOD PIECES
Zulaessiger Bereich fuer Gutteilmarkierung

SPECIFICATIONS
Spezifikationen

DESCRIPTION	REF. NO.
MATING CONNECTOR: 2POS. HV. REC HSG. ASSY Gegenstecker: 2pol. HV. Steckergehäuse. Zusammenbau	114-94100-1
INTERFACE DRAWING 2POS. HV 90/180Deg Schnittstellenzeichnung 2pol. HV 90/180Grad	114-94036
INTERFACE DRAWING, ADAPTER PLATE, 2POS HV 90/180Deg-CATEGORY 1 Ausführungsvorschrift, Aufnahmeplatte, 2pol HV 90/180Grad-Kategorie 1	114-94037
PRODUCT-SPEC. Produktspezifikation	108-94264
APPLICATION-SPEC. Verarbeitungspezifikation	114-94100

COD.	DESCRIPTION - ASSY	WEIGHT (g)	TE ORDER-NO.	REV	QTY	DESCRIPTION - PART	MATERIAL	SURFACE	ITEM
A	2 POS 90DEG TAB HEADER ASSY HV CONNECTOR	50	4-2141272-1	A	1	TAB 6.3/5.8x0.8mm (L-SHAPE TERMINAL)	CuSn	Ni/Ag	10
					1	AXIAL SEAL	SILICONE	BROWN	9
					1	EMC SHIELD	CuNiSi	Ni/Ag	8
					1	SECONDARY LOCK	PA66GF30	BLACK	7
					4	COMPRESSION DELIMITER	STEEL	ZnNi	2
					1	2POS. MIXED. HEADER HSG 180 DEG	PA66GF30	ORANGE	1
F	2 POS 180DEG TAB HEADER ASSY HV CONNECTOR	43	2-2141272-6	B	1	AXIAL SEAL	SILICONE	BROWN	9
					1	EMC SHIELD	CuNiSi	Ni/Ag	8
					1	SECONDARY LOCK	PA66GF30	BLACK	7
					2	TAB 6.3/5.8x0.8mm	CuSn	Ni/Ag	6
					4	COMPRESSION DELIMITER	STEEL	ZnNi	2
					1	2POS. MIXED. HEADER HSG 180 DEG	PA66GF30	ORANGE	1
A	2 POS 180DEG TAB HEADER ASSY HV CONNECTOR	43	2-2141272-1	B	1	AXIAL SEAL	SILICONE	BLACK	9
					1	EMC SHIELD	CuNiSi	Ni/Ag	8
					1	SECONDARY LOCK	PA66GF30	BLACK	7
					2	TAB 6.3/5.8x0.8mm	CuSn	Ni/Ag	6
					4	COMPRESSION DELIMITER	STEEL	ZnNi	2
					1	2POS. MIXED. HEADER HSG 180 DEG	PA66GF30	ORANGE	1
F	2 POS 180DEG TAB HEADER ASSY HV CONNECTOR	44	1-2141272-6	B	1	AXIAL SEAL	SILICONE	BROWN	9
					1	EMC SHIELD	CuNiSi	Ni/Ag	8
					1	SECONDARY LOCK	PA66GF30	BLACK	7
					1	TAB 6.3x0.8. RIGHT BENDED TERMINAL	CuSn	Ni/Ag	5
					1	TAB 6.3x0.8. LEFT BENDED TERMINAL	CuSn	Ni/Ag	4
					4	COMPRESSION DELIMITER	STEEL	ZnNi	2
					1	2POS. MIXED. HEADER HSG 180 DEG	PA66GF30	ORANGE	1
A	2 POS 180DEG TAB HEADER ASSY HV CONNECTOR	44	1-2141272-1	B	1	AXIAL SEAL	SILICONE	BLACK	9
					1	EMC SHIELD	CuNiSi	Ni/Ag	8
					1	SECONDARY LOCK	PA66GF30	BLACK	7
					1	TAB 6.3x0.8. RIGHT BENDED TERMINAL	CuSn	Ni/Ag	5
					1	TAB 6.3x0.8. LEFT BENDED TERMINAL	CuSn	Ni/Ag	4
					4	COMPRESSION DELIMITER	STEEL	ZnNi	2
					1	2POS. MIXED. HEADER HSG 180 DEG	PA66GF30	ORANGE	1
F	2 POS 180DEG TAB HEADER ASSY HV CONNECTOR	41	2141272-6	B	1	AXIAL SEAL	SILICONE	BROWN	9
					1	EMC SHIELD	CuNiSi	Ni/Ag	8
					1	SECONDARY LOCK	PA66GF30	BLACK	7
					2	TAB 6.3/5.8x0.8mm	CuSn	Ni/Ag	3
					4	COMPRESSION DELIMITER	STEEL	ZnNi	2
					1	2POS. MIXED. HEADER HSG 180 DEG	PA66GF30	ORANGE	1
A	2 POS 180DEG TAB HEADER ASSY HV CONNECTOR	41	2141272-1	B	1	AXIAL SEAL	SILICONE	BLACK	9
					1	EMC SHIELD	CuNiSi	Ni/Ag	8
					1	SECONDARY LOCK	PA66GF30	BLACK	7
					2	TAB 6.3/5.8x0.8mm	CuSn	Ni/Ag	3
					4	COMPRESSION DELIMITER	STEEL	ZnNi	2
					1	2POS. MIXED. HEADER HSG 180 DEG	PA66GF30	ORANGE	1

THIS DRAWING IS A CONTROLLED DOCUMENT. DATE: 08FEB2011
 DIMENSIONING AND TOLERANCING PER GPS ISO STANDARDS. CHN: Y. Shih, A. ZBAPR2011
 DIMENSIONS: MILLIMETERS. DATE: 01MAY2011
 FINISH: MILL. DATE: 01MAY2011

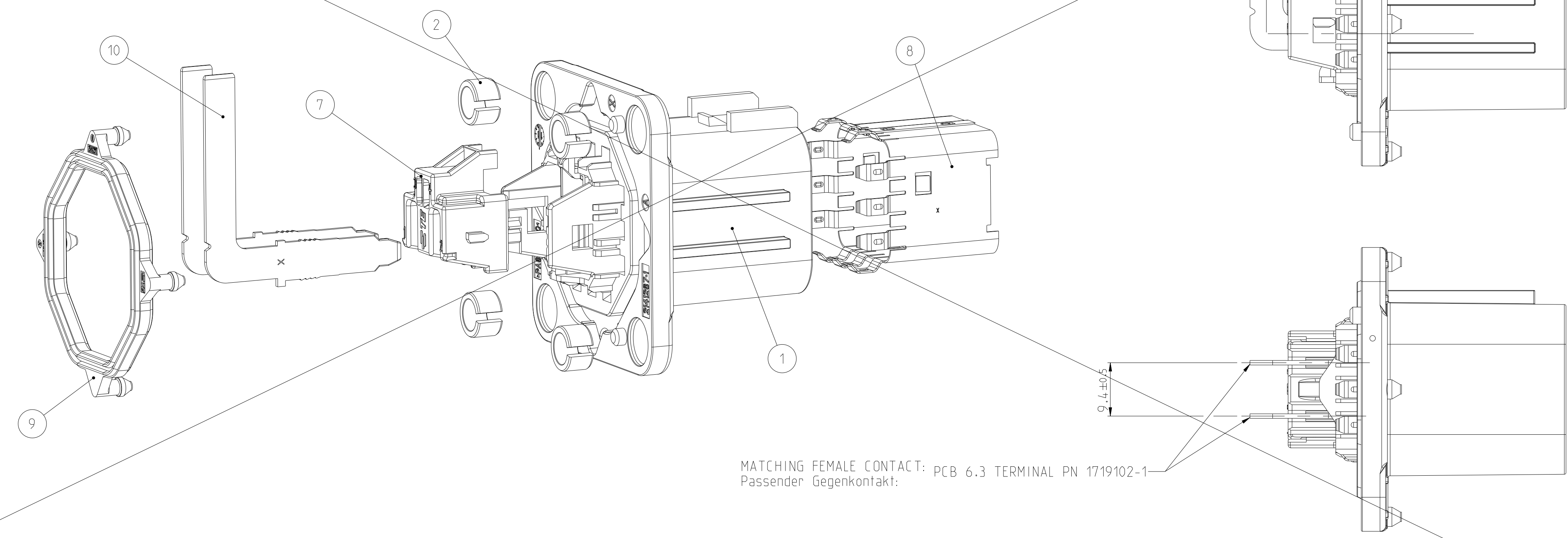
2 POS 180DEG TAB HEADER ASSY HV CONNECTOR

STE TE Connectivity

SIZE: A0 CASE CODE: 00779 DRAWING NO: 2141272 SHEET 1 OF 3

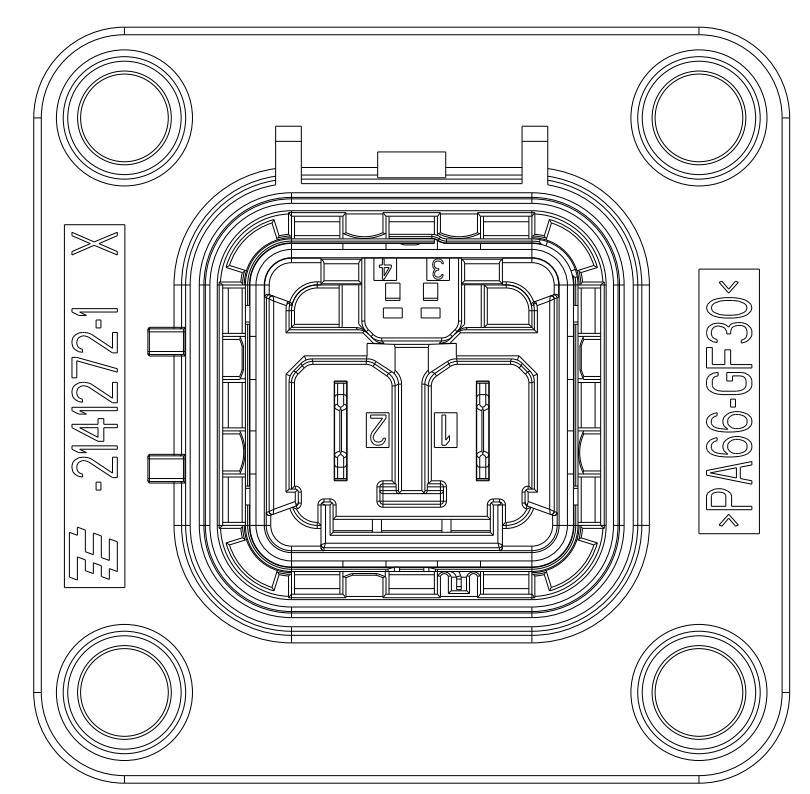
REVISIONS			
REV	DATE	DESCRIPTION	BY
1	-	SEE SHEET 1	-

VARIANT 4 - -X
 Variante

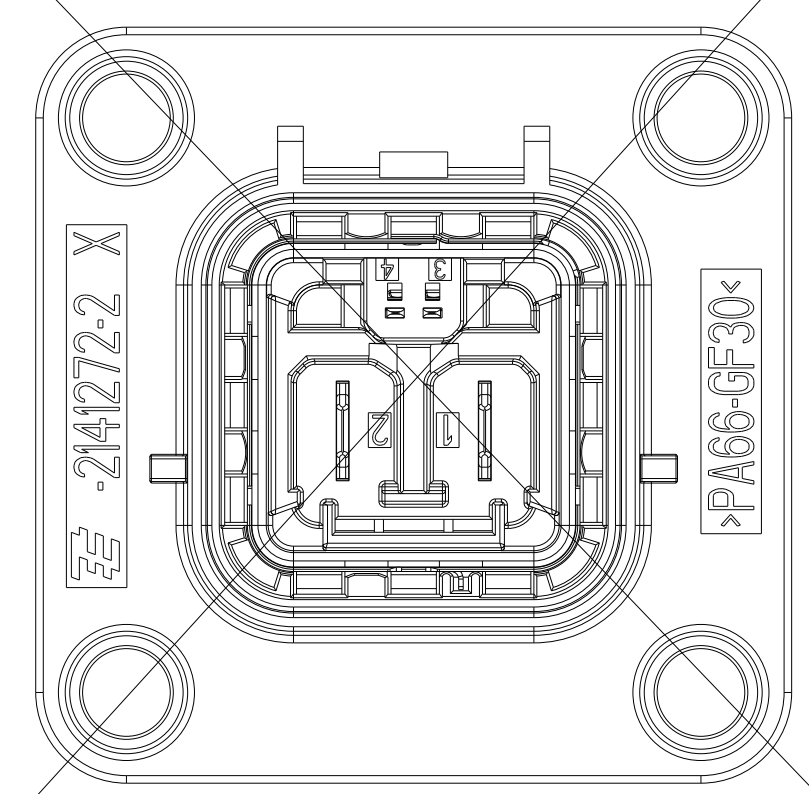


THIS DRAWING IS A CONTROLLED DOCUMENT. DIMENSIONING AND TOLERANCING PER GPS ISO STANDARDS.		DATE: 08FEB2011 DESIGNED BY: Vishwajit A. Chaudhari DRAWN BY: T. Reisinger	REV: 28APR2011 01MAY2011	TE Connectivity	
DIMENSIONS: 0 PFC, 1 PFC, 2 PFC, 3 PFC, 4 PFC, 5 PFC, 6 PFC, 7 PFC, 8 PFC, 9 PFC, 10 PFC, 11 PFC, 12 PFC, 13 PFC, 14 PFC, 15 PFC, 16 PFC, 17 PFC, 18 PFC, 19 PFC, 20 PFC, 21 PFC, 22 PFC, 23 PFC, 24 PFC, 25 PFC, 26 PFC, 27 PFC, 28 PFC, 29 PFC, 30 PFC, 31 PFC, 32 PFC, 33 PFC, 34 PFC, 35 PFC, 36 PFC, 37 PFC, 38 PFC, 39 PFC, 40 PFC, 41 PFC, 42 PFC, 43 PFC, 44 PFC, 45 PFC, 46 PFC, 47 PFC, 48 PFC, 49 PFC, 50 PFC, 51 PFC, 52 PFC, 53 PFC, 54 PFC, 55 PFC, 56 PFC, 57 PFC, 58 PFC, 59 PFC, 60 PFC, 61 PFC, 62 PFC, 63 PFC, 64 PFC, 65 PFC, 66 PFC, 67 PFC, 68 PFC, 69 PFC, 70 PFC, 71 PFC, 72 PFC, 73 PFC, 74 PFC, 75 PFC, 76 PFC, 77 PFC, 78 PFC, 79 PFC, 80 PFC, 81 PFC, 82 PFC, 83 PFC, 84 PFC, 85 PFC, 86 PFC, 87 PFC, 88 PFC, 89 PFC, 90 PFC, 91 PFC, 92 PFC, 93 PFC, 94 PFC, 95 PFC, 96 PFC, 97 PFC, 98 PFC, 99 PFC, 100 PFC		NAME: 2 POS 180DEG TAB HEADER ASSY HV CONNECTOR		SIZE: A0 CASE CODE: 00779 DRAWING NO: C=2141272	
MATERIAL: -		FINISH: -		WEIGHT: - CUSTOMER DRAWING	
SCALE: 5:1		SHEET: 2 of 3		REV: F5	

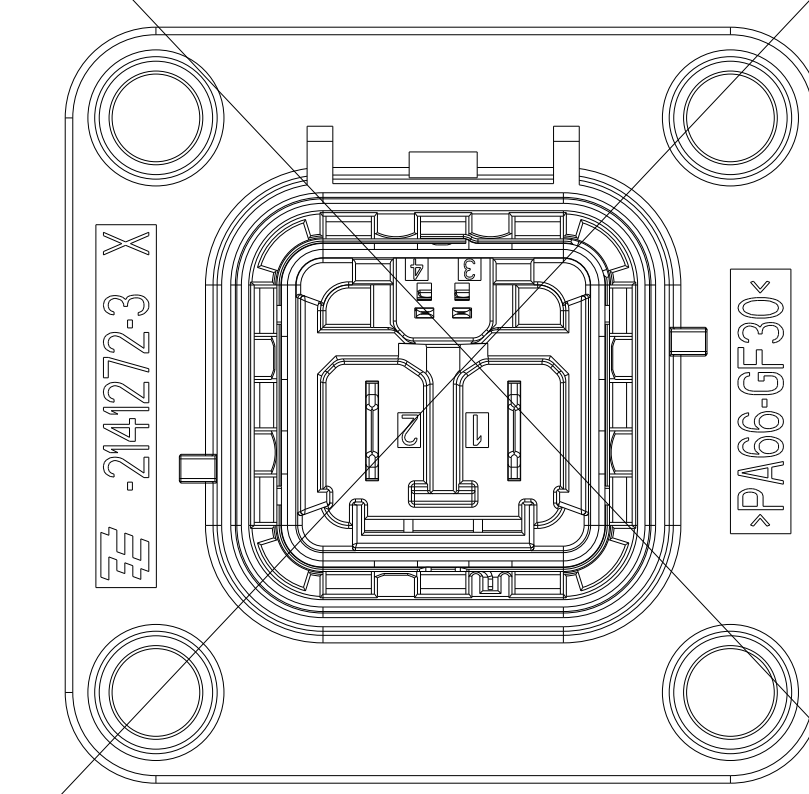
REVISIONS			
REV	DATE	DESCRIPTION	BY
1		SEE SHEET 1	



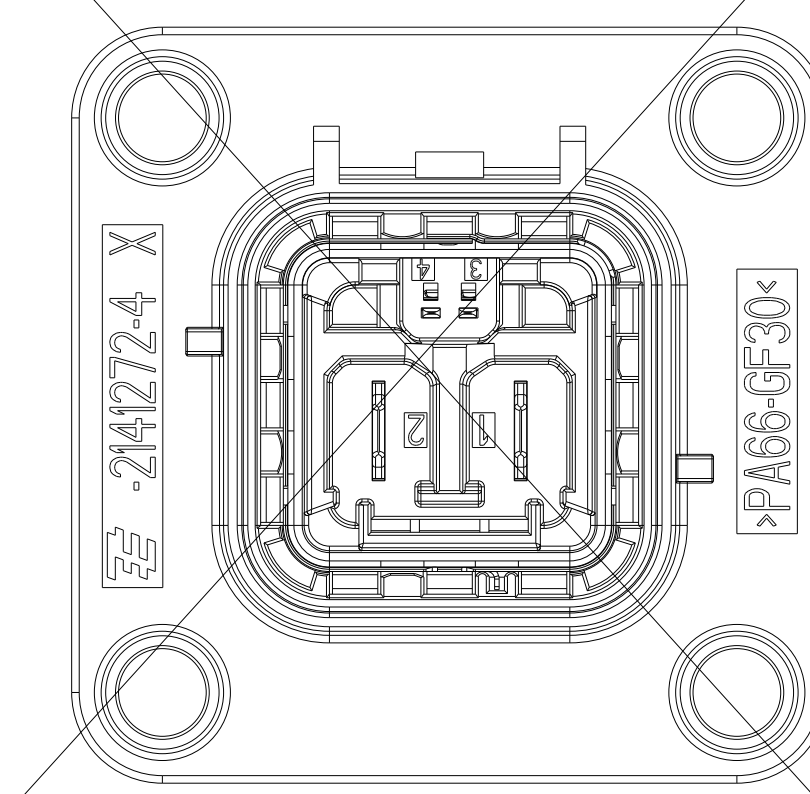
CODE A



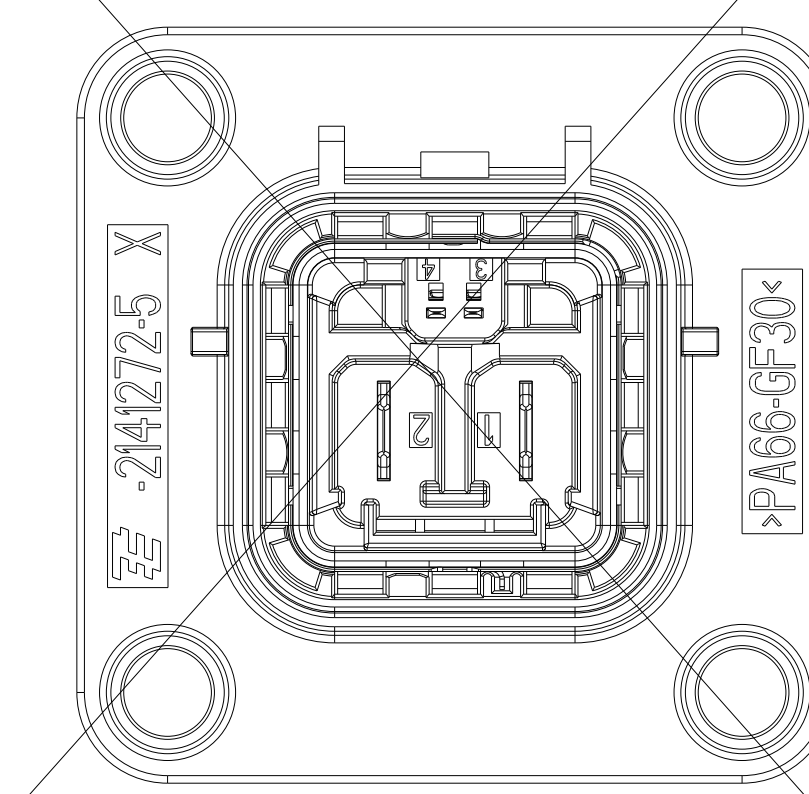
CODE B



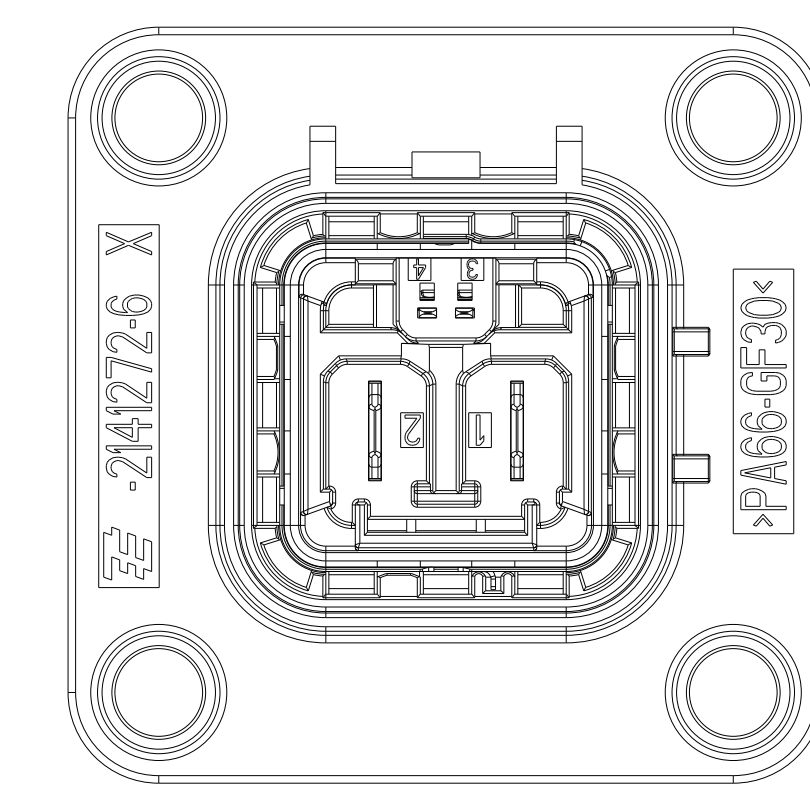
CODE C



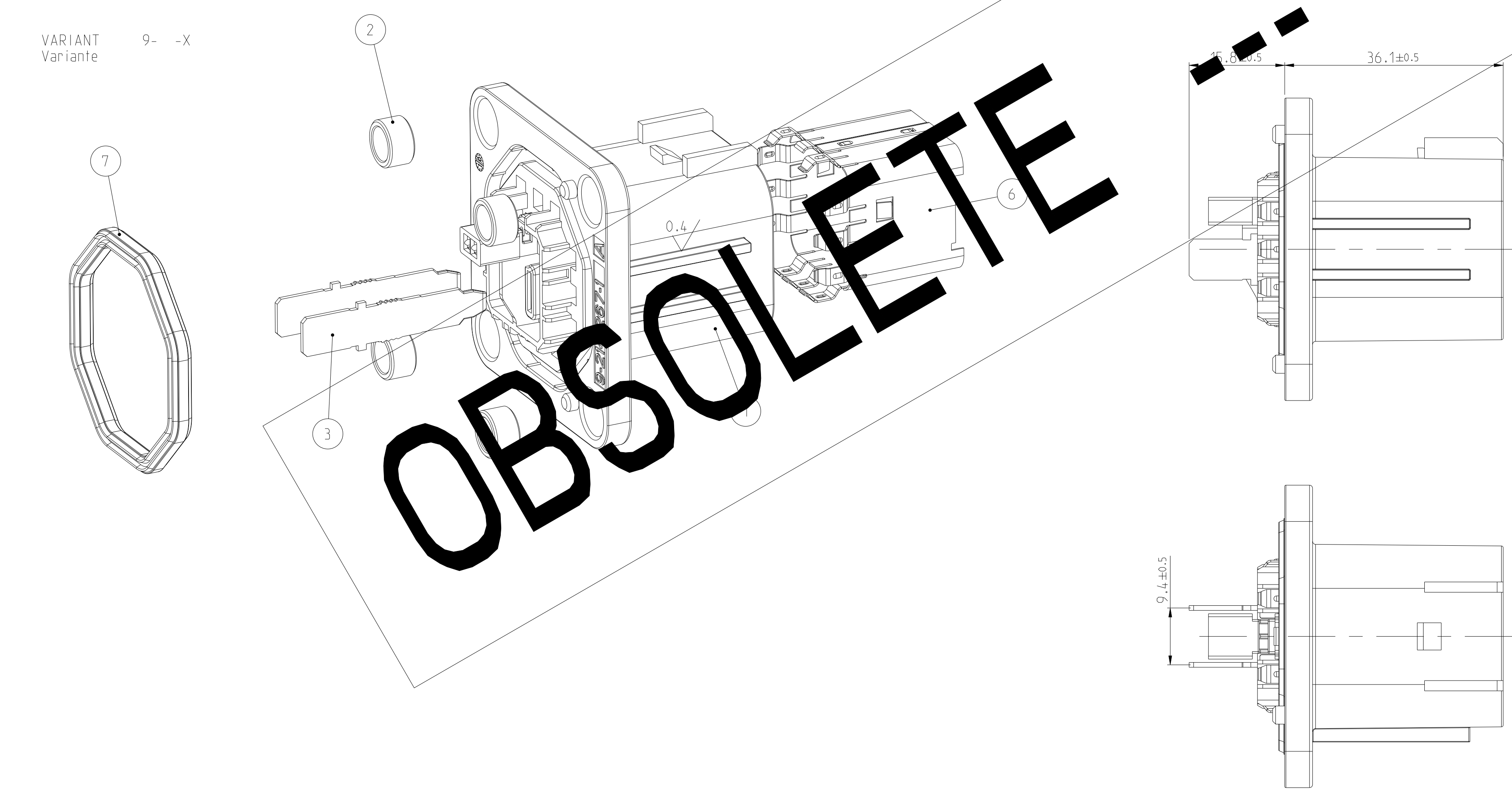
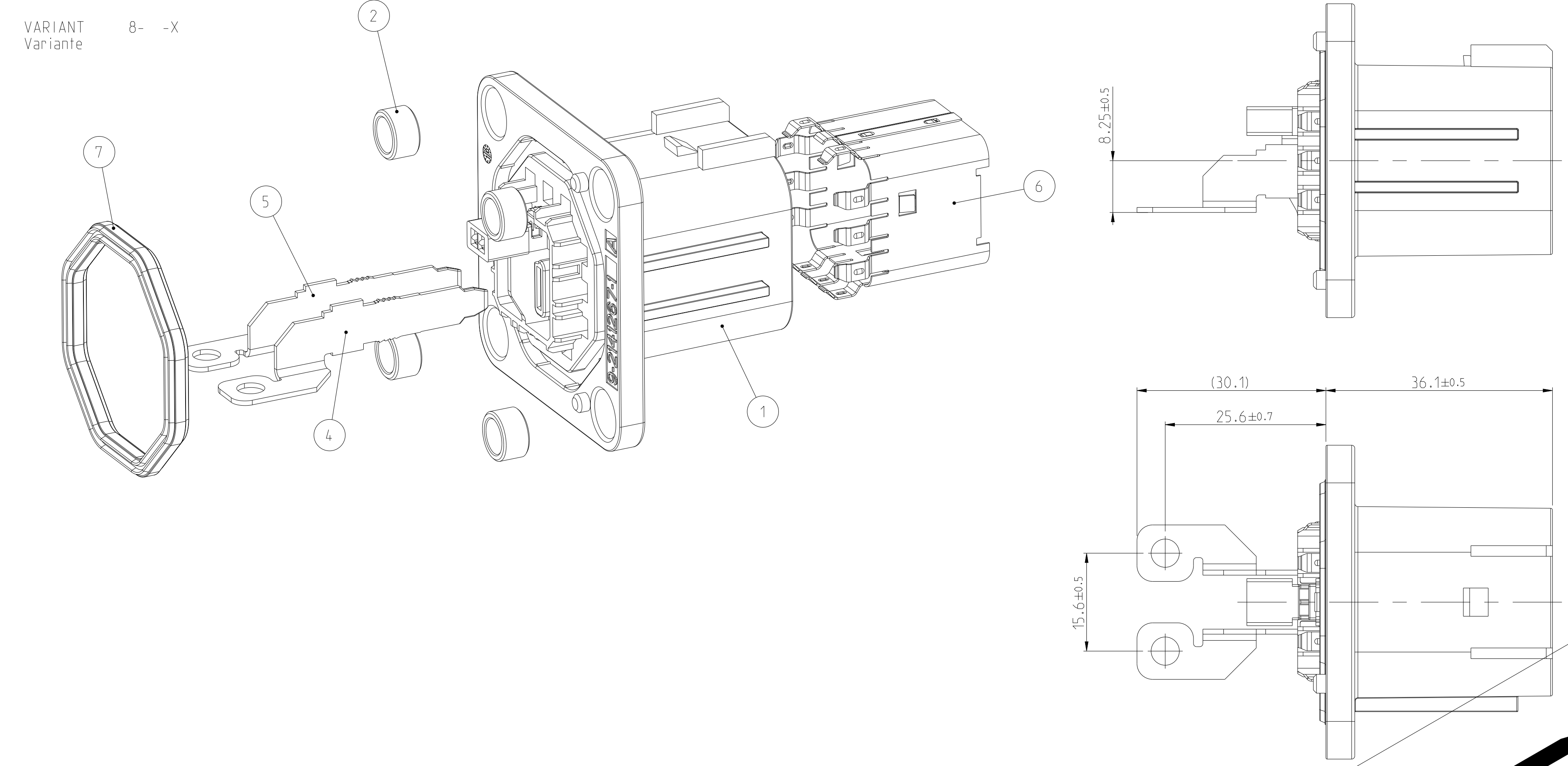
CODE D



CODE E



CODE F



OBSELETE

NOTES
Bemerkungen

- THE GERMAN TEXT IS BINDING
Der deutsche Text ist verbindlich
- LAYER PACKING WITH CORRUGATED LAYER PAD AND PAPER CUSHION INTO CORRUGATED SHIPPING BOX
Lagenweise Verpackung mit Wellpappeinlagen und Papierpolstern in Versandkarton
- MISSING DATAS ACCORDING TO TE-DRAWING NO.: 114-94036
Fehlende Angaben gemäß TE-Zeichnung Nr.: 114-94036
- SUITABLE INTERLOCK-CONTACTS: 1418760-3
SUITABLE 2. LOCK FOR INTERLOCK-CONTACTS: TE-DRAWING NO. 2141145
Passende Interlock-Kontakte: 1418760-3
Passende 2. Kontaktsicherung für Interlock-Anschluss: TE-drawing-nummer 2141145
- SUBJECT TO TECHNICAL CHANGES
TE DOESN'T COMPENSATE FOR FOLLOW-UP-COSTS DUE TO TECHNICAL CHANGES
Technische Änderungen vorbehalten
TE kommt nicht fuer Folgekosten durch Änderungen auf
- UNVERIFIED TAB GEOMETRY, APPLICATION AND VERIFICATION IN CUSTOMERS RESPONSIBILITY
Unverifizierte Tabanschlusssgeometrie, Anwendung und Verifikation im Verantwortungsbereich des Kunden

SPECIFICATIONS Spezifikationen	
MATING CONNECTOR: 2POS. HV. REC HSG. ASSY Gegenstecker: 2pol. HV. Steckergehäuse, Zusammenbau	114-94100-1
INTERFACE DRAWING: ADAPTER PLATE. 2POS HV90/180DEG-CATEGORY 1 Ausfuhrungsvorschrift, Aufnahmeplatte, 2pol HV90 °/180 °-Kategorie 1	114-94037
PRODUCT-SPEC. Produktspezifikation	108-94264
APPLICATION-SPEC. Verarbeitungsspezifikation	114-94100

COD.	DESCRIPTION - ASSY	WEIGHT (g)	TE ORDER-NO.	REV	QTY	DESCRIPTION - PART	MATERIAL	SURFACE	ITEM
F	2 POS 180DEG TAB HEADER ASSY HV CONNECTOR	40	9-2141272-6	B	1	AXIAL SEAL	SILICONE	NATURAL	7
					1	EMC SHIELD	CuNiSi	Ni/Ag	6
					2	TAB 6.3x0.8x0.8mm	CuSn	Ni/Ag	3
					4	SLEEVE	CuZn	Ni	2
A	2 POS 180DEG TAB HEADER ASSY HV CONNECTOR	40	9-2141272-1	B	1	AXIAL SEAL	SILICONE	NATURAL	7
					1	EMC SHIELD	CuNiSi	Ni/Ag	6
					2	TAB 6.3x0.8x0.8mm	CuSn	Ni/Ag	3
					4	SLEEVE	CuZn	Ni	2
F	2 POS 180DEG TAB HEADER ASSY HV CONNECTOR	40	8-2141272-6	B	1	AXIAL SEAL	SILICONE	NATURAL	7
					1	EMC SHIELD	CuNiSi	Ni/Ag	6
					1	TAB 6.3x0.8. RIGHT BENDED TERMINAL	CuSn	Ni/Ag	5
					1	TAB 6.3x0.8. LEFT BENDED TERMINAL	CuSn	Ni/Ag	4
					4	SLEEVE	CuZn	Ni	2
					1	2POS. MIXED. HEADER HSG 180 DEG	PA66GF30	ORANGE	1
A	2 POS 180DEG TAB HEADER ASSY HV CONNECTOR	40	8-2141272-1	B	1	AXIAL SEAL	SILICONE	NATURAL	7
					1	EMC SHIELD	CuNiSi	Ni/Ag	6
					1	TAB 6.3x0.8. RIGHT BENDED TERMINAL	CuSn	Ni/Ag	5
					1	TAB 6.3x0.8. LEFT BENDED TERMINAL	CuSn	Ni/Ag	4
					4	SLEEVE	CuZn	Ni	2
					1	2POS. MIXED. HEADER HSG 180 DEG	PA66GF30	ORANGE	1

THIS DRAWING IS A CONTROLLED DOCUMENT. DIMENSIONING AND TOLERANCING PER GPS 1550 STANDARDS.

DATE: 08FEB2011
BY: VISHVA A
CHECKED: S. HOODINAT
APPROVED: OLMAY2011

TE Connectivity
2 POS 180DEG TAB HEADER ASSY HV CONNECTOR

SCALE: 5:1 SHEET 3 OF 3

Mouser Electronics

Authorized Distributor

Click to View Pricing, Inventory, Delivery & Lifecycle Information:

[TE Connectivity:](#)

[2-2141272-1](#)