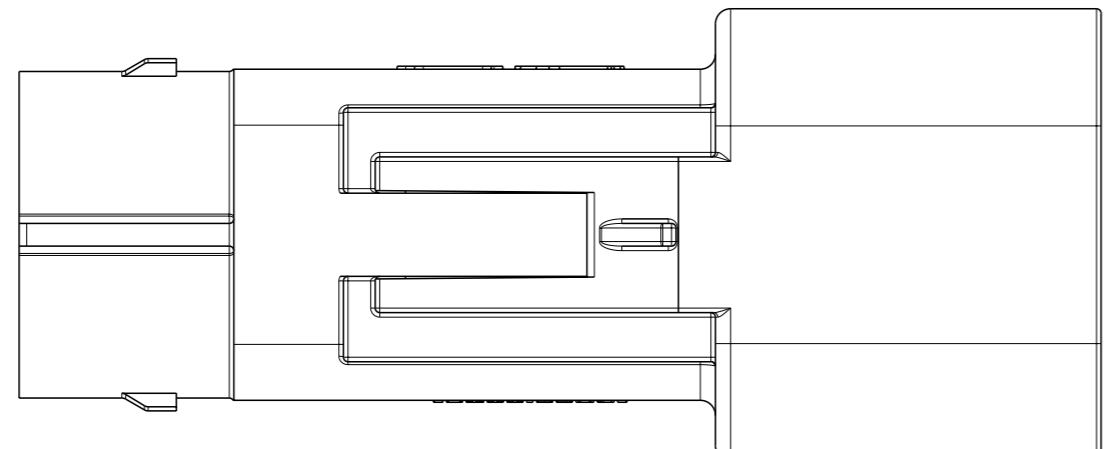
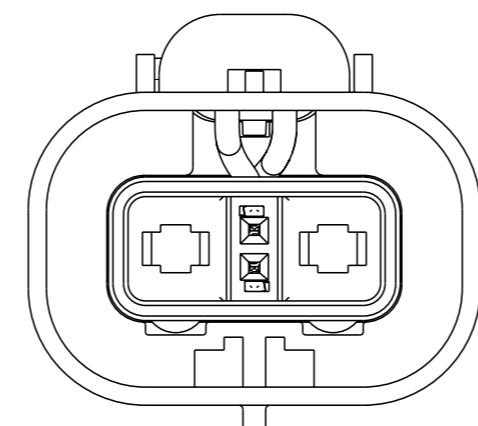
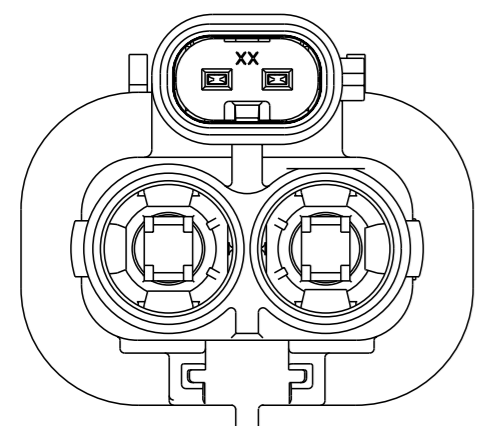
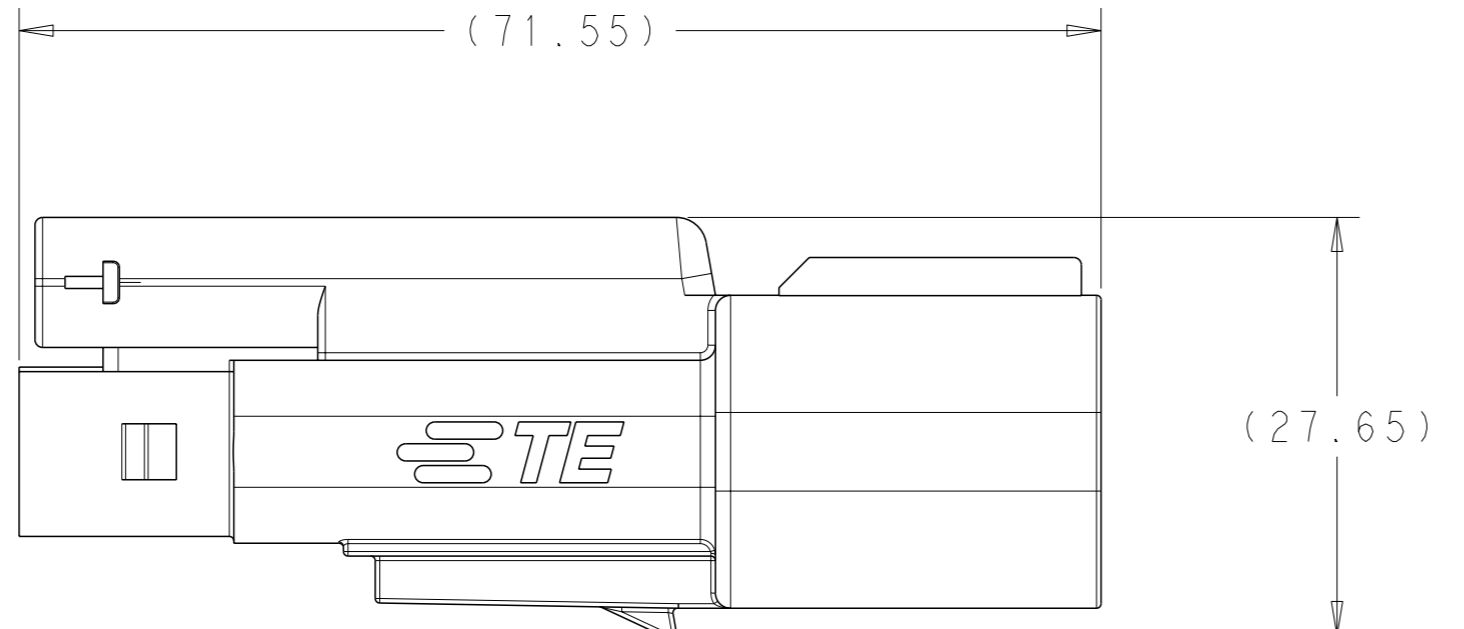
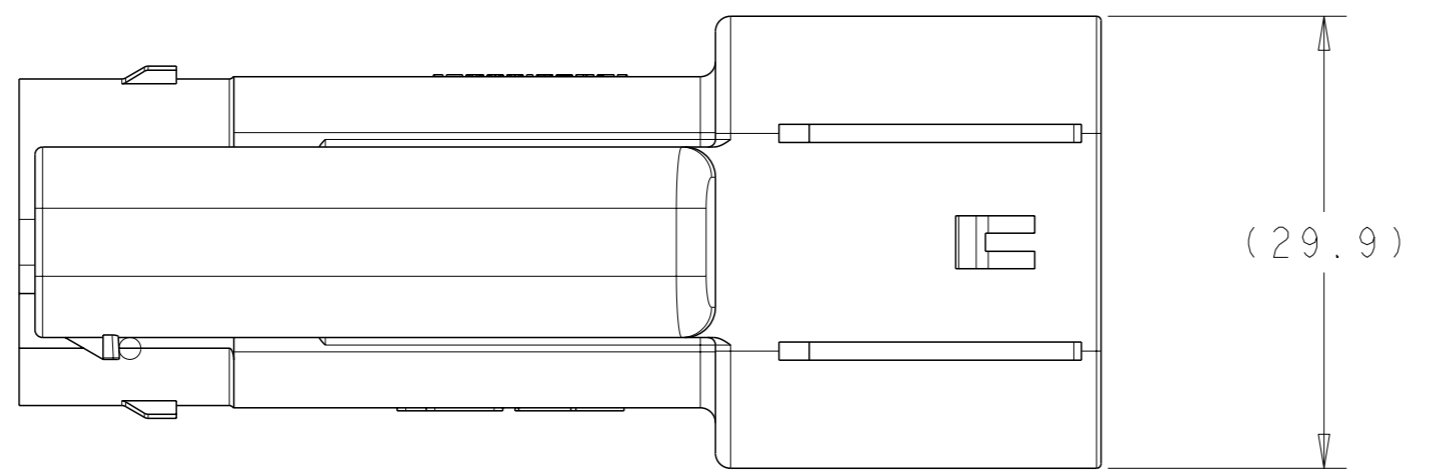
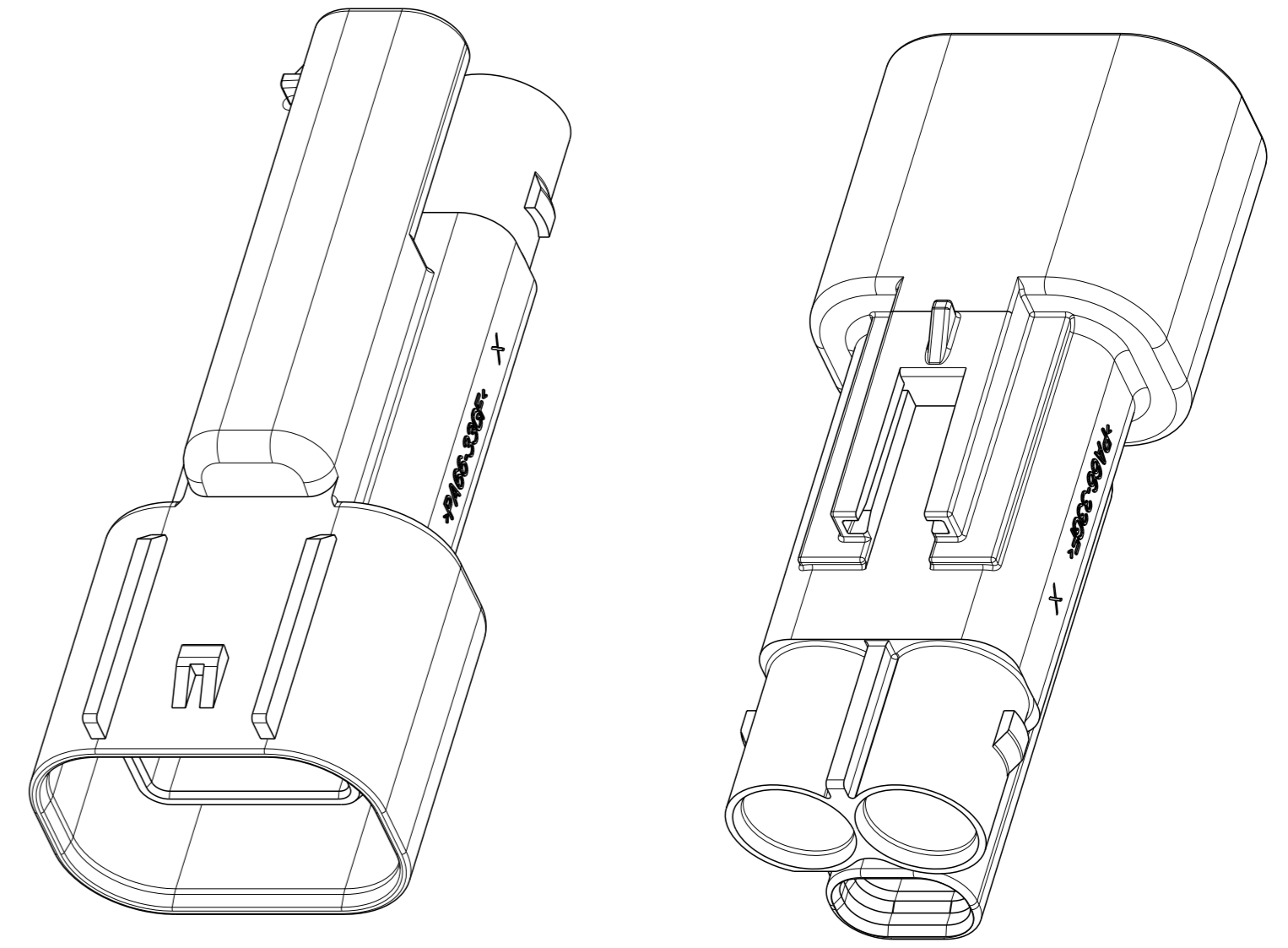
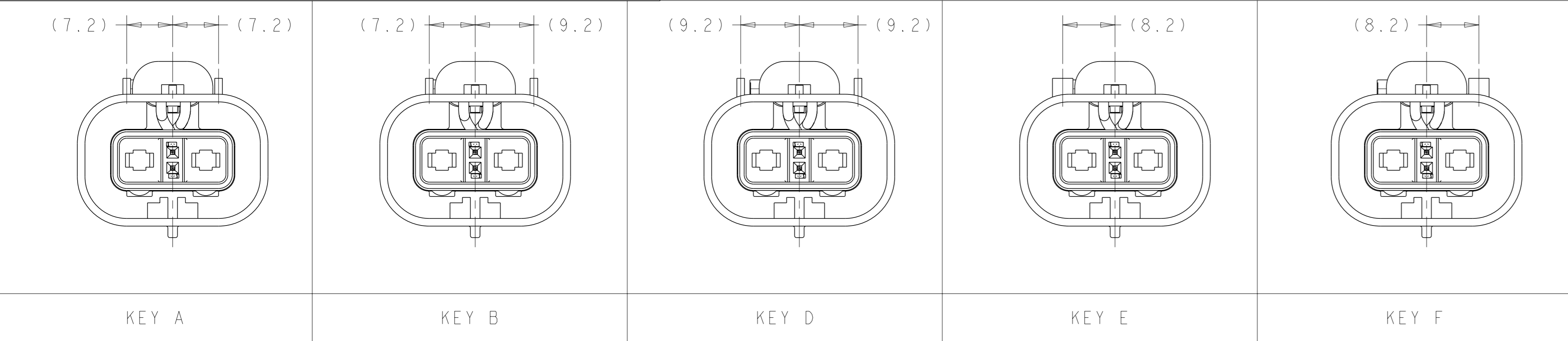


REVISIONS					
REV	DATE	DESCRIPTION	BY	CHK	APPV
A	10APR2014	ECO-14-005495	AD		AD
A1	10JUN2020	ECO-20-008087	CN		AC



DESCRIPTION	PART NO
CAP SUBASSEMBLY, KEY F, HVA280 2PHI	2103191-6
CAP SUBASSEMBLY, KEY E, HVA280 2PHI	2103191-5
CAP SUBASSEMBLY, KEY D, HVA280 2PHI	2103191-4
CAP SUBASSEMBLY, KEY B, HVA280 2PHI	2103191-2
CAP SUBASSEMBLY, KEY A, HVA280 2PHI	2103191-1

THIS DRAWING IS A CONTROLLED DOCUMENT.		OWN: A DE CHAZAL 08DEC2011	TE Connectivity
		CHK: A DE CHAZAL 08DEC2011	
DIMENSIONS:		APVD: -	NAME: CAP SUBASSY, HVA280-2PHI
mm	TOLERANCES UNLESS OTHERWISE SPECIFIED:	PRODUCT SPEC: 108-32085	SIZE: -
	0 PLC ±	APPLICATION SPEC: 114-32033	RESTRICTED TO: -
	1 PLC ±0.5	SIZE: 114-32033	SCALE: 2:1
	2 PLC ±0.13	WEIGHT: -	SHEET 1 OF 1
	3 PLC ±0.013	CUSTOMER DRAWING	REV: A1
	4 PLC ±0.0001		
	ANGLES ±0.0001		
	FINISH *		

# Mouser Electronics

Authorized Distributor

Click to View Pricing, Inventory, Delivery & Lifecycle Information:

[TE Connectivity:](#)

[2103191-4](#)