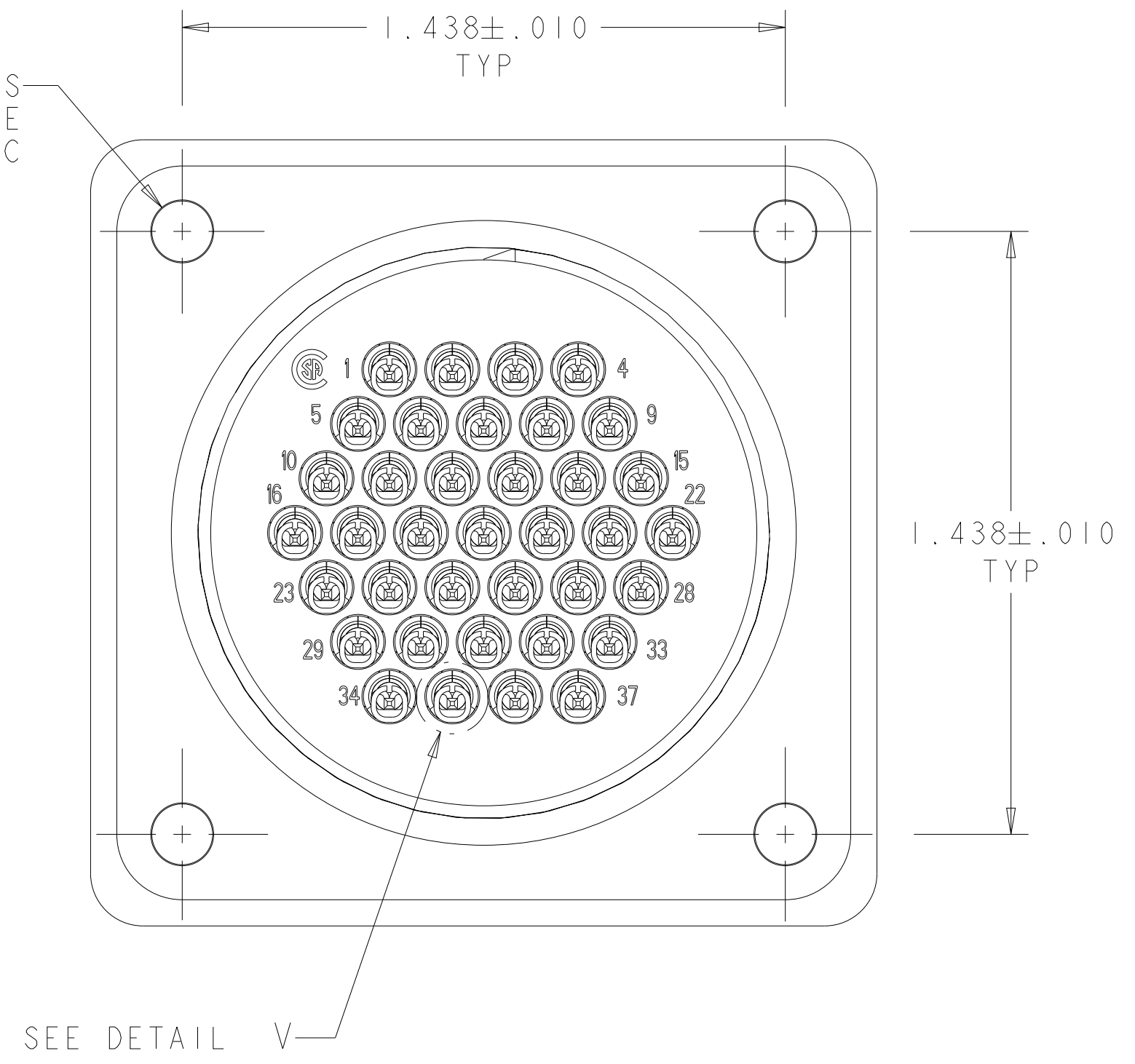
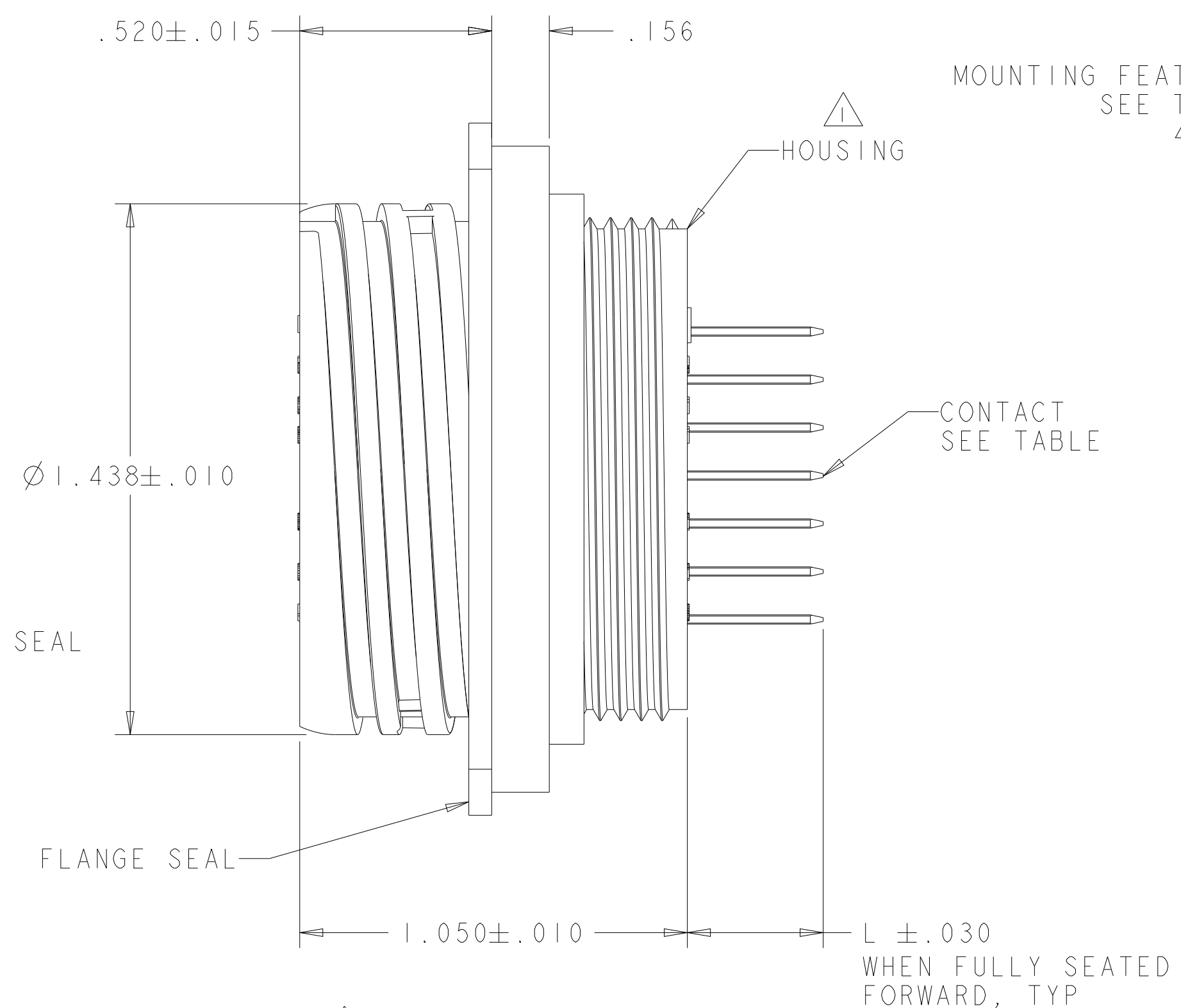
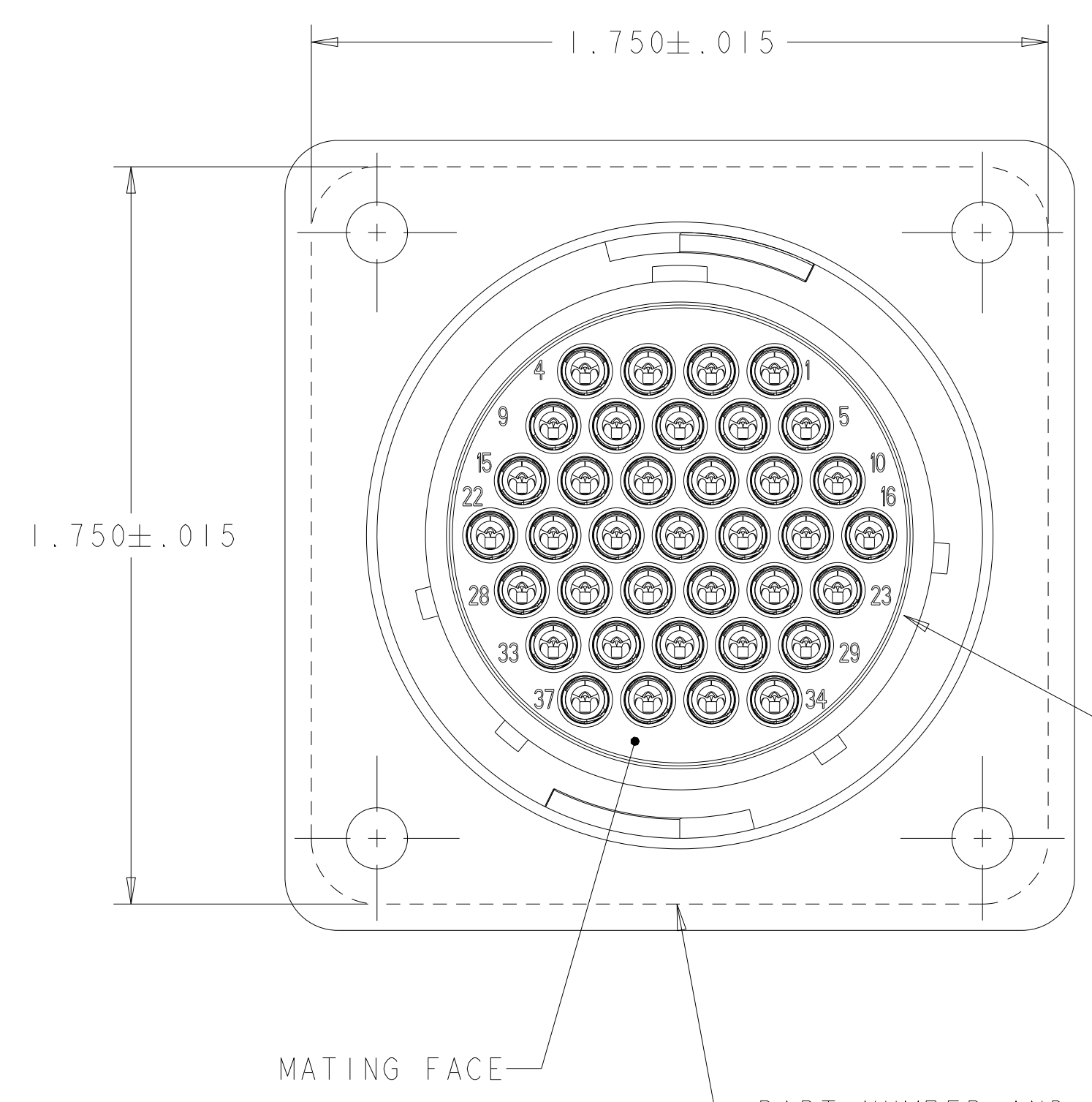
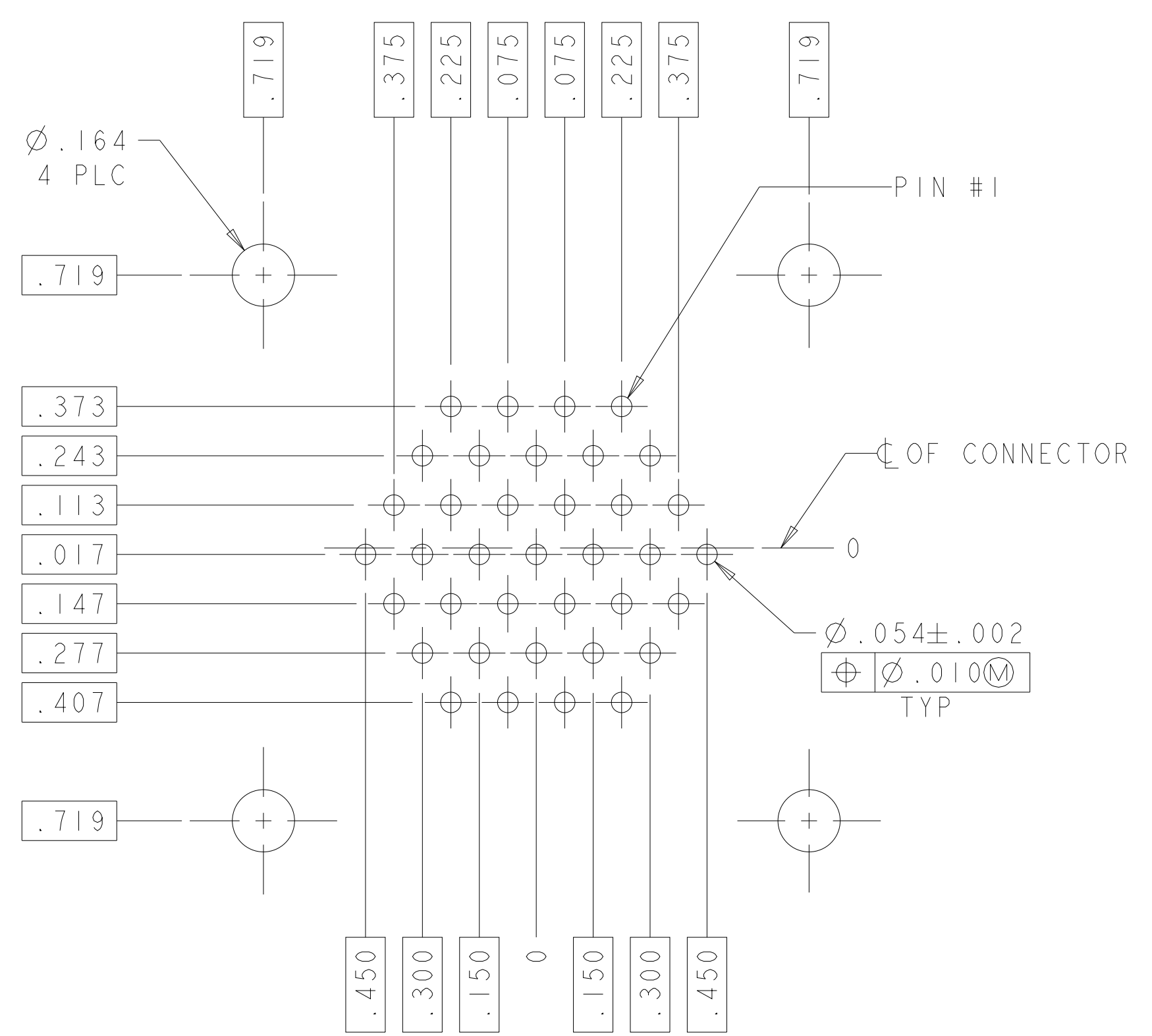
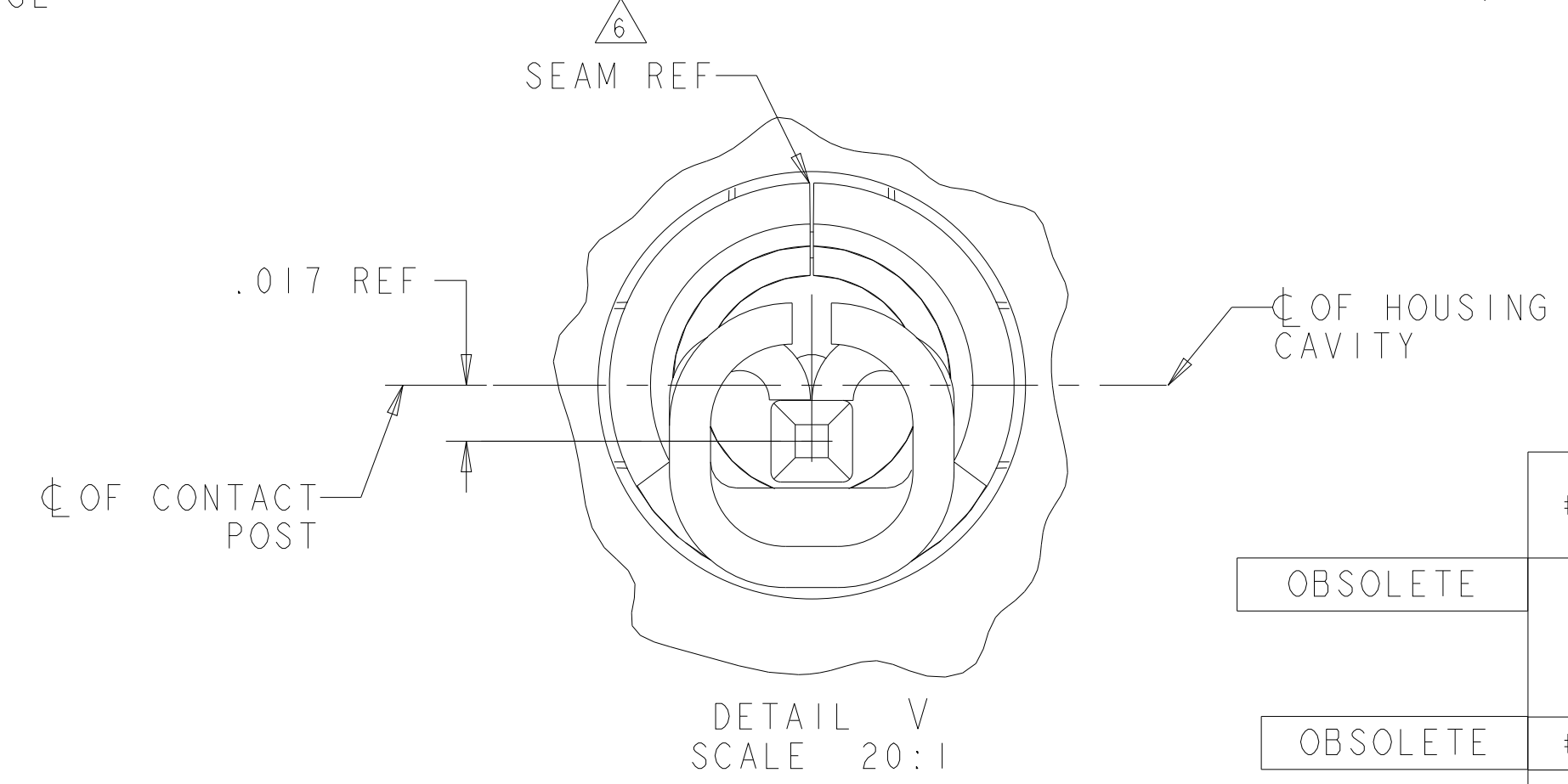


REVISIONS					
P	LTN	DESCRIPTION	DATE	OWN	APVD
	AH2	REVISED PER ECR-22-150475	29AUG2022	RK	MZ



PART NUMBER AND DATE CODE MARKED ON ANY FLANGE EDGE

L ± .030 WHEN FULLY SEATED FORWARD, TYP



	#4-40 THREADED INSERTS	NO	YES	.557	△	ALL	3-208224-0
		NO	NO	.547	△	ALL	2-208224-9
OBSOLETE	Ø .125 HOLES	NO	NO	.490	△	ALL	2-208224-8
		YES	YES	.368	△	1-17, 19-37	2-208224-5
		NO	NO	.557	△	1-9, 11-31, 33-37	2-208224-4
OBSOLETE	#4-40 THREADED INSERTS	NO	YES	.557	△	ALL	2-208224-3
		NO	NO	.368	△	ALL	2-208224-2
		NO	NO	.557	△	ALL	2-208224-1
		NO	YES	.368	△	1-10, 12-29, 31-37	1-208224-8
		NO	YES	.368	△	4, 8, 10, 23, 31, 34-36	1-208224-7
OBSOLETE		NO	YES	.368	△	1-10, 12-29, 31-37	1-208224-6
		NO	YES	.368	△	1-22, 24-37	1-208224-5
		NO	NO	.368	△	ALL	1-208224-3
OBSOLETE	Ø .125 HOLES	NO	YES	.368	△	1-10, 12-29, 31-37	1-208224-2
		NO	YES	.368	△	1-22, 24-37	1-208224-1
OBSOLETE		NO	YES	.368	△	1-10, 12-29, 31-37	1-208224-0
OBSOLETE		NO	NO	.368	△	ALL	208224-9
OBSOLETE		NO	YES	.368	△	1-22, 24-37	208224-5
		NO	YES	.368	△	4, 8, 10, 23, 31, 34-36	208224-4
OBSOLETE		NO	YES	.368	△	1-10, 12-29, 31-37	208224-3
		NO	NO	.368	△	ALL	208224-2
OBSOLETE		NO	NO	.557	△	ALL	208224-1
		NO	NO	.557	△	ALL	208224-0
		NO	NO	.557	△	ALL	208224-0

RECOMMENDED PC BOARD LAYOUT

THIS DRAWING IS A CONTROLLED DOCUMENT. OWN: S. WELDON 26FEB2003. CHK: S. HEADER 26FEB2003. DIMENSIONS: INCHES. TOLERANCES UNLESS OTHERWISE SPECIFIED: 0 PLC ±.000, 1 PLC ±.000, 2 PLC ±.000, 3 PLC ±.000, 4 PLC ±.000, ANGLES ±.0000. MATERIAL: FINISH: CUSTOMER DRAWING. NAME: RECEPTACLE ASSEMBLY, POSTED, REVERSE SEX, SERIES 1, 23-37, CPC. SIZE: A1. CAGE CODE: 00779. DRAWING NO: 208224. SHEET: 1 OF 2. SCALE: 3:1. REV: AH2.

REVISIONS				
#	LTN	DESCRIPTION	DATE	APVD
-	-	SEE SHEET 1	-	-

- △ HOUSING: THERMOPLASTIC, COLOR: BLACK.
- △ PERIPHERAL SEAL: ELASTOMER, COLOR: BLACK.
- △ CONTACT:
 BODY - BRASS, .000030 MIN GOLD FOR A LENGTH OF .200 MIN FROM MATING END, GOLD FLASH ON REMAINDER, BOTH OVER .000050 MIN NICKEL.
 POST - BRASS, .000100 MIN TIN-LEAD OVER .000050 MIN NICKEL.
- △ CONTACT:
 BODY - BRASS, .000100 MIN TIN-LEAD OVER .000050 MIN NICKEL.
 POST - BRASS, .000100 MIN TIN-LEAD OVER .000050 MIN NICKEL.
- △ CONTACT:
 BODY - BRASS, .000100 MIN TIN OVER .000050 MIN NICKEL.
 POST - BRASS, .000100 MIN TIN OVER .000050 MIN NICKEL.
- △ .009 MAXIMUM CONTACT LEAD-IN SEAM GAP PERMISSIBLE ON MATING FACE END.
- △ CONTACT:
 BODY - BRASS, .000030 MIN GOLD FOR A LENGTH OF .200 MIN FROM MATING END, GOLD FLASH ON REMAINDER, BOTH OVER .000050 MIN NICKEL.
 POST - BRASS, .000100 MIN TIN.
- △ FLANGE SEAL: ELASTOMER, COLOR: BLACK.

THIS DRAWING IS A CONTROLLED DOCUMENT.		OWN S. WELDON 26FEB2003	
		CHK S. HEADER 26FEB2003	
DIMENSIONS: INCHES	TOLERANCES UNLESS OTHERWISE SPECIFIED:	APVD S. HEADER 26FEB2003	NAME RECEPTACLE ASSEMBLY, POSTED, REVERSE SEX, SERIES 1, 23-37, CPC
0 PLC ±.0	1 PLC ±0.0	PRODUCT SPEC	RESTRICTED TO
2 PLC ±0.00	3 PLC ±0.000	APPLICATION SPEC	SIZE CAGE CODE DRAWING NO
4 PLC ±0.0000	ANGLES ±.0000	WEIGHT	A 00779 C=208224
FINISH		CUSTOMER DRAWING	SCALE 3:1 SHEET 2 OF 2 REV AH2

Mouser Electronics

Authorized Distributor

Click to View Pricing, Inventory, Delivery & Lifecycle Information:

[TE Connectivity:](#)

[208224-3](#)