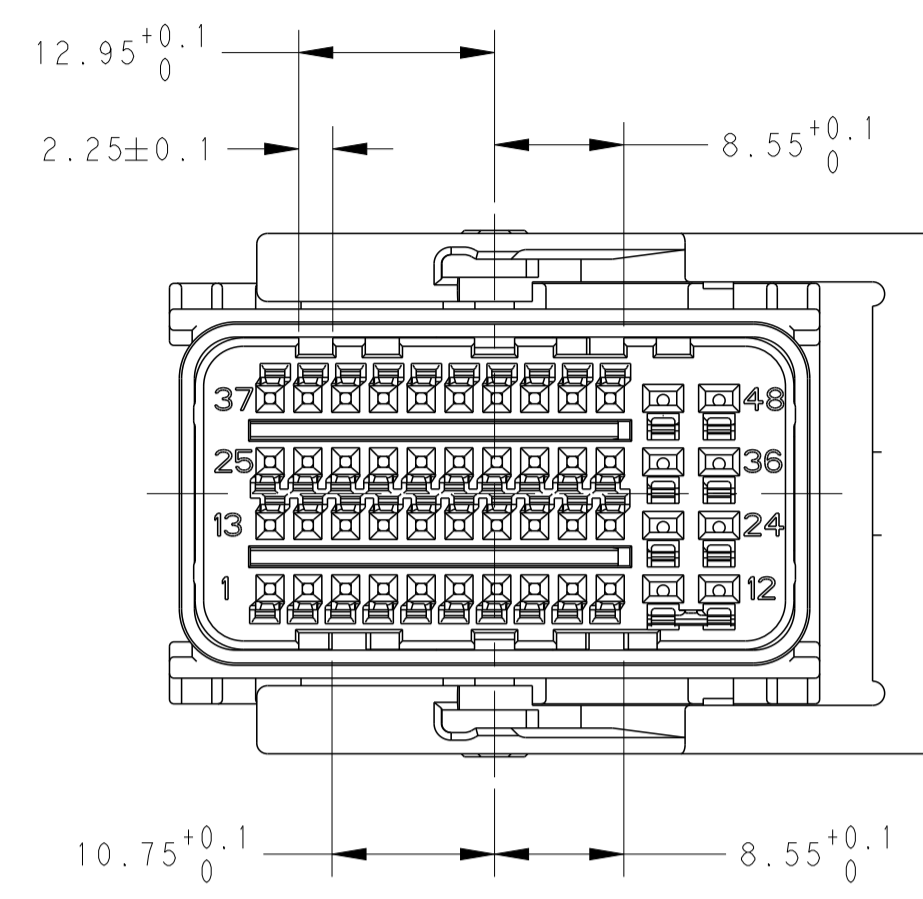


LOC		DIST		REVISIONS					
ES		00		P	LTN	DESCRIPTION	DATE	DWN	APVD
				-	-	SEE SHEET 1	-	-	-

CODING 2

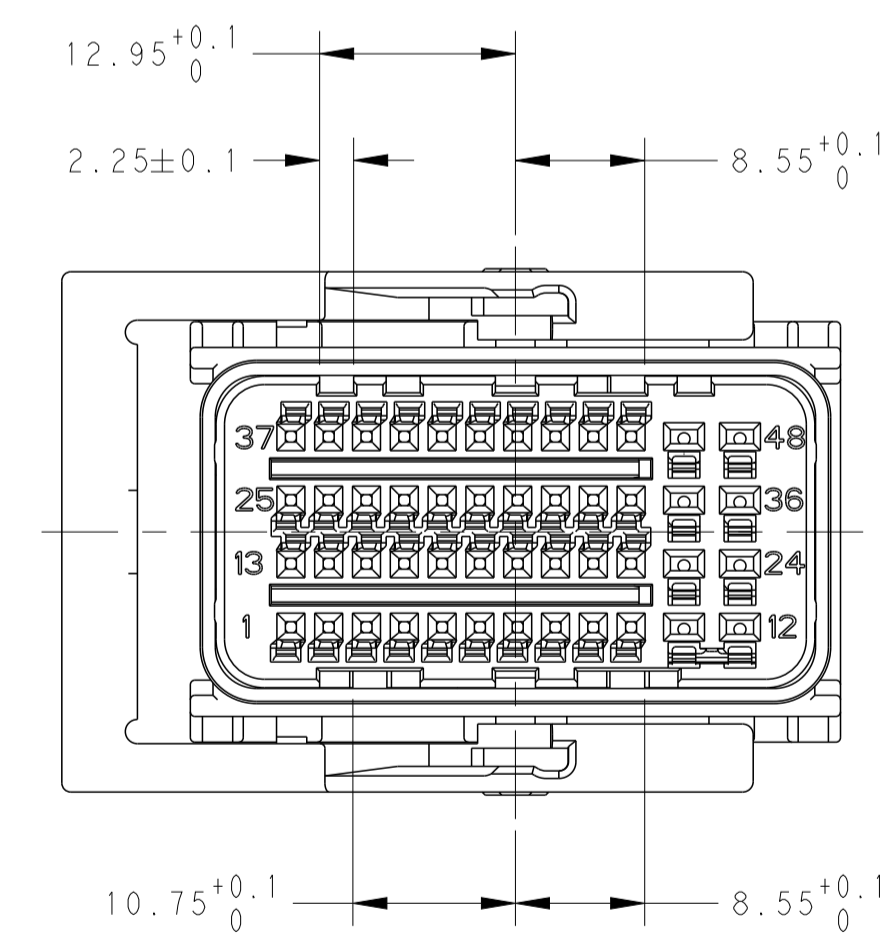
CAVITY NO.		PINOUT CONFIGURATION																																																						
2137490-1	2137290-1	X	X	X	X	X	X	X	X	X	X	X	X	X	X	X	X	X	X	X	X	X	X	X	X	X	X	X	X	X	X	X	X	X	X	X	X	X	X	X	X	X	X	X	X	X	X	X	X	X	X	X	X	X	X	X
PACKING PN	TE PN (48P MIXED HOUSING)	1	2	3	4	5	6	7	8	9	10	11	12	13	14	15	16	17	18	19	20	21	22	23	24	25	26	27	28	29	30	31	32	33	34	35	36	37	38	39	40	41	42	43	44	45	46	47	48							
BLANKED CAVITIES INDICATE CLOSED LOCATIONS																																																								
WITH "X" MARKED CAVITIES INDICATE OPEN LOCATIONS																																																								



**CODING 2
 GREY
 LEVER RIGHT
 CABLE EXIT LEFT
 PN 2137290**

CODING 2

CAVITY NO.		PINOUT CONFIGURATION																																																										
2137491-1	2137291-1	X	X	X	X	X	X	X	X	X	X	X	X	X	X	X	X	X	X	X	X	X	X	X	X	X	X	X	X	X	X	X	X	X	X	X	X	X	X	X	X	X	X	X	X	X	X	X	X	X	X	X	X	X	X	X	X	X	X	X
PACKING PN	TE PN (48P MIXED HOUSING)	1	2	3	4	5	6	7	8	9	10	11	12	13	14	15	16	17	18	19	20	21	22	23	24	25	26	27	28	29	30	31	32	33	34	35	36	37	38	39	40	41	42	43	44	45	46	47	48											
BLANKED CAVITIES INDICATE CLOSED LOCATIONS																																																												
WITH "X" MARKED CAVITIES INDICATE OPEN LOCATIONS																																																												



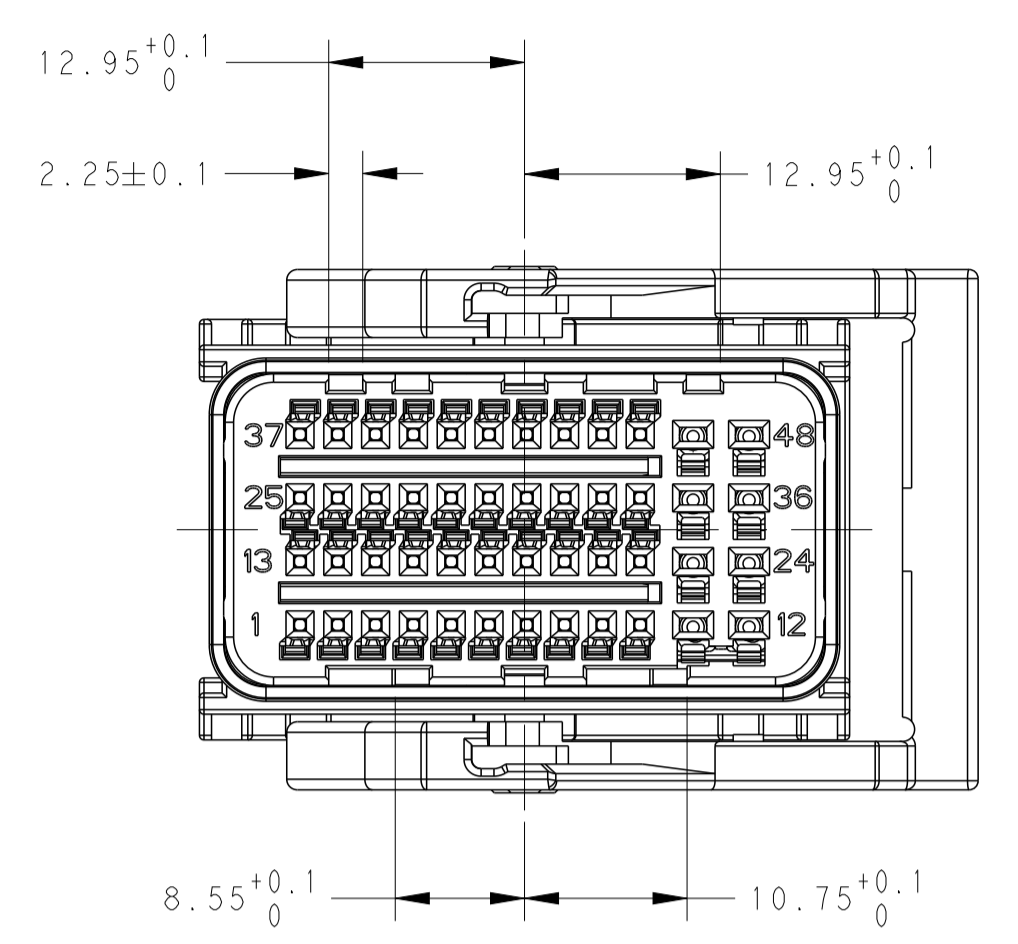
**CODING 2
 GREY
 LEVER LEFT
 CABLE EXIT RIGHT
 PN 2137291**

THIS DRAWING IS A CONTROLLED DOCUMENT.		DWN B. PU	26AUG2010	TE Connectivity	
DIMENSIONS: mm		CHK Y. YANG	26AUG2010		
TOLERANCES UNLESS OTHERWISE SPECIFIED: 0-PLC ± 1-PLC ±0.3 2-PLC ±0.3 3-PLC ±0.3 4-PLC ±0.3 ANGLES ±0.5 FINISH ±		APVD K. ODA	02NOV2010	NAME 48POS. MIXED RECEPTACLE HOUSING 40xMQS AND 8x1.5	
MATERIAL		APPLICATION SPEC		RESTRICTED TO	
		SEE SHEET 1		SIZE CAGE CODE DRAWING NO.	
		WEIGHT		A100779C=2050981	
		CUSTOMER DRAWING		SCALE 1:1 SHEET 2 OF 6 REV D6	

LOC	DIST	REV	DATE	BY	APPV
ES	00	-	SEE SHEET 1	-	-

CODING 3

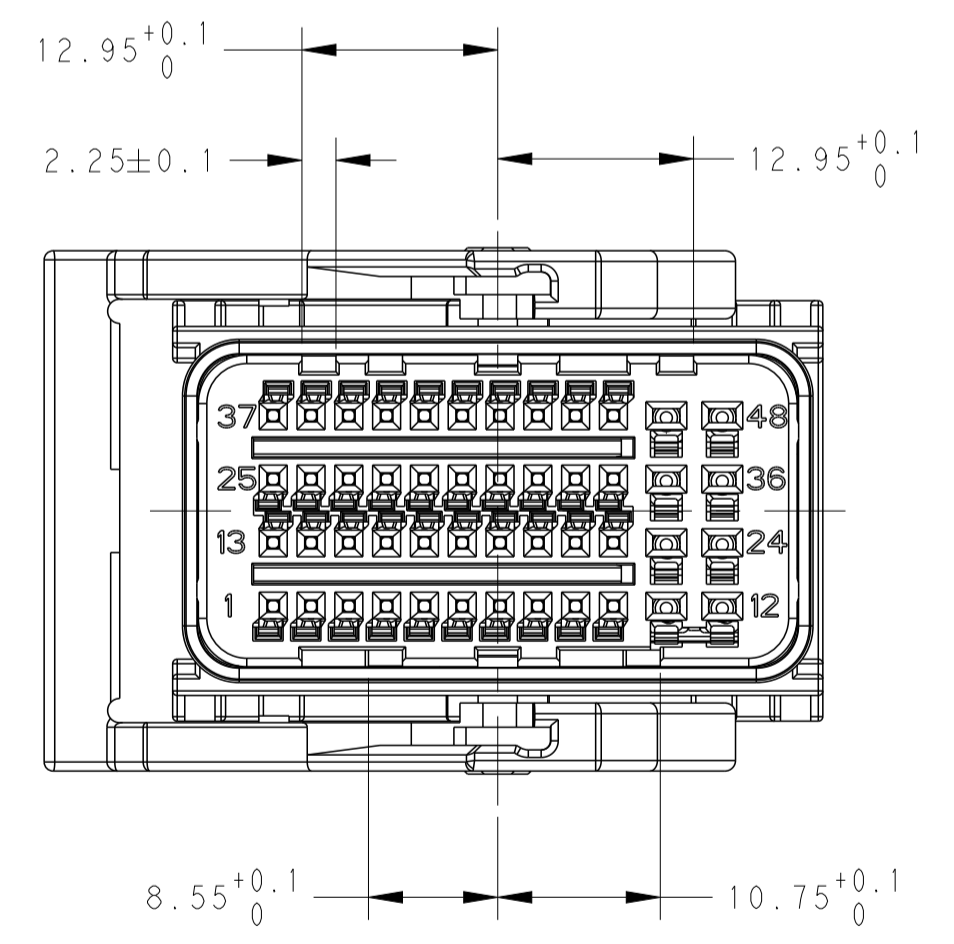
CAVITY NO.		1	2	3	4	5	6	7	8	9	10	11	12	13	14	15	16	17	18	19	20	21	22	23	24	25	26	27	28	29	30	31	32	33	34	35	36	37	38	39	40	41	42	43	44	45	46	47	48			
2137492-1	2137292-1	X	X	X	X	X	X	X	X	X	X	X	X	X	X	X	X	X	X	X	X	X	X	X	X	X	X	X	X	X	X	X	X	X	X	X	X	X	X	X	X	X	X	X	X	X	X	X	X	X	X	X
PACKING PN	TE PN (48P MIXED HOUSING)	1	2	3	4	5	6	7	8	9	10	11	12	13	14	15	16	17	18	19	20	21	22	23	24	25	26	27	28	29	30	31	32	33	34	35	36	37	38	39	40	41	42	43	44	45	46	47	48			
BLANKED CAVITIES INDICATE CLOSED LOCATIONS																																																				
WITH "X" MARKED CAVITIES INDICATE OPEN LOCATIONS																																																				



**CODING 3
 BROWN
 LEVER RIGHT
 CABLE EXIT LEFT
 PN 2137292**

CODING 3

CAVITY NO.		1	2	3	4	5	6	7	8	9	10	11	12	13	14	15	16	17	18	19	20	21	22	23	24	25	26	27	28	29	30	31	32	33	34	35	36	37	38	39	40	41	42	43	44	45	46	47	48			
2137493-1	2137293-1	X	X	X	X	X	X	X	X	X	X	X	X	X	X	X	X	X	X	X	X	X	X	X	X	X	X	X	X	X	X	X	X	X	X	X	X	X	X	X	X	X	X	X	X	X	X	X	X	X	X	X
PACKING PN	TE PN (48P MIXED HOUSING)	1	2	3	4	5	6	7	8	9	10	11	12	13	14	15	16	17	18	19	20	21	22	23	24	25	26	27	28	29	30	31	32	33	34	35	36	37	38	39	40	41	42	43	44	45	46	47	48			
BLANKED CAVITIES INDICATE CLOSED LOCATIONS																																																				
WITH "X" MARKED CAVITIES INDICATE OPEN LOCATIONS																																																				



**CODING 3
 BROWN
 LEVER LEFT
 CABLE EXIT RIGHT
 PN 2137293**

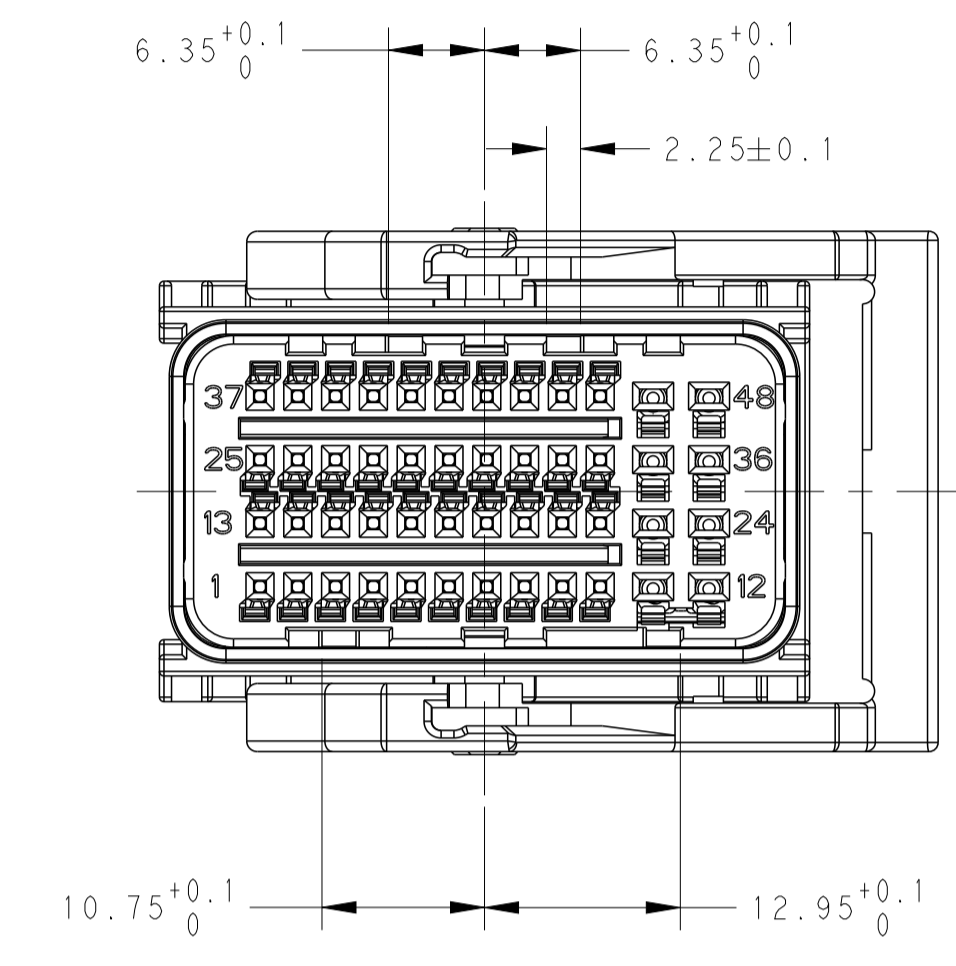
THIS DRAWING IS A CONTROLLED DOCUMENT.

DIMENSIONS:	TOLERANCES UNLESS OTHERWISE SPECIFIED:	DWN B. PU 26AUG2010	26AUG2010	TE Connectivity
mm	0-PLC 1 1-PLC 10-3 2-PLC 10-3 3-PLC 10-3 4-PLC 10-3 ANGLES 10-3 FINISH	CHK Y. YANG 26AUG2010	26AUG2010	
MATERIAL		APVD K. ODA 02NOV2010		NAME 48POS. MIXED RECEPTACLE HOUSING 40xMQS AND 8x1.5
		PRODUCT SPEC		SIZE CAGE CODE DRAWING NO
		APPLICATION SPEC		RESTRICTED TO
		SEE SHEET 1		A100779C=2050981
		WEIGHT		SCALE 1:1 SHEET 3 OF 6 REV D6
		CUSTOMER DRAWING		

LOC	DIST	REVISIONS					
ES	00	P	LTN	DESCRIPTION	DATE	DMN	APVD
		-		SEE SHEET 1			

CODING 4

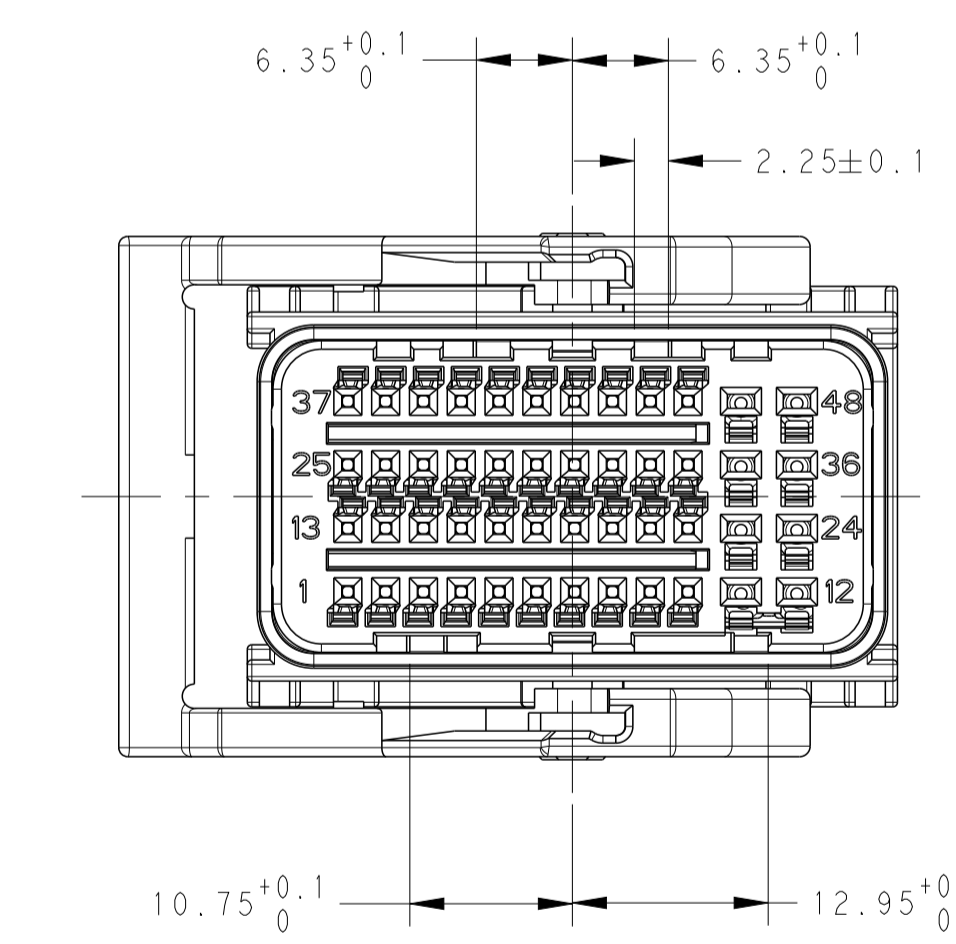
CAVITY NO.		1	2	3	4	5	6	7	8	9	10	11	12	13	14	15	16	17	18	19	20	21	22	23	24	25	26	27	28	29	30	31	32	33	34	35	36	37	38	39	40	41	42	43	44	45	46	47	48	
2137904-3	2137898-3	X	X	X	X		X	X	X	X	X						X	X	X	X	X	X	X					X	X	X	X			X	X	X	X			X	X	X	X			X	X	X	X	
2137904-2	2137898-2	X		X	X	X					X	X	X	X	X	X	X	X	X	X	X	X	X			X	X	X	X	X	X	X	X	X	X	X	X	X	X	X	X	X	X	X	X	X	X	X	X	X
2137904-1	2137898-1	X	X	X	X	X	X	X	X	X	X	X	X	X	X	X	X	X	X	X	X	X	X	X	X	X	X	X	X	X	X	X	X	X	X	X	X	X	X	X	X	X	X	X	X	X	X	X	X	X
PACKING PN	TE PN (48P MIXED HOUSING)	1	2	3	4	5	6	7	8	9	10	11	12	13	14	15	16	17	18	19	20	21	22	23	24	25	26	27	28	29	30	31	32	33	34	35	36	37	38	39	40	41	42	43	44	45	46	47	48	
BLANKED CAVITIES INDICATE CLOSED LOCATIONS																																																		
WITH "X" MARKED CAVITIES INDICATE OPEN LOCATIONS																																																		



**CODING 4
 GREEN
 LEVER RIGHT
 CABLE EXIT LEFT
 PN 2137898**

CODING 4

CAVITY NO.		1	2	3	4	5	6	7	8	9	10	11	12	13	14	15	16	17	18	19	20	21	22	23	24	25	26	27	28	29	30	31	32	33	34	35	36	37	38	39	40	41	42	43	44	45	46	47	48		
2137905-2	2137899-2	X	X	X	X					X	X	X	X	X	X	X	X	X	X	X	X	X	X	X	X	X	X	X	X	X	X	X	X	X	X	X	X	X	X	X	X	X	X	X	X	X	X	X	X	X	
2137905-1	2137899-1	X	X	X	X	X	X	X	X	X	X	X	X	X	X	X	X	X	X	X	X	X	X	X	X	X	X	X	X	X	X	X	X	X	X	X	X	X	X	X	X	X	X	X	X	X	X	X	X	X	X
PACKING PN	TE PN (48P MIXED HOUSING)	1	2	3	4	5	6	7	8	9	10	11	12	13	14	15	16	17	18	19	20	21	22	23	24	25	26	27	28	29	30	31	32	33	34	35	36	37	38	39	40	41	42	43	44	45	46	47	48		
BLANKED CAVITIES INDICATE CLOSED LOCATIONS																																																			
WITH "X" MARKED CAVITIES INDICATE OPEN LOCATIONS																																																			



**CODING 4
 GREEN
 LEVER LEFT
 CABLE EXIT RIGHT
 PN 2137899**

THIS DRAWING IS A CONTROLLED DOCUMENT.

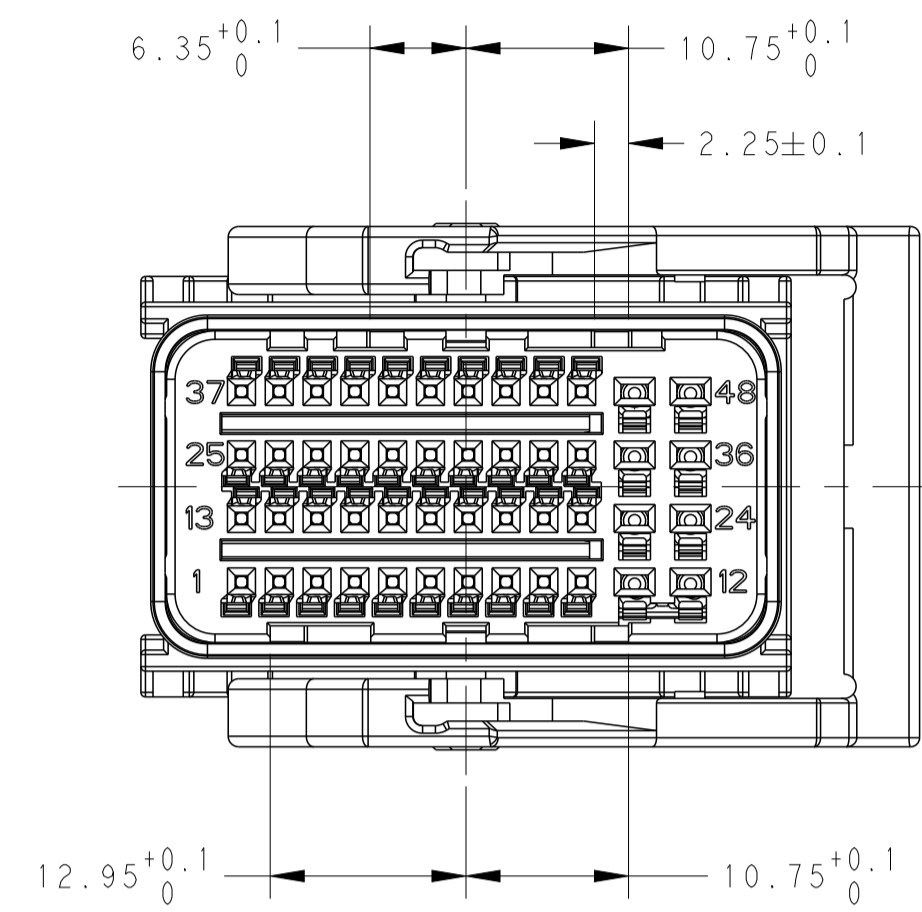
DIMENSIONS:	TOLERANCES UNLESS OTHERWISE SPECIFIED:	DMN: B.PU 26AUG2010	TE Connectivity NAME: 48POS. MIXED RECEPTACLE HOUSING 40xMQS AND 8x1.5
mm	0-PLC ±.1 1-PLC ±0.3 2-PLC ±0.3 3-PLC ±0.3 4-PLC ±0.3 ANGLES ±.1	CHK: Y. YANG 26AUG2010 APVD: K. QDA 02NOV2010	
MATERIAL:	FINISH:	PRODUCT SPEC:	SIZE: A1
		APPLICATION SPEC:	CAGE CODE: 00779
		SEE SHEET 1	DRAWING NO: C=2050981
		WEIGHT:	RESTRICTED TO:
		CUSTOMER DRAWING	SCALE: 1:1 SHEET 4 OF 6 REV: D6

THIS DRAWING IS UNPUBLISHED. RELEASED FOR PUBLICATION 20
COPYRIGHT 20 BY ALL RIGHTS RESERVED.

LOC	DIST	P	LTM	REVISIONS	DATE	DWN	APVD
ES	00			DESCRIPTION			
		-		SEE SHEET 1			

CODING 6

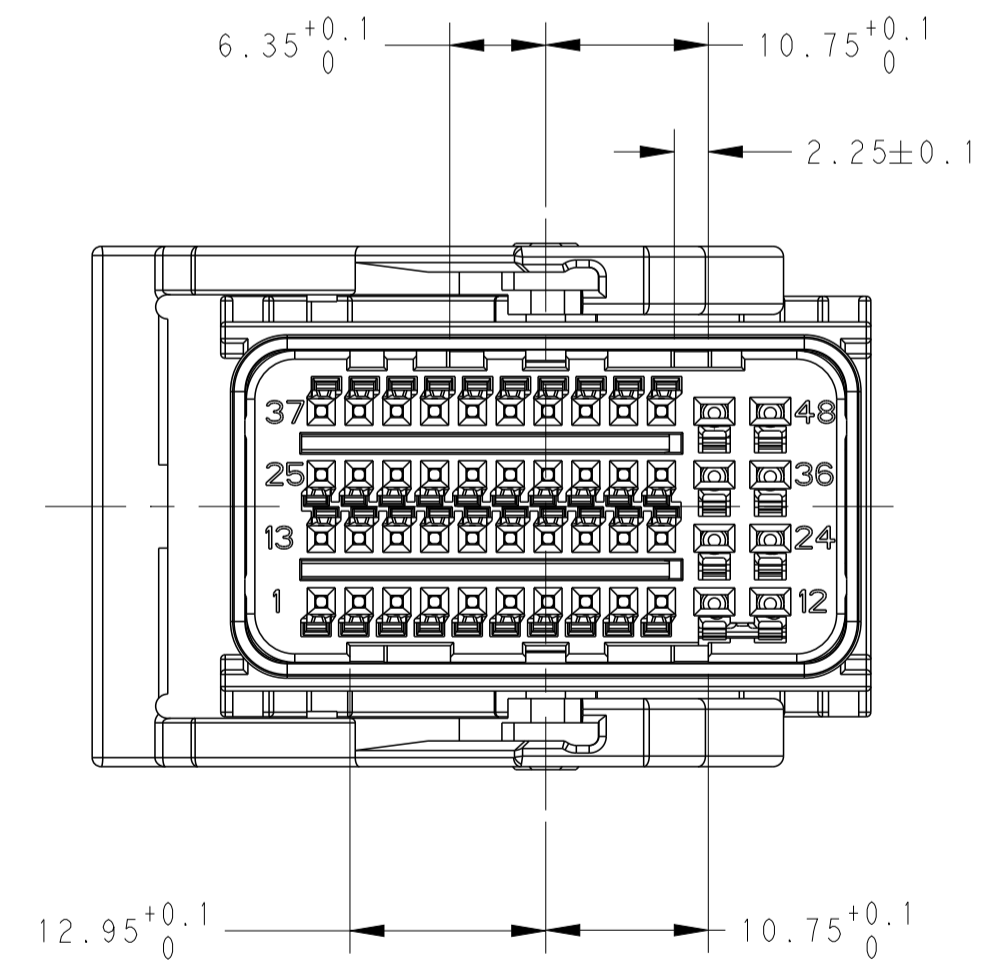
CAVITY NO.		PINOUT CONFIGURATION																																																				
2137908-1	2137902-1	X	X	X	X	X	X	X	X	X	X	X	X	X	X	X	X	X	X	X	X	X	X	X	X	X	X	X	X	X	X	X	X	X	X	X	X	X	X	X	X	X	X	X	X	X	X	X	X	X	X	X	X	X
PACKING PN	TE PN (48P MIXED HOUSING)	1	2	3	4	5	6	7	8	9	10	11	12	13	14	15	16	17	18	19	20	21	22	23	24	25	26	27	28	29	30	31	32	33	34	35	36	37	38	39	40	41	42	43	44	45	46	47	48					
		BLANKED CAVITIES INDICATE CLOSED LOCATIONS																																																				
		WITH "X" MARKED CAVITIES INDICATE OPEN LOCATIONS																																																				



CODING 6
YELLOW
LEVER RIGHT
CABLE EXIT LEFT
PN 2137902

CODING 6

CAVITY NO.		PINOUT CONFIGURATION																																																				
2137909-1	2137903-1	X	X	X	X	X	X	X	X	X	X	X	X	X	X	X	X	X	X	X	X	X	X	X	X	X	X	X	X	X	X	X	X	X	X	X	X	X	X	X	X	X	X	X	X	X	X	X	X	X	X	X	X	X
PACKING PN	TE PN (48P MIXED HOUSING)	1	2	3	4	5	6	7	8	9	10	11	12	13	14	15	16	17	18	19	20	21	22	23	24	25	26	27	28	29	30	31	32	33	34	35	36	37	38	39	40	41	42	43	44	45	46	47	48					
		BLANKED CAVITIES INDICATE CLOSED LOCATIONS																																																				
		WITH "X" MARKED CAVITIES INDICATE OPEN LOCATIONS																																																				



CODING 6
YELLOW
LEVER LEFT
CABLE EXIT RIGHT
PN 2137903

THIS DRAWING IS A CONTROLLED DOCUMENT.			DWN B.PU 26AUG2010	
DIMENSIONS: mm			CHK Y. YANG 26AUG2010	
TOLERANCES UNLESS OTHERWISE SPECIFIED:			APVD K. QDA 02NOV2010	
<p>0-PLC 1</p> <p>1-PLC 10-3</p> <p>2-PLC 10-3</p> <p>3-PLC 10-3</p> <p>4-PLC 10-3</p> <p>ANGLES 10-3</p> <p>MATERIAL FINISH</p>				NAME 48POS. MIXED RECEPTACLE HOUSING 40xMQS AND 8x1.5
APPLICATION SPEC SEE SHEET 1				RESTRICTED TO
WEIGHT				SIZE CAGE CODE DRAWING NO. A100779C=2050981
CUSTOMER DRAWING				SCALE 1:1 SHEET 6 OF 6 REV D6

Mouser Electronics

Authorized Distributor

Click to View Pricing, Inventory, Delivery & Lifecycle Information:

[TE Connectivity:](#)

[2050981-1](#)