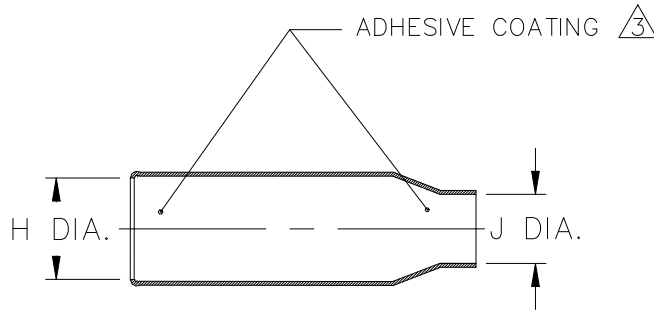


REVISIONS					
P	LTR	DESCRIPTION	DATE	DWN	APVD
	AA1	REVISED PER ECN-24-248739	22JAN2024	MM	LR

AS SUPPLIED



AFTER UNRESTRICTED RECOVERY

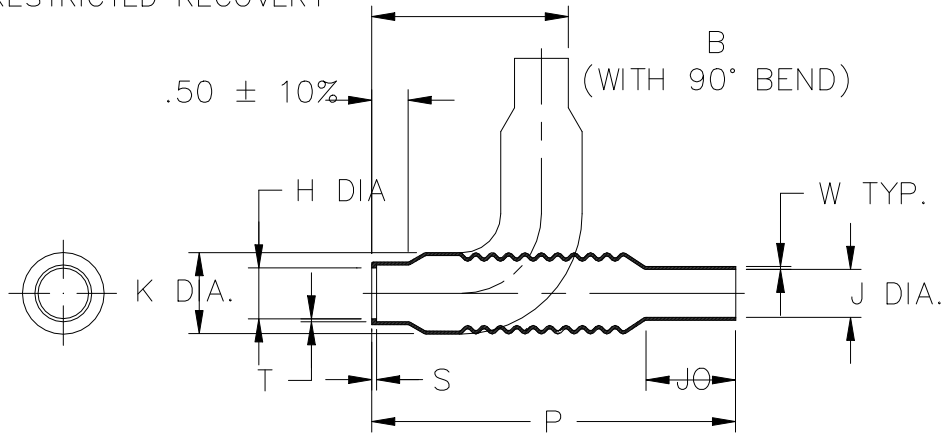


TABLE OF DIMENSIONS

PART NUMBER	H		J			K MAX b	P ±10% b	JO ±10% b	S ±.03 b	T ±.03 b	W MIN b	B REF b	FIT SHIELD ADAPTER ENTRY SIZES	
	MIN	MAX	MIN	MAX	MAX									
	-71 a	50,51,770, 780 a	b	-71 a	50,51,770, 780 a	b	b	b	b	b	b	b		
202C611	.69 [17,5]	.56 [14,2]	.27 [6,9]	.56 [14,2]	.44 [11,2]	.19 [4,8]	.83 [21,1]	4.75 [120,7]	.69 [17,5]	.06 [1,52]	.05 [1,27]	.013 [0,33]	2.46 [62,5]	03 THRU 05
202C621	1.04 [26,4]	.88 [22,4]	.46 [11,7]	1.04 [26,4]	.70 [17,8]	.32 [8,1]	1.05 [26,7]	5.25 [133,4]	.78 [19,8]	.06 [1,52]	.05 [1,27]	.018 [0,46]	2.67 [67,8]	06 THRU 09
202C632	1.50 [38,1]	1.34 [34,0]	.69 [17,5]	1.50 [38,1]	1.06 [26,9]	.50 [12,7]	1.29 [32,8]	5.75 [146,1]	.88 [22,4]	.07 [1,78]	.05 [1,27]	.020 [0,51]	2.89 [73,4]	10 THRU 12
202C642	1.88 [47,8]	1.74 [44,2]	.88 [22,4]	1.88 [47,8]	1.44 [36,6]	.69 [17,5]	1.49 [37,8]	6.25 [158,8]	1.00 [25,4]	.07 [1,78]	.05 [1,27]	.024 [0,61]	3.08 [78,2]	13 THRU 17
202C653	2.16 [54,9]	2.12 [53,8]	1.10 [27,9]	2.16 [54,9]	1.80 [45,7]	.88 [22,4]	1.69 [42,9]	6.75 [171,5]	1.12 [28,4]	.07 [1,78]	.08 [2,03]	.024 [0,61]	3.26 [82,8]	18 THRU 25
202C663	3.04 [77,2]	2.25 [57,2]	1.60 [40,6]	2.15 [54,6]	2.25 [57,2]	.90 [22,9]	2.45 [62,2]	9.30 [236,2]	1.38 [35,1]	.08 [2,03]	.08 [2,03]	.026 [0,66]	5.45 [138,4]	26 THRU 28

TE Connectivity. All Rights Reserved.


2023

©

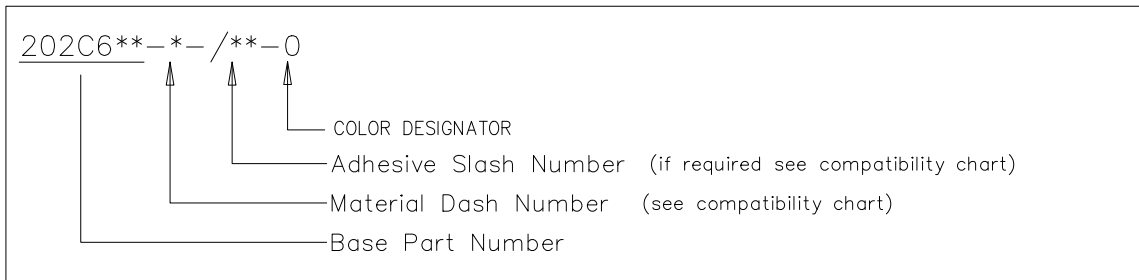
DIMENSIONS: INCHES	DWN	M MAZARIEGOS	14DEC2023	MATERIAL	-	FINISH	-				
	CHK	C LIMA	-	TE Connectivity							
TOLERANCES UNLESS OTHERWISE SPECIFIED:	APVD	L RODRIGUEZ	-								
	0 PLC	± -	PRODUCT SPEC	-	NAME	UNI-BOOT					
1 PLC	± -	APPLICATION SPEC	-	SIZE	A4	CAGE CODE	06090	DRAWING NO	202C611THRU663	RESTRICTED TO	-
2 PLC	± -	WEIGHT	0	SCALE	DNS	SHEET	1 OF 2	REV	AA1		
3 PLC	± -	CUSTOMER DRAWING		SCALE		SHEET		REV			
4 PLC	± -										
ANGLES	± -										

REVISIONS				
P	LTR	DESCRIPTION	DATE	APVD
-	-	SEE SHEET 1	-	-



COMPATIBILITY CHART

Material Dash Number	Material Description	SPEC Number	Coating Slash Number
-50	FLEXIBLE VPB	RT-1313	/86, /164
-51	FLEXIBLE EPB	RT-1321	/86, /164
-71	FLEXIBLE POLYOLEFIN	RT-1316	/42, /86, /180
-770	NBCCS	RT-770 TYPE II	
-780 	NBCCS	RT-780 TYPE II	

Ordering Information





NOTES:

- ALL DIMENSIONS ARE IN $\frac{\text{INCHES}}{[\text{MILLIMETERS}]}$
- DIMENSIONS APPEARING IN TABLE ARE AS FOLLOWS:
 - a - AS SUPPLIED
 - b - AFTER UNRESTRICTED RECOVERY
-  COATING (ADHESIVE): IS OPTIONAL AS SUPPLIED DIMENSIONS APPEARING IN TABLE ARE FOR UNCOATED PARTS. WHEN COATING IS ADDED, ENTRY DIAMETER WILL BE REDUCED BY .06 MAX.
- "S" AND "T" DIMENSIONS APPLY TO A MINIMUM OF 240° OF THE CIRCUMFERENCE.
-  MATERIAL -780 IS AVAILABLE FOR PART NO. 202C611 ONLY

TE Connectivity. All Rights Reserved. 2023



DIMENSIONS: INCHES	DWN	14DEC2023	MATERIAL	-	FINISH	-
	CHK	-	 TE Connectivity			
TOLERANCES UNLESS OTHERWISE SPECIFIED:	APVD	-				
0 PLC ± -	PRODUCT SPEC	-	NAME			
1 PLC ± -	APPLICATION SPEC	-	SIZE	CAGE CODE	DRAWING NO	RESTRICTED TO
2 PLC ± -			A4	00779	 202C611THRU663	-
3 PLC ± -			WEIGHT 0.000000			
4 PLC ± -			CUSTOMER DRAWING			
ANGLES ± -			SCALE	DNS	SHEET 2 OF 2	REV AA1



Mouser Electronics

Authorized Distributor

Click to View Pricing, Inventory, Delivery & Lifecycle Information:

[TE Connectivity:](#)

[202C653-51/86-0](#) [202C642-51-06-0](#) [202C621-50-05-0](#) [202C642-71-0-CS5688](#) [202C611-51-0-CS8570](#) [202C653-51/164-0-CS7134](#) [202C642-71/42-0-CS5818](#) [202C632-51-0-CS5673](#) [202C632-51-0-CS8570](#) [202C642-51-0-CS8430](#) [202C653-50-0-CS8187](#) [202C621-51/164-0-CS8570](#) [202C642-71-0-CS6295](#) [202C632-71-0-CS5375](#) [202C621-51/164-0-CS7134](#) [202C611-71-0-CS5688](#) [202C642-50-0-CS8187](#) [202C611-51-0-CS8430](#) [202C632-51/164-0-CS7134](#) [202C621-71/180-0](#) [202C611-50-0-CS8187](#) [202C632-71/42-0-CS5818](#) [202C621-51-0-CS8692](#) [202C663-51-0-CS5614](#) [202C611-51/164-0-CS7134](#) [202C611-51-0-CS5325](#) [202C642-50-0-CS5256](#) [202C653-71-0-CS8208](#) [202C642-51/164-0-CS8570](#) [202C611-50-0-CS5256](#) [202C632-50-0-CS5256](#) [202C621-51-0-CS8430](#) [202C621-71/42-0-CS5818](#) [202C632-51/164-0-CS8570](#) [202C663-51/86-0](#) [202C632-51-0-CS8430](#) [CR5260-000](#) [202C642-71-0-CS8214](#) [202C621-50-0-CS5256](#) [806235N002](#) [202C621-51-0-CS5673](#) [202C653-71/86-0](#) [202C632-51-0-CS8692](#) [CM8080-000](#) [202C653-71-0-CS5349](#) [806234N003](#) [202C642-51-0-CS8570](#) [202C621-51-0-CS8570](#) [202C621-71-0-CS5688](#) [202C642-51/164-0-CS1821](#) [202C621-71-0-CS8395](#)