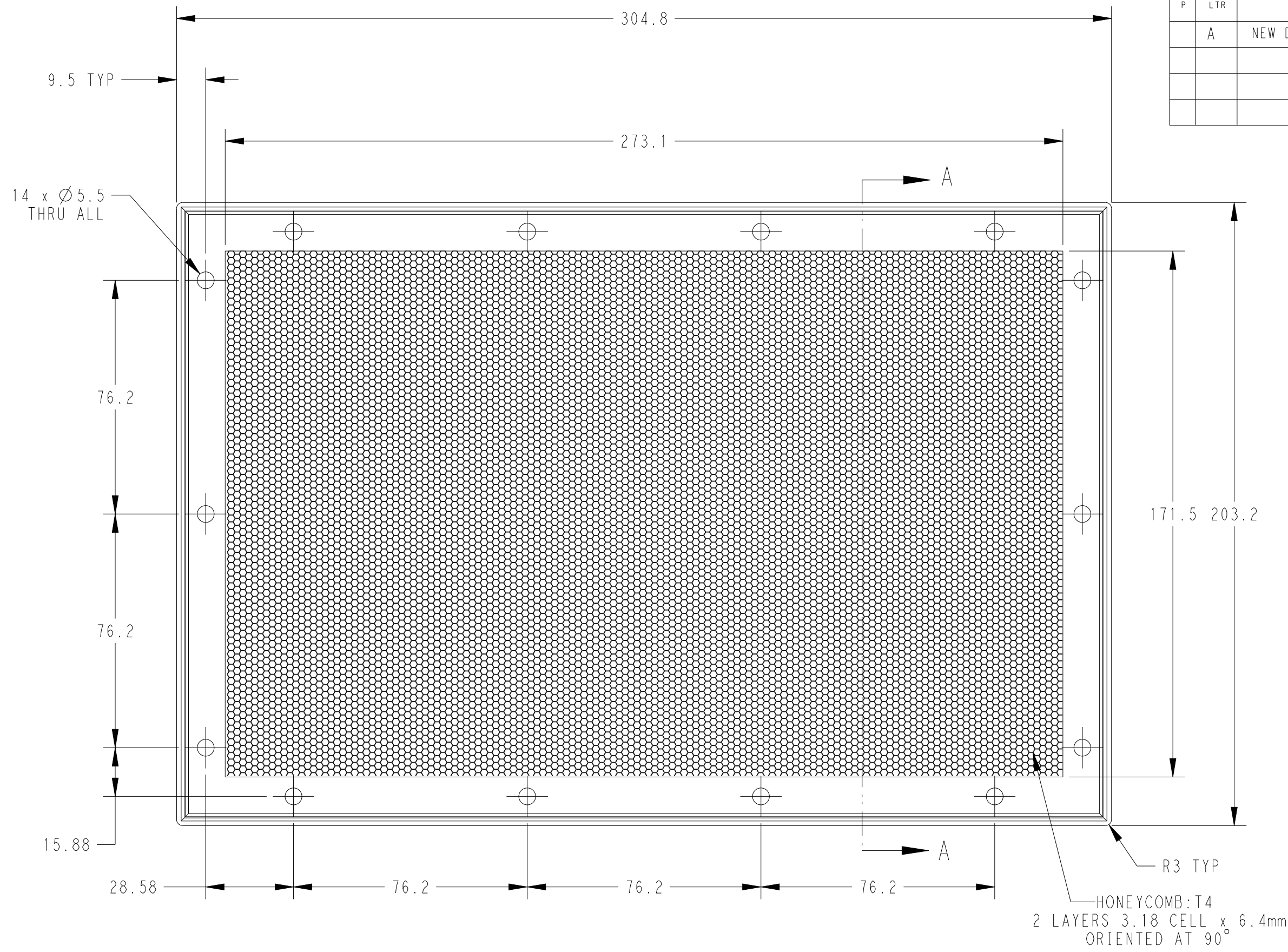
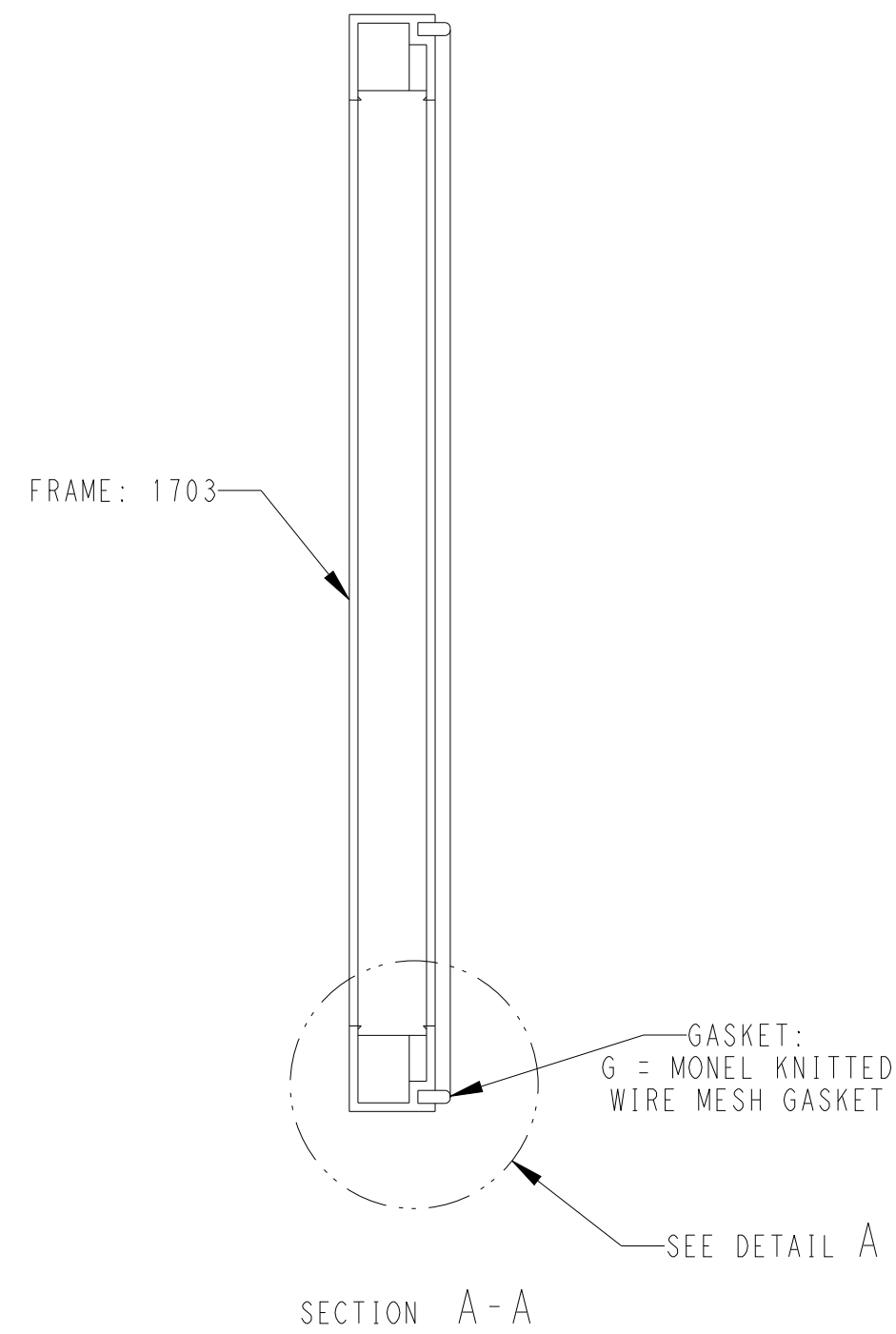
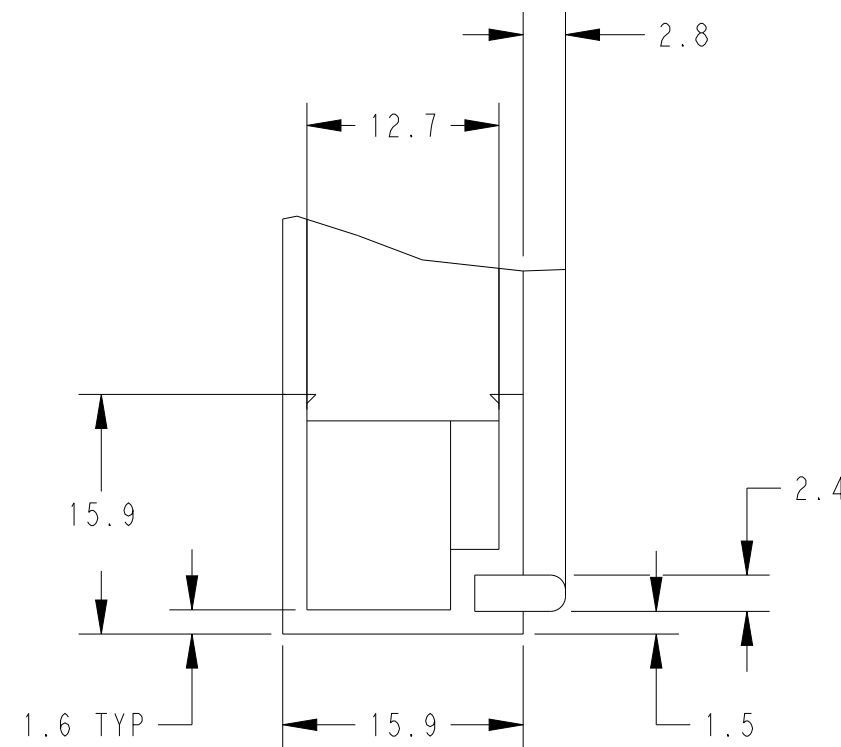
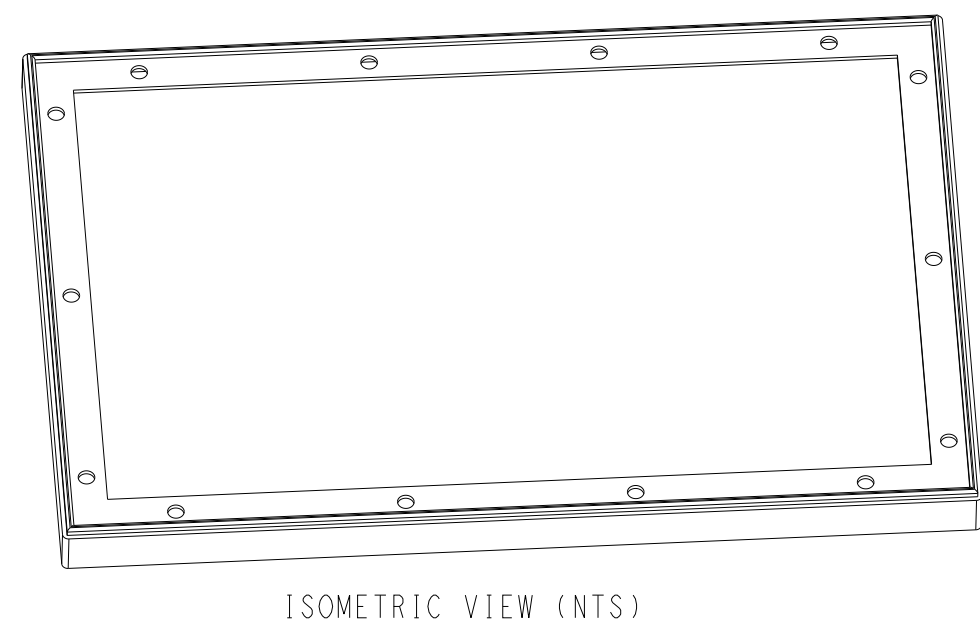


P	LTR	DESCRIPTION	DATE	DWN	APVD
A		NEW DRAWING	10JUN2024	AN	JC



GENERAL TOLERANCES:  
 LINEAR:  $\pm 0.8$   
 HOLE CENTRES:  $\pm 0.5$   
 ANGULAR:  $\pm 0.5^\circ$



DETAIL A  
SCALE 2:1

THIS DRAWING IS A CONTROLLED DOCUMENT.

DIMENSIONS:	TOLERANCES UNLESS OTHERWISE SPECIFIED
mm	
0 PLC	$\pm 1$
1 PLC	$\pm 0.1$
2 PLC	$\pm 0.01$
3 PLC	$\pm 0.001$
4 PLC	$\pm 0.0001$
ANGLES	$\pm$
FINISH	
MATERIAL	SEE TABLE
FINISH	SEE TABLE

SURTEC 650	ALUMINIUM	1703-3048-2032-T4-S-TH-G	2489068-1
FINISH	MATERIAL	ALIAS PART NUMBER	PART NUMBER
DWN: AYESHABANU N CHK: BASAVARAJA D A APVD: JAMES CAVILL PRODUCT SPEC: - APPLICATION SPEC: - WEIGHT: -		NAME: AL-HONEYCOMB-1703-304.8mm X 203.2mm SIZE: A2 CAGE CODE: 00779 DRAWING NO: C-1703-3048-2032 RESTRICTED TO: -	
MATERIAL: SEE TABLE		FINISH: SEE TABLE	
CUSTOMER DRAWING		SCALE: 1:4	SHEET 1 OF 1 REV A

# Mouser Electronics

Authorized Distributor

Click to View Pricing, Inventory, Delivery & Lifecycle Information:

[TE Connectivity:](#)

[2489068-1](#)