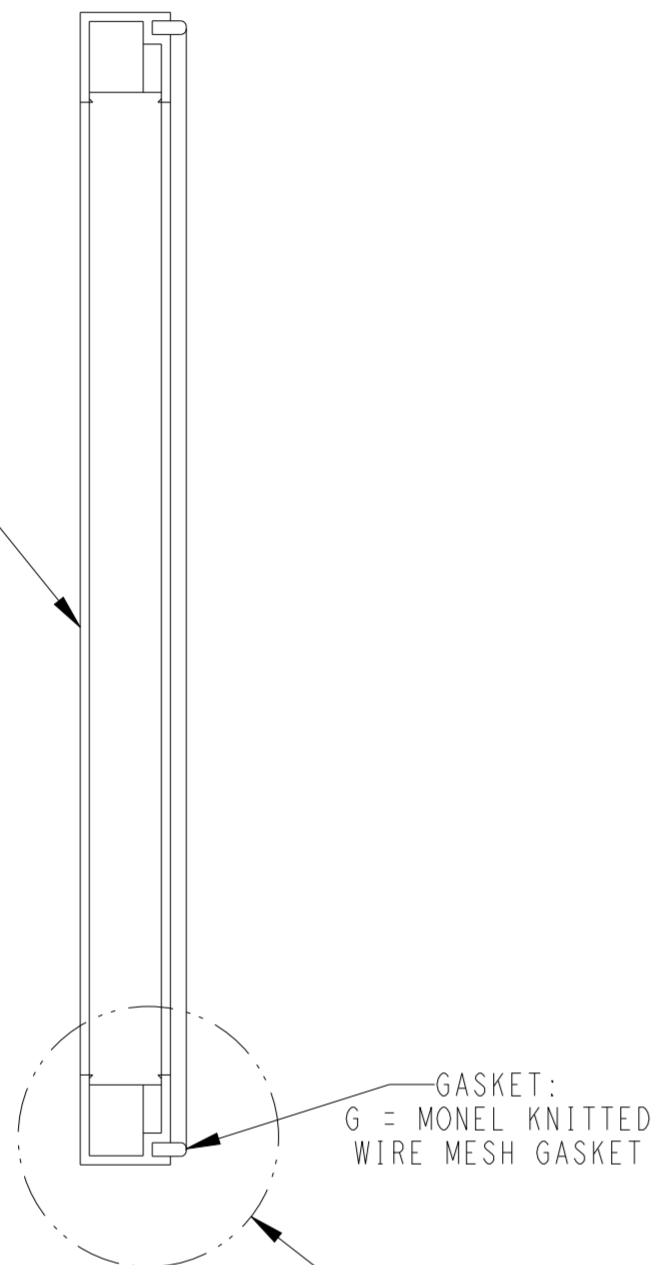


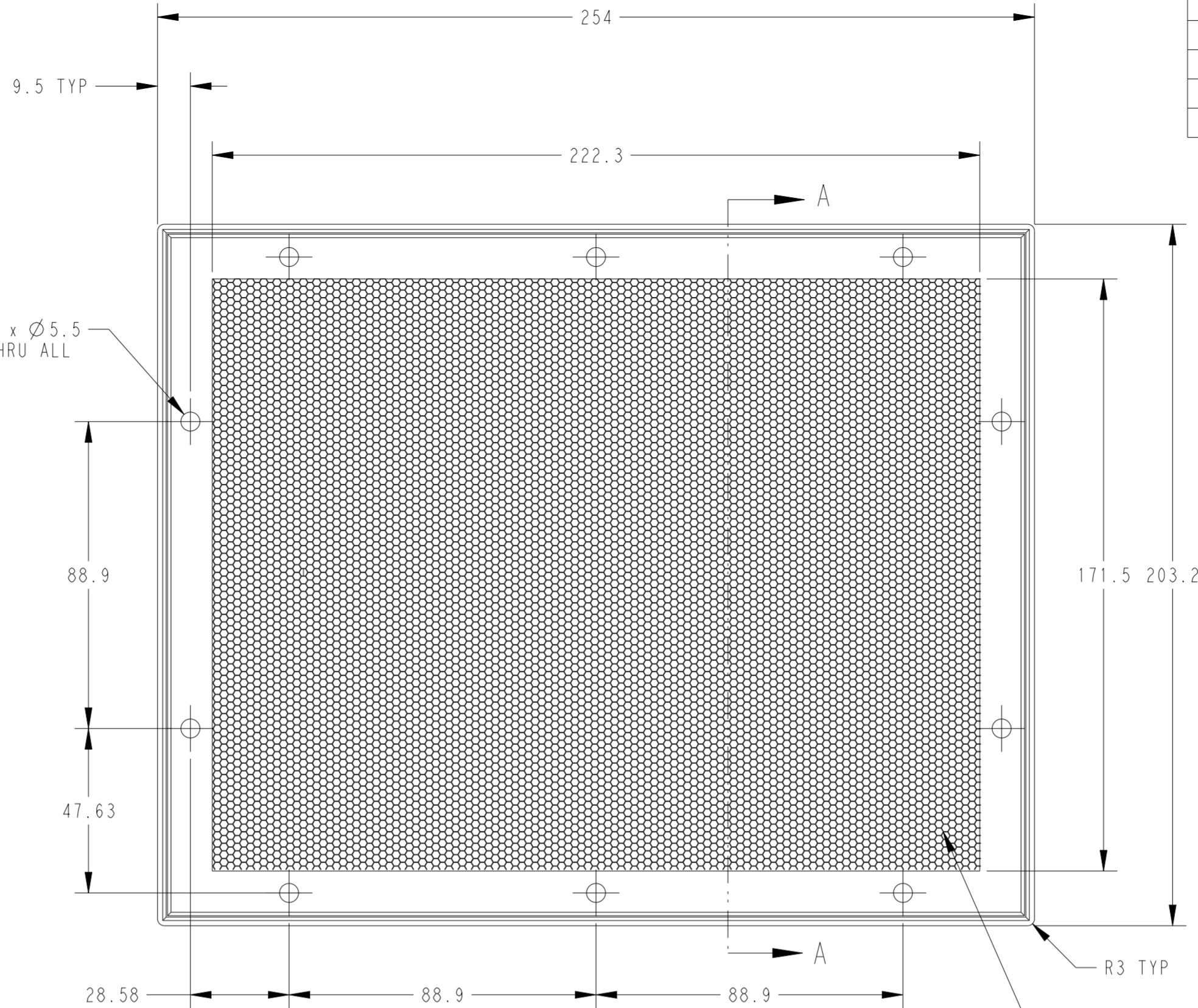
P	LTR	DESCRIPTION	DATE	DWN	APVD
A		NEW DRAWING	10JUN2024	AN	JC

FRAME: 1703



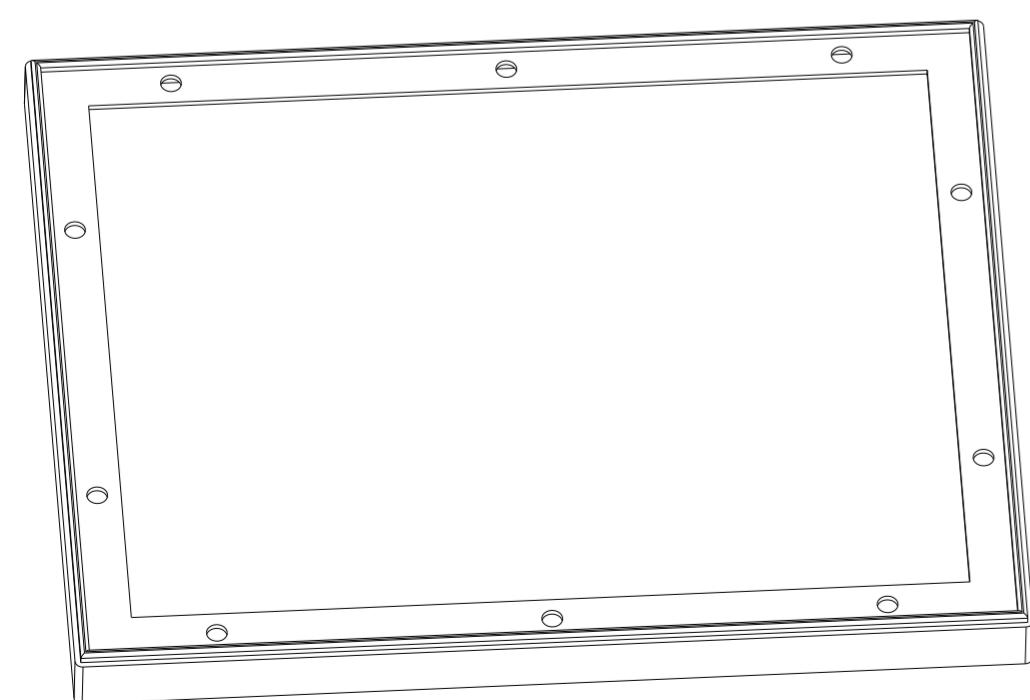
SECTION A-A

10 x Ø5.5
THRU ALL

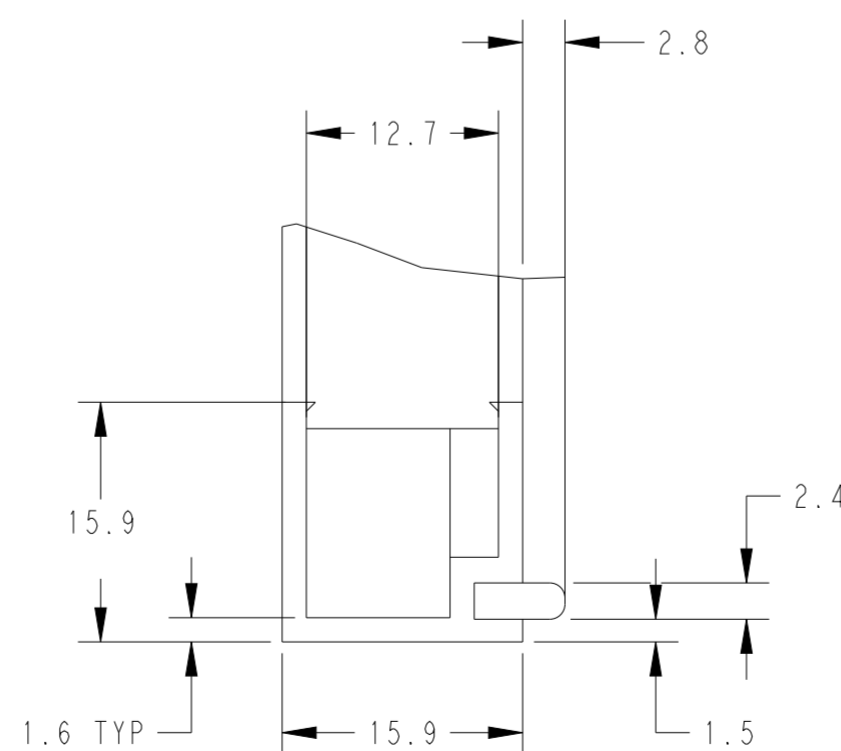


GENERAL TOLERANCES:
LINEAR: ±0.8
HOLE CENTRES: ±0.5
ANGULAR: ±0.5°

HONEYCOMB: T4
2 LAYERS 3.18 CELL x 6.4mm
ORIENTED AT 90°



ISOMETRIC VIEW (NTS)



DETAIL A
SCALE 2:1

THIS DRAWING IS A CONTROLLED DOCUMENT.

DIMENSIONS:	TOLERANCES UNLESS OTHERWISE SPECIFIED:
mm	
0 PLC	±
1 PLC	±0.1
2 PLC	±0.01
3 PLC	±0.001
4 PLC	±0.0001
ANGLES	±
FINISH	SEE TABLE
MATERIAL	SEE TABLE

SURTEC 650	ALUMINIUM	1703-2540-2032-T4-S-TH-G	2489067-1
FINISH	MATERIAL	ALIAS PART NUMBER	PART NUMBER
DWN AYESHABANU N 10 JUN 2024 CHK BASAVARAJA D A 10 JUN 2024 APVD JAMES CAVILL 10 JUN 2024		NAME AL-HONEYCOMB-1703-254mm X 203.2mm PRODUCT SPEC - APPLICATION SPEC - WEIGHT -	
SIZE A2	CAGE CODE 00779	DRAWING NO C-1703-2540-2032	RESTRICTED TO -
CUSTOMER DRAWING		SCALE 1:4	SHEET 1 OF 1 REV A

Mouser Electronics

Authorized Distributor

Click to View Pricing, Inventory, Delivery & Lifecycle Information:

[TE Connectivity:](#)

[2489067-1](#)