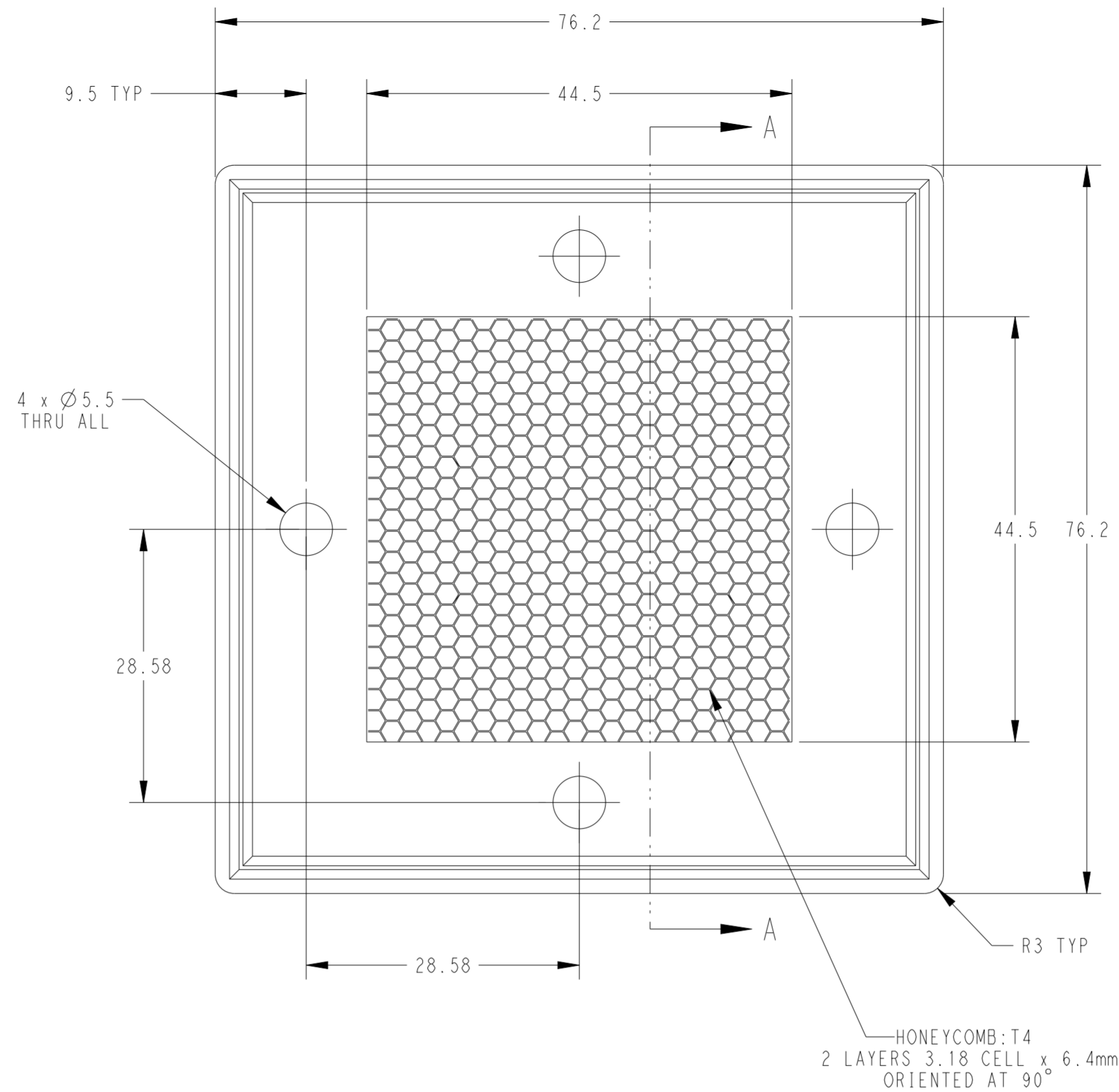
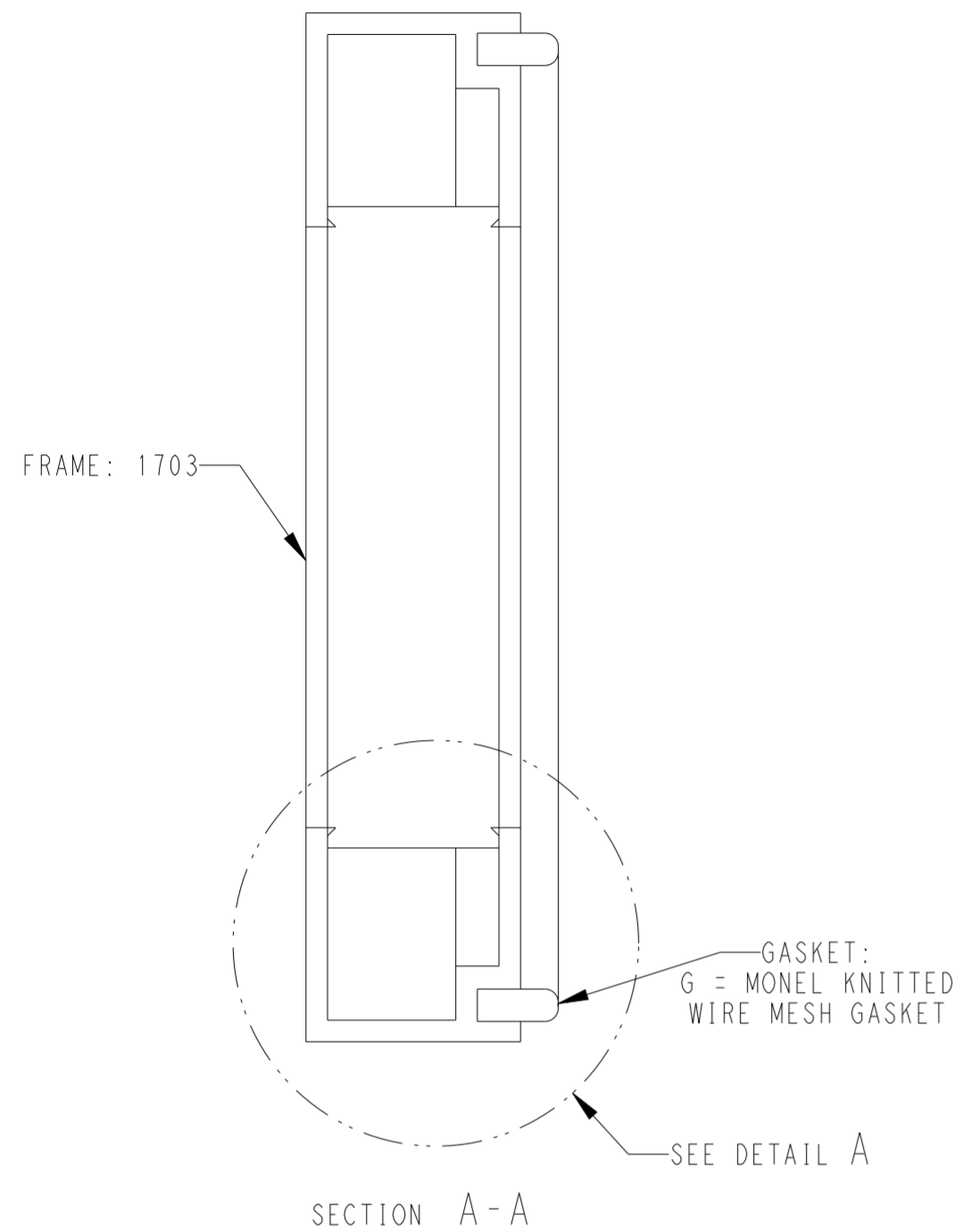
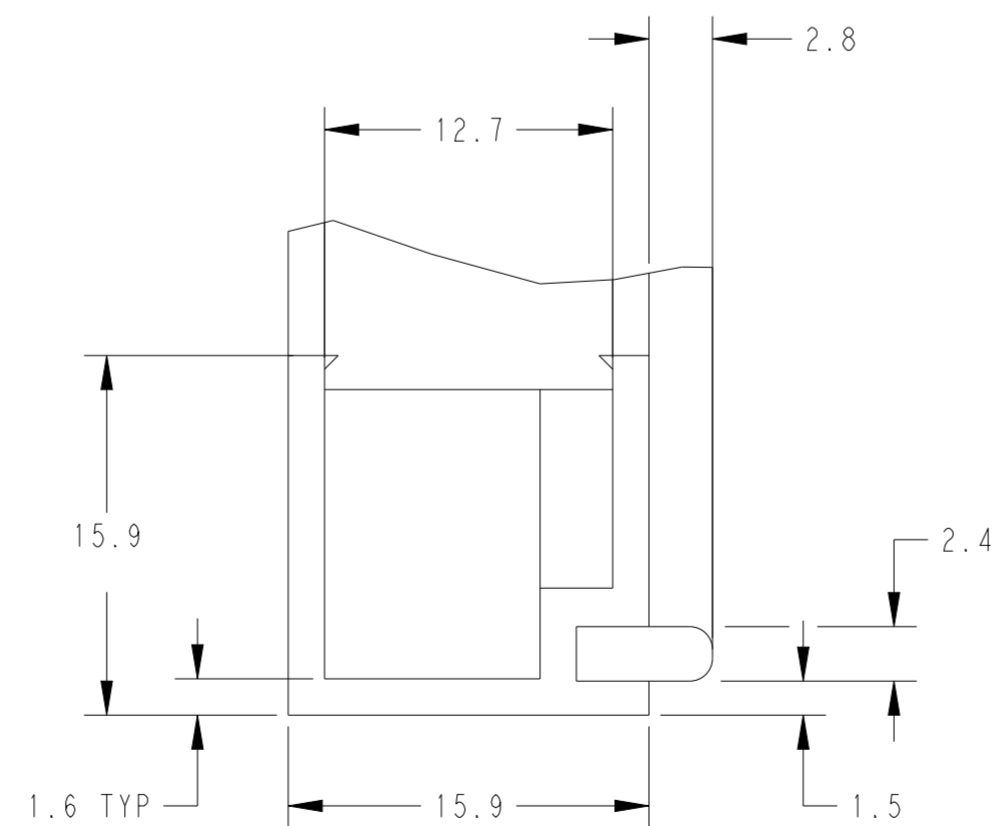
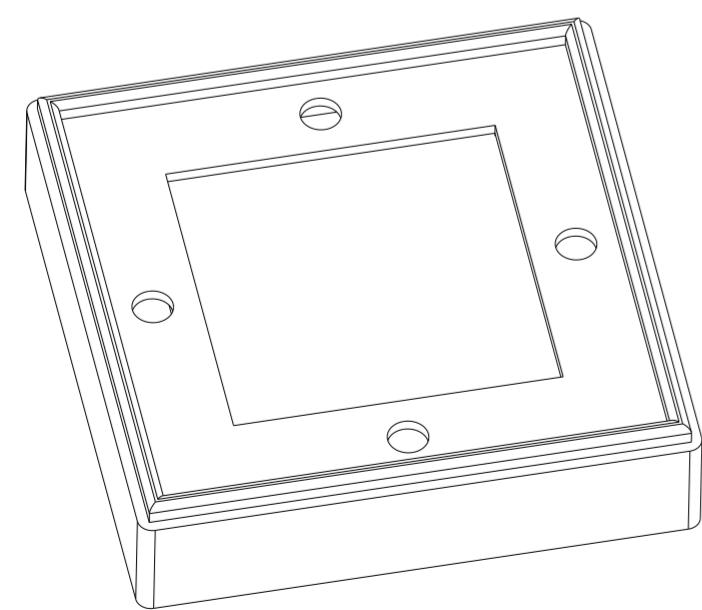


P	LTR	DESCRIPTION	DATE	DWN	APVD
A		NEW DRAWING	10JUN2024	AN	JC



GENERAL TOLERANCES:
LINEAR: ±0.8
HOLE CENTRES: ±0.5
ANGULAR: ±0.5°



DETAIL A
SCALE 3:1

SURTEC 650	ALUMINIUM	1703-0762-0762-T4-S-TH-G	2489055-1
FINISH	MATERIAL	ALIAS PART NUMBER	PART NUMBER

THIS DRAWING IS A CONTROLLED DOCUMENT.

DIMENSIONS:	TOLERANCES UNLESS OTHERWISE SPECIFIED
mm	
0 PLC	±
1 PLC	±0.1
2 PLC	±0.01
3 PLC	±0.001
4 PLC	±0.0001
ANGLES	±
MATERIAL	FINISH
SEE TABLE	SEE TABLE

DWN	10JUN2024	TE Connectivity	AL-HONEYCOMB-1703-76.2mm X 76.2mm		
CHK	10JUN2024				
APVD	10JUN2024				
NAME	JAMES CAVILL				
PRODUCT SPEC	-	SIZE	CAGE CODE	DRAWING NO	RESTRICTED TO
APPLICATION SPEC	-	A2	00779	C-1703-0762-0762	-
WEIGHT	-	CUSTOMER DRAWING	SCALE	SHEET	REV
			2:1	1 OF 1	A

Mouser Electronics

Authorized Distributor

Click to View Pricing, Inventory, Delivery & Lifecycle Information:

[TE Connectivity:](#)

[2489055-1](#)