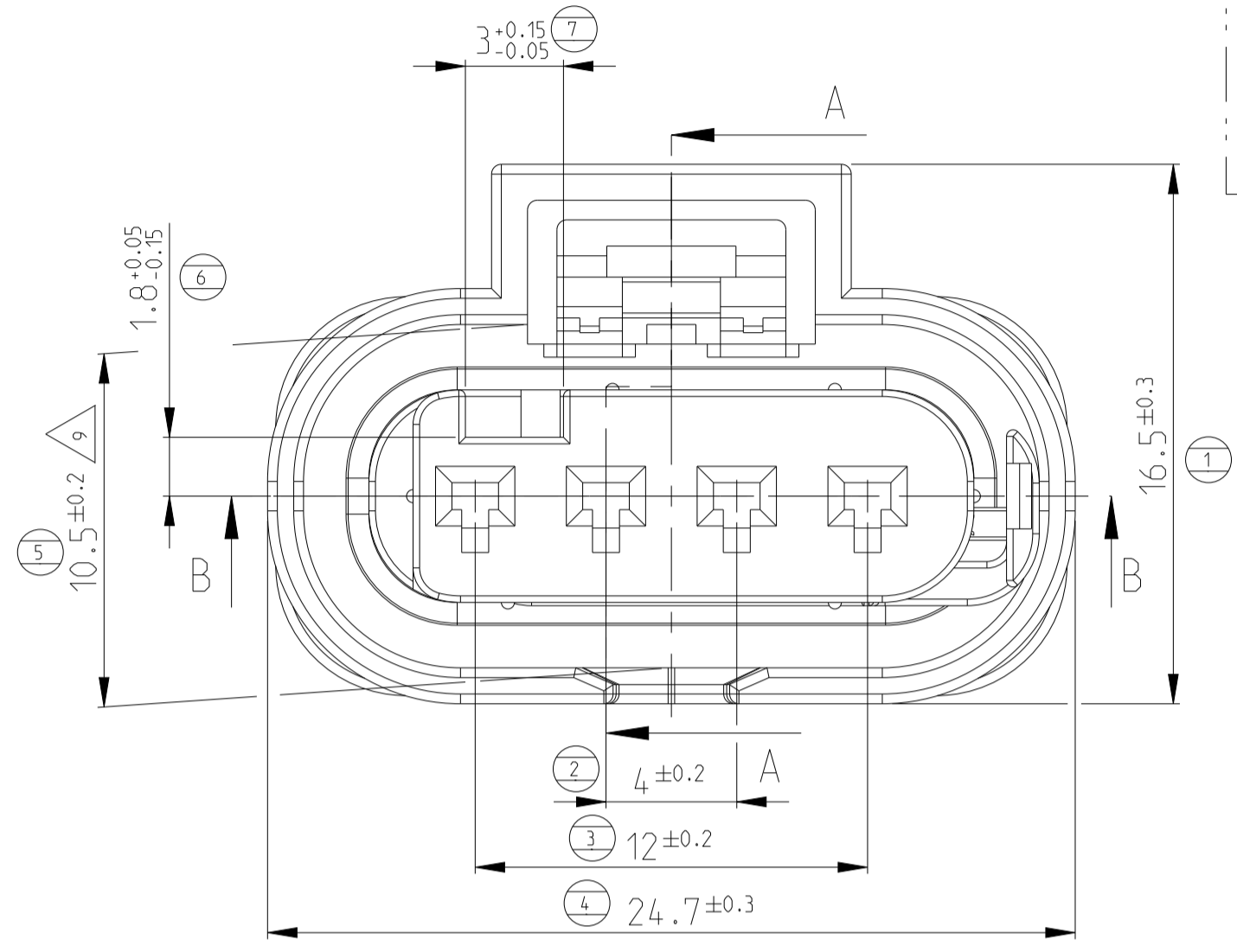
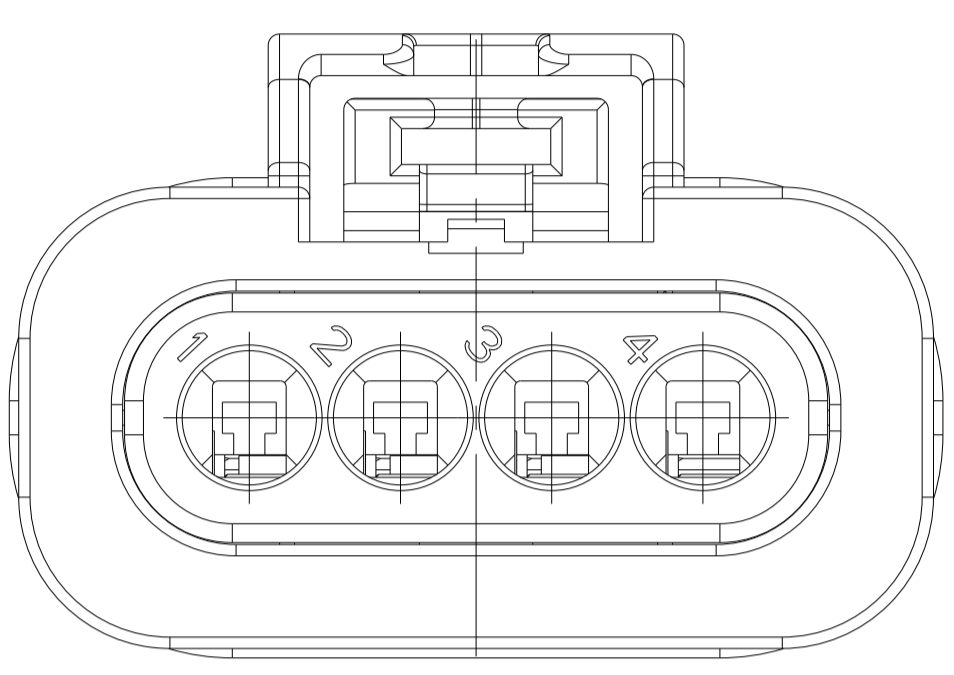
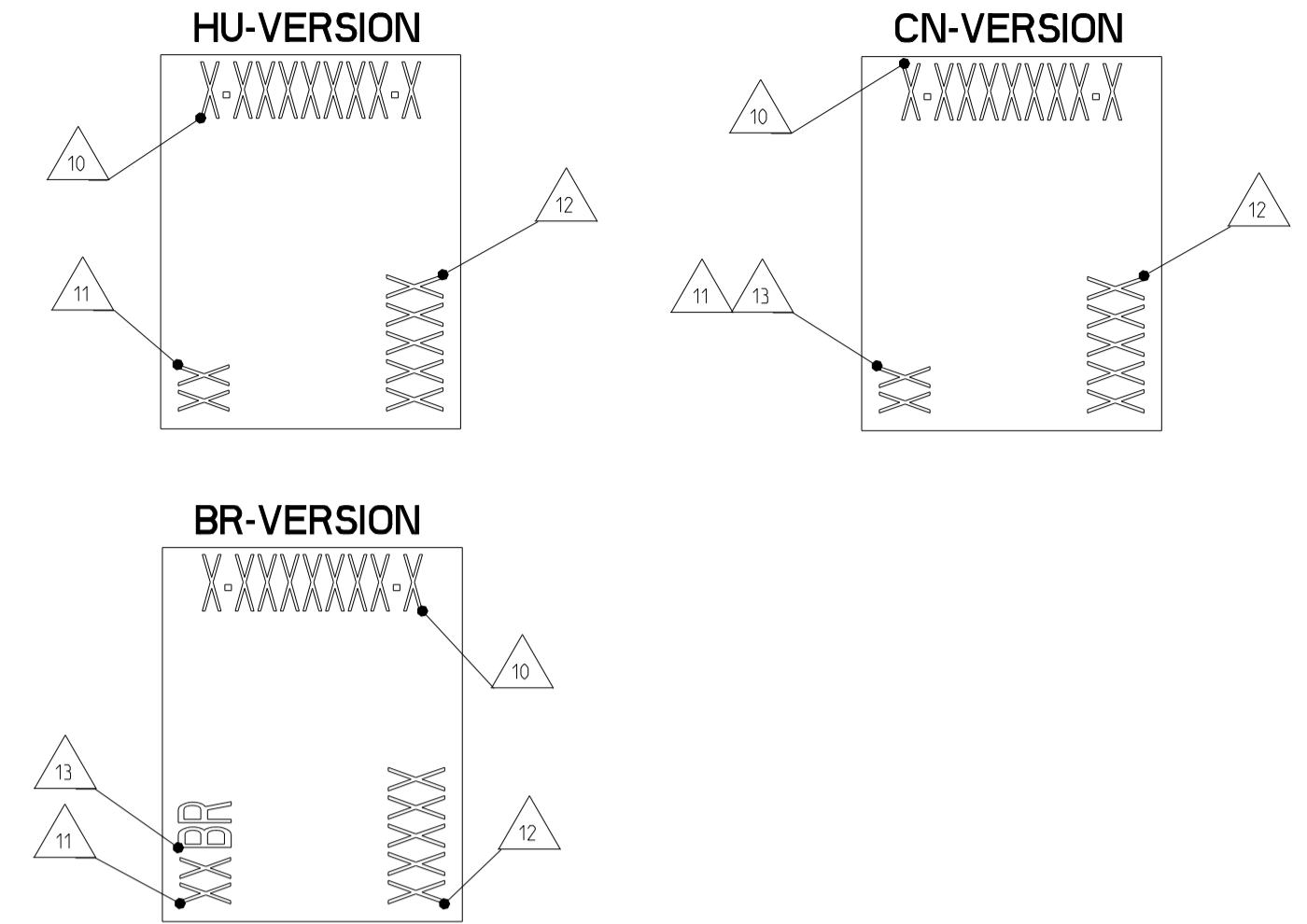
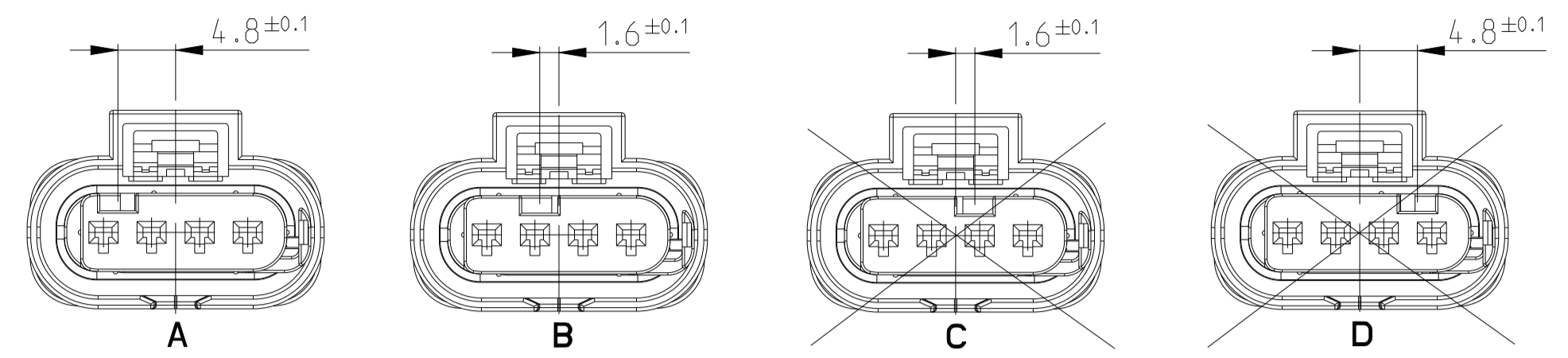


PRINT: 5:1



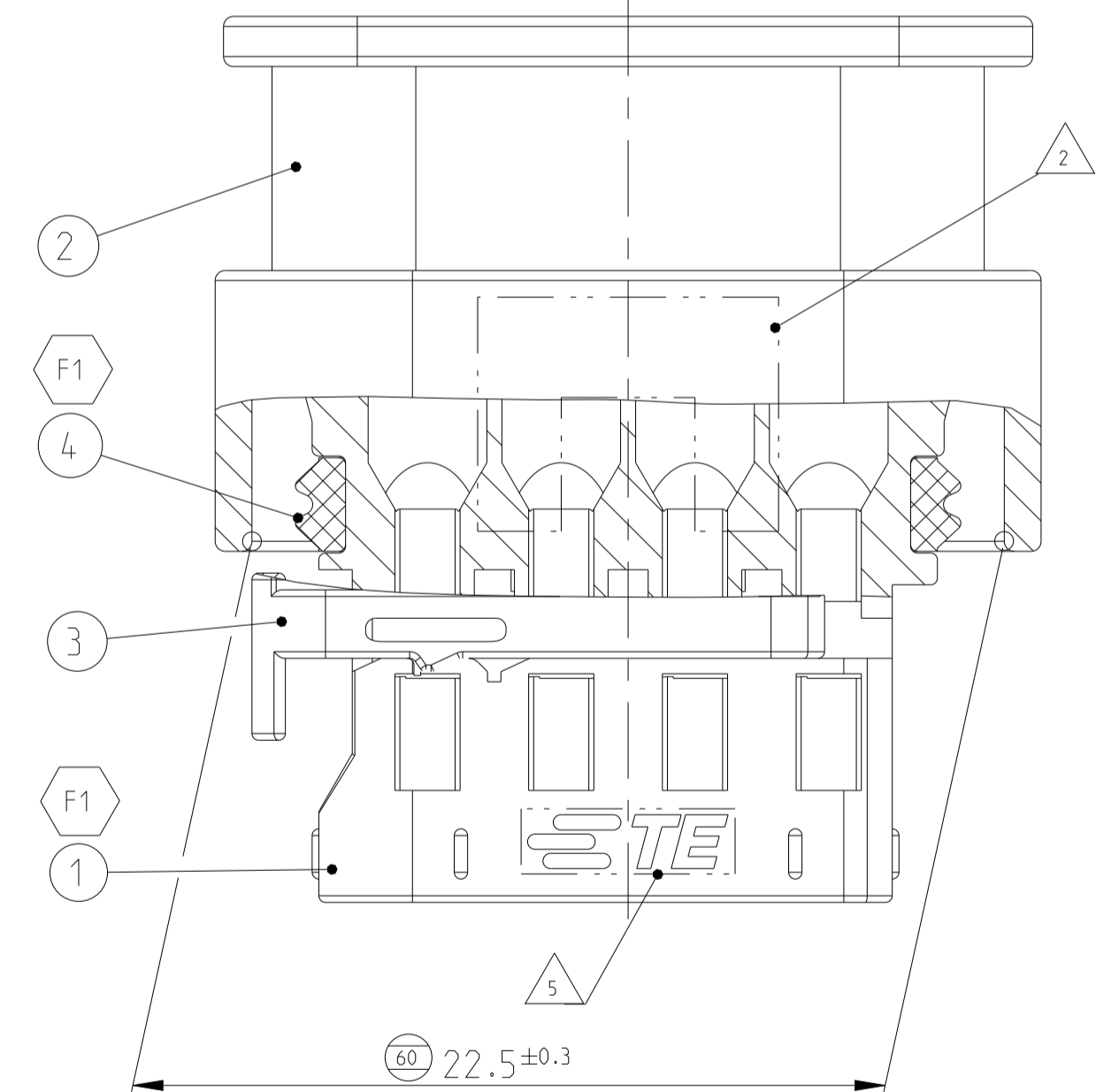
CODINGS M 2:1



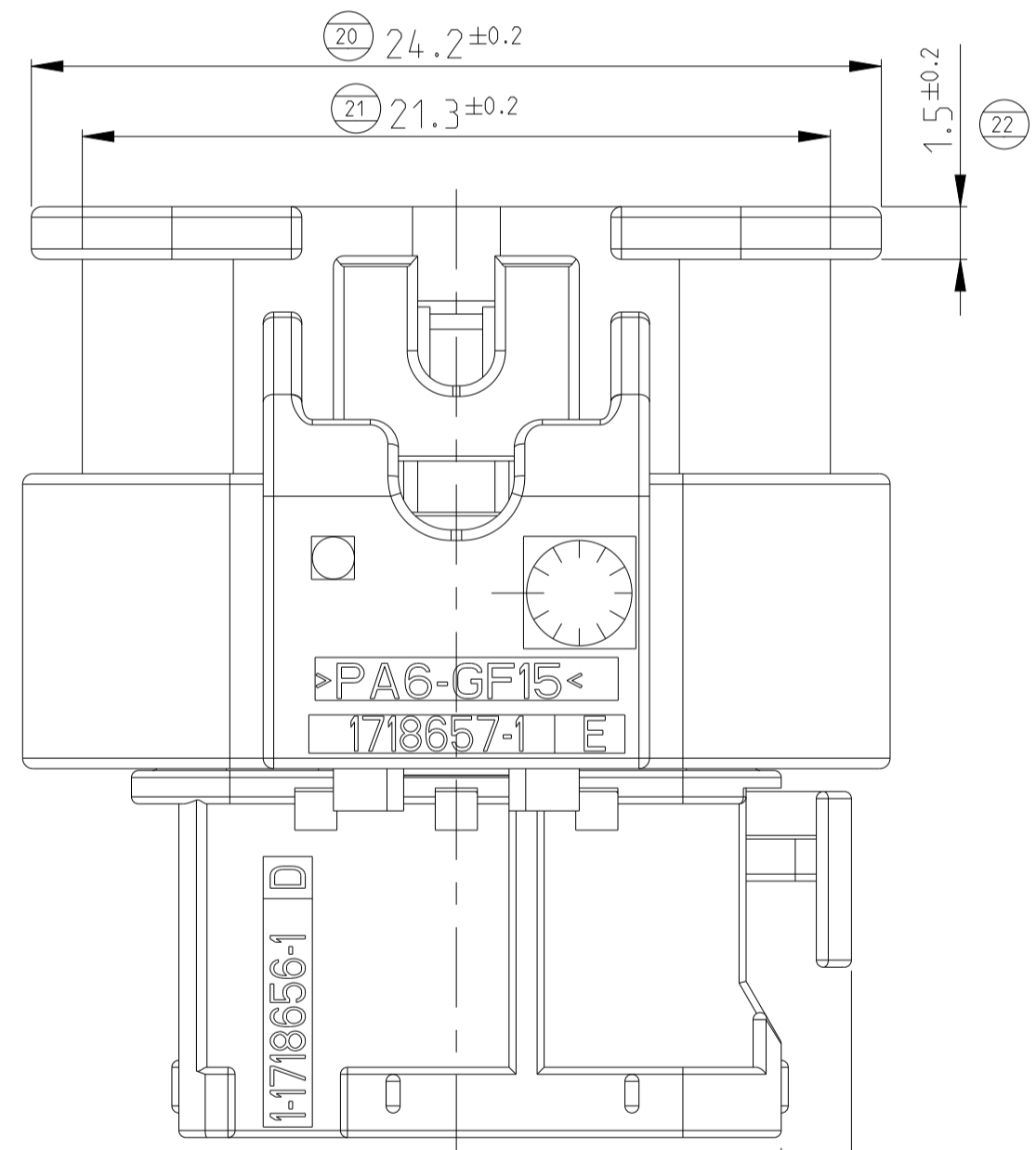
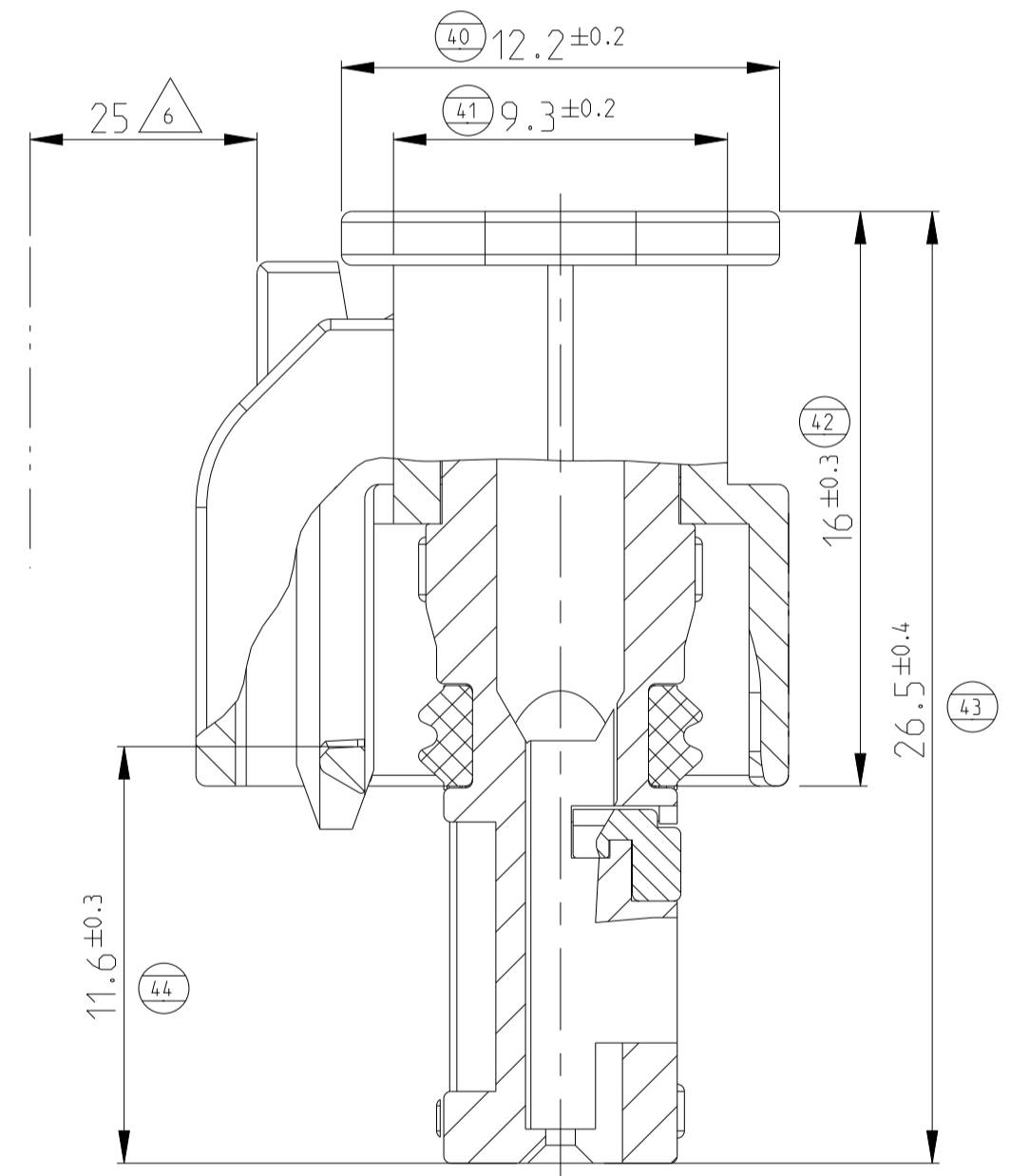
NOTES:

- 1 MAX. WIRE SIZE RANGE 1.0 mm<sup>2</sup> FLR PERMITTED FOR CAVITY-Ø 3.55MM QUANTITY SEE WIRE HARNESS DRAWING FOR PERMISSIBLE CURRENT CARRYING CAPACITY OF THE SINGLE CONTACT SEE PRODUCT SPECIFICATION NO. 108-18782
  - 2 AREA FOR PRINT
  - 3 USABLE CONTACTS MCON 1.2 LL SEE TE-NO. 1452674, SINGLE WIRE SEAL-VERSION
  - 4 ACCORDING TO INTERFACE DRAWING 114-18679-3
  - 5 SUPPLIER-MARK
  - 6 SPACE OF ACTIVITY
  - 7 SUPPLY CONDITION: CPA IN PRELOCKED POSITION
  - 8 SUPPLY CONDITION: RETAINER IN PRELOCKED POSITION
  - 9 WARPAGE PERMITTED TO MAX. -0.5mm
  - 10 TE ORDER-NO.
  - 11 ASSEMBLY LINE SEGMENT IDENTIFICATION
  - 12 DATE CODE (DDYY)
  - 13 DIVERGENT MARKING FOR PARTS FROM CHINESE AND U.S. PRODUCTION
- 1-...-1 AS SHOWN

B-B



A-A

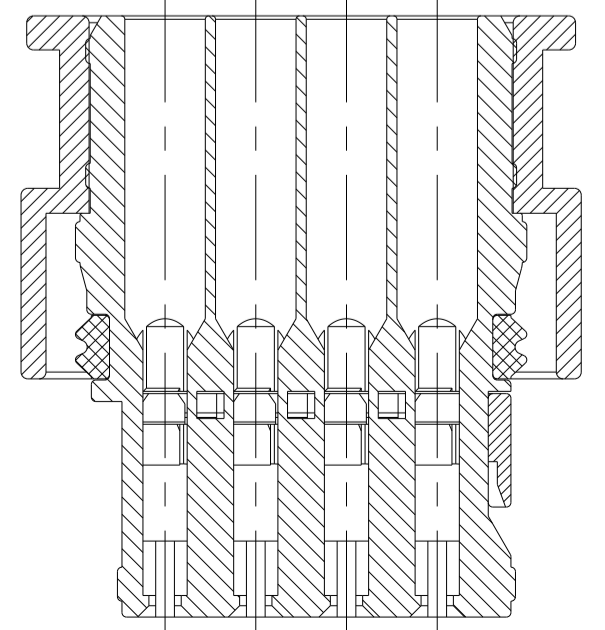


MOVING AREA OF THE RETAINER

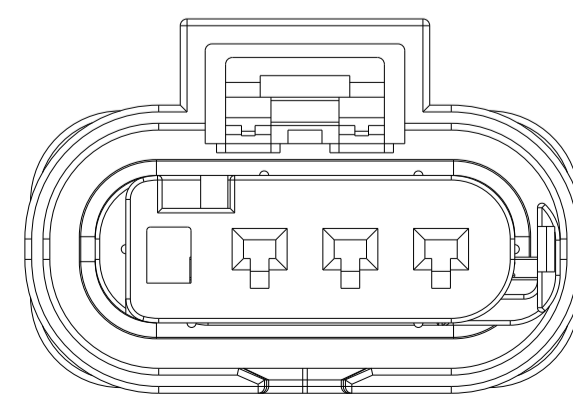
TE-ORDER-NO.	COD	DEFINITION	REV	QTY	DEFINITION	MATERIAL	SURFACE/COLOUR	ITEM
1-1670918-5	A	4pos. MCON 1.2 - LL Connector, Sealed	E	1	4pos. MCON 1.2 - Seal	MVQ	NATURE	4
				1	4pos. MCON 1.2 - Retainer	PA66-GF15	VIOLET	3
				1	4pos. MCON 1.2 - Protec. Cover	PA6-GF15	BLACK	2
2-1670918-1	B	4pos. MCON 1.2 - LL Connector, Sealed	F	1	4pos. MCON 1.2 - Seal	MVQ	NATURE	4
				1	4pos. MCON 1.2 - Retainer	PA66-GF15	VIOLET	3
				1	4pos. MCON 1.2 - Protec. Cover	PA6-GF15	BLACK	2
1-1670918-1	A	4pos. MCON 1.2 - LL Connector, Sealed	F1	1	4pos. MCON 1.2 - Rec. Housing	PA66-GF30	NATURE	1
				1	4pos. MCON 1.2 - Seal	MVQ	NATURE	4
				1	4pos. MCON 1.2 - Retainer	PA66-GF15	VIOLET	3
1-1670918-1	A	4pos. MCON 1.2 - LL Connector, Sealed	E	1	4pos. MCON 1.2 - Protec. Cover	PA6-GF15	BLACK	2
				1	4pos. MCON 1.2 - Rec. Housing	PA66-GF30	BLACK	1

RETAINER IN END POSITION

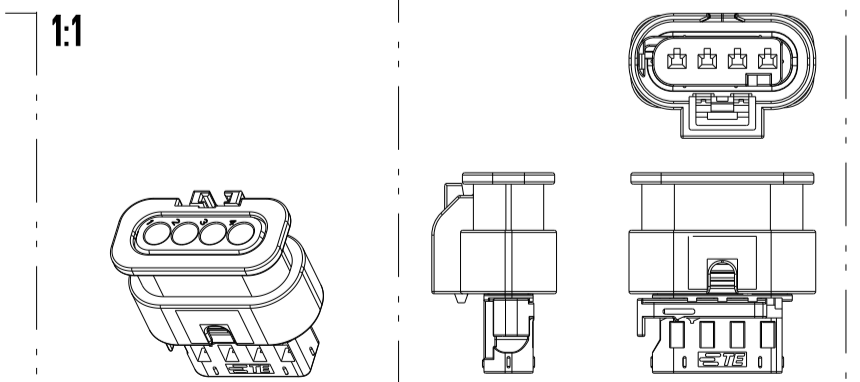
B-B 3:1



1-1670918-5  
CAV. 4 CLOSED  
3:1



3D VIEW



DIMENSIONS: mm		TOLERANCES UNLESS OTHERWISE SPECIFIED	
0 PLC	±0.1	1 PLC	±0.05
1 PLC	±0.05	2 PLC	±0.02
2 PLC	±0.02	3 PLC	±0.01
3 PLC	±0.01	4 PLC	±0.005
4 PLC	±0.005	ANGLES	±0.5°
MATERIAL		FINISH	
-		-	

TE Connectivity		19DEC2006	
R. Bachmann		-	
APVD		-	
PRODUCT SPEC		-	
108-18969		-	
APPLICATION SPEC		-	
114-18861		-	
WEIGHT 5 g		-	
RESTRICTED CUSTOMER		-	
NAME	4pos. MCON 1.2 - LL Connector, Sealed		
SIZE	CAGE CODE	DRAWING NO.	RESTRICTED TO
A1	00779	1670918	REV F1
SCALE	5:1	SHEET	1 OF 1

# Mouser Electronics

Authorized Distributor

Click to View Pricing, Inventory, Delivery & Lifecycle Information:

[TE Connectivity:](#)

[2-1670918-1](#)