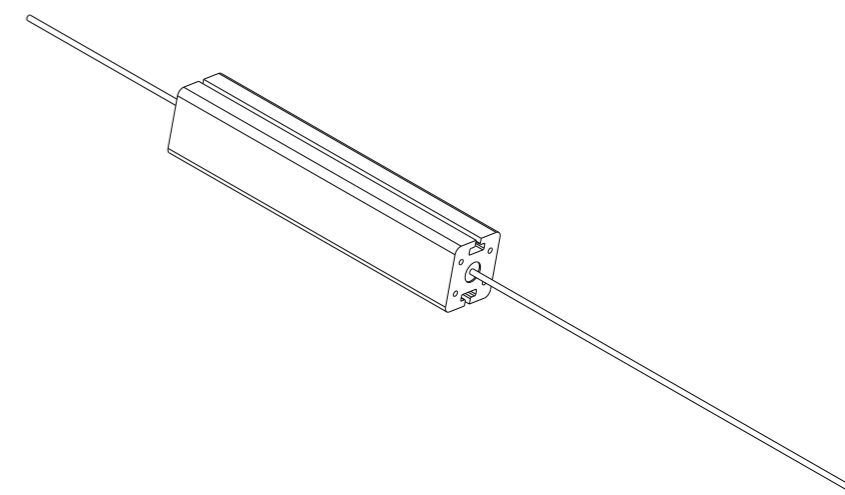
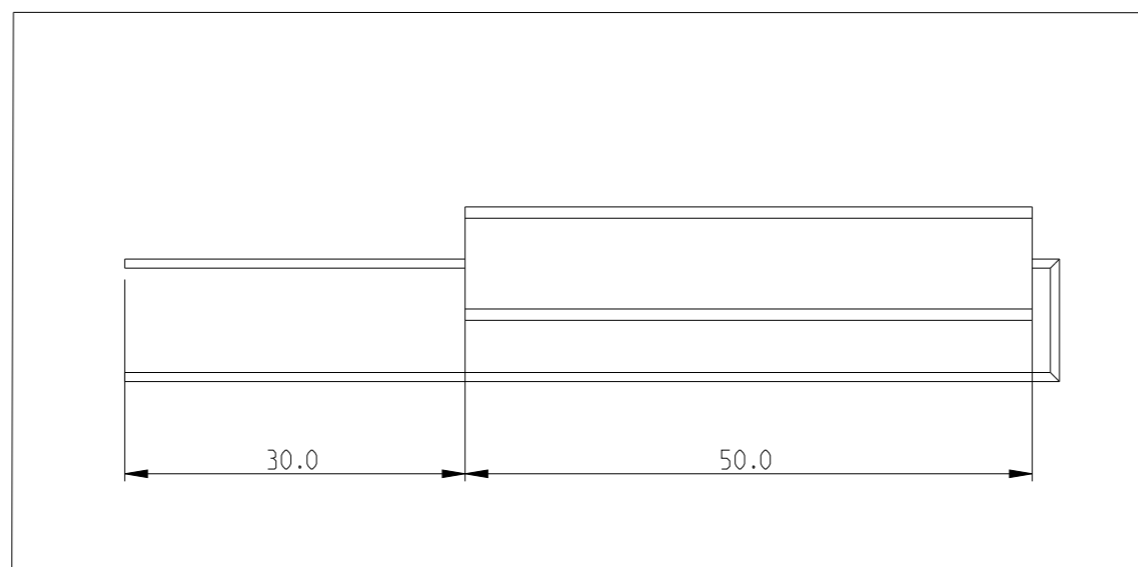


REVISIONS

P	LTR	DESCRIPTION	DATE	DWN	APVD
	BA1	ECR-17-011125	01AUG2017	RK	TN
	BA2	CLARIFICATION NOTE ADDED	18APR2022	DM	AP
	BA3	NEW PN ADDED TO SCHEDULE	29JAN2024	SP	AP
	BA4	NEW NOTE 3 AND PRODUCT VIEW ADDED	15MAY2024	DM	SR



RoHS Compliant



NOTES

- FOR FURTHER INFORMATION SEE DATA SHEET FOR SERIES TYPE SBC(SQUARE CERAMIC), HIGH POWER RESISTORS
- THE HOLES AND FLUTES SHOWN IN THE CERAMIC CASING ARE PURELY FOR MOUNTING PURPOSES AND DO NOT IN ANY WAY AFFECT THE DISSIPATION CAPABILITIES OF THE RESISTOR. THEY CAN OFTEN BECOME BLOCKED DURING THE MANUFACTURING PROCESS. THIS WILL NOT AFFECT THE PERFORMANCE IN ANY WAY.
- SUPPLIED WITH ONE LONGER LEAD WRAPPED BACK IN FLUTE IN CERAMIC.

THIS DRAWING IS A CONTROLLED DOCUMENT.

DIMENSIONS:		TOLERANCES UNLESS OTHERWISE SPECIFIED:	
mm			
	0 PLC	±0.2	
	1 PLC	±0.1	
	2 PLC	±	
	3 PLC	±	
	4 PLC	±	
	ANGLES	±	±5°
MATERIAL		FINISH	
-		-	
-		-	

DWN	28 JULY 2010
CHK	28 JULY 2010
APVD	28 JULY 2010
NAME	STEPHEN.P
PRODUCT SPEC	-
APPLICATION SPEC	-
WEIGHT	10g
CUSTOMER DRAWING	



NAME HIGH POWER RESISTORS TYPE SBCHE 11 SERIES

SIZE	CAGE CODE	DRAWING NO	RESTRICTED TO
A3	00779	C=1623728	-
SCALE	SHEET	OF	REV
4:1	1	2	BA4

REVISIONS

P	LTR	DESCRIPTION	DATE	DWN	APVD
-		SEE SHEET 1	-	-	-

Schedule			
TCPN	Catalogue Number	Part Description	Part Status
1623728-1	SBCHE11100RJ	BCHE 11 W 100R 5%	Production
1623728-2	SBCHE1110KJ	BCHE 11 W 10K 5%	Production
1623728-3	SBCHE1110RJ	BCHE 11 W 10R 5%	Production
1623728-4	SBCHE11150RJ	BCHE 11 W 150R 5%	Production
1623728-5	SBCHE1115KJ	BCHE 11 W 15K 5%	Production
1623728-6	SBCHE1115RJ	BCHE 11 W 15R 5%	Production
1623728-7	SBCHE111K0J	BCHE 11 W 1K0 5%	Production
1623728-8	SBCHE111K5J	BCHE 11 W 1K5 5%	Production
1623728-9	SBCHE111R0K	BCHE 11 W 1R0 10%	Production
1-1623728-0	SBCHE111R5K	BCHE 11 W 1R5 10%	Production
1-1623728-1	SBCHE11220RJ	BCHE 11 W 220R 5%	Production
1-1623728-2	SBCHE1122KJ	BCHE 11 W 22K 5%	Production
1-1623728-3	SBCHE1122RJ	BCHE 11 W 22R 5%	Production
1-1623728-4	SBCHE112K2J	BCHE 11 W 2K2 5%	Production
1-1623728-5	SBCHE112R2K	BCHE 11 W 2R2 10%	Production
1-1623728-6	SBCHE11330RJ	BCHE 11 W 330R 5%	Production
1-1623728-7	SBCHE1133RJ	BCHE 11 W 33R 5%	Production
1-1623728-8	SBCHE113K3J	BCHE 11 W 3K3 5%	Production
1-1623728-9	SBCHE113R3K	BCHE 11 W 3R3 10%	Production
2-1623728-0	SBCHE113R9J	BCHE SBCHE 11 3R9 5%	Discontinued
2-1623728-1	SBCHE11470RJ	BCHE 11 W 470R 5%	Production
2-1623728-2	SBCHE1147RJ	BCHE 11 W 47R 5%	Production
2-1623728-3	SBCHE114K7J	BCHE 11 W 4K7 5%	Production
2-1623728-4	SBCHE114R7K	BCHE 11 W 4R7 10%	Production
2-1623728-5	SBCHE115R6J	BCHE SBCHE 11 5R6 5%	Discontinued
2-1623728-6	SBCHE11680RJ	BCHE 11 W 680R 5%	Production
2-1623728-7	SBCHE1168RJ	BCHE 11 W 68R 5%	Production
2-1623728-8	SBCHE116K8J	BCHE 11 W 6K8 5%	Production
2-1623728-9	SBCHE116R8J	BCHE SBCHE 11 6R8 5%	Production
3-1623728-0	SBCHE116R8K	BCHE 11 W 6R8 10%	Production
3-1623728-1	SBCHE11150RJ	SBCHE 11 W 150R 5%	Discontinued
3-1623728-2	SBCHE1139RJ	BCHE 11 W 39R 5%	Discontinued
3-1623728-3	SBCHE11180RJ	BCHE11 180R 5%	Discontinued
3-1623728-4	SBCHE1118KJ	BCHE11 18K 5%	Discontinued
3-1623728-5	SBCHE1127RJ	BCHE 11 W 27R 5%	Discontinued
3-1623728-6	SBCHE111R2K	BCHE 11 W 1R2 10%	Production
3-1623728-7	SBCHE1115RK	BCHE 11 W 15R 10%	Production
3-1623728-8	SBCHE11390RK	BCHE 11 W 390R 10%	Production

THIS DRAWING IS A CONTROLLED DOCUMENT.

DIMENSIONS: mm		TOLERANCES UNLESS OTHERWISE SPECIFIED:	
		0 PLC	±0.2
		1 PLC	±0.1
		2 PLC	±
		3 PLC	±
		4 PLC	±
MATERIAL		FINISH	ANGLES ±5°
-		-	-

DWN	28 JULY 2010
CHK	28 JULY 2010
APVD	28 JULY 2010
PRODUCT SPEC	-
APPLICATION SPEC	-
WEIGHT	10g
CUSTOMER DRAWING	

TE TE Connectivity

NAME: HIGH POWER RESISTORS
TYPE SBCHE 11 SERIES

SIZE	CAGE CODE	DRAWING NO	RESTRICTED TO
A3	00779	©=1623728	-
SCALE 4:1		SHEET 2 OF 2	REV BA4

Mouser Electronics

Authorized Distributor

Click to View Pricing, Inventory, Delivery & Lifecycle Information:

[TE Connectivity:](#)

[1623728-4](#)