

THIS DRAWING IS UNPUBLISHED.

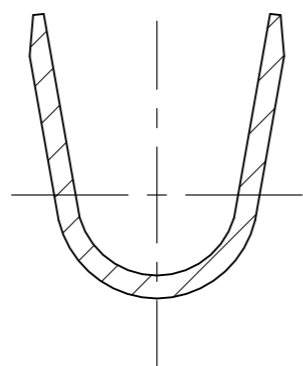
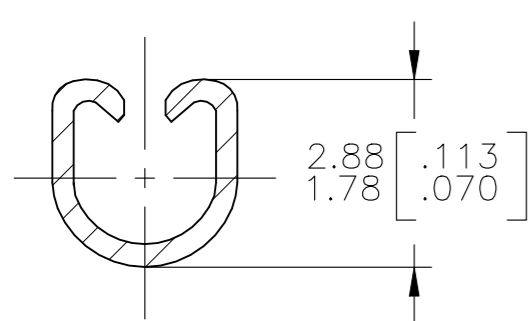
RELEASED FOR PUBLICATION

ALL RIGHTS RESERVED.

© COPYRIGHT - By -

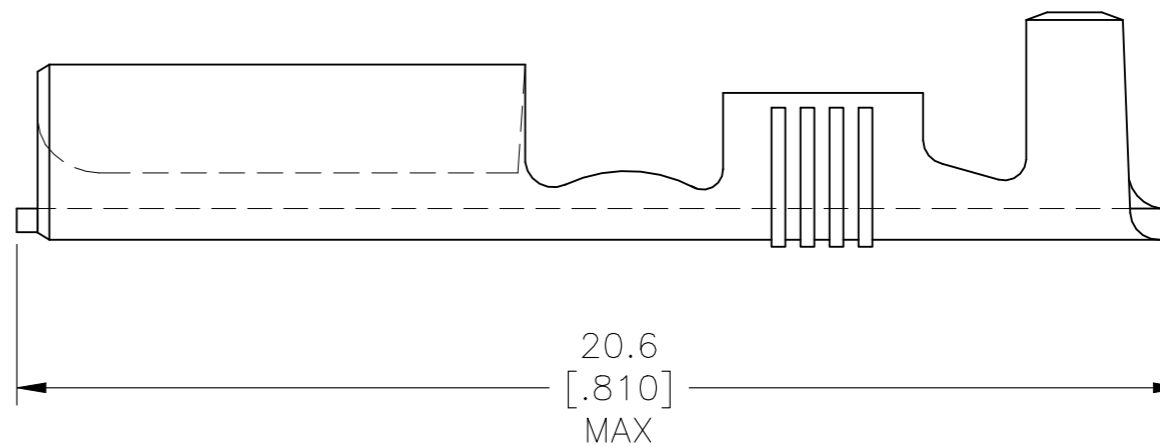
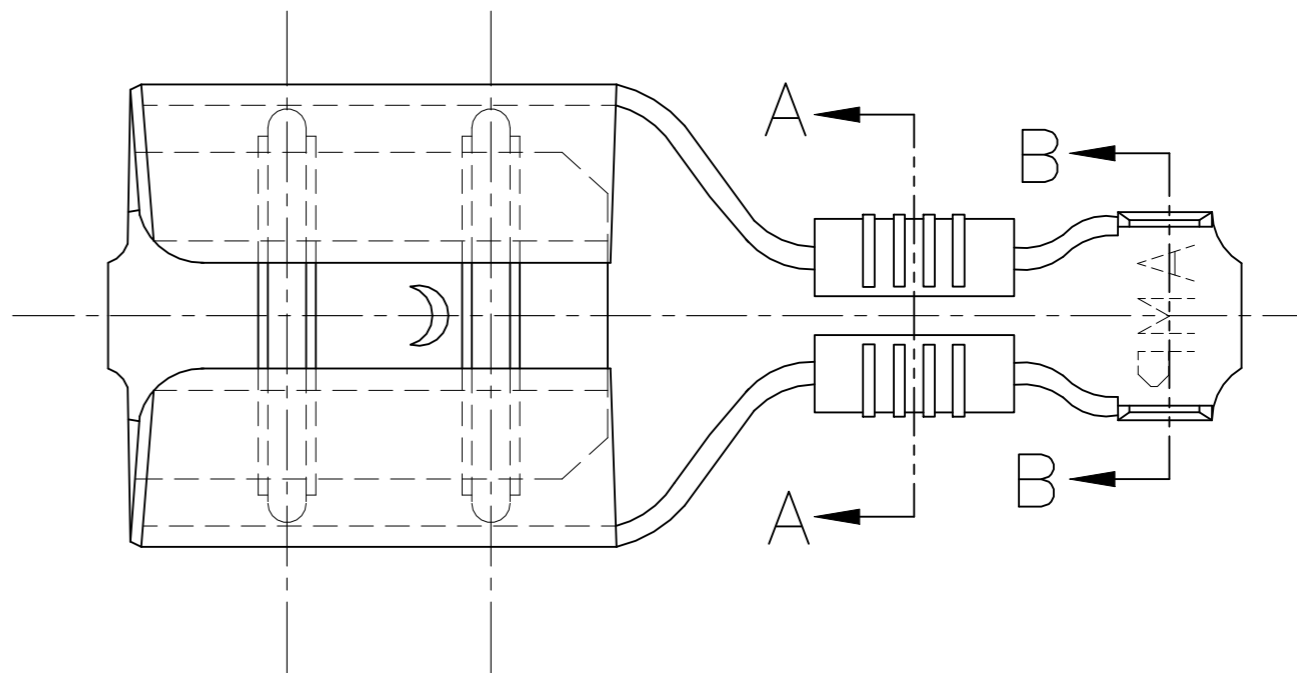
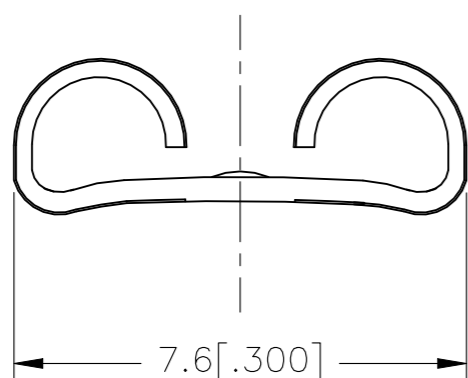
REVISIONS

P	LTR	DESCRIPTION	DATE	DWN	APVD
	A1	REVISED PER ECR-23-170760	22JAN2024	DB	RE



SECTION A-A

SECTION B-B



1 SUPERSEDED PART.

OBSOLETE	140760-3	A-2	140794-3
	140760-2	A-1	140794-2
	140760-1	A	140794-1
	STRIP FROM	MAT.	PART NUMBER

STOCK THK.
0.40[.016]

CODE	MATERIAL DESCRIPTION
A	PHOSPHOR BRONZE
CODE	HEATTREATMENT
1	ELECTRO-TIN
2	SILVER PLATED

THIS DRAWING IS A CONTROLLED DOCUMENT.	
DIMENSIONS: mm [INCHES]	TOLERANCES UNLESS OTHERWISE SPECIFIED:
	0 PLC ± -
	1 PLC ± 0.40[.015]
	2 PLC ± 0.40[.015]
	3 PLC ± 0.40[.015]
4 PLC ± -	ANGLES ± -
MATERIAL SEE TABLE	FINISH SEE TABLE

DWN RAVI S 30NOV2016	TE Connectivity		
CHK LI DAISY 30NOV2016			
APVD DING TIM 30NOV2016	NAME		
PRODUCT SPEC	FASTON RECEPTACLE		
APPLICATION SPEC	SIZE	CAGE CODE	DRAWING NO
WEIGHT -	A3	00779	C-140794
CUSTOMER DRAWING		SCALE 1:1	SHEET 1 OF 1
		REV A1	RESTRICTED TO -

# Mouser Electronics

Authorized Distributor

Click to View Pricing, Inventory, Delivery & Lifecycle Information:

[TE Connectivity:](#)

[140794-2](#)