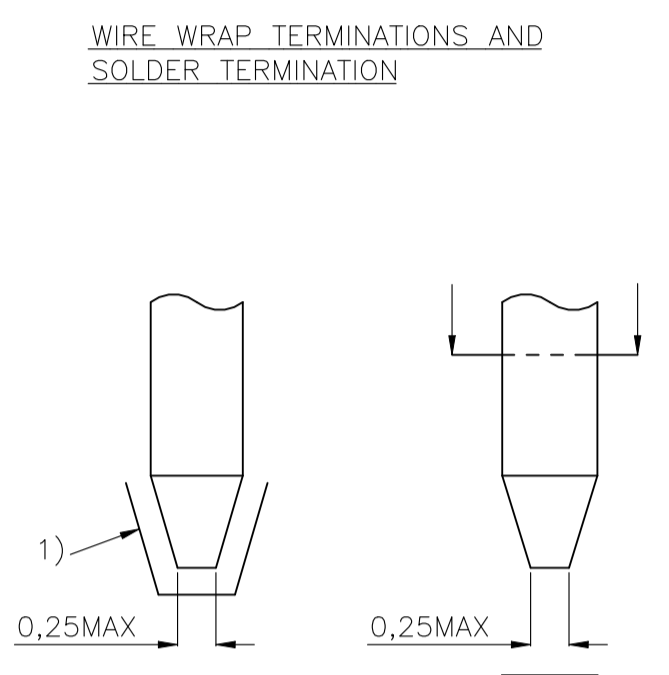
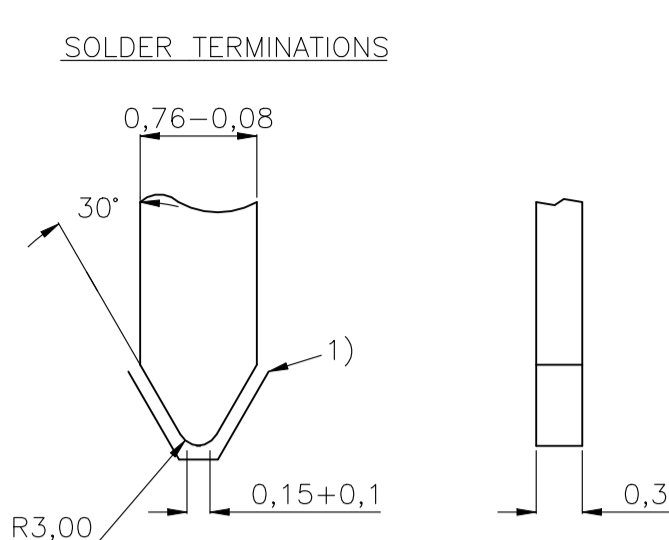
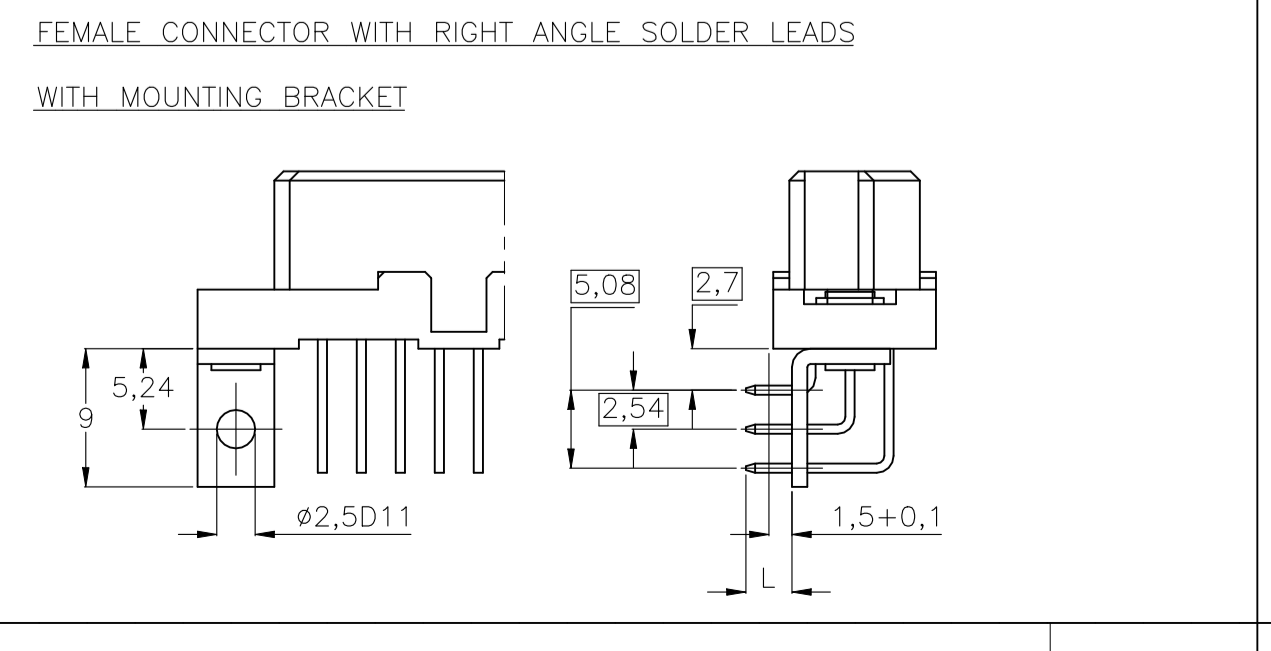
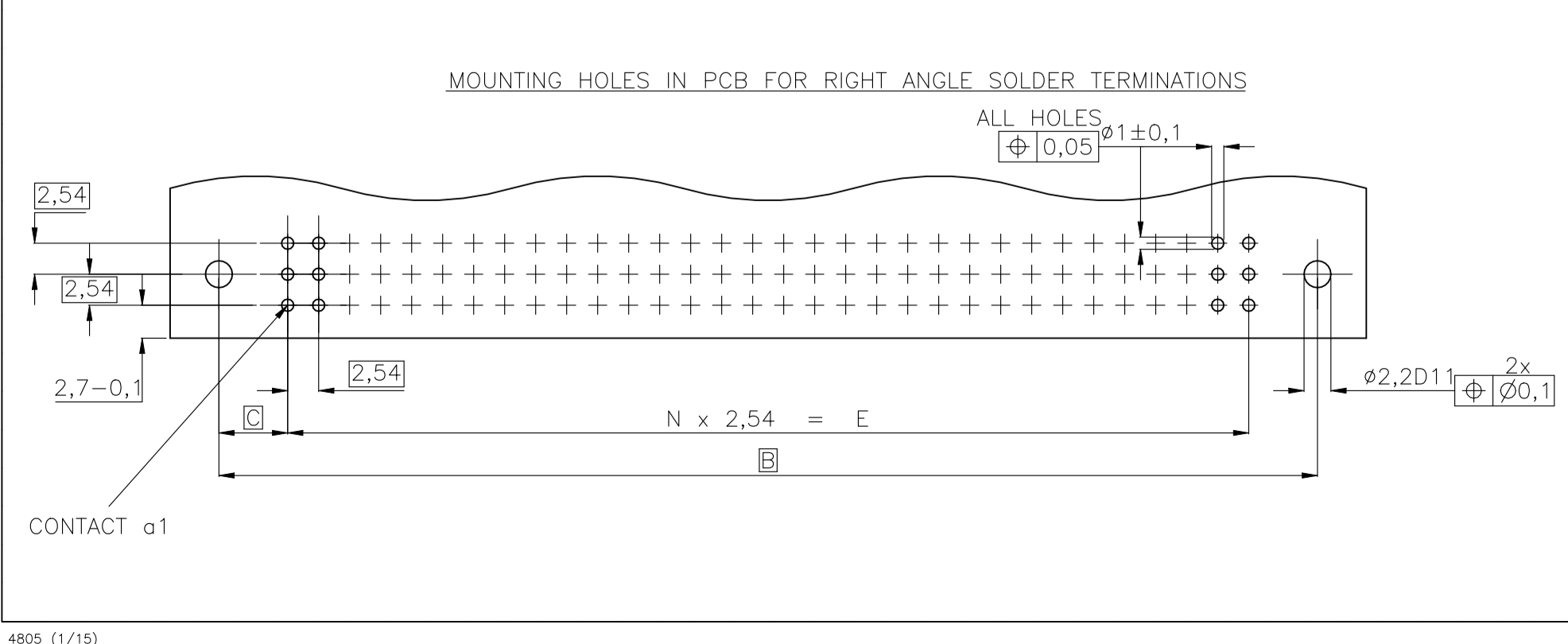
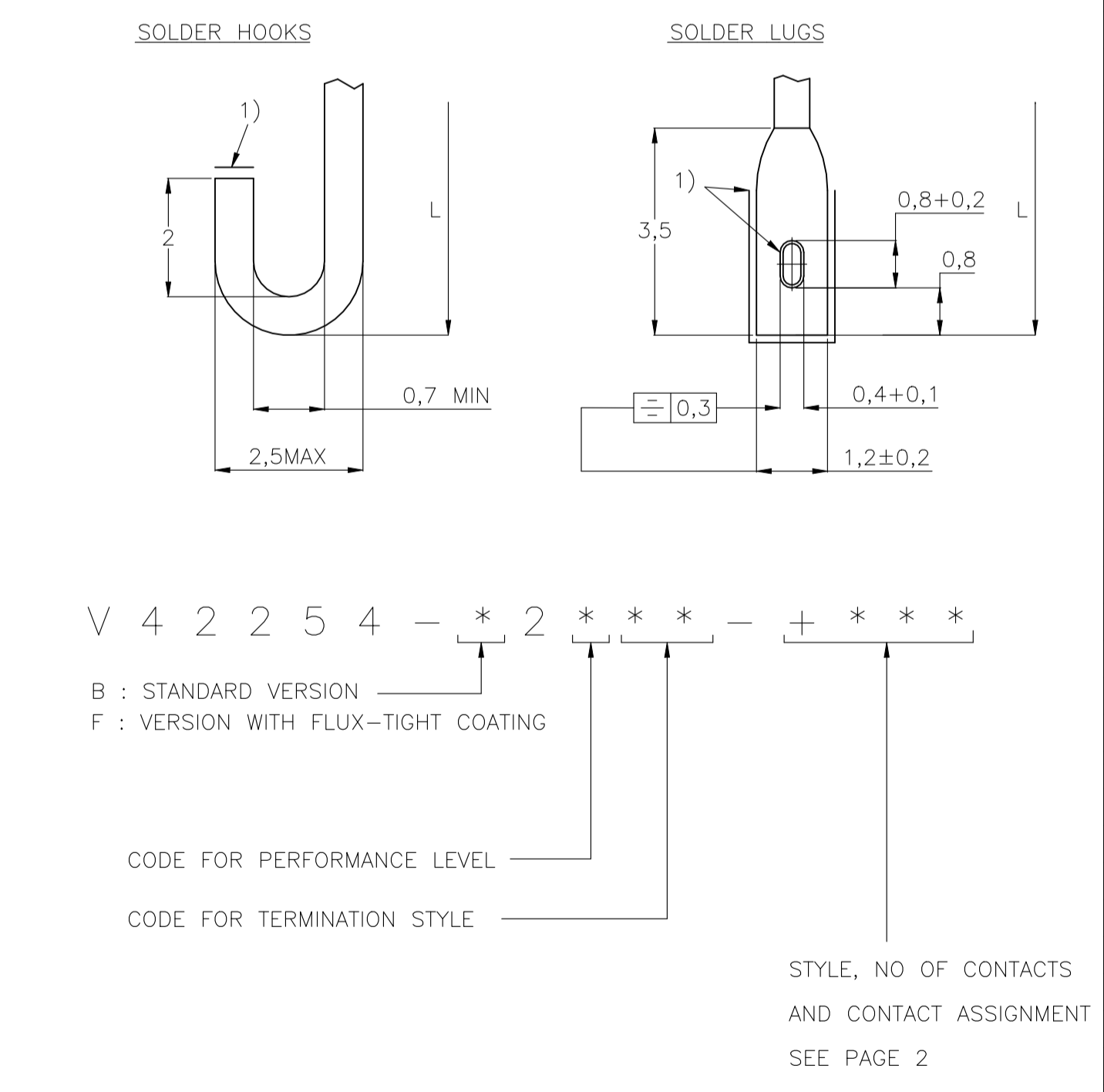
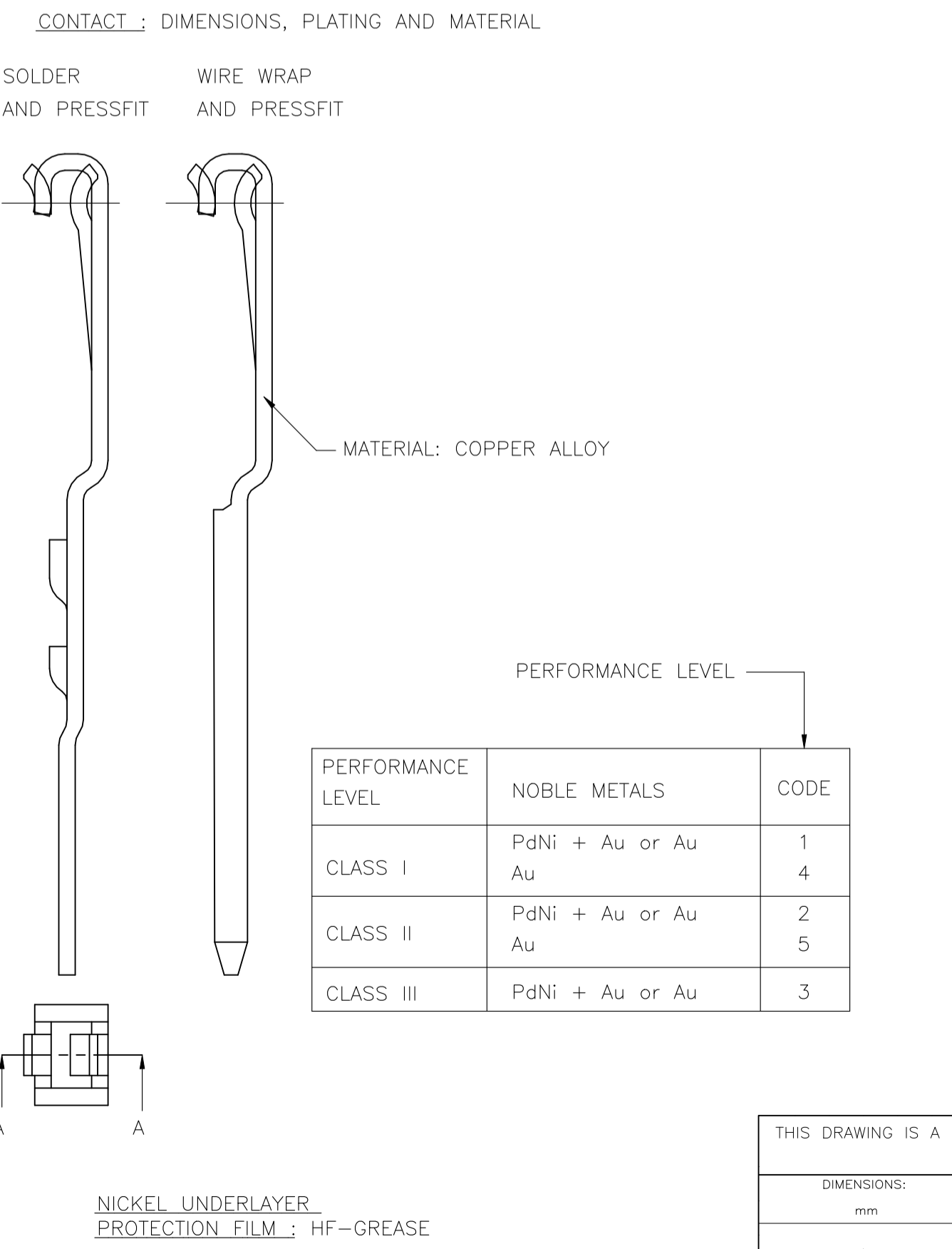
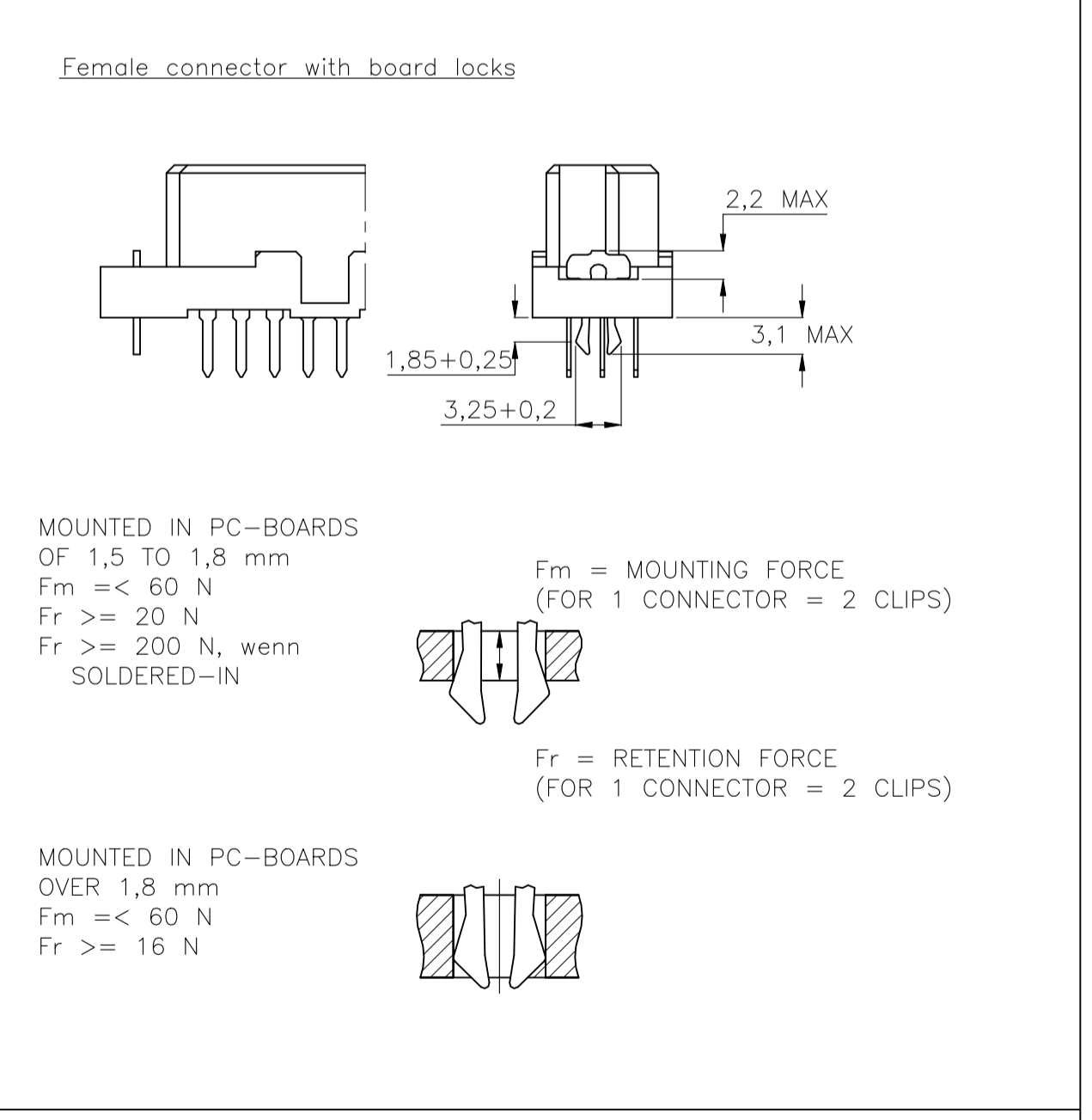
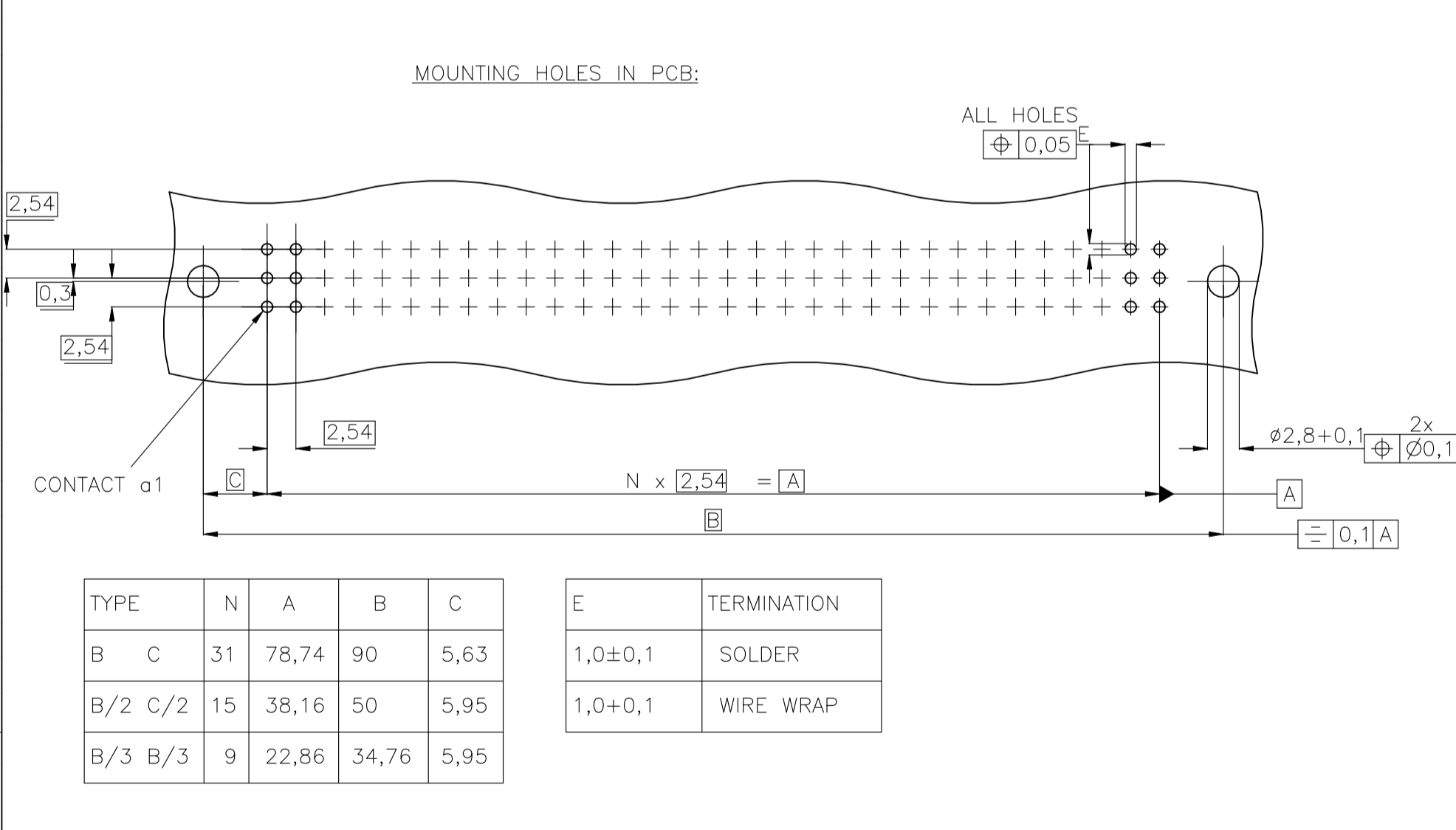


REVISIONS					
P	LTR	DESCRIPTION	DATE	DWN	APVD
C		REVISED PER ECN-22-145274	20SEP2022	RZ	HL



TERMINATION STYLES		L	CODE
SOLDER	SOLDER	2,9±0,3	01
		3,7±0,3	02
		4,5±0,3	03
SOLDER	SOLDER	6±0,3	04
		7,3±0,3	04
SOLDER	WIRE WRAP	13±0,5	40
		13±0,5	40
SOLDER	SOLDER HOOKS	5,5±0,3	30
		10±0,5	30
SOLDER	SOLDER LUGS	5,5±0,3	35
		10-0,5	35
SOLDER	SOLDER RIGHT ANGLE	1,55-0,4	00
		1,55-0,4	00
SOLDER	SOLDER RIGHT ANGLE WITH MOUNTING BRACKET	3-0,4	10
		3-0,4	10
SOLDER	SOLDER WITH SN	13±0,5	60
		17±0,5	61
		4±0,5	63
		13±0,5	66
		17±0,5	67
		6±0,5	69
		6±0,5	70



THIS DRAWING IS A CONTROLLED DOCUMENT.

DIN 14FEB89

CUVELIER

TE Connectivity

REC ASSEMBLY EUROCARD TYPES B,C AND SHORT VERSIONS (PN:V42254-B2***-C***-7626)

SIZE A1

CAGE CODE 00779

DRAWING NO. 1393640-1

RESTRICTED TO

CUSTOMER DRAWING

SCALE NTS

SHEET 1 of 2

REV C

Mouser Electronics

Authorized Distributor

Click to View Pricing, Inventory, Delivery & Lifecycle Information:

[TE Connectivity:](#)

[3-1393641-5](#)