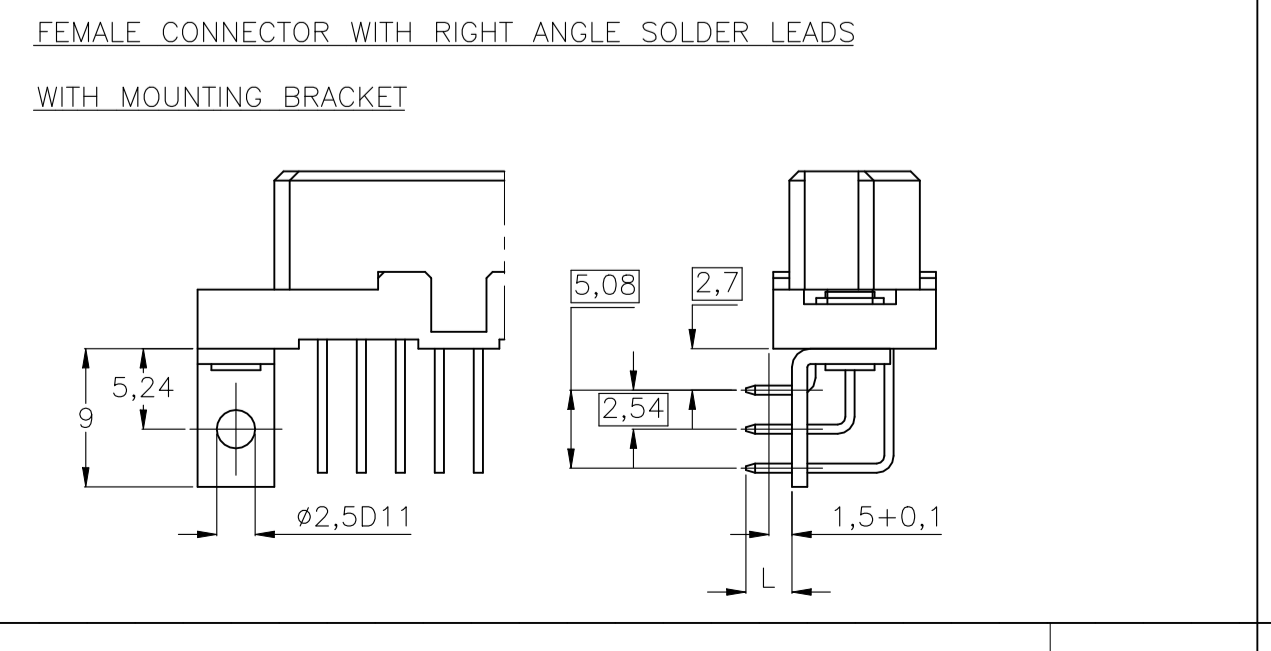
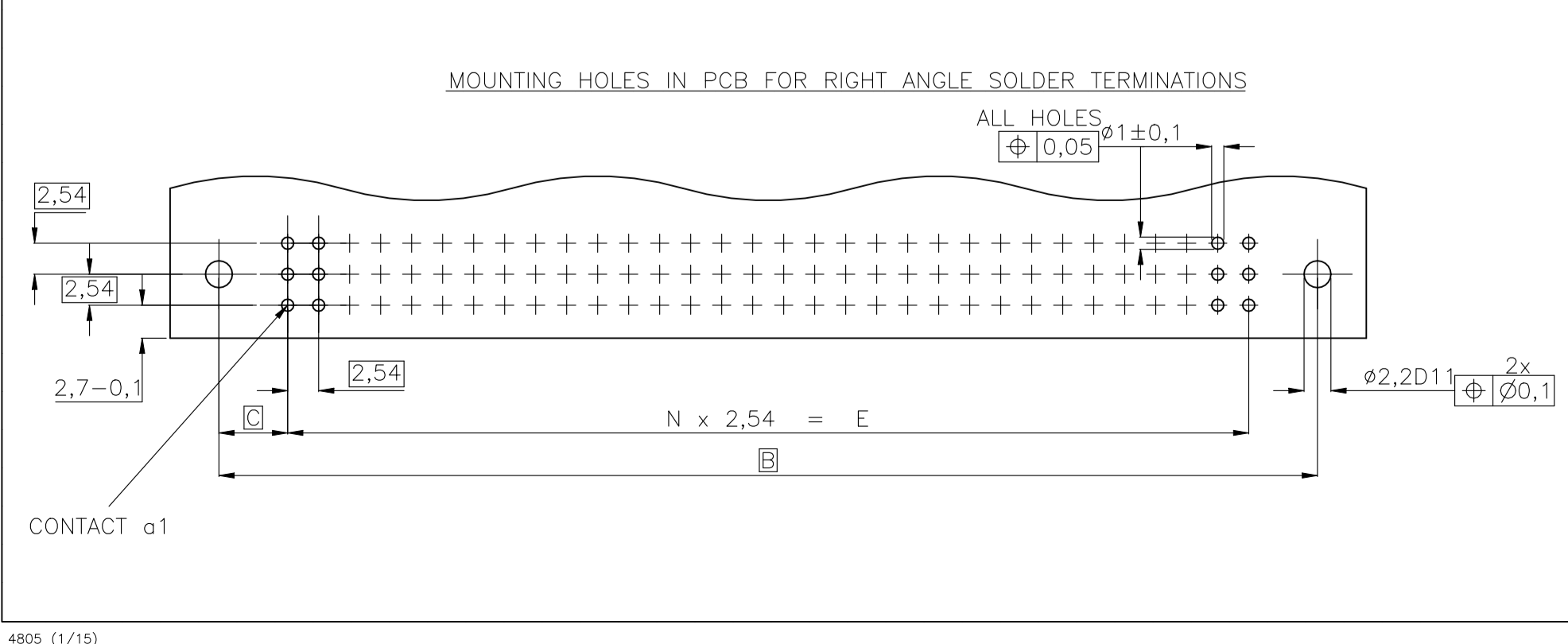
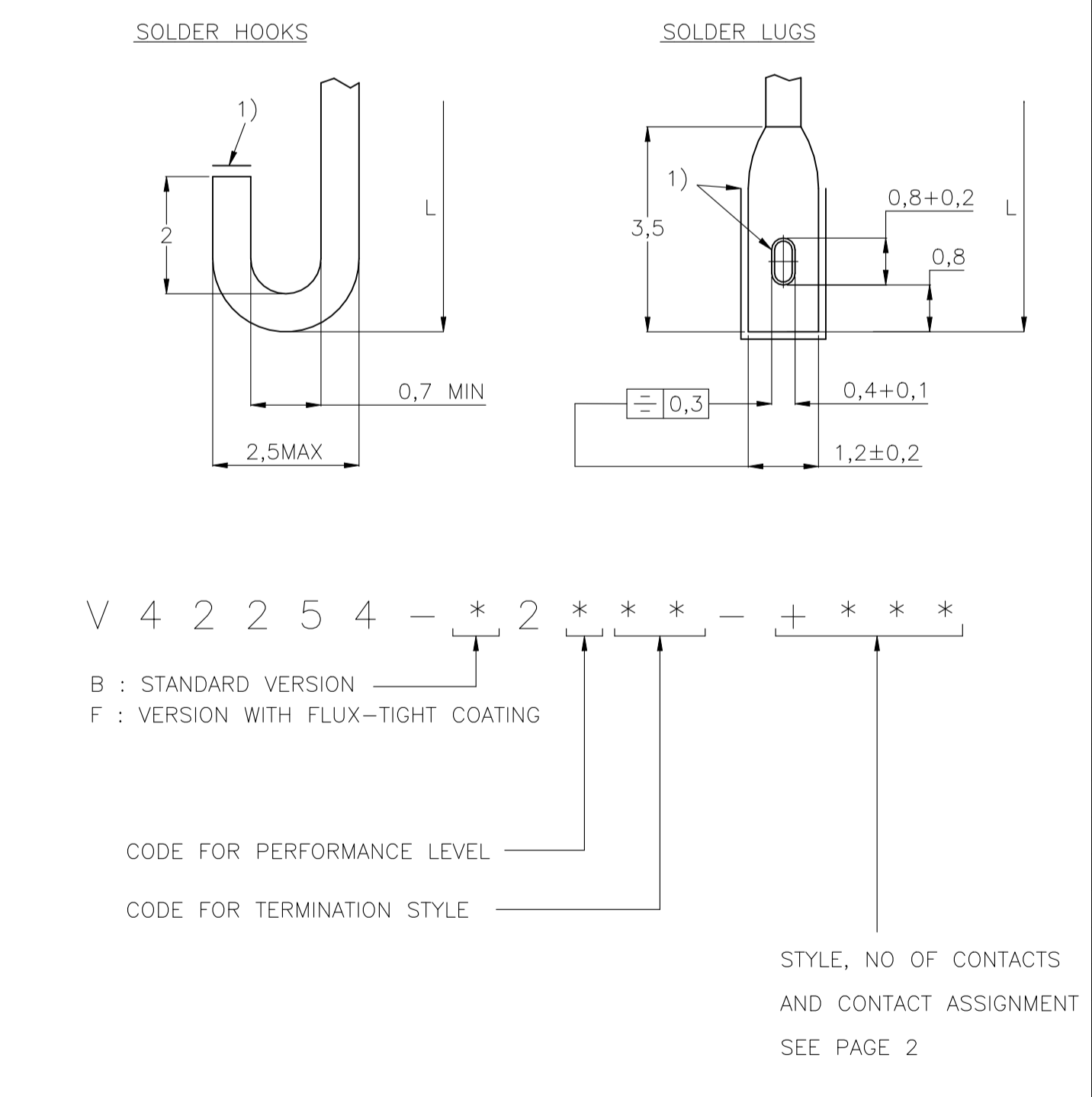
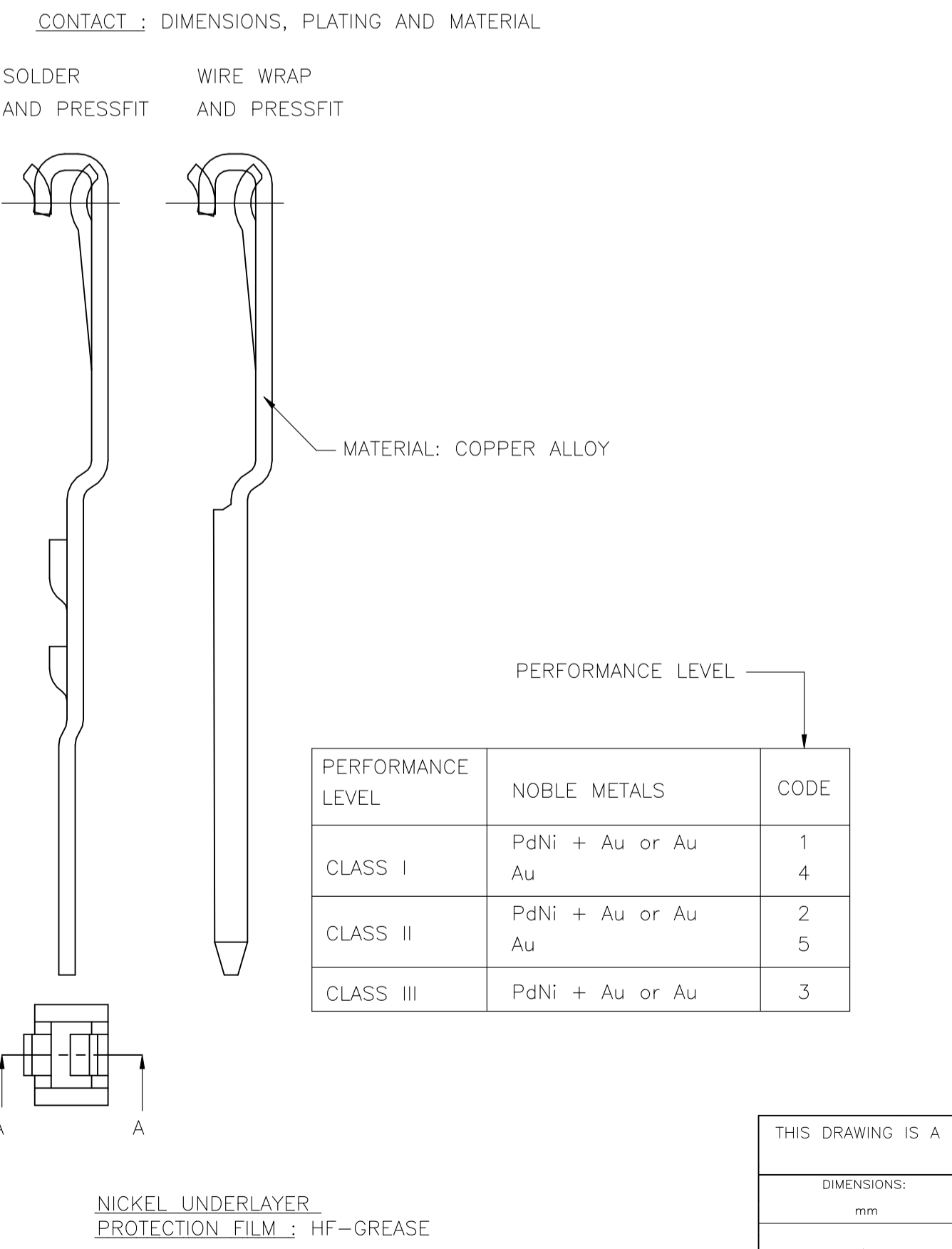
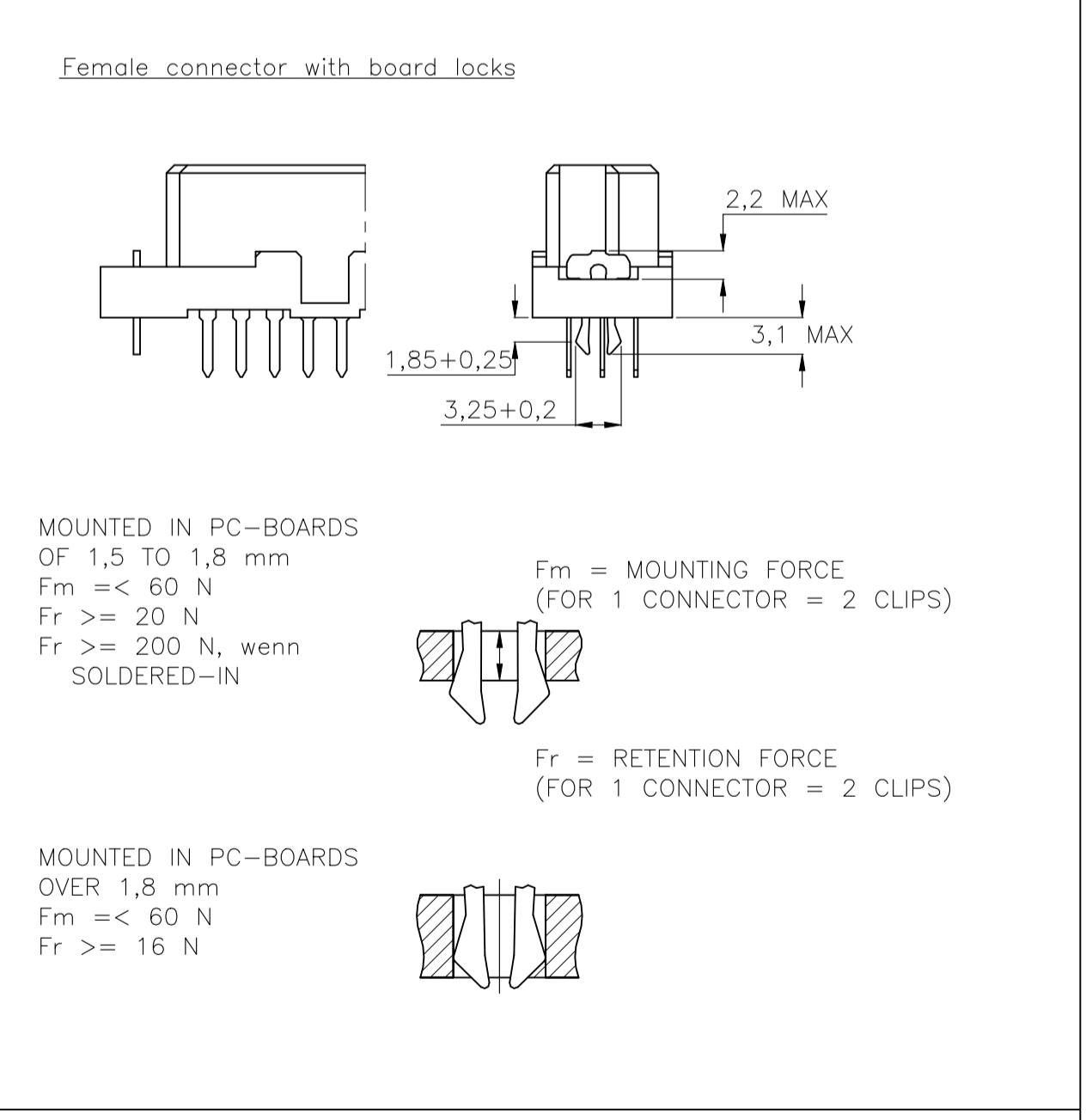
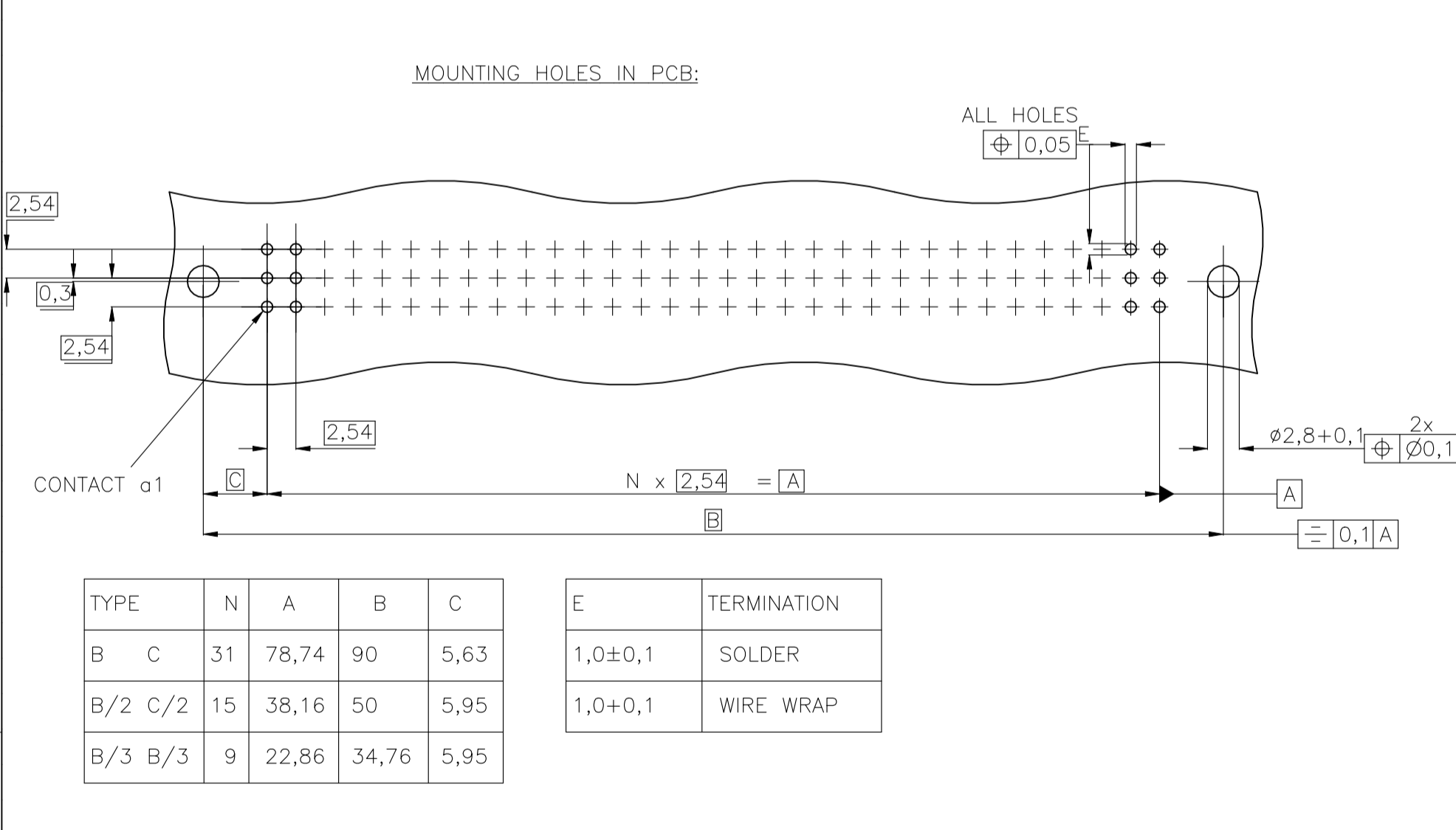


REVISIONS					
P	LTR	DESCRIPTION	DATE	DWN	APVD
C		REVISED PER ECN-22-145274	20SEP2022	RZ	HL

SOLDER TERMINATIONS		TERMINATION STYLES		CODE		
	SOLDER	L	2,9±0,3 3,7±0,3 4,5±0,3 6±0,3	01 05 02 03		
			WIRE WRAP	SOLDER	7,3±0,3	04
				WIRE WRAP	13±0,5	40
	SOLDER HOOKS	L	5,5±0,3 10±0,5	30		
			SOLDER LUGS	L	5,5±0,3 10-0,5	35
	SOLDER RIGHT ANGLE			L	1,55-0,4	00
			SOLDER RIGHT ANGLE WITH MOUNTING BRACKET	L	3-0,4	10
	TERMINATION WITH SN			L	13±0,5 17±0,5 4±0,5 13±0,5 17±0,5 6±0,5 6±0,5	60 61 63 66 67 69 70



THIS DRAWING IS A CONTROLLED DOCUMENT.

DIMENSIONS: mm	TOLERANCES UNLESS OTHERWISE SPECIFIED:	DWN: CUVELLIER 14FEB99	NAME: REC ASSEMBLY EUROCARD TYPES B,C AND SHORT VERSIONS (PN:V42254-B2***-C***-7626)
0. PLC ±	1. PLC ±	APVD: -	PRODUCT SPEC: -
2. PLC ±	3. PLC ±	APVD: -	APPLICATION SPEC: -
4. PLC ±	ANGLES ±	APVD: -	APPLICATION SPEC: -
MATERIAL: -	FINISH: -	WEIGHT: -	RESTRICTED TO: -
CUSTOMER DRAWING		SIZE: A1	SCALE: NTS
		CAGE CODE: 00779	DRAWING NO: 1393640-1
		REV: 1	SHEET: 2



# Mouser Electronics

Authorized Distributor

Click to View Pricing, Inventory, Delivery & Lifecycle Information:

[TE Connectivity:](#)

[1-1393642-6](#)