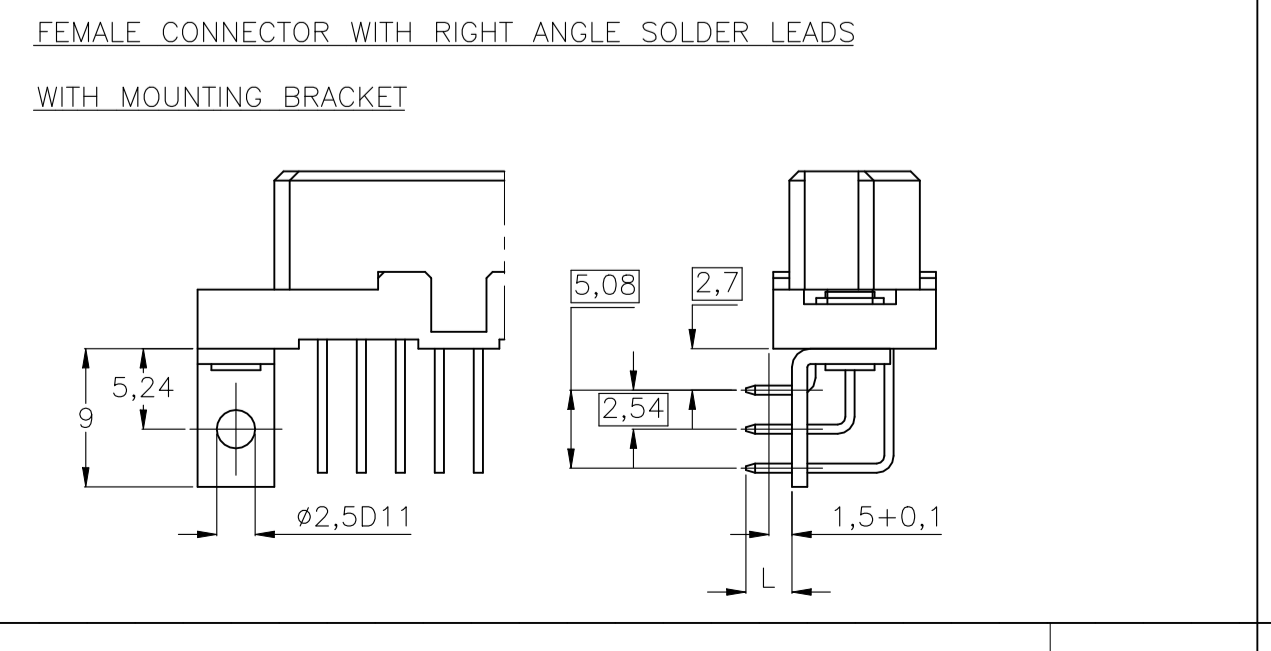
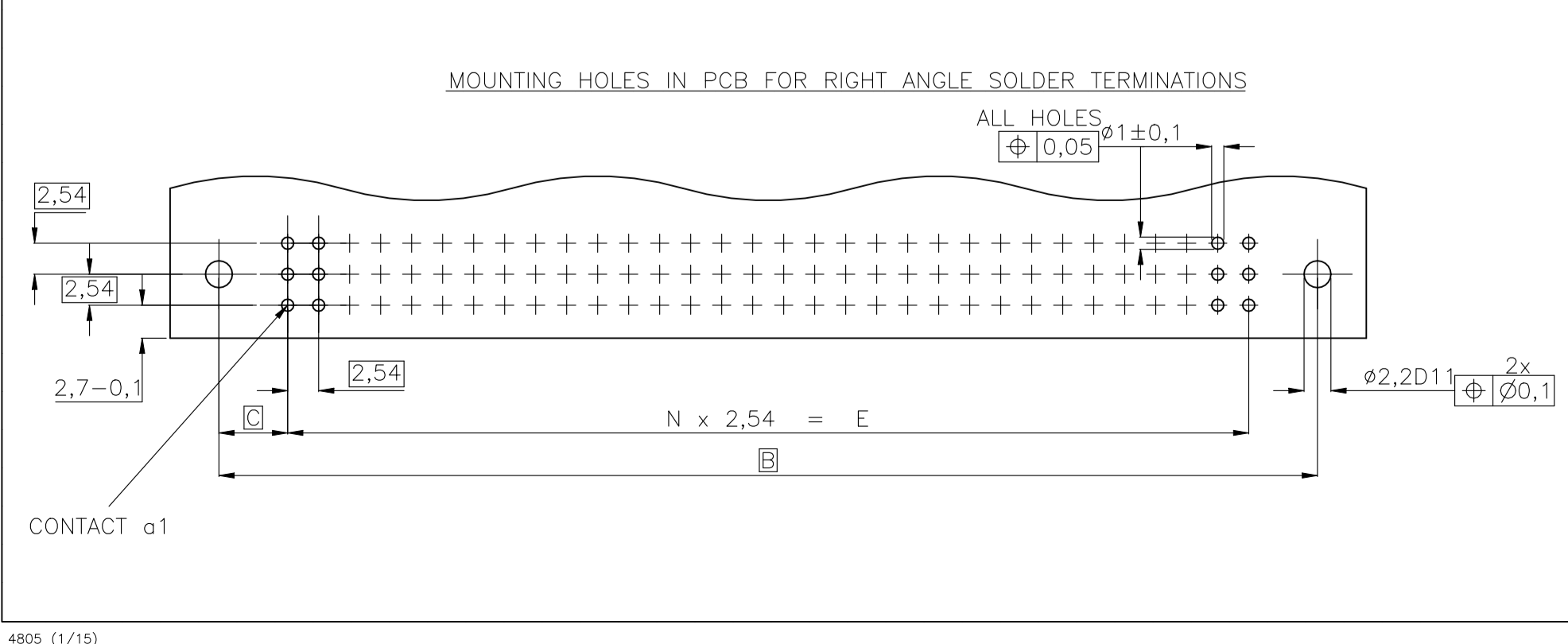
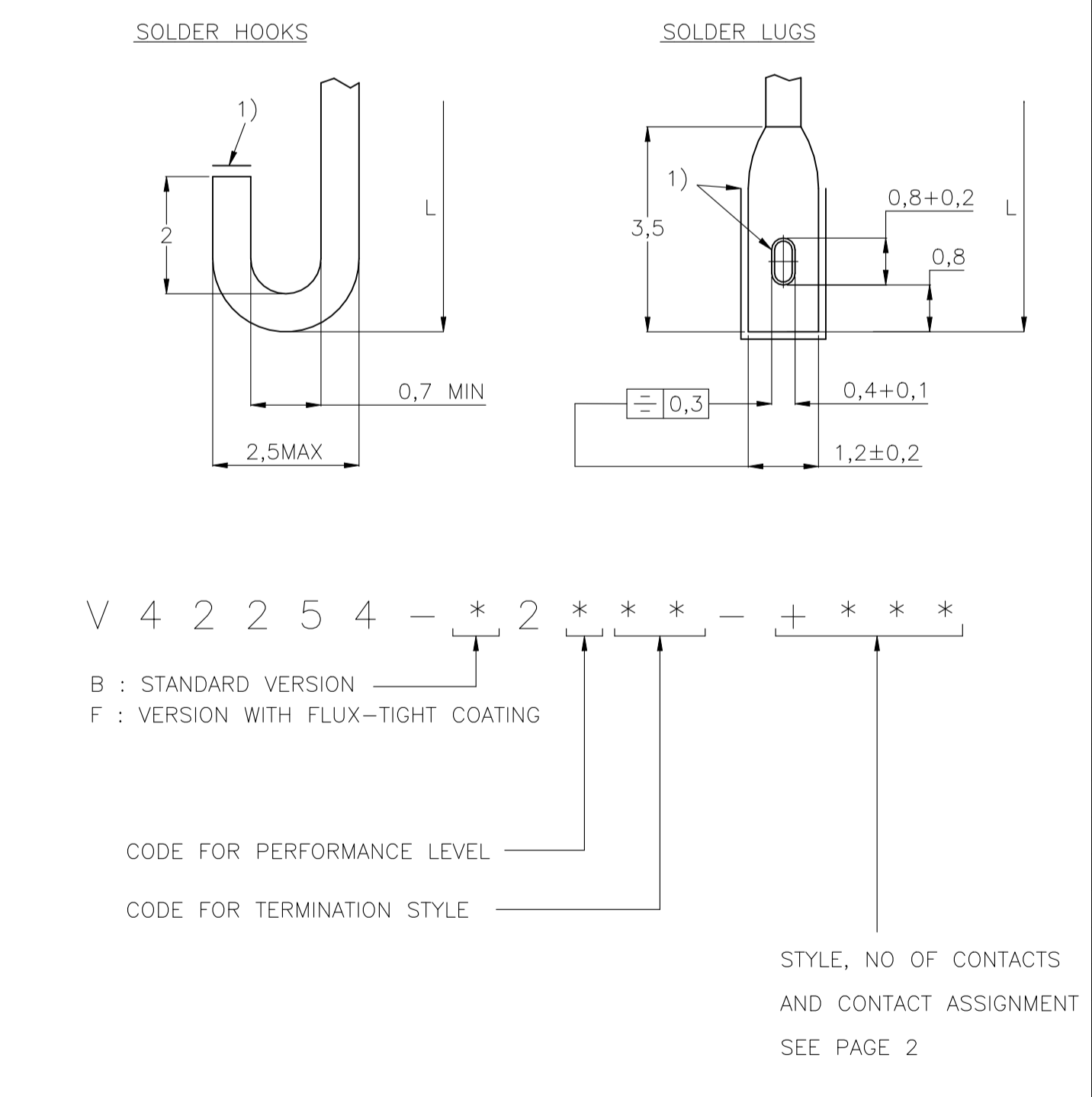
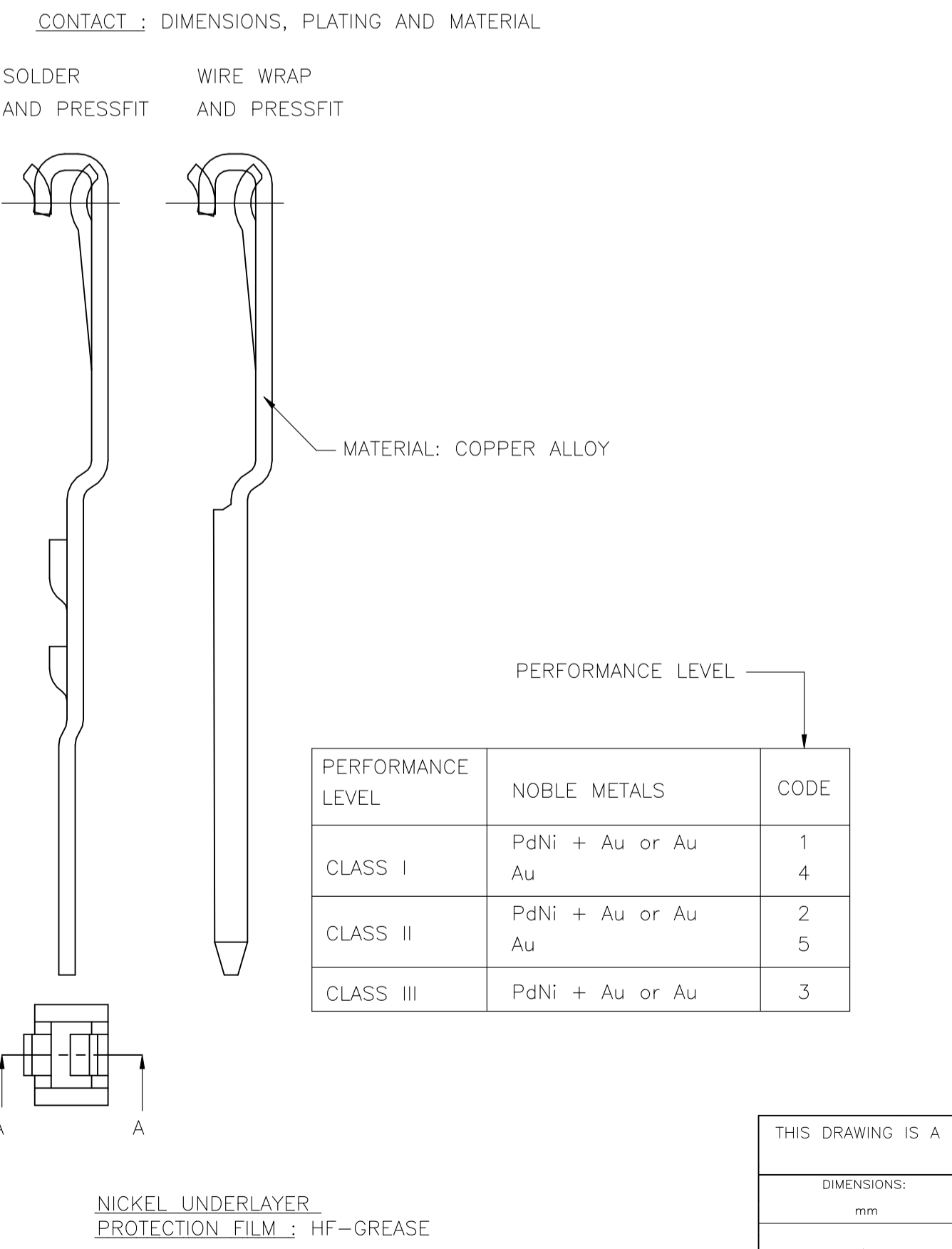
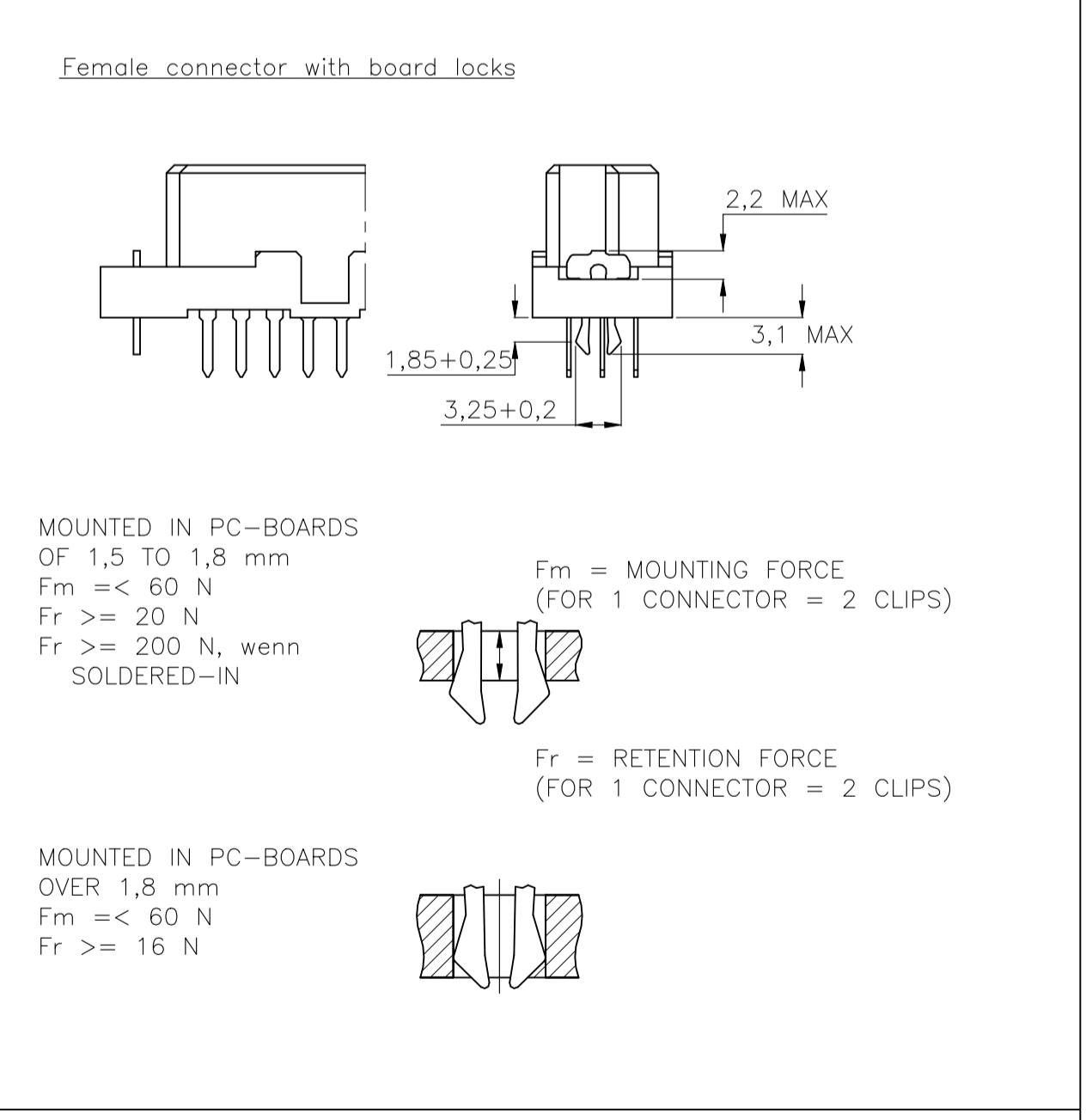
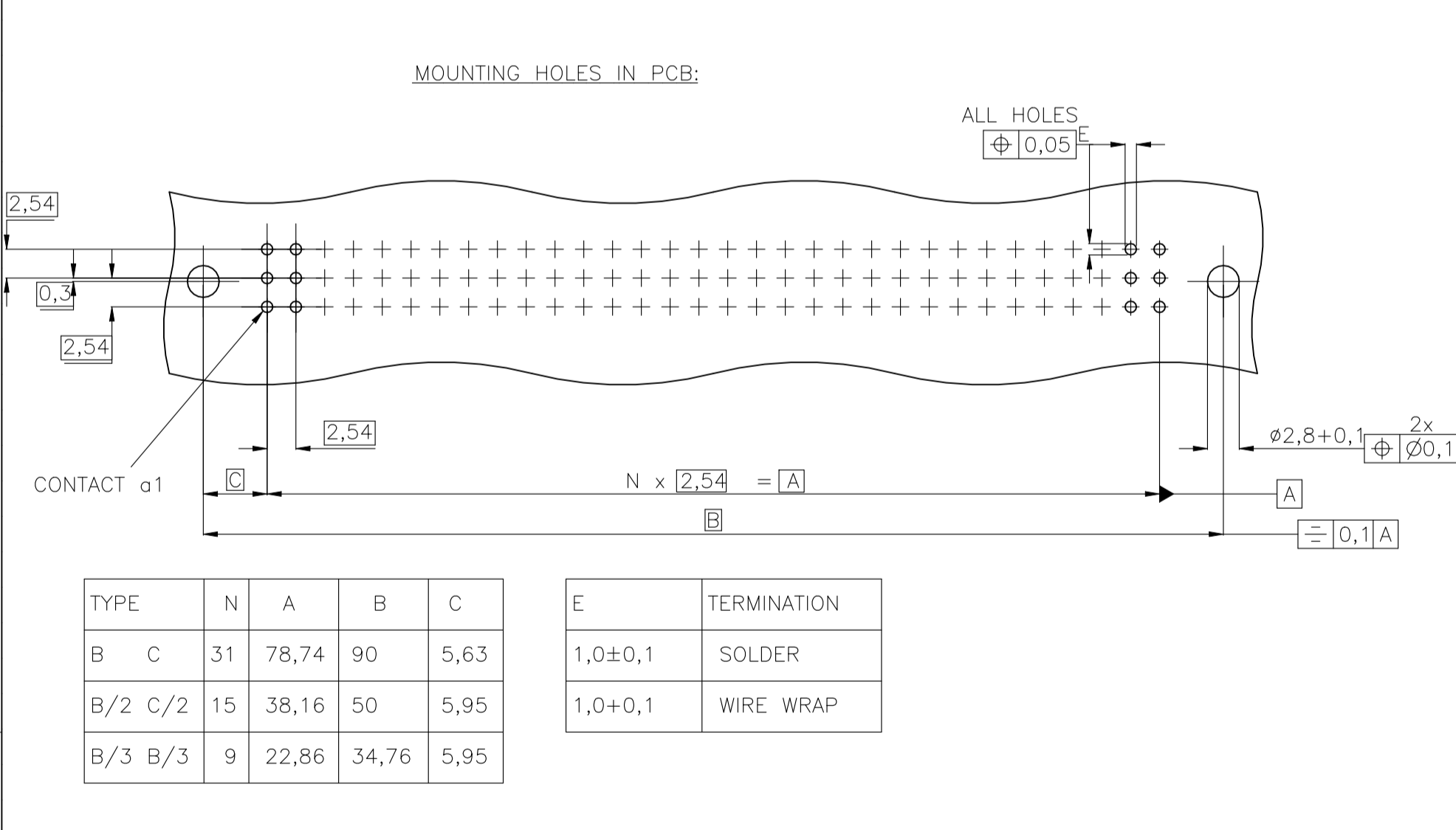


REVISIONS					
P	LTR	DESCRIPTION	DATE	DWN	APVD
C		REVISED PER ECN-22-145274	20SEP2022	RZ	HL

SOLDER TERMINATIONS		TERMINATION STYLES		CODE		
	SOLDER	L	2,9±0,3 3,7±0,3 4,5±0,3 6±0,3	01 05 02 03		
			WIRE WRAP	SOLDER	7,3±0,3	04
				WIRE WRAP	13±0,5	40
	SOLDER HOOKS	L	5,5±0,3 10±0,5	30		
			SOLDER LUGS	L	5,5±0,3 10-0,5	35
	SOLDER RIGHT ANGLE			L	1,55-0,4	00
			SOLDER RIGHT ANGLE WITH MOUNTING BRACKET	L	3-0,4	10
	TERMINATION WITH SN			L	13±0,5 17±0,5 4±0,5 13±0,5 17±0,5 6±0,5 6±0,5	60 61 63 66 67 69 70



THIS DRAWING IS A CONTROLLED DOCUMENT.

DIMENSIONS: mm	TOLERANCES UNLESS OTHERWISE SPECIFIED:	DIN 14581	14FEB89
0. PLC ±	1. PLC ±	CIK	
2. PLC ±	3. PLC ±	APVD	
4. PLC ±	ANGLES ±	NAME	
MATERIAL	FINISH	PRODUCT SPEC	
		APPLICATION SPEC	
		WEIGHT	
		SIZE	
		CAGE CODE	
		DRAWING NO	
		RESTRICTED TO	
		CUSTOMER DRAWING	
		SCALE	
		NTS	
		SHEET	
		1 of 2	
		REV	
		C	

REC ASSEMBLY EUROCARD  
TYPES B,C AND SHORT VERSIONS  
(PN:V42254-B2\*\*\*-C\*\*\*-7626)

A1 00779 ©=1393640-1

REVISIONS table with columns: P, LTR, DESCRIPTION, DATE, DWN, APVD

Main table on the left side with columns: PRODUCT DESCRIPTION CODE, TE P/N, STYLE & NUMBER OF POSITIONS, TERMINATION POSTS, LOADED ROWS, PERFORMANCE LEVEL, BOARD LOCKS

Main table on the right side with columns: PRODUCT DESCRIPTION CODE, TE P/N, STYLE & NUMBER OF POSITIONS, TERMINATION POSTS, LOADED ROWS, PERFORMANCE LEVEL, BOARD LOCKS

3) ACCORDING TO BT 236 LEVEL 2.
2) CONNECTORS HAVE A FLUX-TIGHT COATING.
1) NO COMPANY NAME MARKED ON THE CONNECTOR.

ACTIVE PART NUMBERS.
CONTACT TE FOR OTHER CONFIGURATION AVAILABILITY

TE Connectivity drawing header and title block containing technical specifications, drawing number (1393640-1), and revision information.

# Mouser Electronics

Authorized Distributor

Click to View Pricing, Inventory, Delivery & Lifecycle Information:

[TE Connectivity:](#)

[1-1393641-0](#)