

REVISIONS					
P	LTR	DESCRIPTION	DATE	DRN	APVD
C		REVISED PER ECN-22-145274	20SEP2022	RZ	HL

TERMINATION STYLES		L	CODE
SOLDER	SOLDER	2,9±0,3	01
		3,7±0,3	02
		4,5±0,3	03
SOLDER	WIRE WRAP	7,3±0,3	04
		13±0,5	40
SOLDER	HOOKS	5,5±0,3	30
		10±0,5	35
SOLDER	LUGS	5,5±0,3	35
		10±0,5	00
SOLDER	RIGHT ANGLE	1,55-0,4	10
		3-0,4	60
SOLDER	WITH MOUNTING BRACKET	13±0,5	61
		17±0,5	63
		4±0,5	66
		13±0,5	67
		17±0,5	69
		6±0,5	69
		6±0,5	70

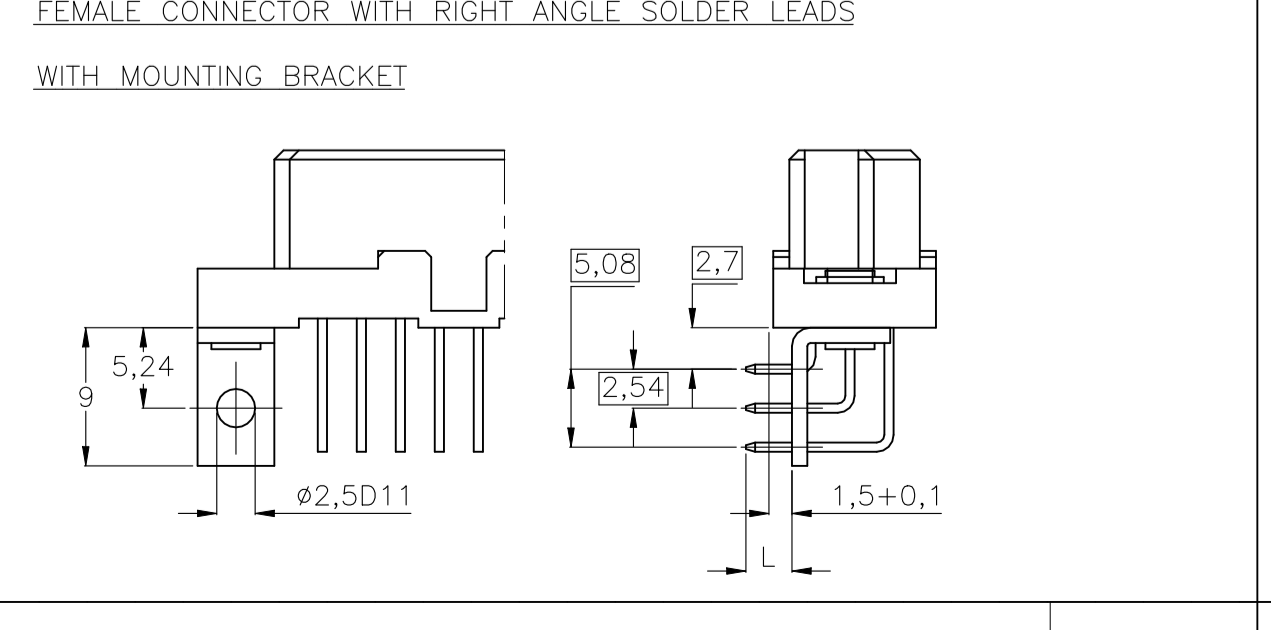
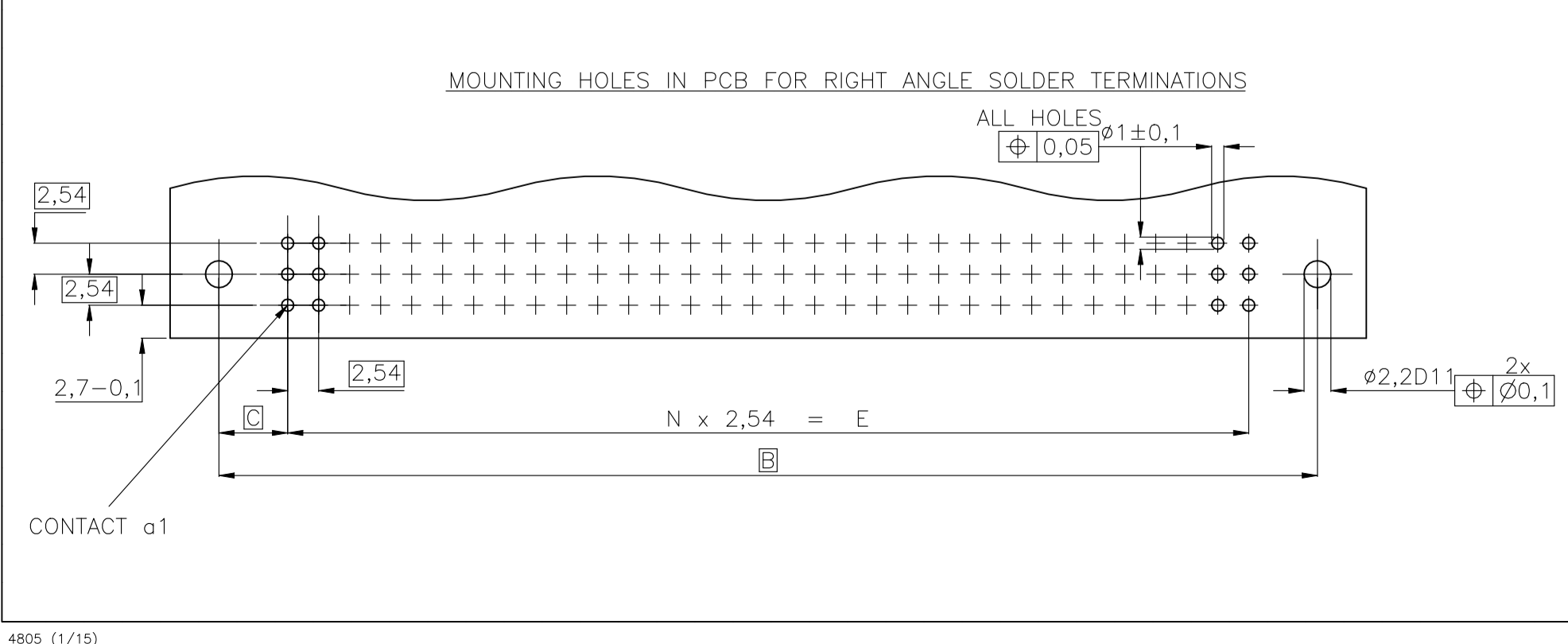
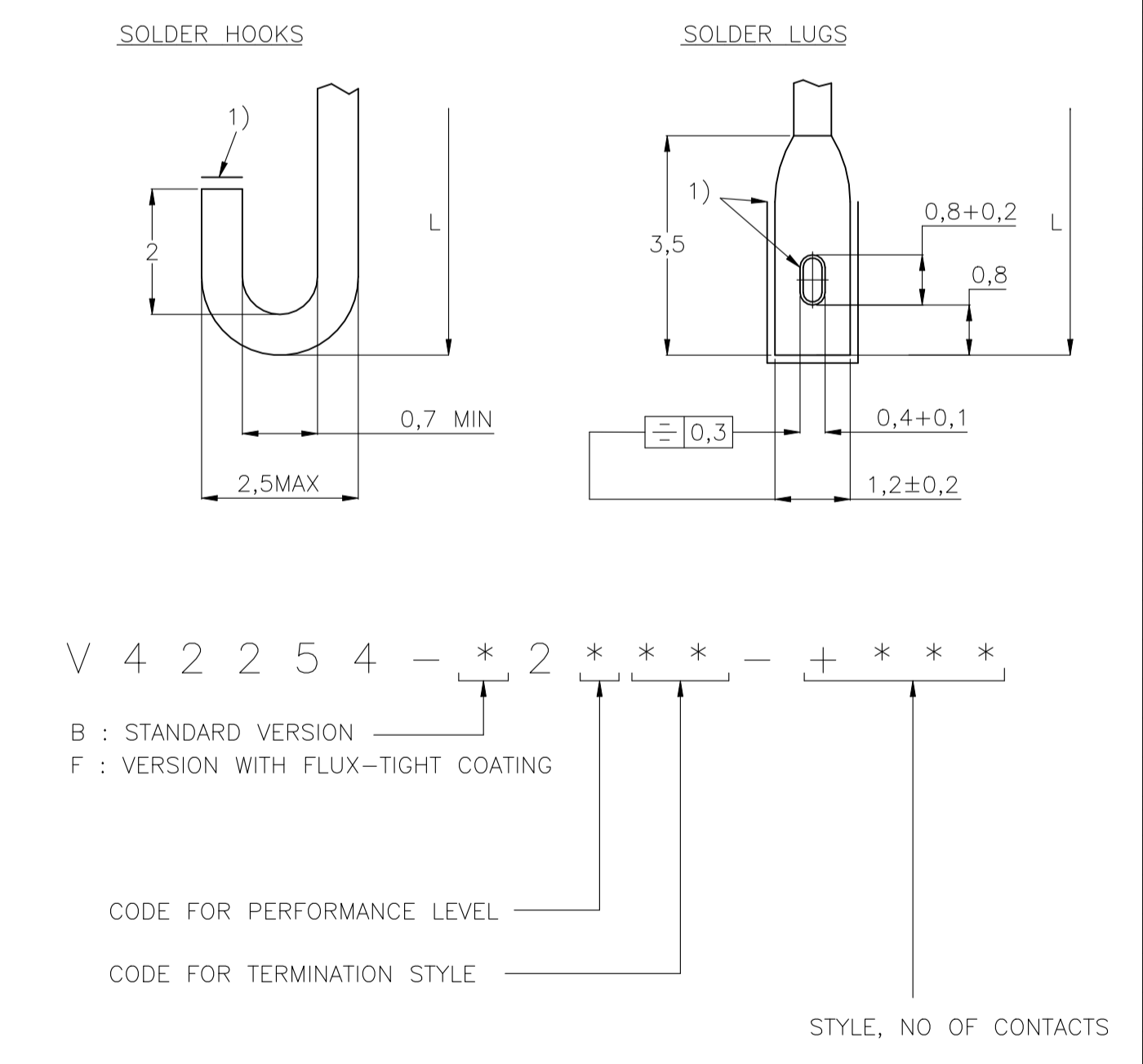
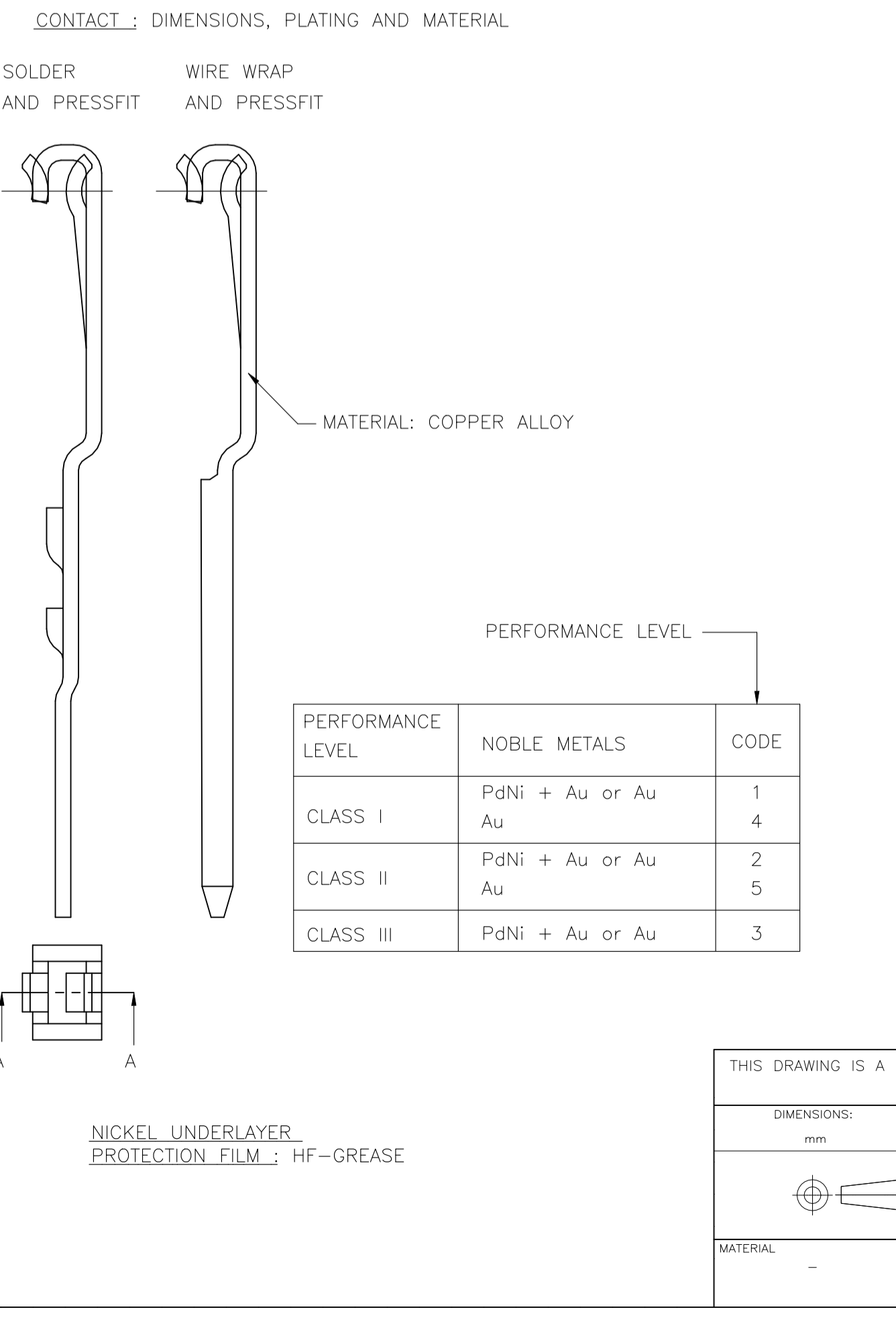
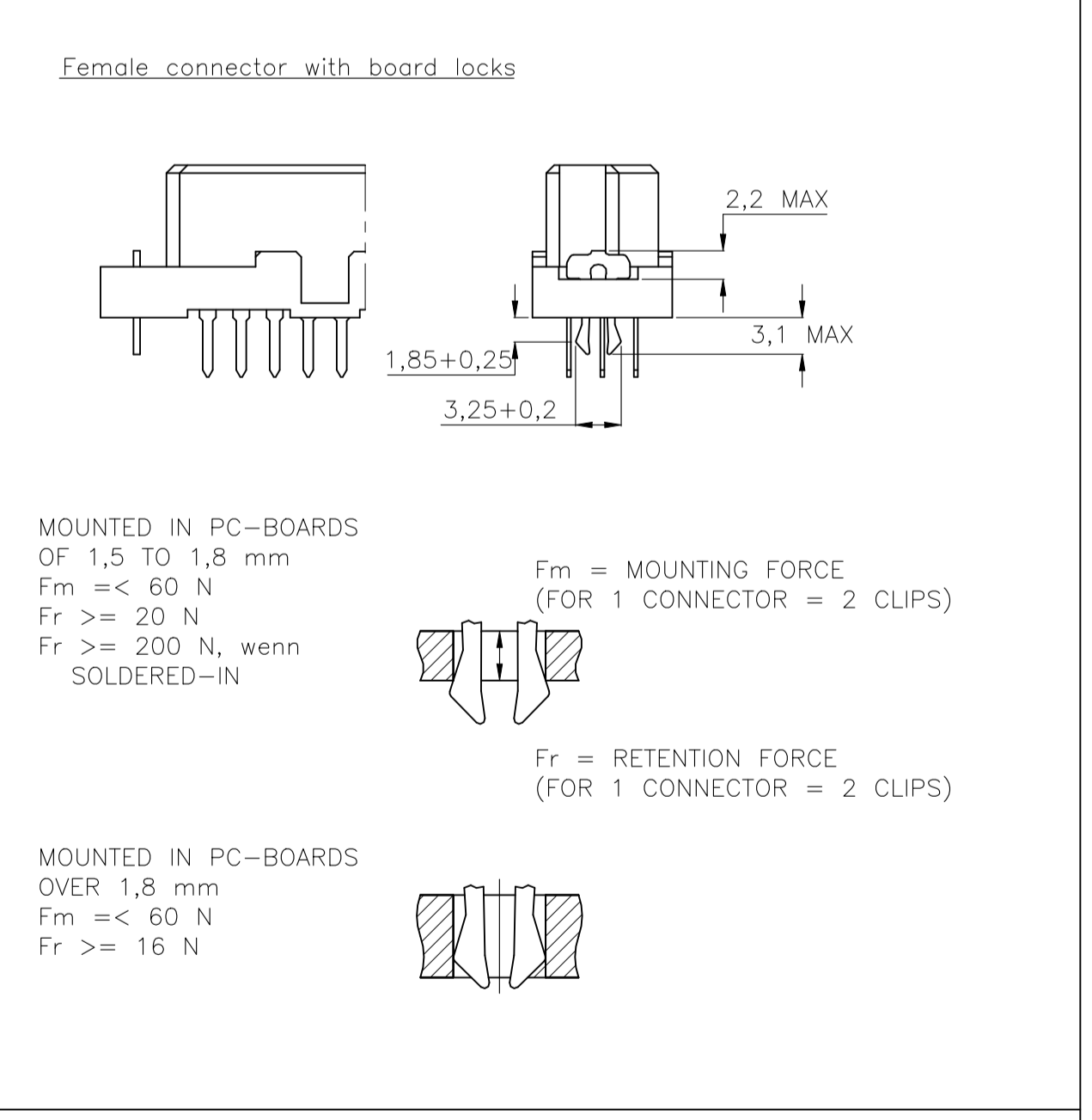
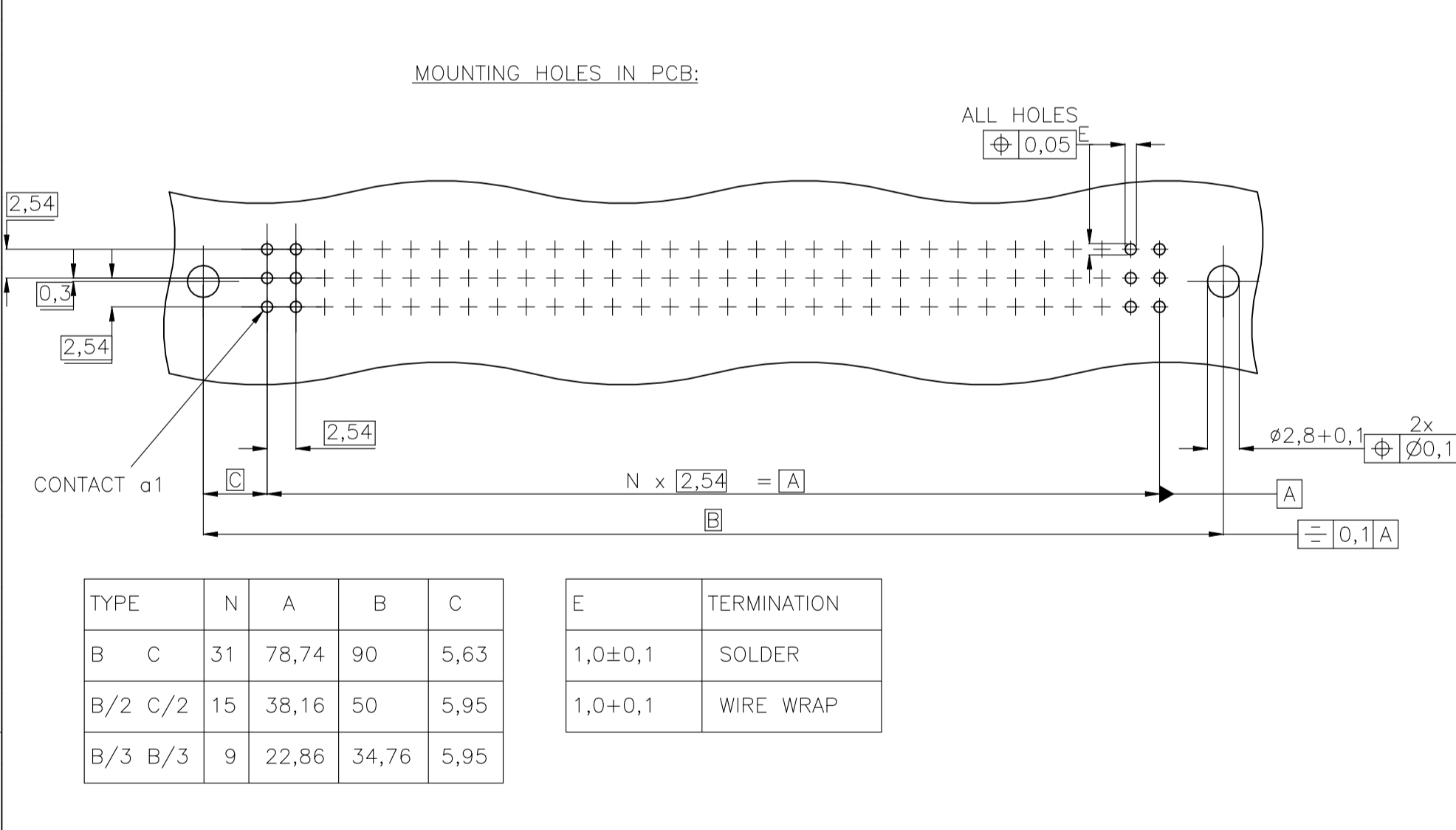
SOLDER TERMINATIONS

0,76-0,08
30°
R3,00
0,15±0,1
0,3

WIRE WRAP TERMINATIONS AND SOLDER TERMINATION

0,25MAX
0,25MAX
0,86-0,1

BURRHEIGHT MAX 0,02
RADIUS OF EDGS MAX 0,05



THIS DRAWING IS A CONTROLLED DOCUMENT.

DIMENSIONS:	TOLERANCES UNLESS OTHERWISE SPECIFIED:	DIN	14FEB89
mm	0. PLC ± -	CUVELLIER	
	1. PLC ± -	CIK	
	2. PLC ± -	APVD	
	3. PLC ± -	NAME	
	4. PLC ± -	PRODUCT SPEC	
	ANGLES ± -	APPLICATION SPEC	
MATERIAL	FINISH	SIZE	CAGE CODE DRAWING NO
		WEIGHT	RESTRICTED TO
		CUSTOMER DRAWING	A1 00779 ©=1393640-1

REC ASSEMBLY EUROCARD
TYPES B,C AND SHORT VERSIONS
(PN:V42254-B2***-C***-7626)

SCALE NTS SHEET 1 of 2 REV C

Table with columns: P, LTR, DESCRIPTION, DATE, DWN, APVD. Row 1: SEE SHEET 1, -, -, -

Main table with columns: PRODUCT DESCRIPTION CODE, TE P/N, STYLE & NUMBER OF POSITIONS, TERMINATION POSTS, LOADED ROWS, PERFORMANCE LEVEL, BOARD LOCKS. Contains rows 1-100.

Main table with columns: PRODUCT DESCRIPTION CODE, TE P/N, STYLE & NUMBER OF POSITIONS, TERMINATION POSTS, LOADED ROWS, PERFORMANCE LEVEL, BOARD LOCKS. Contains rows 101-200.

Technical drawing footer including dimensions (mm), material, finish, and STC logo with TE Connectivity text. Includes drawing number 00779 and drawing code C=1393640-1.

3) ACCORDING TO BT 236 LEVEL 2.
2) CONNECTORS HAVE A FLUX-TIGHT COATING.
1) NO COMPANY NAME MARKED ON THE CONNECTOR.

ACTIVE PART NUMBERS.
CONTACT TE FOR OTHER CONFIGURATION AVAILABILITY

Mouser Electronics

Authorized Distributor

Click to View Pricing, Inventory, Delivery & Lifecycle Information:

[TE Connectivity:](#)

[1393640-7](#)